

# **Advanced Configuration and Power Interface Specification**

**Hewlett-Packard Corporation  
Intel Corporation  
Microsoft Corporation  
Phoenix Technologies Ltd.  
Toshiba Corporation**

**Revision 4.0a  
April 5, 2010**

Copyright © 1996-2010, Hewlett-Packard Corporation, Intel Corporation, Microsoft Corporation, Phoenix Technologies Ltd., Toshiba Corporation  
All rights reserved.

**INTELLECTUAL PROPERTY DISCLAIMER**

**THIS SPECIFICATION IS PROVIDED “AS IS” WITH NO WARRANTIES WHATSOEVER INCLUDING ANY WARRANTY OF MERCHANTABILITY, FITNESS FOR ANY PARTICULAR PURPOSE, OR ANY WARRANTY OTHERWISE ARISING OUT OF ANY PROPOSAL, SPECIFICATION, OR SAMPLE.**

**NO LICENSE, EXPRESS OR IMPLIED, BY ESTOPPEL OR OTHERWISE, TO ANY INTELLECTUAL PROPERTY RIGHTS IS GRANTED OR INTENDED HEREBY.**

**HP, INTEL, MICROSOFT, PHOENIX, AND TOSHIBA DISCLAIM ALL LIABILITY, INCLUDING LIABILITY FOR INFRINGEMENT OF PROPRIETARY RIGHTS, RELATING TO IMPLEMENTATION OF INFORMATION IN THIS SPECIFICATION. HP, INTEL, MICROSOFT, PHOENIX, AND TOSHIBA DO NOT WARRANT OR REPRESENT THAT SUCH IMPLEMENTATION(S) WILL NOT INFRINGE SUCH RIGHTS.**

Microsoft, Win32, Windows, and Windows NT are registered trademarks of Microsoft Corporation.  
All other product names are trademarks, registered trademarks, or service marks of their respective owners.

Revision	Change Description	Affected Sections
4.0a Apr. 2010	<p>Errata corrected and clarifications added.</p> <p>Removed text concerning government requirement of mechanical off</p> <p>Clarified URL update document, Corrected section references for APIC, SLIT, SRAT in Table 5-5, Update URLs and reformatted Table 5-6</p> <p>Corrected reference to Interrupt Source Override Structure</p> <p>Corrected name for CPEP table</p> <p>Corrected reference to SMBus, should be IPMI</p> <p>Clarified BusCheck and DeviceCheck notifications in Table 5-53</p> <p>Added link to non-ACPI Plug and Play ID reference document</p> <p>Added missing _ATT and _GAI names, Corrected page/section references in Table 5-67</p> <p>Corrected EndTag name value. Was 0x78, correct value is 0x79 Table 6-33</p> <p>Consumer/Producer bit is ignored (Restored 2.0C change that had been lost)</p> <p>Clarified use of _GLK (Global Lock) object</p> <p>Corrected definition of _TSD object</p> <p>Corrected definition of _PSD object</p> <p>Corrected table name (CPEP)</p> <p>Corrected “maximum positive adjustment” value. Was 500%, correct value is 50%, Updated description of example – 300 to 400 lux, Eliminated hardcoded package lengths in examples, Changed “brightness” to “highest ambient light value”</p> <p>Corrected reference to _IDE, should be _GTM. Corrected table reference</p> <p>Clarified GPE Block Device Description</p> <p>Corrected _PLD object examples</p> <p>Repaired diagram that would not display properly Figure 10-2</p> <p>Added missing _BCT method to Table 10-3</p> <p>Clarified that OEM Information field should contain NULL string if not supported in Table 10-4 &amp; Table 10-5</p> <p>Corrected description of _BTM arguments and return value</p> <p>Clarified description of _BCT return value</p> <p>Corrected HID for Power Source device. Was ACPI0003, correct value is ACPI0004</p> <p>Corrected _PIF example. First package element was a Buffer, should be Integer, Clarified that OEM Information field should contain NULL string if not supported Table 10-10</p> <p>Corrected description of _SHL method Table 10-11</p> <p>Clarified _PRL return value, a list of References</p> <p>Corrected _PMC example. First package element was a Buffer, should be Integer</p>	<p>2.2</p> <p>5.2.6</p> <p>5.2.12.4</p> <p>5.2.18</p> <p>5.5.2.4.3.1</p> <p>5.6.5</p> <p>5.6.6</p> <p>5.6.7</p> <p>6.4.2.8</p> <p>6.4.3.5.1,2,3</p> <p>6.5.7</p> <p>8.4.3.4</p> <p>8.4.4.5</p> <p>8.4.5</p> <p>9.2.5</p> <p>9.8.2.1.1</p> <p>9.10</p> <p>9.13</p> <p>10.1.3.1</p> <p>10.2.2</p> <p>10.2.1.1-2</p> <p>10.2.2.8</p> <p>10.2.2.9</p> <p>10.3</p> <p>10.3.3</p> <p>10.4</p> <p>10.3.4</p> <p>10.4.1</p>

Revision	Change Description	Affected Sections
	Clarified that OEM Information field should contain NULL string if not supported Table 10-12	10.4.1
	Removed “TODO” note. Updated example	10.5
	Repaired diagram that would not display properly Figure 15-1	15.1
	Corrected error conditions from “fatal” to “corrected	17.1
	Corrected several incorrect section references, Clarified number of Generic Error Data Entry structures is >=1 (not Zero)	17.3.1
	Clarified number of Generic Error Data Entry structures is >=1 (not Zero)	17.3.2.6.1
	Added new section clarifying SCI notification for generic error sources	17.3.2.6.2
	Added new section describing Firmware First error handling	17.4
	Clarified purpose of the codes Table 17-17	17.5.1.1
	Added reference to table of COMMAND_STATUS codes Table 17-23	17.6.1
	Clarified purpose of the command status codes in Table 17-27 and the error type definitions in Table 17-28	17.6.3
	Added _ATT resource descriptor field name	18.1.8
	Clarified rules for Buffer vs. Integer return types from a field unit	18.5.44,89
	Corrected section/page reference	18.5.101
4.0 June 2009	Major specification revision. Clock Domains, x2APIC Support, Logical Processor Idling, Corrected Platform Error Polling Table, Maximum System Characteristics Table, Power Metering and Budgeting, IPMI Operation Region, USB3 Support in _PLD, Re-evaluation of _PPC acknowledgement via _OST, Thermal Model Enhancements, _OSC at \_SB, Wake Alarm Device, Battery Related Extensions, Memory Bandwidth Monitoring and Reporting, ACPI Hardware Error Interfaces, D3hot.	
3.0b Oct. 2006	Errata corrected and clarifications added.	
3.0a Dec. 2005	Errata corrected and clarifications added.	
3.0 Sept. 2004	Major specification revision. General configuration enhancements. Inter-Processor power, performance, and throttling state dependency support added. Support for > 256 processors added. NUMA Distancing support added. PCI Express support added. SATA support added. Ambient Light Sensor and User Presence device support added. Thermal model extended beyond processor-centric support.	
2.0c Aug. 2003	Errata corrected and clarifications added.	
2.0b Oct. 2002	Errata corrected and clarifications added.	
2.0a Mar. 2002	Errata corrected and clarifications added. ACPI 2.0 Errata Document Revision 1.0 through 1.5 integrated.	
ACPI 2.0	Errata corrected and clarifications added.	

<b>Revision</b>	<b>Change Description</b>	<b>Affected Sections</b>
Errata Doc. Rev. 1.5		
ACPI 2.0 Errata Doc. Rev. 1.4	Errata corrected and clarifications added.	
ACPI 2.0 Errata Doc. Rev. 1.3	Errata corrected and clarifications added.	
ACPI 2.0 Errata Doc. Rev. 1.2	Errata corrected and clarifications added.	
ACPI 2.0 Errata Doc. Rev. 1.1	Errata corrected and clarifications added.	
ACPI 2.0 Errata Doc. Rev. 1.0	Errata corrected and clarifications added.	
2.0 Aug. 2000	Major specification revision. 64-bit addressing support added. Processor and device performance state support added. Numerous multiprocessor workstation and server-related enhancements. Consistency and readability enhancements throughout.	
1.0b Feb. 1999	Errata corrected and clarifications added. New interfaces added.	
1.0a Jul. 1998	Errata corrected and clarifications added. New interfaces added.	
1.0 Dec. 1996	Original Release.	

# Contents

<b>1 INTRODUCTION .....</b>	<b>21</b>
<b>1.1 Principal Goals .....</b>	<b>21</b>
<b>1.2 Power Management Rationale .....</b>	<b>22</b>
<b>1.3 Legacy Support.....</b>	<b>23</b>
<b>1.4 OEM Implementation Strategy.....</b>	<b>23</b>
<b>1.5 Power and Sleep Buttons .....</b>	<b>23</b>
<b>1.6 ACPI Specification and the Structure Of ACPI .....</b>	<b>24</b>
<b>1.7 OS and Platform Compliance .....</b>	<b>25</b>
1.7.1 Platform Implementations of ACPI-defined Interfaces .....	25
1.7.2 OSPM Implementations .....	28
1.7.3 OS Requirements.....	29
<b>1.8 Target Audience .....</b>	<b>29</b>
<b>1.9 Document Organization.....</b>	<b>29</b>
1.9.1 ACPI Introduction and Overview .....	30
1.9.2 Programming Models .....	30
1.9.3 Implementation Details.....	30
1.9.4 Technical Reference .....	31
<b>1.10 Related Documents.....</b>	<b>31</b>
<b>2 DEFINITION OF TERMS .....</b>	<b>33</b>
<b>2.1 General ACPI Terminology .....</b>	<b>33</b>
<b>2.2 Global System State Definitions .....</b>	<b>39</b>
<b>2.3 Device Power State Definitions.....</b>	<b>41</b>
<b>2.4 Sleeping State Definitions .....</b>	<b>42</b>
<b>2.5 Processor Power State Definitions .....</b>	<b>42</b>
<b>2.6 Device and Processor Performance State Definitions.....</b>	<b>43</b>
<b>3 ACPI OVERVIEW.....</b>	<b>45</b>
<b>3.1 System Power Management .....</b>	<b>46</b>
<b>3.2 Power States.....</b>	<b>47</b>
3.2.1 Power Button .....	48
3.2.2 Platform Power Management Characteristics .....	48
<b>3.3 Device Power Management .....</b>	<b>49</b>
3.3.1 Power Management Standards .....	49
3.3.2 Device Power States .....	49
3.3.3 Device Power State Definitions.....	50
<b>3.4 Controlling Device Power.....</b>	<b>50</b>
3.4.1 Getting Device Power Capabilities.....	50
3.4.2 Setting Device Power States.....	50
3.4.3 Getting Device Power Status .....	51
3.4.4 Waking the Computer.....	51
3.4.5 Example: Modem Device Power Management .....	53
<b>3.5 Processor Power Management .....</b>	<b>56</b>
<b>3.6 Device and Processor Performance States .....</b>	<b>56</b>
<b>3.7 Configuration and “Plug and Play”.....</b>	<b>56</b>
3.7.1 Device Configuration Example: Configuring the Modem.....	57
3.7.2 NUMA Nodes.....	57
<b>3.8 System Events.....</b>	<b>57</b>
<b>3.9 Battery Management.....</b>	<b>58</b>
3.9.1 Battery Communications .....	58
3.9.2 Battery Capacity .....	59
3.9.3 Battery Gas Gauge.....	59

3.9.4 Low Battery Levels .....	59
3.9.5 Battery Calibration .....	62
<b>3.10 Thermal Management.....</b>	<b>63</b>
3.10.1 Active and Passive Cooling Modes .....	64
3.10.2 Performance vs. Energy Conservation.....	64
3.10.3 Acoustics (Noise) .....	64
3.10.4 Multiple Thermal Zones .....	64
<b>4 ACPI HARDWARE SPECIFICATION.....</b>	<b>65</b>
<b>4.1 Fixed Hardware Programming Model .....</b>	<b>65</b>
4.1.1 Functional Fixed Hardware .....	65
<b>4.2 Generic Hardware Programming Model .....</b>	<b>66</b>
<b>4.3 Diagram Legends .....</b>	<b>68</b>
<b>4.4 Register Bit Notation.....</b>	<b>69</b>
<b>4.5 The ACPI Hardware Model .....</b>	<b>69</b>
4.5.1 Hardware Reserved Bits .....	72
4.5.2 Hardware Ignored Bits.....	72
4.5.3 Hardware Write-Only Bits.....	73
4.5.4 Cross Device Dependencies .....	73
<b>4.6 ACPI Hardware Features.....</b>	<b>73</b>
<b>4.7 ACPI Register Model.....</b>	<b>75</b>
4.7.1 ACPI Register Summary .....	78
4.7.2 Fixed Hardware Features .....	80
4.7.3 Fixed Hardware Registers .....	89
4.7.4 Generic Hardware Registers .....	97
<b>5 ACPI SOFTWARE PROGRAMMING MODEL .....</b>	<b>105</b>
<b>5.1 Overview of the System Description Table Architecture .....</b>	<b>105</b>
5.1.1 Address Space Translation .....	107
<b>5.2 ACPI System Description Tables .....</b>	<b>109</b>
5.2.1 Reserved Bits and Fields .....	109
5.2.2 Compatibility.....	110
5.2.3 Address Format .....	110
5.2.4 Universal Uniform Identifiers (UUID) .....	111
5.2.5 Root System Description Pointer (RSDP).....	111
5.2.6 System Description Table Header .....	113
5.2.7 Root System Description Table (RSDT) .....	116
5.2.8 Extended System Description Table (XSDT).....	117
5.2.9 Fixed ACPI Description Table (FADT) .....	118
5.2.10 Firmware ACPI Control Structure (FACS) .....	128
5.2.11 Definition Blocks.....	134
5.2.12 Multiple APIC Description Table (MADT).....	136
5.2.13 Global System Interrupts .....	147
5.2.14 Smart Battery Table (SBST).....	149
5.2.15 Embedded Controller Boot Resources Table (ECDT).....	149
5.2.16 System Resource Affinity Table (SRAT) .....	151
5.2.17 System Locality Distance Information Table (SLIT) .....	155
5.2.18 Corrected Platform Error Polling Table (CPEP).....	156
5.2.19 Maximum System Characteristics Table (MSCT) .....	157
<b>5.3 ACPI Namespace.....</b>	<b>160</b>
5.3.1 Predefined Root Namespaces .....	162
5.3.2 Objects.....	162
<b>5.4 Definition Block Encoding.....</b>	<b>162</b>
<b>5.5 Using the ACPI Control Method Source Language .....</b>	<b>164</b>
5.5.1 ASL Statements .....	164
5.5.2 Control Method Execution .....	165
<b>5.6 ACPI Event Programming Model .....</b>	<b>172</b>

5.6.1 ACPI Event Programming Model Components.....	172
5.6.2 Types of ACPI Events.....	173
5.6.3 Fixed Event Handling.....	174
5.6.4 General-Purpose Event Handling.....	175
5.6.5 Device Object Notifications.....	178
5.6.6 Device Class-Specific Objects.....	183
5.6.7 Predefined ACPI Names for Objects, Methods, and Resources.....	185
<b>5.7 Predefined Objects.....</b>	<b>193</b>
5.7.1 \_GL (Global Lock Mutex).....	193
5.7.2 \_OSI (Operating System Interfaces).....	193
5.7.3 \_OS (OS Name Object).....	196
5.7.4 \_REV (Revision Data Object).....	197
<b>5.8 System Configuration Objects.....</b>	<b>197</b>
5.8.1 \_PIC Method.....	197
<b>6 DEVICE CONFIGURATION.....</b>	<b>199</b>
<b>6.1 Device Identification Objects.....</b>	<b>199</b>
6.1.1 \_ADR (Address).....	200
6.1.2 \_CID (Compatible ID).....	201
6.1.3 \_DDN (DOS Device Name).....	201
6.1.4 \_HID (Hardware ID).....	202
6.1.5 \_MLS (Multiple Language String).....	202
6.1.6 \_PLD (Physical Device Location).....	203
6.1.7 \_STR (String).....	209
6.1.8 \_SUN (Slot User Number).....	210
6.1.9 \_UID (Unique ID).....	210
<b>6.2 Device Configuration Objects.....</b>	<b>210</b>
6.2.1 \_CDM (Clock Domain).....	211
6.2.2 \_CRS (Current Resource Settings).....	212
6.2.3 \_DIS (Disable).....	212
6.2.4 \_DMA (Direct Memory Access).....	212
6.2.5 \_FIX (Fixed Register Resource Provider).....	215
6.2.6 \_GSB (Global System Interrupt Base).....	216
6.2.7 \_HPP (Hot Plug Parameters).....	217
6.2.8 \_HPX (Hot Plug Parameter Extensions).....	219
6.2.9 \_MAT (Multiple APIC Table Entry).....	224
6.2.10 \_OSC (Operating System Capabilities).....	225
6.2.11 \_PRS (Possible Resource Settings).....	233
6.2.12 \_PRT (PCI Routing Table).....	233
6.2.13 \_PXM (Proximity).....	236
6.2.14 \_SLI (System Locality Information).....	236
6.2.15 \_SRS (Set Resource Settings).....	239
<b>6.3 Device Insertion, Removal, and Status Objects.....</b>	<b>239</b>
6.3.1 \_EDL (Eject Device List).....	241
6.3.2 \_EJD (Ejection Dependent Device).....	241
6.3.3 \_EJx (Eject).....	243
6.3.4 \_LCK (Lock).....	243
6.3.5 \_OST (OSPM Status Indication).....	244
6.3.6 \_RMV (Remove).....	248
6.3.7 \_STA (Status).....	248
<b>6.4 Resource Data Types for ACPI.....</b>	<b>249</b>
6.4.1 ASL Macros for Resource Descriptors.....	249
6.4.2 Small Resource Data Type.....	249
6.4.3 Large Resource Data Type.....	254
<b>6.5 Other Objects and Control Methods.....</b>	<b>276</b>
6.5.1 \_INI (Init).....	276
6.5.2 \_DCK (Dock).....	277



6.5.3	_BDN (BIOS Dock Name)	277
6.5.4	_REG (Region)	277
6.5.5	_BBN (Base Bus Number)	279
6.5.6	_SEG (Segment)	279
6.5.7	_GLK (Global Lock)	281
<b>7</b>	<b>POWER AND PERFORMANCE MANAGEMENT</b>	<b>283</b>
<b>7.1</b>	<b>Declaring a Power Resource Object</b>	<b>283</b>
7.1.1	Defined Child Objects for a Power Resource	284
7.1.2	_OFF	284
7.1.3	_ON	285
7.1.4	_STA (Status)	285
<b>7.2</b>	<b>Device Power Management Objects</b>	<b>285</b>
7.2.1	_DSW (Device Sleep Wake)	287
7.2.2	_PS0 (Power State 0)	287
7.2.3	_PS1 (Power State 1)	288
7.2.4	_PS2 (Power State 2)	288
7.2.5	_PS3 (Power State 3)	288
7.2.6	_PSC (Power State Current)	288
7.2.7	_PR0 (Power Resources for D0)	289
7.2.8	_PR1 (Power Resources for D1)	289
7.2.9	_PR2 (Power Resources for D2)	290
7.2.10	_PR3 (Power Resources for D3hot)	290
7.2.11	_PRW (Power Resources for Wake)	290
7.2.12	_PSW (Power State Wake)	291
7.2.13	_IRC (In Rush Current)	292
7.2.14	_S1D (S1 Device State)	292
7.2.15	_S2D (S2 Device State)	293
7.2.16	_S3D (S3 Device State)	293
7.2.17	_S4D (S4 Device State)	294
7.2.18	_S0W (S0 Device Wake State)	295
7.2.19	_S1W (S1 Device Wake State)	295
7.2.20	_S2W (S2 Device Wake State)	295
7.2.21	_S3W (S3 Device Wake State)	295
7.2.22	_S4W (S4 Device Wake State)	296
<b>7.3</b>	<b>OEM-Supplied System-Level Control Methods</b>	<b>296</b>
7.3.1	_BFS (Back From Sleep)	296
7.3.2	_PTS (Prepare To Sleep)	297
7.3.3	_GTS (Going To Sleep)	297
7.3.4	System \_Sx states	298
7.3.5	_SWS (System Wake Source)	302
7.3.6	_TTS (Transition To State)	303
7.3.7	_WAK (System Wake)	303
<b>7.4</b>	<b>OSPM usage of _GTS, _PTS, _TTS, _WAK, and _BFS</b>	<b>304</b>
<b>8</b>	<b>PROCESSOR CONFIGURATION AND CONTROL</b>	<b>307</b>
<b>8.1</b>	<b>Processor Power States</b>	<b>307</b>
8.1.1	Processor Power State C0	309
8.1.2	Processor Power State C1	311
8.1.3	Processor Power State C2	311
8.1.4	Processor Power State C3	311
8.1.5	Additional Processor Power States	312
<b>8.2</b>	<b>Flushing Caches</b>	<b>312</b>
<b>8.3</b>	<b>Power, Performance, and Throttling State Dependencies</b>	<b>313</b>
<b>8.4</b>	<b>Declaring Processors</b>	<b>313</b>
8.4.1	_PDC (Processor Driver Capabilities)	314
8.4.2	Processor Power State Control	315

8.4.3 Processor Throttling Controls.....	320
8.4.4 Processor Performance Control.....	326
8.4.5 _PPE (Polling for Platform Errors).....	333
<b>8.5 Processor Aggregator Device.....</b>	<b>333</b>
8.5.1 Logical Processor Idling.....	333
<b>9 ACPI-DEFINED DEVICES AND DEVICE SPECIFIC OBJECTS.....</b>	<b>335</b>
<b>9.1 \_SI System Indicators.....</b>	<b>335</b>
9.1.1 _SST (System Status).....	335
9.1.2 _MSG (Message).....	335
9.1.3 _BLT (Battery Level Threshold).....	335
<b>9.2 Ambient Light Sensor Device.....</b>	<b>336</b>
9.2.1 Overview.....	336
9.2.2 _ALI (Ambient Light Illuminance).....	337
9.2.3 _ALT (Ambient Light Temperature).....	337
9.2.4 _ALC (Ambient Light Color Chromaticity).....	337
9.2.5 _ALR (Ambient Light Response).....	338
9.2.6 _ALP (Ambient Light Polling).....	342
9.2.7 Ambient Light Sensor Events.....	342
9.2.8 Relationship to Backlight Control Methods.....	342
<b>9.3 Battery Device.....</b>	<b>343</b>
<b>9.4 Control Method Lid Device.....</b>	<b>343</b>
9.4.1 _LID.....	343
<b>9.5 Control Method Power and Sleep Button Devices.....</b>	<b>343</b>
<b>9.6 Embedded Controller Device.....</b>	<b>344</b>
<b>9.7 Generic Container Device.....</b>	<b>344</b>
<b>9.8 ATA Controller Devices.....</b>	<b>344</b>
9.8.1 Objects for Both ATA and SATA Controllers.....	345
9.8.2 IDE Controller Device.....	346
9.8.3 Serial ATA (SATA) Controller Device.....	348
<b>9.9 Floppy Controller Device Objects.....</b>	<b>350</b>
9.9.1 _FDE (Floppy Disk Enumerate).....	350
9.9.2 _FDI (Floppy Disk Information).....	351
9.9.3 _FDM (Floppy Disk Drive Mode).....	352
<b>9.10 GPE Block Device.....</b>	<b>352</b>
9.10.1 Matching Control Methods for General-Purpose Events in a GPE Block Device.....	353
<b>9.11 Module Device.....</b>	<b>353</b>
9.11.1 Describing PCI Bus and Segment Group Numbers under Module Devices.....	355
<b>9.12 Memory Devices.....</b>	<b>357</b>
9.12.1 Address Decoding.....	358
9.12.2 Memory Bandwidth Monitoring and Reporting.....	358
9.12.3 _OSC Definition for Memory Device.....	359
9.12.4 Example: Memory Device.....	360
<b>9.13 _UPC (USB Port Capabilities).....</b>	<b>360</b>
9.13.1 USB 2.0 Host Controllers and _UPC and _PLD.....	364
<b>9.14 Device Object Name Collision.....</b>	<b>366</b>
9.14.1 _DSM (Device Specific Method).....	366
<b>9.15 PC/AT RTC/CMOS Devices.....</b>	<b>369</b>
9.15.1 PC/AT-compatible RTC/CMOS Devices (PNP0B00).....	369
9.15.2 Intel PIIX4-compatible RTC/CMOS Devices (PNP0B01).....	370
9.15.3 Dallas Semiconductor-compatible RTC/CMOS Devices (PNP0B02).....	371
<b>9.16 User Presence Detection Device.....</b>	<b>371</b>
9.16.1 _UPD (User Presence Detect).....	372
9.16.2 _UPP (User Presence Polling).....	372
9.16.3 User Presence Sensor Events.....	372
<b>9.17 I/O APIC Device.....</b>	<b>372</b>

<b>9.18 Wake Alarm Device .....</b>	<b>373</b>
9.18.1 Overview .....	373
9.18.2 _STP (Set Expired Timer Wake Policy).....	375
9.18.3 _STV (Set Timer Value).....	376
9.18.4 _TIP (Expired Timer Wake Policy).....	376
9.18.5 _TIV (Timer Values).....	376
9.18.6 ACPI Wakeup Alarm Events.....	376
9.18.7 Relationship to Real Time Clock Alarm.....	376
9.18.8 Example ASL code.....	377
<b>10 POWER SOURCE AND POWER METER DEVICES.....</b>	<b>379</b>
<b>10.1 Smart Battery Subsystems.....</b>	<b>379</b>
10.1.1 ACPI Smart Battery Status Change Notification Requirements .....	381
10.1.2 Smart Battery Objects.....	382
10.1.3 _SBS (Smart Battery Subsystem) .....	382
<b>10.2 Control Method Batteries .....</b>	<b>385</b>
10.2.1 Battery Events .....	385
10.2.2 Battery Control Methods .....	386
<b>10.3 AC Adapters and Power Source Objects.....</b>	<b>398</b>
10.3.1 _PSR (Power Source).....	398
10.3.2 _PCL (Power Consumer List) .....	399
10.3.3 _PIF (Power Source Information).....	399
10.3.4 _PRL (Power Source Redundancy List).....	400
<b>10.4 Power Meters.....</b>	<b>400</b>
10.4.1 _PMC (Power Meter Capabilities) .....	400
10.4.2 _PTP (Power Trip Points).....	402
10.4.3 _PMM (Power Meter Measurement).....	403
10.4.4 _PAI (Power Averaging Interval).....	403
10.4.5 _GAI (Get Averaging Interval) .....	403
10.4.6 _SHL (Set Hardware Limit) .....	404
10.4.7 _GHL (Get Hardware Limit) .....	404
10.4.8 _PMD (Power Metered Devices).....	404
<b>10.5 Example: Power Source and Power Meter Namespace .....</b>	<b>405</b>
<b>11 THERMAL MANAGEMENT .....</b>	<b>407</b>
<b>11.1 Thermal Control.....</b>	<b>407</b>
11.1.1 Active, Passive, and Critical Policies .....	408
11.1.2 Dynamically Changing Cooling Temperature Trip Points.....	409
11.1.3 Detecting Temperature Changes.....	410
11.1.4 Active Cooling .....	412
11.1.5 Passive Cooling.....	412
11.1.6 Critical Shutdown.....	414
<b>11.2 Cooling Preferences.....</b>	<b>415</b>
11.2.1 Evaluating Thermal Device Lists .....	416
11.2.2 Evaluating Device Thermal Relationship Information .....	417
11.2.3 Fan Device Notifications .....	417
<b>11.3 Fan Device.....</b>	<b>417</b>
11.3.1 Fan Objects.....	417
<b>11.4 Thermal Objects.....</b>	<b>421</b>
11.4.1 _ACx (Active Cooling).....	422
11.4.2 _ALx (Active List) .....	422
11.4.3 _ART (Active Cooling Relationship Table).....	423
11.4.4 _CRT (Critical Temperature) .....	425
11.4.5 _DTI (Device Temperature Indication) .....	425
11.4.6 _HOT (Hot Temperature).....	425
11.4.7 _NTT (Notification Temperature Threshold) .....	426
11.4.8 _PSL (Passive List) .....	426

11.4.9 _PSV (Passive) .....	426
11.4.10 _RTV (Relative Temperature Values) .....	426
11.4.11 _SCP (Set Cooling Policy) .....	427
11.4.12 _TC1 (Thermal Constant 1).....	429
11.4.13 _TC2 (Thermal Constant 2).....	430
11.4.14 _TMP (Temperature).....	430
11.4.15 _TPT (Trip Point Temperature).....	430
11.4.16 _TRT (Thermal Relationship Table) .....	430
11.4.17 _TSP (Thermal Sampling Period).....	431
11.4.18 _TST (Temperature Sensor Threshold) .....	431
11.4.19 _TZD (Thermal Zone Devices) .....	432
11.4.20 _TZM (Thermal Zone Member).....	432
11.4.21 _TZP (Thermal Zone Polling) .....	432
<b>11.5 Native OS Device Driver Thermal Interfaces .....</b>	<b>433</b>
<b>11.6 Thermal Zone Interface Requirements .....</b>	<b>433</b>
<b>11.7 Thermal Zone Examples.....</b>	<b>434</b>
11.7.1 Example: The Basic Thermal Zone .....	434
11.7.2 Example: Multiple-Speed Fans.....	435
11.7.3 Example: Thermal Zone with Multiple Devices .....	436
<b>12 ACPI EMBEDDED CONTROLLER INTERFACE SPECIFICATION .....</b>	<b>443</b>
<b>12.1 Embedded Controller Interface Description.....</b>	<b>443</b>
<b>12.2 Embedded Controller Register Descriptions .....</b>	<b>446</b>
12.2.1 Embedded Controller Status, EC_SC (R).....	447
12.2.2 Embedded Controller Command, EC_SC (W).....	448
12.2.3 Embedded Controller Data, EC_DATA (R/W) .....	448
<b>12.3 Embedded Controller Command Set .....</b>	<b>448</b>
12.3.1 Read Embedded Controller, RD_EC (0x80).....	448
12.3.2 Write Embedded Controller, WR_EC (0x81).....	448
12.3.3 Burst Enable Embedded Controller, BE_EC (0x82).....	449
12.3.4 Burst Disable Embedded Controller, BD_EC (0x83) .....	449
12.3.5 Query Embedded Controller, QR_EC (0x84).....	449
<b>12.4 SMBus Host Controller Notification Header (Optional), OS_SMB_EVT.....</b>	<b>450</b>
<b>12.5 Embedded Controller Firmware.....</b>	<b>450</b>
<b>12.6 Interrupt Model.....</b>	<b>450</b>
12.6.1 Event Interrupt Model .....	451
12.6.2 Command Interrupt Model .....	451
<b>12.7 Embedded Controller Interfacing Algorithms.....</b>	<b>451</b>
<b>12.8 Embedded Controller Description Information .....</b>	<b>452</b>
<b>12.9 SMBus Host Controller Interface via Embedded Controller .....</b>	<b>452</b>
12.9.1 Register Description .....	452
12.9.2 Protocol Description .....	456
12.9.3 SMBus Register Set.....	460
<b>12.10 SMBus Devices .....</b>	<b>462</b>
12.10.1 SMBus Device Access Restrictions.....	462
12.10.2 SMBus Device Command Access Restriction.....	462
<b>12.11 Defining an Embedded Controller Device in ACPI Namespace.....</b>	<b>462</b>
12.11.1 Example: EC Definition ASL Code.....	463
<b>12.12 Defining an EC SMBus Host Controller in ACPI Namespace .....</b>	<b>463</b>
12.12.1 Example: EC SMBus Host Controller ASL-Code .....	464
<b>13 ACPI SYSTEM MANAGEMENT BUS INTERFACE SPECIFICATION .....</b>	<b>465</b>
<b>13.1 SMBus Overview .....</b>	<b>465</b>
13.1.1 SMBus Slave Addresses.....	465
13.1.2 SMBus Protocols .....	465
13.1.3 SMBus Status Codes .....	466
13.1.4 SMBus Command Values .....	466

<b>13.2 Accessing the SMBus from ASL Code</b> .....	<b>467</b>
13.2.1 Declaring SMBus Host Controller Objects.....	467
13.2.2 Declaring SMBus Devices.....	467
13.2.3 Declaring SMBus Operation Regions.....	468
13.2.4 Declaring SMBus Fields.....	469
13.2.5 Declaring and Using an SMBus Data Buffer.....	471
<b>13.3 Using the SMBus Protocols</b> .....	<b>472</b>
13.3.1 Read/Write Quick (SMBQuick) .....	472
13.3.2 Send/Receive Byte (SMBSendReceive).....	472
13.3.3 Read/Write Byte (SMBByte).....	473
13.3.4 Read/Write Word (SMBWord).....	473
13.3.5 Read/Write Block (SMBBlock).....	474
13.3.6 Word Process Call (SMBProcessCall).....	475
13.3.7 Block Process Call (SMBBlockProcessCall).....	475
<b>14 SYSTEM ADDRESS MAP INTERFACES</b> .....	<b>477</b>
14.1 INT 15H, E820H - Query System Address Map .....	477
14.2 E820 Assumptions and Limitations .....	479
14.3 UEFI GetMemoryMap() Boot Services Function .....	480
14.4 UEFI Assumptions and Limitations .....	481
14.5 Example Address Map.....	481
14.6 Example: Operating System Usage.....	483
<b>15 WAKING AND SLEEPING</b> .....	<b>485</b>
<b>15.1 Sleeping States</b> .....	<b>486</b>
15.1.1 S1 Sleeping State .....	488
15.1.2 S2 Sleeping State .....	488
15.1.3 S3 Sleeping State .....	489
15.1.4 S4 Sleeping State .....	489
15.1.5 S5 Soft Off State.....	490
15.1.6 Transitioning from the Working to the Sleeping State .....	491
15.1.7 Transitioning from the Working to the Soft Off State .....	491
<b>15.2 Flushing Caches</b> .....	<b>491</b>
<b>15.3 Initialization</b> .....	<b>492</b>
15.3.1 Placing the System in ACPI Mode .....	494
15.3.2 BIOS Initialization of Memory .....	495
15.3.3 OS Loading .....	497
15.3.4 Exiting ACPI Mode .....	498
<b>16 NON-UNIFORM MEMORY ACCESS (NUMA) ARCHITECTURE PLATFORMS</b> .....	<b>499</b>
<b>16.1 NUMA Node</b> .....	<b>499</b>
<b>16.2 System Locality</b> .....	<b>499</b>
16.2.1 System Resource Affinity Table Definition.....	499
<b>16.3 System Locality Distance Information</b> .....	<b>500</b>
<b>17 ACPI PLATFORM ERROR INTERFACES (APEI)</b> .....	<b>503</b>
<b>17.1 Hardware Errors and Error Sources</b> .....	<b>503</b>
<b>17.2 Relationship between OSPM and System Firmware</b> .....	<b>504</b>
<b>17.3 Error Source Discovery</b> .....	<b>504</b>
17.3.1 Boot Error Source.....	504
17.3.2 ACPI Error Source .....	506
<b>17.4 Firmware First Error Handling</b> .....	<b>519</b>
17.4.1 Example: Firmware First Handling Using NMI Notification .....	519
<b>17.5 Error Serialization</b> .....	<b>519</b>
17.5.1 Serialization Action Table .....	520
17.5.2 Operations .....	526
<b>17.6 Error Injection</b> .....	<b>530</b>
17.6.1 Error Injection Table (EINJ).....	530

17.6.2 Injection Instruction Entries .....	532
17.6.3 Injection Instructions .....	533
17.6.4 Trigger Action Table .....	534
17.6.5 Error Injection Operation.....	534
<b>18 ACPI SOURCE LANGUAGE (ASL) REFERENCE.....</b>	<b>535</b>
<b>18.1 ASL Language Grammar .....</b>	<b>535</b>
18.1.1 ASL Grammar Notation .....	536
18.1.2 ASL Name and Pathname Terms.....	538
18.1.3 ASL Root and Secondary Terms .....	538
18.1.4 ASL Data and Constant Terms .....	539
18.1.5 ASL Opcode Terms .....	541
18.1.6 ASL Primary (Terminal) Terms .....	542
18.1.7 ASL Parameter Keyword Terms.....	551
18.1.8 ASL Resource Template Terms.....	552
<b>18.2 ASL Concepts .....</b>	<b>558</b>
18.2.1 ASL Names .....	558
18.2.2 ASL Literal Constants .....	558
18.2.3 ASL Resource Templates .....	560
18.2.4 ASL Macros .....	562
18.2.5 ASL Data Types .....	563
<b>18.3 ASL Operator Summary .....</b>	<b>574</b>
<b>18.4 ASL Operator Summary By Type .....</b>	<b>576</b>
<b>18.5 ASL Operator Reference .....</b>	<b>579</b>
18.5.1 Acquire (Acquire a Mutex).....	579
18.5.2 Add (Integer Add) .....	579
18.5.3 Alias (Declare Name Alias).....	580
18.5.4 And (Integer Bitwise And) .....	580
18.5.5 Argx (Method Argument Data Objects) .....	580
18.5.6 BankField (Declare Bank/Data Field) .....	580
18.5.7 Break (Break from While).....	581
18.5.8 BreakPoint (Execution Break Point).....	582
18.5.9 Buffer (Declare Buffer Object).....	582
18.5.10 Case (Expression for Conditional Execution).....	582
18.5.11 Concatenate (Concatenate Data).....	583
18.5.12 ConcatenateResTemplate (Concatenate Resource Templates) .....	583
18.5.13 CondRefOf (Create Object Reference Conditionally) .....	583
18.5.14 Continue (Continue Innermost Enclosing While).....	584
18.5.15 CopyObject (Copy and Store Object).....	584
18.5.16 CreateBitField (Create 1-Bit Buffer Field) .....	584
18.5.17 CreateByteField (Create 8-Bit Buffer Field) .....	585
18.5.18 CreateDWordField (Create 32-Bit Buffer Field) .....	585
18.5.19 CreateField (Create Arbitrary Length Buffer Field) .....	585
18.5.20 CreateQWordField (Create 64-Bit Buffer Field) .....	585
18.5.21 CreateWordField (Create 16-Bit Buffer Field).....	586
18.5.22 DataTableRegion (Create Data Table Operation Region) .....	586
18.5.23 Debug (Debugger Output) .....	587
18.5.24 Decrement (Integer Decrement) .....	587
18.5.25 Default (Default Execution Path in Switch) .....	587
18.5.26 DefinitionBlock (Declare Definition Block).....	588
18.5.27 DerefOf (Dereference an Object Reference) .....	588
18.5.28 Device (Declare Bus/Device Package) .....	588
18.5.29 Divide (Integer Divide) .....	590
18.5.30 DMA (DMA Resource Descriptor Macro).....	590
18.5.31 DWordIO (DWord IO Resource Descriptor Macro).....	591
18.5.32 DWordMemory (DWord Memory Resource Descriptor Macro).....	592
18.5.33 DWordSpace (DWord Space Resource Descriptor Macro).....	594

18.5.34 EISAID (EISA ID String To Integer Conversion Macro).....	595
18.5.35 Else (Alternate Execution).....	595
18.5.36 ElseIf (Alternate/Conditional Execution) .....	596
18.5.37 EndDependentFn (End Dependent Function Resource Descriptor Macro) .....	597
18.5.38 Event (Declare Event Synchronization Object).....	597
18.5.39 ExtendedIO (Extended IO Resource Descriptor Macro) .....	597
18.5.40 ExtendedMemory (Extended Memory Resource Descriptor Macro).....	599
18.5.41 ExtendedSpace (Extended Address Space Resource Descriptor Macro).....	600
18.5.42 External (Declare External Objects).....	601
18.5.43 Fatal (Fatal Error Check).....	602
18.5.44 Field (Declare Field Objects).....	602
18.5.45 FindSetLeftBit (Find First Set Left Bit).....	605
18.5.46 FindSetRightBit (Find First Set Right Bit) .....	605
18.5.47 FixedIO (Fixed IO Resource Descriptor Macro) .....	605
18.5.48 FromBCD (Convert BCD To Integer) .....	606
18.5.49 Function (Declare Control Method).....	606
18.5.50 If (Conditional Execution).....	607
18.5.51 Include (Include Additional ASL File).....	607
18.5.52 Increment (Integer Increment).....	608
18.5.53 Index (Indexed Reference To Member Object) .....	608
18.5.54 IndexField (Declare Index/Data Fields).....	610
18.5.55 Interrupt (Interrupt Resource Descriptor Macro).....	611
18.5.56 IO (IO Resource Descriptor Macro) .....	612
18.5.57 IRQ (Interrupt Resource Descriptor Macro).....	613
18.5.58 IRQNoFlags (Interrupt Resource Descriptor Macro).....	613
18.5.59 LAnd (Logical And) .....	614
18.5.60 LEqual (Logical Equal) .....	614
18.5.61 LGreater (Logical Greater) .....	614
18.5.62 LGreaterEqual (Logical Greater Than Or Equal) .....	615
18.5.63 LLess (Logical Less) .....	615
18.5.64 LLessEqual (Logical Less Than Or Equal).....	615
18.5.65 LNot (Logical Not).....	616
18.5.66 LNotEqual (Logical Not Equal) ) .....	616
18.5.67 Load (Load Definition Block) .....	616
18.5.68 LoadTable (Load Definition Block From XSDT) .....	617
18.5.69 Localx (Method Local Data Objects).....	618
18.5.70 LOr (Logical Or) .....	618
18.5.71 Match (Find Object Match) .....	618
18.5.72 Memory24 (Memory Resource Descriptor Macro) .....	619
18.5.73 Memory32 (Memory Resource Descriptor Macro) .....	620
18.5.74 Memory32Fixed (Memory Resource Descriptor Macro) .....	621
18.5.75 Method (Declare Control Method) .....	621
18.5.76 Mid (Extract Portion of Buffer or String).....	623
18.5.77 Mod (Integer Modulo).....	623
18.5.78 Multiply (Integer Multiply) .....	623
18.5.79 Mutex (Declare Synchronization/Mutex Object).....	624
18.5.80 Name (Declare Named Object).....	624
18.5.81 NAnd (Integer Bitwise Nand).....	625
18.5.82 NoOp Code (No Operation).....	625
18.5.83 NOr (Integer Bitwise Nor).....	625
18.5.84 Not (Integer Bitwise Not).....	625
18.5.85 Notify (Notify Object of Event).....	626
18.5.86 ObjectType (Get Object Type) .....	626
18.5.87 One (Constant One Object) .....	627
18.5.88 Ones (Constant Ones Object) .....	627
18.5.89 OperationRegion (Declare Operation Region).....	627
18.5.90 Or (Integer Bitwise Or).....	629

18.5.91 Package (Declare Package Object) .....	629
18.5.92 PowerResource (Declare Power Resource) .....	630
18.5.93 Processor (Declare Processor) .....	630
18.5.94 QWordIO (QWord IO Resource Descriptor Macro).....	631
18.5.95 QWordMemory (QWord Memory Resource Descriptor Macro).....	632
18.5.96 QWordSpace (QWord Space Resource Descriptor Macro) .....	634
18.5.97 RefOf (Create Object Reference) .....	635
18.5.98 Register (Generic Register Resource Descriptor Macro).....	635
18.5.99 Release (Release a Mutex Synchronization Object) .....	636
18.5.100 Reset (Reset an Event Synchronization Object) .....	636
18.5.101 ResourceTemplate (Resource To Buffer Conversion Macro).....	637
18.5.102 Return (Return from Method Execution).....	637
18.5.103 Revision (Constant Revision Object).....	637
18.5.104 Scope (Open Named Scope).....	637
18.5.105 ShiftLeft (Integer Shift Left) .....	638
18.5.106 ShiftRight (Integer Shift Right) .....	639
18.5.107 Signal (Signal a Synchronization Event) .....	639
18.5.108 SizeOf (Get Data Object Size).....	639
18.5.109 Sleep (Milliseconds Sleep) .....	639
18.5.110 Stall (Stall for a Short Time).....	640
18.5.111 StartDependentFn (Start Dependent Function Resource Descriptor Macro) .....	640
18.5.112 StartDependentFnNoPri (Start Dependent Function Resource Descriptor Macro).....	641
18.5.113 Store (Store an Object) .....	641
18.5.114 Subtract (Integer Subtract).....	641
18.5.115 Switch (Select Code To Execute Based On Expression) .....	642
18.5.116 ThermalZone (Declare Thermal Zone).....	644
18.5.117 Timer (Get 64-Bit Timer Value).....	644
18.5.118 ToBCD (Convert Integer to BCD).....	645
18.5.119 ToBuffer (Convert Data to Buffer).....	645
18.5.120 ToDecimalString (Convert Data to Decimal String).....	645
18.5.121 ToHexString (Convert Data to Hexadecimal String).....	646
18.5.122 ToInteger (Convert Data to Integer) .....	646
18.5.123 ToString (Convert Buffer To String) .....	646
18.5.124 ToUUID (Convert String to UUID Macro) .....	647
18.5.125 Unicode (String To Unicode Conversion Macro).....	648
18.5.126 Unload (Unload Definition Block) .....	648
18.5.127 VendorLong (Long Vendor Resource Descriptor).....	648
18.5.128 VendorShort (Short Vendor Resource Descriptor) .....	649
18.5.129 Wait (Wait for a Synchronization Event) .....	649
18.5.130 While (Conditional Loop).....	649
18.5.131 WordBusNumber (Word Bus Number Resource Descriptor Macro) .....	650
18.5.132 WordIO (Word IO Resource Descriptor Macro) .....	651
18.5.133 WordSpace (Word Space Resource Descriptor Macro) ) .....	652
18.5.134 XOr (Integer Bitwise Xor).....	654
18.5.135 Zero (Constant Zero Object).....	654
<b>19 ACPI MACHINE LANGUAGE (AML) SPECIFICATION .....</b>	<b>655</b>
<b>19.1 Notation Conventions.....</b>	<b>655</b>
<b>19.2 AML Grammar Definition .....</b>	<b>656</b>
19.2.1 Table and Table Header Encoding.....	656
19.2.2 Name Objects Encoding .....	656
19.2.3 Data Objects Encoding .....	657
19.2.4 Package Length Encoding .....	658
19.2.5 Term Objects Encoding .....	658
19.2.6 Miscellaneous Objects Encoding.....	664
<b>19.3 AML Byte Stream Byte Values .....</b>	<b>665</b>
<b>19.4 AML Encoding of Names in the Namespace .....</b>	<b>669</b>



<b>A</b>	<b>DEVICE CLASS PM SPECIFICATIONS</b>	<b>671</b>
<b>A.1</b>	<b>Overview</b>	<b>671</b>
<b>A.2</b>	<b>Device Power States</b>	<b>671</b>
A.2.1	Bus Power Management	672
A.2.2	Display Power Management	672
A.2.3	PCMCIA/PCCARD/CardBus Power Management	672
A.2.4	PCI Power Management	672
A.2.5	USB Power Management	672
A.2.6	Device Classes	673
<b>A.3</b>	<b>Default Device Class</b>	<b>673</b>
A.3.1	Default Power State Definitions	673
A.3.2	Default Power Management Policy	673
A.3.3	Default Wake Events	674
A.3.4	Minimum Power Capabilities	674
<b>A.4</b>	<b>Audio Device Class</b>	<b>674</b>
A.4.1	Power State Definitions	674
A.4.2	Power Management Policy	674
A.4.3	Wake Events	675
A.4.4	Minimum Power Capabilities	675
<b>A.5</b>	<b>COM Port Device Class</b>	<b>675</b>
A.5.1	Power State Definitions	676
A.5.2	Power Management Policy	676
A.5.3	Wake Events	676
A.5.4	Minimum Power Capabilities	676
<b>A.6</b>	<b>Display Device Class</b>	<b>676</b>
A.6.1	Power State Definitions	677
A.6.2	Power Management Policy for the Display Class	682
A.6.3	Wake Events	683
A.6.4	Minimum Power Capabilities	683
A.6.5	Performance States for Display Class Devices	683
<b>A.7</b>	<b>Input Device Class</b>	<b>685</b>
A.7.1	Power State Definitions	685
A.7.2	Power Management Policy	685
A.7.3	Wake Events	686
A.7.4	Minimum Power Capabilities	686
<b>A.8</b>	<b>Modem Device Class</b>	<b>686</b>
A.8.1	Technology Overview	686
A.8.2	Power State Definitions	687
A.8.3	Power Management Policy	688
A.8.4	Wake Events	688
A.8.5	Minimum Power Capabilities	688
<b>A.9</b>	<b>Network Device Class</b>	<b>689</b>
A.9.1	Power State Definitions	689
A.9.2	Power Management Policy	690
A.9.3	Wake Events	690
A.9.4	Minimum Power Capabilities	690
<b>A.10</b>	<b>PC Card Controller Device Class</b>	<b>690</b>
A.10.1	Power State Definitions	691
A.10.2	Power Management Policy	692
A.10.3	Wake Events	692
A.10.4	Minimum Power Capabilities	692
<b>A.11</b>	<b>Storage Device Class</b>	<b>693</b>
A.11.1	Power State Definitions	693
A.11.2	Power Management Policy	694
A.11.3	Wake Events	694
A.11.4	Minimum Power Capabilities	694

<b>B</b>	<b>ACPI EXTENSIONS FOR DISPLAY ADAPTERS</b>	<b>695</b>
<b>B.1</b>	<b>Introduction</b>	<b>695</b>
<b>B.2</b>	<b>Definitions</b>	<b>696</b>
<b>B.3</b>	<b>ACPI Namespace</b>	<b>696</b>
<b>B.4</b>	<b>Display-specific Methods</b>	<b>697</b>
B.4.1	_DOS (Enable/Disable Output Switching)	697
B.4.2	_DOD (Enumerate All Devices Attached to the Display Adapter)	698
B.4.3	_ROM (Get ROM Data)	701
B.4.4	_GPD (Get POST Device)	702
B.4.5	_SPD (Set POST Device)	702
B.4.6	_VPO (Video POST Options)	703
<b>B.5</b>	<b>Notifications for Display Devices</b>	<b>703</b>
<b>B.6</b>	<b>Output Device-specific Methods</b>	<b>703</b>
B.6.1	_ADR (Return the Unique ID for this Device)	704
B.6.2	_BCL (Query List of Brightness Control Levels Supported)	704
B.6.3	_BCM (Set the Brightness Level)	704
B.6.4	_BQC (Brightness Query Current level)	705
B.6.5	_DDC (Return the EDID for this Device)	705
B.6.6	_DCS (Return the Status of Output Device)	705
B.6.7	_DGS (Query Graphics State)	706
B.6.8	_DSS (Device Set State)	706
<b>B.7</b>	<b>Notifications Specific to Output Devices</b>	<b>707</b>
<b>B.8</b>	<b>Notes on State Changes</b>	<b>708</b>
<b>INDEX</b>		<b>710</b>





## 1 Introduction

The Advanced Configuration and Power Interface (ACPI) specification was developed to establish industry common interfaces enabling robust operating system (OS)-directed motherboard device configuration and power management of both devices and entire systems. ACPI is the key element in Operating System-directed configuration and Power Management (OSPM).

ACPI evolved the existing pre-ACPI collection of power management BIOS code, Advanced Power Management (APM) application programming interfaces (APIs, PNPBIOS APIs, Multiprocessor Specification (MPS) tables and so on into a well-defined power management and configuration interface specification. ACPI provides the means for an orderly transition from existing (legacy) hardware to ACPI hardware, and it allows for both ACPI and legacy mechanisms to exist in a single machine and to be used as needed.

Further, system architectures being built at the time of the original ACPI specification's inception, stretched the limits of historical "Plug and Play" interfaces. ACPI evolved existing motherboard configuration interfaces to support advanced architectures in a more robust, and potentially more efficient manner.

The interfaces and OSPM concepts defined within this specification are suitable to all classes of computers including (but not limited to) desktop, mobile, workstation, and server machines. From a power management perspective, OSPM/ACPI promotes the concept that systems should conserve energy by transitioning unused devices into lower power states including placing the entire system in a low-power state (sleeping state) when possible.

This document describes ACPI hardware interfaces, ACPI software interfaces and ACPI data structures that, when implemented, enable support for robust OS-directed configuration and power management (OSPM).

### 1.1 Principal Goals

ACPI is the key element in implementing OSPM. ACPI-defined interfaces are intended for wide adoption to encourage hardware and software vendors to build ACPI-compatible (and, thus, OSPM-compatible) implementations.

The principal goals of ACPI and OSPM are to:

1. Enable all computer systems to implement motherboard configuration and power management functions, using appropriate cost/function tradeoffs.
  - Computer systems include (but are not limited to) desktop, mobile, workstation, and server machines.
  - Machine implementers have the freedom to implement a wide range of solutions, from the very simple to the very aggressive, while still maintaining full OS support.
  - Wide implementation of power management will make it practical and compelling for applications to support and exploit it. It will make new uses of PCs practical and existing uses of PCs more economical.
2. Enhance power management functionality and robustness.
  - Power management policies too complicated to implement in a ROM BIOS can be implemented and supported in the OS, allowing inexpensive power managed hardware to support very elaborate power management policies.
  - Gathering power management information from users, applications, and the hardware together into the OS will enable better power management decisions and execution.
  - Unification of power management algorithms in the OS will reduce conflicts between the firmware and OS and will enhance reliability.
3. Facilitate and accelerate industry-wide implementation of power management.
  - OSPM and ACPI reduces the amount of redundant investment in power management throughout the industry, as this investment and function will be gathered into the OS. This will allow industry participants to focus their efforts and investments on innovation rather than simple parity.

## 22 Advanced Configuration and Power Interface Specification

- The OS can evolve independently of the hardware, allowing all ACPI-compatible machines to gain the benefits of OS improvements and innovations.
4. Create a robust interface for configuring motherboard devices.
- Enable new advanced designs not possible with existing interfaces.

### 1.2 Power Management Rationale

It is necessary to move power management into the OS and to use an abstract interface (ACPI) between the OS and the hardware to achieve the principal goals set forth above.

- Minimal support for power management inhibits application vendors from supporting or exploiting it.
  - Moving power management functionality into the OS makes it available on every machine on which the OS is installed. The level of functionality (power savings, and so on) varies from machine to machine, but users and applications will see the same power interfaces and semantics on all OSPM machines.
  - This will enable application vendors to invest in adding power management functionality to their products.
- Legacy power management algorithms were restricted by the information available to the BIOS that implemented them. This limited the functionality that could be implemented.
  - Centralizing power management information and directives from the user, applications, and hardware in the OS allows the implementation of more powerful functionality. For example, an OS can have a policy of dividing I/O operations into normal and lazy. Lazy I/O operations (such as a word processor saving files in the background) would be gathered up into clumps and done only when the required I/O device is powered up for some other reason. A non-lazy I/O request made when the required device was powered down would cause the device to be powered up immediately, the non-lazy I/O request to be carried out, and any pending lazy I/O operations to be done. Such a policy requires knowing when I/O devices are powered up, knowing which application I/O requests are lazy, and being able to assure that such lazy I/O operations do not starve.
  - Appliance functions, such as answering machines, require globally coherent power decisions. For example, a telephone-answering application could call the OS and assert, "I am waiting for incoming phone calls; any sleep state the system enters must allow me to wake and answer the telephone in 1 second." Then, when the user presses the "off" button, the system would pick the deepest sleep state consistent with the needs of the phone answering service.
- BIOS code has become very complex to deal with power management. It is difficult to make work with an OS and is limited to static configurations of the hardware.
  - There is much less state information for the BIOS to retain and manage (because the OS manages it).
  - Power management algorithms are unified in the OS, yielding much better integration between the OS and the hardware.
  - Because additional ACPI tables (Definition Blocks) can be loaded, for example, when a mobile system docks, the OS can deal with dynamic machine configurations.
  - Because the BIOS has fewer functions and they are simpler, it is much easier (and therefore cheaper) to implement and support.
- The existing structure of the PC platform constrains OS and hardware designs.
- Because ACPI is abstract, the OS can evolve separately from the hardware and, likewise, the hardware from the OS.
- ACPI is by nature more portable across operating systems and processors. ACPI control methods allow for very flexible implementations of particular features.

### 1.3 Legacy Support

ACPI provides support for an orderly transition from legacy hardware to ACPI hardware, and allows for both mechanisms to exist in a single machine and be used as needed.

**Table 1-1 Hardware Type vs. OS Type Interaction**

Hardware\OS	Legacy OS	ACPI OS with OSPM
Legacy hardware	A legacy OS on legacy hardware does what it always did.	If the OS lacks legacy support, legacy support is completely contained within the hardware functions.
Legacy and ACPI hardware support in machine	It works just like a legacy OS on legacy hardware.	During boot, the OS tells the hardware to switch from legacy to OSPM/ACPI mode and from then on, the system has full OSPM/ACPI support.
ACPI-only hardware	There is no power management.	There is full OSPM/ACPI support.

### 1.4 OEM Implementation Strategy

Any OEM is, as always, free to build hardware as they see fit. Given the existence of the ACPI specification, two general implementation strategies are possible:

- An original equipment manufacturer (OEM) can adopt the OS vendor-provided ACPI OSPM software and implement the hardware part of the ACPI specification (for a given platform) in one of many possible ways.
- An OEM can develop a driver and hardware that are not ACPI-compatible. This strategy opens up even more hardware implementation possibilities. However, OEMs who implement hardware that is OSPM-compatible but *not* ACPI-compatible will bear the cost of developing, testing, and distributing drivers for their implementation.

### 1.5 Power and Sleep Buttons

OSPM provides a new appliance interface to consumers. In particular, it provides for a sleep button that is a “soft” button that does *not* turn the machine physically off but signals the OS to put the machine in a soft off or sleeping state. ACPI defines two types of these “soft” buttons: one for putting the machine to sleep and one for putting the machine in soft off.

This gives the OEM two different ways to implement machines: A one-button model or a two-button model. The one-button model has a single button that can be used as a power button or a sleep button as determined by user settings. The two-button model has an easily accessible sleep button and a separate power button. In either model, an override feature that forces the machine to the soft-off state without OSPM interaction is also needed to deal with various rare, but problematic, situations.

### 1.6 ACPI Specification and the Structure Of ACPI

This specification defines ACPI hardware interfaces, ACPI software interfaces and ACPI data structures. This specification also defines the semantics of these interfaces.

Figure 1-1 lays out the software and hardware components relevant to OSPM/ACPI and how they relate to each other. This specification describes the *interfaces between* components, the contents of the ACPI System Description Tables, and the related semantics of the other ACPI components. Notice that the ACPI System Description Tables, which describe a particular platform’s hardware, are at heart of the ACPI implementation and the role of the ACPI System Firmware is primarily to supply the ACPI Tables (rather than a native instruction API).

ACPI is *not* a software specification; it is *not* a hardware specification, although it addresses both software and hardware and how they must behave. ACPI is, instead, an interface specification comprised of both software and hardware elements.

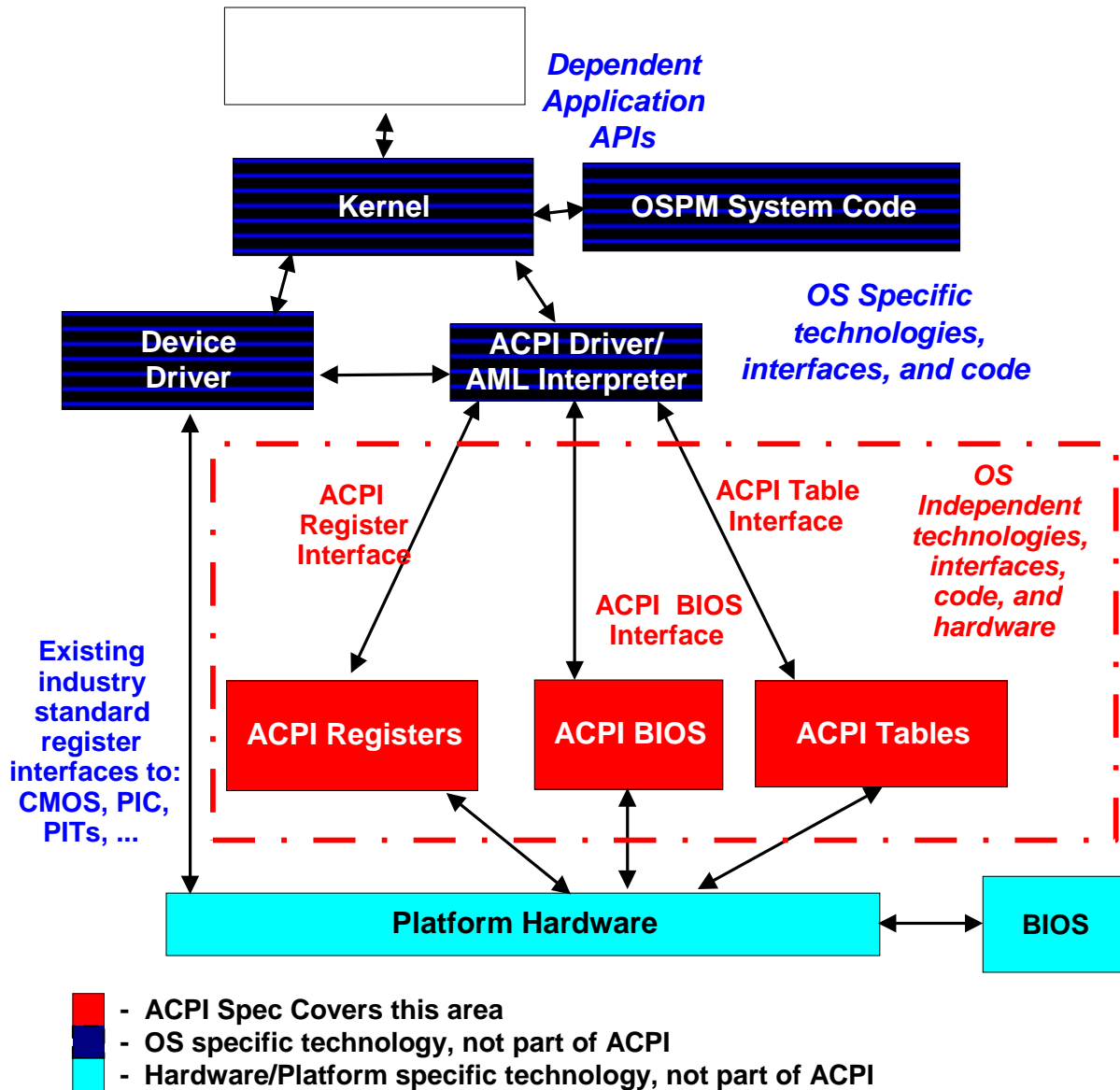


Figure 1-1 OSPM/ACPI Global System



There are three run-time components to ACPI:

- **ACPI System Description Tables.** Describe the interfaces to the hardware. Some descriptions limit what can be built (for example, some controls are embedded in fixed blocks of registers and the table specifies the address of the register block). Most descriptions allow the hardware to be built in arbitrary ways and can describe arbitrary operation sequences needed to make the hardware function. ACPI Tables containing “Definition Blocks” can make use of a pseudo-code type of language, the interpretation of which is performed by the OS. That is, OSPM contains and uses an interpreter that executes procedures encoded in the pseudo-code language and stored in the ACPI tables containing “Definition Blocks.” The pseudo-code language, known as ACPI Machine Language (AML), is a compact, tokenized, abstract type of machine language.
- **ACPI Registers.** The constrained part of the hardware interface, described (at least in location) by the ACPI System Description Tables.
- **ACPI System Firmware.** Refers to the portion of the firmware that is compatible with the ACPI specifications. Typically, this is the code that boots the machine (as legacy BIOSs have done) and implements interfaces for sleep, wake, and some restart operations. It is called rarely, compared to a legacy BIOS. The ACPI Description Tables are also provided by the ACPI System Firmware.

## 1.7 OS and Platform Compliance

The ACPI specification contains only interface specifications. ACPI does not contain any platform compliance requirements. The following sections provide guidelines for class specific platform implementations that reference ACPI-defined interfaces and guidelines for enhancements that operating systems may require to completely support OSPM/ACPI. The minimum feature implementation requirements of an ACPI-compatible OS are also provided.

### 1.7.1 Platform Implementations of ACPI-defined Interfaces

System platforms implement ACPI-defined hardware interfaces via the platform hardware and ACPI-defined software interfaces and system description tables via the ACPI system firmware. Specific ACPI-defined interfaces and OSPM concepts while appropriate for one class of machine (for example, a mobile system), may not be appropriate for another class of machine (for example, a multi-domain enterprise server). It is beyond the capability and scope of this specification to specify all platform classes and the appropriate ACPI-defined interfaces that should be required for the platform class.

Platform design guide authors are encouraged to require the appropriate ACPI-defined interfaces and hardware requirements suitable to the particular system platform class addressed in a particular design guide. Platform design guides should not define alternative interfaces that provide similar functionality to those defined in the ACPI specification.

#### 1.7.1.1 Recommended Features and Interface Descriptions for Design Guides

Common description text and category names should be used in design guides to describe all features, concepts, and interfaces defined by the ACPI specification as requirements for a platform class. Listed below is the recommended set of high-level text and category names to be used to describe the features, concepts, and interfaces defined by ACPI.

**Note:** Where definitions or relational requirements of interfaces are localized to a specific section, the section number is provided. The interface definitions and relational requirements of the interfaces specified below are generally spread throughout the ACPI specification. The ACPI specification defines:

*System address map reporting interfaces (Section 14)*

*ACPI System Description Tables (Section 5.2):*

*Root System Description Pointer (RSDP)*

*System Description Table Header*

*Root System Description Table (RSDT)*

*Fixed ACPI Description Table (FADT)*  
*Firmware ACPI Control Structure (FACS)*  
*Differentiated System Description Table (DSDT)*  
*Secondary System Description Table (SSDT)*  
*Multiple APIC Description Table (MADT)*  
*Smart Battery Table (SBST)*  
*Extended System Description Table (XSDT)*  
*Embedded Controller Boot Resources Table*  
*System Resource Affinity Table (SRAT)*  
*System Locality Information Table (SLIT)*

*ACPI-defined Fixed Registers Interfaces (Section 4, Section 5.2.9):*

*Power management timer control/status*  
*Power or sleep button with S5 override (also possible in generic space)*  
*Real time clock wakeup alarm control/status*  
*SCI/SMI routing control/status for Power Management and General-purpose events*  
*System power state controls (sleeping/wake control) (Section 7)*  
*Processor power state control (c states) (Section 8)*  
*Processor throttling control/status (Section 8)*  
*Processor performance state control/status (Section 8)*  
*General-purpose event control/status*  
*Global Lock control/status*  
*System Reset control (Section 4.7.3.6)*  
*Embedded Controller control/status (Section 12)*  
*SMBus Host Controller (HC) control/status (Section 13)*  
*Smart Battery Subsystem (Section 10.1)*

*ACPI-defined Generic Register Interfaces and object definitions in the ACPI Namespace (Section 4.2, Section 5.6.5):*

*General-purpose event processing*  
*Motherboard device identification, configuration, and insertion/removal (Section 6)*  
*Thermal zones (Section 11)*  
*Power resource control (Section 7.1)*  
*Device power state control (Section 7.2)*  
*System power state control (Section 7.3)*  
*System indicators (Section 9.1)*  
*Devices and device controls (Section 9):*  
*Processor (Section 8)*  
*Control Method Battery (Section 10)*  
*Smart Battery Subsystem (Section 10)*  
*Mobile Lid*  
*Power or sleep button with S5 override (also possible in fixed space)*  
*Embedded controller (Section 12)*  
*Fan*  
*Generic Bus Bridge*  
*ATA Controller*  
*Floppy Controller*  
*GPE Block*  
*Module*  
*Memory*  
*Global Lock related interfaces*

*ACPI Event programming model (Section 5.6)*

*ACPI-defined System BIOS Responsibilities (Section 15)*

*ACPI-defined State Definitions (Section 2):*

*Global system power states (G-states, S0, S5)*

*System sleeping states (S-states S1-S4) (Section 15)*

*Device power states (D-states (Appendix B))*

*Processor power states (C-states) (Section 8)*

*Device and processor performance states (P-states) (Section 3, Section 8)*

### 1.7.1.2 Terminology Examples for Design Guides

The following provides an example of how a client platform design guide, whose goal is to require robust configuration and power management for the system class, could use the recommended terminology to define ACPI requirements.

**Important:** This example is provided as a guideline for how ACPI terminology can be used. It should not be interpreted as a statement of ACPI requirements.

*Platforms compliant with this platform design guide must implement the following ACPI defined system features, concepts, and interfaces, along with their associated event models:*

*System address map reporting interfaces*

*ACPI System Description Tables provided in the system firmware*

*ACPI-defined Fixed Registers Interfaces:*

*Power management timer control/status*

*Power or sleep button with S5 override (may also be implemented in generic register space)*

*Real time clock wakeup alarm control/status*

*General-purpose event control/status*

*SCI /SMI routing control/status for Power Management and General-purpose events*

*(control required only if system supports legacy mode)*

*System power state controls (sleeping/wake control)*

*Processor power state control (for C1)*

*Global Lock control/status (if Global Lock interfaces are required by the system)*

- *ACPI-defined Generic Register Interfaces and object definitions in the ACPI Namespace:*
  - General-purpose event processing*
  - Motherboard device identification, configuration, and insertion/removal (Section 6)*
  - System power state control (Section 7.3)*
  - Devices and device controls:*
    - Processor*
    - Control Method Battery (or Smart Battery Subsystem on a mobile system)*
    - Smart Battery Subsystem (or Control Method Battery on a mobile system)*
    - Power or sleep button with S5 override (may also be implemented in fixed register space)*
    - Global Lock related interfaces when a logical register in the hardware is shared between OS and firmware environments*
- *ACPI Event programming model (Section 5.6)*
- *ACPI-defined System BIOS Responsibilities (Section 15)*
- *ACPI-defined State Definitions:*
  - System sleeping states (At least one system sleeping state, S1-S4, must be implemented)*
  - Device power states (D-states must be implemented in accordance with device class specifications)*
  - Processor power states (All processors must support the C1 Power State)*

The following provides an example of how a design guide for systems that execute multiple OS instances, whose goal is to require robust configuration and continuous availability for the system class, could use the recommended terminology to define ACPI related requirements.

**Important:** This example is provided as a guideline for how ACPI terminology can be used. It should not be interpreted as a statement of ACPI requirements.

*Platforms compliant with this platform design guide must implement the following ACPI defined system features and interfaces, along with their associated event models:*

*System address map reporting interfaces*

*ACPI System Description Tables provided in the system firmware*

*ACPI-defined Fixed Registers Interfaces:*

*Power management timer control/status*

*General-purpose event control/status*

*SCI /SMI routing control/status for Power Management and General-purpose events*

*(control required only if system supports legacy mode)*

*System power state controls (sleeping/wake control)*

*Processor power state control (for C1)*

*Global Lock control/status (if Global Lock interfaces are required by the system)*

- *ACPI-defined Generic Register Interfaces and object definitions in the ACPI Namespace:*
  - General-purpose event processing*
  - Motherboard device identification, configuration, and insertion/removal (Section 6)*
  - System power state control (Section 7.3)*
  - System indicators*
  - Devices and device controls:*
    - Processor*
    - Global Lock related interfaces when a logical register in the hardware is shared between OS and firmware environments*
  - *ACPI Event programming model ( Section 5.6)*
  - *ACPI-defined System BIOS Responsibilities (Section 15)*
  - *ACPI-defined State Definitions:*
    - Processor power states (All processors must support the C1 Power State)*

### 1.7.2 OSPM Implementations

OS enhancements are needed to support ACPI-defined features, concepts, and interfaces, along with their associated event models appropriate to the system platform class upon which the OS executes. This is the implementation of OSPM. The following outlines the OS enhancements and elements necessary to support all ACPI-defined interfaces. To support ACPI through the implementation of OSPM, the OS needs to be modified to:

- Use system address map reporting interfaces.
- Find and consume the ACPI System Description Tables.
- Interpret ACPI machine language (AML).
- Enumerate and configure motherboard devices described in the ACPI Namespace.
- Interface with the power management timer.
- Interface with the real-time clock wake alarm.
- Enter ACPI mode (on legacy hardware systems).
- Implement device power management policy.
- Implement power resource management.
- Implement processor power states in the scheduler idle handlers.

- Control processor and device performance states.
- Implement the ACPI thermal model.
- Support the ACPI Event programming model including handling SCI interrupts, managing fixed events, general-purpose events, embedded controller interrupts, and dynamic device support.
- Support acquisition and release of the Global Lock.
- Use the reset register to reset the system.
- Provide APIs to influence power management policy.
- Implement driver support for ACPI-defined devices.
- Implement APIs supporting the system indicators.
- Support all system states S1–S5.

### 1.7.3 OS Requirements

The following list describes the minimum requirements for an OSPM/ACPI-compatible OS:

- Use system address map reporting interfaces to get the system address map on Intel Architecture (IA) platforms:
  - INT 15H, E820H - Query System Address Map interface (see section 14, “System Address Map Interfaces”)
  - EFI GetMemoryMap() Boot Services Function (see section 14, “System Address Map Interfaces”)
- Find and consume the ACPI System Description Tables (see section 5, “ACPI Software Programming Model”).
- Implementation of an AML interpreter supporting all defined AML grammar elements (see section 19, “ACPI Machine Language Specification”).
- Support for the ACPI Event programming model including handling SCI interrupts, managing fixed events, general-purpose events, embedded controller interrupts, and dynamic device support.
- Enumerate and configure motherboard devices described in the ACPI Namespace.
- Implement support for the following ACPI devices defined within this specification:
  - Embedded Controller Device (see section 12, “ACPI Embedded Controller Interface Specification”)
  - GPE Block Device (see section 9.10, “GPE Block Device”)
  - Module Device (see section 9.11, “Module Device”)
- Implementation of the ACPI thermal model (see section 11, “Thermal Management”).
- Support acquisition and release of the Global Lock.
- OS-directed power management support (device drivers are responsible for maintaining device context as described by the Device Power Management Class Specifications described in Appendix A).

### 1.8 Target Audience

This specification is intended for the following users:

- OEMs building hardware containing ACPI-compatible interfaces
- Operating system and device driver developers
- BIOS and ACPI system firmware developers
- CPU and chip set vendors
- Peripheral vendors

### 1.9 Document Organization

The ACPI specification document is organized into the following four parts:

- The first part of the specification (sections 1 through 3) introduces ACPI and provides an executive overview.
- The second part (sections 4 and 5) defines the ACPI hardware and software programming models.
- The third part (sections 6 through 17) specifies the ACPI implementation details; this part of the specification is primarily for developers.

- The fourth part (sections 18 and 19) is technical reference material; section 18 is the ACPI Source Language (ASL) reference, parts of which are referred to by most of the other sections in the document.
- Appendices contain device class specifications, describing power management characteristics of specific classes of devices, and device class-specific ACPI interfaces.

### 1.9.1 ACPI Introduction and Overview

The first three sections of the specification provide an executive overview of ACPI.

**Section 1: Introduction.** Discusses the purpose and goals of the specification, presents an overview of the ACPI-compatible system architecture, specifies the minimum requirements for an ACPI-compatible system, and provides references to related specifications.

**Section 2: Definition of Terms.** Defines the key terminology used in this specification. In particular, the global system states (Mechanical Off, Soft Off, Sleeping, Working, and Non-Volatile Sleep) are defined in this section, along with the device power state definitions: Off (D3), D3hot, D2, D1, and Fully-On (D0). Device and processor performance states (P0, P1, ...Pn) are also discussed.

**Section 3: ACPI Overview.** Gives an overview of the ACPI specification in terms of the functional areas covered by the specification: system power management, device power management, processor power management, Plug and Play, handling of system events, battery management, and thermal management.

### 1.9.2 Programming Models

Sections 4 and 5 define the ACPI hardware and software programming models. This part of the specification is primarily for system designers, developers, and project managers.

All of the implementation-oriented, reference, and platform example sections of the specification that follow (all the rest of the sections of the specification) are based on the models defined in sections 4 and 5. These sections are the heart of the ACPI specification. There are extensive cross-references between the two sections.

**Section 4: ACPI Hardware Specification.** Defines a set of hardware interfaces that meet the goals of this specification.

**Section 5: ACPI Software Programming Model.** Defines a set of software interfaces that meet the goals of this specification.

### 1.9.3 Implementation Details

The third part of the specification defines the implementation details necessary to actually build components that work on an ACPI-compatible platform. This part of the specification is primarily for developers.

**Section 6: Configuration.** Defines the reserved Plug and Play objects used to configure and assign resources to devices, and share resources and the reserved objects used to track device insertion and removal. Also defines the format of ACPI-compatible resource descriptors.

**Section 7: Power and Performance Management.** Defines the reserved device power-management objects and the reserved-system power-management objects.

**Section 8: Processor Configuration and Control.** Defines how the OS manages the processors' power consumption and other controls while the system is in the working state.

**Section 9: ACPI-Specific Device Objects.** Lists the integrated devices that need support for some device-specific ACPI controls, along with the device-specific ACPI controls that can be provided. Most device objects are controlled through generic objects and control methods and have generic device IDs; this section discusses the exceptions.

**Section 10: Power Source Devices.** Defines the reserved battery device and AC adapter objects.

**Section 11: Thermal Management.** Defines the reserved thermal management objects.

**Section 12: ACPI Embedded Controller Interface Specification.** Defines the interfaces between an ACPI-compatible OS and an embedded controller.

**Section 13: ACPI System Management Bus Interface Specification.** Defines the interfaces between an ACPI-compatible OS and a System Management Bus (SMBus) host controller.

**Section 14: System Address Map Interfaces.** Explains the special INT 15 call for use in ISA/EISA/PCI bus-based systems. This call supplies the OS with a clean memory map indicating address ranges that are reserved and ranges that are available on the motherboard. UEFI-based memory address map reporting interfaces are also described.

**Section 15: Waking and Sleeping.** Defines in detail the transitions between system working and sleeping states and their relationship to wake events. Refers to the reserved objects defined in sections 6, 7, and 8.

**Section 16: Non-Uniform Memory Access (NUMA) Architecture Platforms.** Discusses in detail how ACPI define interfaces can be used to describe a NUMA architecture platform. Refers to the reserved objects defined in sections 5, 6, 8, and 9.

**Section 17: ACPI Platform Error Interfaces.** Defines interfaces that enable OSPM to processes different types of hardware error events that are detected by platform-based error detection hardware.

## 1.9.4 Technical Reference

The fourth part of the specification contains reference material for developers.

**Section 18: ACPI Source Language Reference.** Defines the syntax of all the ASL statements that can be used to write ACPI control methods, along with example syntax usage.

**Section 19: ACPI Machine Language Specification.** Defines the grammar of the language of the ACPI virtual machine language. An ASL translator (compiler) outputs AML.

**Appendix A: Device class specifications.** Describes device-specific power management behavior on a per device-class basis.

**Appendix B: Video Extensions.** Contains video device class-specific ACPI interfaces.

## 1.10 Related Documents

Power management and Plug and Play specifications for legacy hardware platforms are the following, available from <http://www.microsoft.com/whdc/resources/respec/specs/default.msp>:

- *Advanced Power Management (APM) BIOS Specification*, Revision 1.2.
- *Plug and Play BIOS Specification*, Version 1.0a.

Intel Architecture specifications are available from <http://developer.intel.com>:

*Intel® Itanium™ Architecture Software Developer's Manual*, Volumes 1–4, Revision 2.1, Intel Corporation, October 2002.

*Itanium™ Processor Family System Abstraction Layer Specification*, Intel Corporation, December 2003 (June 2004 Update).

Unified Extensible Firmware Interface Specifications are available from <http://www.uefi.org>:

*Unified Extensible Firmware Interface Specification, Version 2.3, May 2009.*

Documentation and specifications for the Smart Battery System components and the SMBus are available from <http://www.sbs-forum.org>:

- *Smart Battery Charger Specification*, Revision 1.1, Smart Battery System Implementers Forum, December, 1998.
- *Smart Battery Data Specification*, Revision 1.1, Smart Battery System Implementers Forum, December, 1998.

## 32 Advanced Configuration and Power Interface Specification

- *Smart Battery Selector Specification*, Revision 1.1, Smart Battery System Implementers Forum, December, 1998.
- *Smart Battery System Manager Specification*, Revision 1.0, Smart Battery System Implementers Forum, December, 1998.
- *System Management Bus Specification*, Revision 1.1, Smart Battery System Implementers Forum, December, 1998.



## 2 Definition of Terms

This specification uses a particular set of terminology, defined in this section. This section has three parts:

General ACPI terms are defined and presented alphabetically.

The ACPI global system states (working, sleeping, soft off, and mechanical off) are defined. Global system states apply to the entire system, and *are* visible to the user.

The ACPI device power states are defined. Device power states are states of particular devices; as such, they are generally *not* visible to the user. For example, some devices may be in the off state even though the system as a whole is in the working state. Device states apply to any device on any bus.

### 2.1 General ACPI Terminology

#### *Advanced Configuration and Power Interface (ACPI)*

As defined in this document, ACPI is a method for describing hardware interfaces in terms abstract enough to allow flexible and innovative hardware implementations and concrete enough to allow shrink-wrap OS code to use such hardware interfaces.

#### *ACPI Hardware*

Computer hardware with the features necessary to support OSPM and with the interfaces to those features described using the Description Tables as specified by this document.

#### *ACPI Namespace*

A hierarchical tree structure in OS-controlled memory that contains named objects. These objects may be data objects, control method objects, bus/device package objects, and so on. The OS dynamically changes the contents of the namespace at run-time by loading and/or unloading definition blocks from the ACPI Tables that reside in the ACPI BIOS. All the information in the ACPI Namespace comes from the Differentiated System Description Table (DSDT), which contains the Differentiated Definition Block, and one or more other definition blocks.

#### *ACPI Machine Language (AML)*

Pseudo-code for a virtual machine supported by an ACPI-compatible OS and in which ACPI control methods and objects are written. The AML encoding definition is provided in section 19, “ACPI Machine Language (AML) Specification.”

#### *Advanced Programmable Interrupt Controller (APIC)*

An interrupt controller architecture commonly found on Intel Architecture-based 32-bit PC systems. The APIC architecture supports multiprocessor interrupt management (with symmetric interrupt distribution across all processors), multiple I/O subsystem support, 8259A compatibility, and inter-processor interrupt support. The architecture consists of local APICs commonly attached directly to processors and I/O APICs commonly in chip sets.

#### *ACPI Source Language (ASL)*

The programming language equivalent for AML. ASL is compiled into AML images. The ASL statements are defined in section 18, “ACPI Source Language (ASL) Reference.”

#### *Control Method*

A control method is a definition of how the OS can perform a simple hardware task. For example, the OS invokes control methods to read the temperature of a thermal zone. Control methods are written in an encoded language called AML that can be interpreted and executed by the ACPI-compatible OS. An ACPI-compatible system must provide a minimal set of control methods in the ACPI tables. The OS provides a set of well-defined control methods that ACPI table developers can reference in their control methods. OEMs can support different revisions of chip sets with one BIOS by either including control methods in the BIOS that test configurations and respond as needed or including a different set of control methods for each chip set revision.

**Central Processing Unit (CPU) or Processor**

The part of a platform that executes the instructions that do the work. An ACPI-compatible OS can balance processor performance against power consumption and thermal states by manipulating the processor performance controls. The ACPI specification defines a working state, labeled G0 (S0), in which the processor executes instructions. Processor sleeping states, labeled C1 through C3, are also defined. In the sleeping states, the processor executes no instructions, thus reducing power consumption and, potentially, operating temperatures. The ACPI specification also defines processor performance states, where the processor (while in C0) executes instructions, but with lower performance and (potentially) lower power consumption and operating temperature. For more information, see section 8, “Processor Configuration and Control.”

**Definition Block**

A definition block contains information about hardware implementation and configuration details in the form of data and control methods, encoded in AML. An OEM can provide one or more definition blocks in the ACPI Tables. One definition block must be provided: the Differentiated Definition Block, which describes the base system. Upon loading the Differentiated Definition Block, the OS inserts the contents of the Differentiated Definition Block into the ACPI Namespace. Other definition blocks, which the OS can dynamically insert and remove from the active ACPI Namespace, can contain references to the Differentiated Definition Block. For more information, see section 5.2.11, “Definition Blocks.”

**Device**

Hardware component outside the core chip set of a platform. Examples of devices are liquid crystal display (LCD) panels, video adapters, Integrated Drive Electronics (IDE) CD-ROM and hard disk controllers, COM ports, and so on. In the ACPI scheme of power management, buses are devices. For more information, see section 3.3.2, “Device Power States.”

**Device Context**

The variable data held by the device; it is usually volatile. The device might forget this information when entering or leaving certain states (for more information, see section 2.3, “Device Power State Definitions.”), in which case the OS software is responsible for saving and restoring the information. Device Context refers to small amounts of information held in device peripherals. See *System Context*.

**Differentiated System Description Table (DSDT)**

An OEM must supply a DSDT to an ACPI-compatible OS. The DSDT contains the Differentiated Definition Block, which supplies the implementation and configuration information about the base system. The OS always inserts the DSDT information into the ACPI Namespace at system boot time and never removes it.

**Unified Extensible Firmware Interface (UEFI)**

An interface between the OS and the platform firmware. The interface is in the form of data tables that contain platform related information, and boot and run-time service calls that are available to the OS and loader. Together, these provide a standard environment for booting an OS.

**Embedded Controller**

The general class of microcontrollers used to support OEM-specific implementations, mainly in mobile environments. The ACPI specification supports embedded controllers in any platform design, as long as the microcontroller conforms to one of the models described in this section. The embedded controller performs complex low-level functions through a simple interface to the host microprocessor(s).

**Embedded Controller Interface**

A standard hardware and software communications interface between an OS driver and an embedded controller. This allows any OS to provide a standard driver that can directly communicate with an embedded controller in the system, thus allowing other drivers within the system to communicate with and use the resources of system embedded controllers (for example, Smart Battery and AML code). This in turn enables the OEM to provide platform features that the OS and applications can use.

***Firmware ACPI Control Structure (FACS)***

A structure in read/write memory that the BIOS uses for handshaking between the firmware and the OS. The FACS is passed to an ACPI-compatible OS via the Fixed ACPI Description Table (FADT). The FACS contains the system's hardware signature at last boot, the firmware waking vector, and the Global Lock.

***Fixed ACPI Description Table (FADT)***

A table that contains the ACPI Hardware Register Block implementation and configuration details that the OS needs to directly manage the ACPI Hardware Register Blocks, as well as the physical address of the DSDT, which contains other platform implementation and configuration details. An OEM must provide an FADT to an ACPI-compatible OS in the RSDT/XSDT. The OS always inserts the namespace information defined in the Differentiated Definition Block in the DSDT into the ACPI Namespace at system boot time, and the OS never removes it.

***Fixed Features***

A set of features offered by an ACPI interface. The ACPI specification places restrictions on where and how the hardware programming model is generated. All fixed features, if used, are implemented as described in this specification so that OSPM can directly access the fixed feature registers.

***Fixed Feature Events***

A set of events that occur at the ACPI interface when a paired set of status and event bits in the fixed feature registers are set at the same time. When a fixed feature event occurs, a system control interrupt (SCI) is raised. For ACPI fixed feature events, OSPM (or an ACPI-aware driver) acts as the event handler.

***Fixed Feature Registers***

A set of hardware registers in fixed feature register space at specific address locations in system I/O address space. ACPI defines register blocks for fixed features (each register block gets a separate pointer from the FADT). For more information, see section 4.6, "ACPI Hardware Features."

***General-Purpose Event Registers***

The general-purpose event registers contain the event programming model for generic features. All general-purpose events generate SCIs.

***Generic Feature***

A generic feature of a platform is value-added hardware implemented through control methods and general-purpose events.

***Global System States***

Global system states apply to the entire system, and are visible to the user. The various global system states are labeled G0 through G3 in the ACPI specification. For more information, see section 2.2, "Global System State Definitions."

***Ignored Bits***

Some unused bits in ACPI hardware registers are designated as "ignored" in the ACPI specification. Ignored bits are undefined and can return zero or one (in contrast to reserved bits, which always return zero). Software ignores ignored bits in ACPI hardware registers on reads and preserves ignored bits on writes.

***Intel Architecture-Personal Computer (IA-PC)***

A general descriptive term for computers built with processors conforming to the architecture defined by the Intel processor family based on the Intel Architecture instruction set and having an industry-standard PC architecture.

***I/O APIC***

An Input/Output Advanced Programmable Interrupt Controller routes interrupts from devices to the processor's local APIC.

***I/O SAPIC***

An Input/Output Streamlined Advanced Programmable Interrupt Controller routes interrupts from devices to the processor's local APIC.

**Legacy**

A computer state where power management policy decisions are made by the platform hardware/firmware shipped with the system. The legacy power management features found in today's systems are used to support power management in a system that uses a legacy OS that does not support the OS-directed power management architecture.

**Legacy Hardware**

A computer system that has no ACPI or OSPM power management support.

**Legacy OS**

An OS that is not aware of and does not direct the power management functions of the system. Included in this category are operating systems with APM 1.x support.

**Local APIC**

A local Advanced Programmable Interrupt Controller receives interrupts from the I/O APIC.

**Local SAPIC**

A local Streamlined Advanced Programmable Interrupt Controller receives interrupts from the I/O SAPIC.

**Multiple APIC Description Table (MADT)**

The Multiple APIC Description Table (MADT) is used on systems supporting the APIC and SAPIC to describe the APIC implementation. Following the MADT is a list of APIC/SAPIC structures that declare the APIC/SAPIC features of the machine.

**Object**

The nodes of the ACPI Namespace are objects inserted in the tree by the OS using the information in the system definition tables. These objects can be data objects, package objects, control method objects, and so on. Package objects refer to other objects. Objects also have type, size, and relative name.

**Object name**

Part of the ACPI Namespace. There is a set of rules for naming objects.

**Operating System-directed Power Management (OSPM)**

A model of power (and system) management in which the OS plays a central role and uses global information to optimize system behavior for the task at hand.

**Package**

An array of objects.

**Power Button**

A user push button or other switch contact device that switches the system from the sleeping/soft off state to the working state, and signals the OS to transition to a sleeping/soft off state from the working state.

**Power Management**

Mechanisms in software and hardware to minimize system power consumption, manage system thermal limits, and maximize system battery life. Power management involves trade-offs among system speed, noise, battery life, processing speed, and alternating current (AC) power consumption. Power management is required for some system functions, such as appliance (for example, answering machine, furnace control) operations.

**Power Resources**

Resources (for example, power planes and clock sources) that a device requires to operate in a given power state.

**Power Sources**

The battery (including a UPS battery) and AC line powered adapters or power supplies that supply power to a platform.

**Register Grouping**

Consists of two register blocks (it has two pointers to two different blocks of registers). The fixed-position bits within a register grouping can be split between the two register blocks. This allows the bits within a register grouping to be split between two chips.

**Reserved Bits**

Some unused bits in ACPI hardware registers are designated as “Reserved” in the ACPI specification. For future extensibility, hardware-register reserved bits always return zero, and data writes to them have no side effects. OSPM implementations must write zeros to all reserved bits in enable and status registers and preserve bits in control registers.

**Root System Description Pointer (RSDP)**

An ACPI-compatible system must provide an RSDP in the system’s low address space. This structure’s only purpose is to provide the physical address of the RSDT and XSDT.

**Root System Description Table (RSDT)**

A table with the signature ‘RSDT,’ followed by an array of physical pointers to other system description tables. The OS locates that RSDT by following the pointer in the RSDP structure.

**Secondary System Description Table (SSDT)**

SSDTs are a continuation of the DSDT. Multiple SSDTs can be used as part of a platform description. After the DSDT is loaded into the ACPI Namespace, each secondary description table listed in the RSDT/XSDT with a unique OEM Table ID is loaded. This allows the OEM to provide the base support in one table, while adding smaller system options in other tables.

**Note:** Additional tables can only add data; they cannot overwrite data from previous tables.

**Sleep Button**

A user push button that switches the system from the sleeping/soft off state to the working state, and signals the OS to transition to a sleeping state from the working state.

**Smart Battery Subsystem**

A battery subsystem that conforms to the following specifications: Smart Battery and either Smart Battery System Manager or Smart Battery Charger and Selector—and the additional ACPI requirements.

**Smart Battery Table**

An ACPI table used on platforms that have a Smart Battery subsystem. This table indicates the energy-level trip points that the platform requires for placing the system into different sleeping states and suggested energy levels for warning the user to transition the platform into a sleeping state.

**System Management Bus (SMBus)**

A two-wire interface based upon the I<sup>2</sup>C protocol. The SMBus is a low-speed bus that provides positive addressing for devices, as well as bus arbitration.

**SMBus Interface**

A standard hardware and software communications interface between an OS bus driver and an SMBus controller.

**Streamlined Advanced Programmable Interrupt Controller (SAPIC)**

An advanced APIC commonly found on Intel Itanium™ Processor Family-based 64-bit systems.

**System Context**

The volatile data in the system that is not saved by a device driver.

**System Control Interrupt (SCI)**

A system interrupt used by hardware to notify the OS of ACPI events. The SCI is an active, low, shareable, level interrupt.

**System Management Interrupt (SMI)**

An OS-transparent interrupt generated by interrupt events on legacy systems. By contrast, on ACPI systems, interrupt events generate an OS-visible interrupt that is shareable (edge-style interrupts will not work). Hardware platforms that want to support both legacy operating systems and ACPI systems

must support a way of re-mapping the interrupt events between SMIs and SCIs when switching between ACPI and legacy models.

### ***Thermal States***

Thermal states represent different operating environment temperatures within thermal zones of a system. A system can have one or more thermal zones; each thermal zone is the volume of space around a particular temperature-sensing device. The transitions from one thermal state to another are marked by trip points, which are implemented to generate an SCI when the temperature in a thermal zone moves above or below the trip point temperature.

### ***Extended Root System Description Table (XSDT)***

The XSDT provides identical functionality to the RSDT but accommodates physical addresses of DESCRIPTION HEADERS that are larger than 32-bits. Notice that both the XSDT and the RSDT can be pointed to by the RSDP structure.

## 2.2 Global System State Definitions

Global system states (Gx states) apply to the entire system and are visible to the user.

Global system states are defined by six principal criteria:

1. Does application software run?
2. What is the latency from external events to application response?
3. What is the power consumption?
4. Is an OS reboot required to return to a working state?
5. Is it safe to disassemble the computer?
6. Can the state be entered and exited electronically?

Following is a list of the system states:

### ***G3 Mechanical Off***

A computer state that is entered and left by a mechanical means (for example, turning off the system's power through the movement of a large red switch). It is implied by the entry of this off state through a mechanical means that no electrical current is running through the circuitry and that it can be worked on without damaging the hardware or endangering service personnel. The OS must be restarted to return to the Working state. No hardware context is retained. Except for the real-time clock, power consumption is zero.

### ***G2/S5 Soft Off***

A computer state where the computer consumes a minimal amount of power. No user mode or system mode code is run. This state requires a large latency in order to return to the Working state. The system's context will not be preserved by the hardware. The system must be restarted to return to the Working state. It is not safe to disassemble the machine in this state.

### ***G1 Sleeping***

A computer state where the computer consumes a small amount of power, user mode threads are not being executed, and the system "appears" to be off (from an end user's perspective, the display is off, and so on). Latency for returning to the Working state varies on the wake environment selected prior to entry of this state (for example, whether the system should answer phone calls). Work can be resumed without rebooting the OS because large elements of system context are saved by the hardware and the rest by system software. It is not safe to disassemble the machine in this state.

### ***G0 Working***

A computer state where the system dispatches user mode (application) threads and they execute. In this state, peripheral devices (peripherals) are having their power state changed dynamically. The user can select, through some UI, various performance/power characteristics of the system to have the software optimize for performance or battery life. The system responds to external events in real time. It is not safe to disassemble the machine in this state.

***S4 Non-Volatile Sleep***

A special global system state that allows system context to be saved and restored (relatively slowly) when power is lost to the motherboard. If the system has been commanded to enter S4, the OS will write all system context to a file on non-volatile storage media and leave appropriate context markers. The machine will then enter the S4 state. When the system leaves the Soft Off or Mechanical Off state, transitioning to Working (G0) and restarting the OS, a restore from a NVS file can occur. This will only happen if a valid non-volatile sleep data set is found, certain aspects of the configuration of the machine have not changed, and the user has not manually aborted the restore. If all these conditions are met, as part of the OS restarting, it will reload the system context and activate it. The net effect for the user is what looks like a resume from a Sleeping (G1) state (albeit slower). The aspects of the machine configuration that must not change include, but are not limited to, disk layout and memory size. It might be possible for the user to swap a PC Card or a Device Bay device, however.

Notice that for the machine to transition directly from the Soft Off or Sleeping states to S4, the system context must be written to non-volatile storage by the hardware; entering the Working state first so that the OS or BIOS can save the system context takes too long from the user's point of view. The transition from Mechanical Off to S4 is likely to be done when the user is not there to see it.

Because the S4 state relies only on non-volatile storage, a machine can save its system context for an arbitrary period of time (on the order of many years).

**Table 2-1 Summary of Global Power States**

<b>Global system state</b>	<b>Software runs</b>	<b>Latency</b>	<b>Power consumption</b>	<b>OS restart required</b>	<b>Safe to disassemble computer</b>	<b>Exit state electronically</b>
G0 Working	Yes	0	Large	No	No	Yes
G1 Sleeping	No	>0, varies with sleep state	Smaller	No	No	Yes
G2/S5 Soft Off	No	Long	Very near 0	Yes	No	Yes
G3 Mechanical Off	No	Long	RTC battery	Yes	Yes	No

Notice that the entries for G2/S5 and G3 in the Latency column of the above table are "Long." This implies that a platform designed to give the user the appearance of "instant-on," similar to a home appliance device, will use the G0 and G1 states almost exclusively (the G3 state may be used for moving the machine or repairing it).



## 2.3 Device Power State Definitions

Device power states are states of particular devices; as such, they are generally not visible to the user. For example, some devices may be in the Off state even though the system as a whole is in the Working state.

Device states apply to any device on any bus. They are generally defined in terms of four principal criteria:

- **Power consumption.** How much power the device uses.
- **Device context.** How much of the context of the device is retained by the hardware. The OS is responsible for restoring any lost device context (this may be done by resetting the device).
- **Device driver.** What the device driver must do to restore the device to full on.
- **Restore time.** How long it takes to restore the device to full on.

The device power states are defined below, although very generically. Many devices do not have all four power states defined. Devices may be capable of several different low-power modes, but if there is no user-perceptible difference between the modes, only the lowest power mode will be used. The Device Class Power Management Specifications, included in Appendix A of this specification, describe which of these power states are defined for a given type (class) of device and define the specific details of each power state for that device class. For a list of the available *Device Class Power Management Specifications*, see “Appendix A: Device Class Specifications.”

### *D3 (Off)*

Power has been fully removed from the device. The device context is lost when this state is entered, so the OS software will reinitialize the device when powering it back on. Since device context and power are lost, devices in this state do not decode their address lines. Devices in this state have the longest restore times. All classes of devices define this state.

### *D3hot*

The meaning of the D3hot State is defined by each device class. Devices in the D3hot State are required to be software enumerable. In general, D3hot is expected to save more power and optionally preserve device context. If device context is lost when this state is entered, the OS software will reinitialize the device when transitioning to D0. Devices in this state can have long restore times. All classes of devices define this state.

NOTE: The D3hot state differs from the D3 state in two distinct parameters; the main power rail is present and software can access a device in D3hot. For devices that support both D3hot and D3 exposed to OSPM via `_PR3`, device software/drivers must always assume OSPM will target D3 and must assume device context will be lost.

### *D2*

The meaning of the D2 Device State is defined by each device class. Many device classes may not define D2. In general, D2 is expected to save more power and preserve less device context than D1 or D0. Buses in D2 may cause the device to lose some context (for example, by reducing power on the bus, thus forcing the device to turn off some of its functions).

### *D1*

The meaning of the D1 Device State is defined by each device class. Many device classes may not define D1. In general, D1 is expected to save less power and preserve more device context than D2.

### *D0 (Fully-On)*

This state is assumed to be the highest level of power consumption. The device is completely active and responsive, and is expected to remember all relevant context continuously.

**Table 2-2 Summary of Device Power States**

Device State	Power Consumption	Device Context Retained	Driver Restoration
D0 - Fully-On	As needed for operation	All	None
D1	D0>D1>D2> D3hot>D3	>D2	<D2
D2	D0>D1>D2> D3hot>D3	<D1	>D1
D3hot	D0>D1>D2>D3hot>D3	Optional	None <->Full initialization and load
D3 - Off	0	None	Full initialization and load

**Note:** Devices often have different power modes within a given state. Devices can use these modes as long as they can automatically transparently switch between these modes from the software, without violating the rules for the current  $D_x$  state the device is in. Low-power modes that adversely affect performance (in other words, low speed modes) or that are not transparent to software cannot be done automatically in hardware; the device driver must issue commands to use these modes.

## 2.4 Sleeping State Definitions

Sleeping states ( $S_x$  states) are types of sleeping states within the global sleeping state, G1. The  $S_x$  states are briefly defined below. For a detailed definition of the system behavior within each  $S_x$  state, see section 7.3.4, “System \\_  $S_x$  States.” For a detailed definition of the transitions between each of the  $S_x$  states, see section 15.1, “Sleeping States.”

### *S1 Sleeping State*

The S1 sleeping state is a low wake latency sleeping state. In this state, no system context is lost (CPU or chip set) and hardware maintains all system context.

### *S2 Sleeping State*

The S2 sleeping state is a low wake latency sleeping state. This state is similar to the S1 sleeping state except that the CPU and system cache context is lost (the OS is responsible for maintaining the caches and CPU context). Control starts from the processor’s reset vector after the wake event.

### *S3 Sleeping State*

The S3 sleeping state is a low wake latency sleeping state where all system context is lost except system memory. CPU, cache, and chip set context are lost in this state. Hardware maintains memory context and restores some CPU and L2 configuration context. Control starts from the processor’s reset vector after the wake event.

### *S4 Sleeping State*

The S4 sleeping state is the lowest power, longest wake latency sleeping state supported by ACPI. In order to reduce power to a minimum, it is assumed that the hardware platform has powered off all devices. Platform context is maintained.

### *S5 Soft Off State*

The S5 state is similar to the S4 state except that the OS does not save any context. The system is in the “soft” off state and requires a complete boot when it wakes. Software uses a different state value to distinguish between the S5 state and the S4 state to allow for initial boot operations within the BIOS to distinguish whether or not the boot is going to wake from a saved memory image.

## 2.5 Processor Power State Definitions

Processor power states ( $C_x$  states) are processor power consumption and thermal management states within the global working state, G0. The  $C_x$  states possess specific entry and exit semantics and are briefly defined below. For a more detailed definition of each  $C_x$  state, see section 8.1, “Processor Power States.”

***C0 Processor Power State***

While the processor is in this state, it executes instructions.

***C1 Processor Power State***

This processor power state has the lowest latency. The hardware latency in this state must be low enough that the operating software does not consider the latency aspect of the state when deciding whether to use it. Aside from putting the processor in a non-executing power state, this state has no other software-visible effects.

***C2 Processor Power State***

The C2 state offers improved power savings over the C1 state. The worst-case hardware latency for this state is provided via the ACPI system firmware and the operating software can use this information to determine when the C1 state should be used instead of the C2 state. Aside from putting the processor in a non-executing power state, this state has no other software-visible effects.

***C3 Processor Power State***

The C3 state offers improved power savings over the C1 and C2 states. The worst-case hardware latency for this state is provided via the ACPI system firmware and the operating software can use this information to determine when the C2 state should be used instead of the C3 state. While in the C3 state, the processor's caches maintain state but ignore any snoops. The operating software is responsible for ensuring that the caches maintain coherency.

## **2.6 Device and Processor Performance State Definitions**

Device and Processor performance states (Px states) are power consumption and capability states within the active/executing states, C0 for processors and D0 for devices. The Px states are briefly defined below. For a more detailed definition of each Px state from a processor perspective, see section 8.4.4, "Processor Performance Control." For a more detailed definition of each Px state from a device perspective see section 3.6, "Device and Processor Performance States," and the device class specifications in Appendix A.

***P0 Performance State***

While a device or processor is in this state, it uses its maximum performance capability and may consume maximum power.

***P1 Performance State***

In this performance power state, the performance capability of a device or processor is limited below its maximum and consumes less than maximum power.

***Pn Performance State***

In this performance state, the performance capability of a device or processor is at its minimum level and consumes minimal power while remaining in an active state. State  $n$  is a maximum number and is processor or device dependent. Processors and devices may define support for an arbitrary number of performance states not to exceed 16.



### 3 ACPI Overview

Platforms compliant with the ACPI specification provide OSPM with direct and **exclusive** control over the power management and motherboard device configuration functions of a computer. During OS initialization, OSPM **takes over** these functions from legacy implementations such as the APM BIOS, SMM-based firmware, legacy applications, and the PNPBIOS. Having done this, OSPM is responsible for handling motherboard device configuration events as well as for controlling the power, performance, and thermal status of the system based on user preference, application requests and OS imposed Quality of Service (QOS) / usability goals. ACPI provides low-level interfaces that allow OSPM to perform these functions. The functional areas covered by the ACPI specification are:

- **System power management.** ACPI defines mechanisms for putting the computer as a whole in and out of system sleeping states. It also provides a general mechanism for any device to wake the computer.
- **Device power management.** ACPI tables describe motherboard devices, their power states, the power planes the devices are connected to, and controls for putting devices into different power states. This enables the OS to put devices into low-power states based on application usage.
- **Processor power management.** While the OS is idle but not sleeping, it will use commands described by ACPI to put processors in low-power states.
- **Device and processor performance management.** While the system is active, OSPM will transition devices and processors into different performance states, defined by ACPI, to achieve a desirable balance between performance and energy conservation goals as well as other environmental requirements (for example, visibility and acoustics).
- **Configuration / Plug and Play.** ACPI specifies information used to enumerate and configure motherboard devices. This information is arranged hierarchically so when events such as docking and undocking take place, the OS has precise, *a priori* knowledge of which devices are affected by the event.
- **System Events.** ACPI provides a general event mechanism that can be used for system events such as thermal events, power management events, docking, device insertion and removal, and so on. This mechanism is very flexible in that it does not define specifically how events are routed to the core logic chip set.
- **Battery management.** Battery management policy moves from the APM BIOS to the ACPI OS. An ACPI-compatible battery device needs either a Smart Battery subsystem interface, which is controlled by the OS directly through the embedded controller interface, or a Control Method Battery interface. A Control Method Battery interface is completely defined by AML control methods, allowing an OEM to choose any type of the battery and any kind of communication interface supported by ACPI. The battery must comply with the requirements of its interface, as described either herein or in other applicable standards. The OS may choose to alter the behavior of the battery, for example, by adjusting the Low Battery or Battery Warning trip point. When there are multiple batteries present, the battery subsystem is not required to perform any synthesis of a “composite battery” from the data of the separate batteries. In cases where the battery subsystem does not synthesize a “composite battery” from the separate battery’s data, the OS must provide that synthesis.
- **Thermal management.** Since the OS controls the power and performance states of devices and processors, ACPI also addresses system thermal management. It provides a simple, scalable model that allows OEMs to define thermal zones, thermal indicators, and methods for cooling thermal zones.
- **Embedded Controller.** ACPI defines a standard hardware and software communications interface between an OS bus enumerator and an embedded controller. This allows any OS to provide a standard bus enumerator that can directly communicate with an embedded controller in the system, thus allowing other drivers within the system to communicate with and use the resources of system embedded controllers. This in turn enables the OEM to provide platform features that the OS and applications can use.

- **SMBus Controller.** ACPI defines a standard hardware and software communications interface between an OS bus driver and an SMBus Controller. This allows any OS to provide a standard bus driver that can directly communicate with SMBus devices in the system. This in turn enables the OEM to provide platform features that the OS and applications can use.

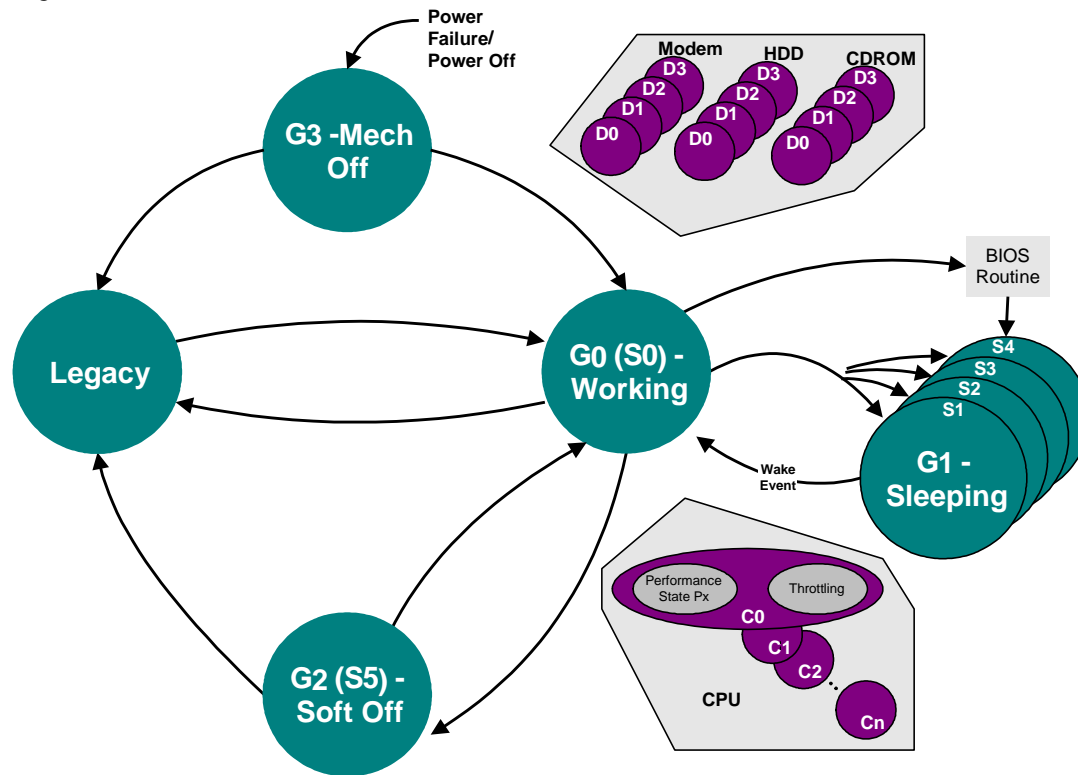
OSPM's mission is to optimally configure the platform and to optimally manage the system's power, performance, and thermal status given the user's preferences and while supporting OS imposed Quality of Service (QoS) / usability goals. To achieve these goals, ACPI requires that once an ACPI compliant platform is in ACPI mode, the platform's hardware, firmware, or other non-OS software **must not** manipulate the platform's configuration, power, performance, and thermal control interfaces independently of OSPM. OSPM alone is responsible for coordinating the configuration, power management, performance management, and thermal control policy of the system. Manipulation of these interfaces independently of OSPM undermines the purpose of OSPM/ACPI and may adversely impact the system's configuration, power, performance, and thermal policy goals. There are two exceptions to this requirement. The first is in the case of the possibility of damage to a system from an excessive thermal conditions where an ACPI compatible OS is present and OSPM latency is insufficient to remedy an adverse thermal condition. In this case, the platform may exercise a failsafe thermal control mechanism that reduces the performance of a system component to avoid damage. If this occurs, the platform must notify OSPM of the performance reduction if the reduction is of significant duration (in other words, if the duration of reduced performance could adversely impact OSPM's power or performance control policy - operating system vendors can provide guidance in this area). The second exception is the case where the platform contains Active cooling devices but does not contain Passive cooling temperature trip points or controls,. In this case, a hardware based Active cooling mechanism may be implemented without impacting OSPM's goals. Any platform that requires **both** active and passive cooling must allow OSPM to manage the platform thermals via ACPI defined active and passive cooling interfaces.

### 3.1 System Power Management

Under OSPM, the OS directs all system and device power state transitions. Employing user preferences and knowledge of how devices are being used by applications, the OS puts devices in and out of low-power states. Devices that are not being used can be turned off. Similarly, the OS uses information from applications and user settings to put the system as a whole into a low- power state. The OS uses ACPI to control power state transitions in hardware.

## 3.2 Power States

From a user-visible level, the system can be thought of as being in one of the states in the following diagram:



**Figure 3-1 Global System Power States and Transitions**

See section 2.2, “Global System State Definitions,” for detailed definitions of these states.

In general use, computers alternate between the Working and Sleeping states. In the Working state, the computer is used to do work. User-mode application threads are dispatched and running. Individual devices can be in low-power ( $D_x$ ) states and processors can be in low-power ( $C_x$ ) states if they are not being used. Any device the system turns off because it is not actively in use can be turned on with short latency. (What “short” means depends on the device. An LCD display needs to come on in sub-second times, while it is generally acceptable to wait a few seconds for a printer to wake.)

The net effect of this is that the entire machine is functional in the Working state. Various Working sub-states differ in speed of computation, power used, heat produced, and noise produced. Tuning within the Working state is largely about trade-offs among speed, power, heat, and noise.

When the computer is idle or the user has pressed the power button, the OS will put the computer into one of the sleeping ( $S_x$ ) states. No user-visible computation occurs in a sleeping state. The sleeping sub-states differ in what events can arouse the system to a Working state, and how long this takes. When the machine must awaken to all possible events or do so very quickly, it can enter only the sub-states that achieve a partial reduction of system power consumption. However, if the only event of interest is a user pushing on a switch and a latency of minutes is allowed, the OS could save all system context into an NVS file and transition the hardware into the S4 sleeping state. In this state, the machine draws almost zero power and retains system context for an arbitrary period of time (years or decades if needed).

The other states are used less often. Computers that support legacy BIOS power management interfaces boot in the Legacy state and transition to the Working state when an ACPI OS loads. A system without legacy support (for example, a RISC system) transitions directly from the Mechanical Off state to the Working state. Users typically put computers into the Mechanical Off state by flipping the computer's mechanical switch or by unplugging the computer.

### 3.2.1 Power Button

In legacy systems, the power button typically either forces the machine into Soft Off or Mechanical Off or, on a laptop, forces it to some sleeping state. No allowance is made for user policy (such as the user wants the machine to "come on" in less than 1 second with all context as it was when the user turned the machine "off"), system alert functions (such as the system being used as an answering machine or fax machine), or application function (such as saving a user file).

In an OSPM system, there are two switches. One is to transition the system to the Mechanical Off state. A mechanism to stop current flow is required for legal reasons in some jurisdictions (for example, in some European countries). The other is the "main" power button. This is in some obvious place (for example, beside the keyboard on a laptop). Unlike legacy on/off buttons, all it does is send a request to the system. What the system does with this request depends on policy issues derived from user preferences, user function requests, and application data.

### 3.2.2 Platform Power Management Characteristics

#### 3.2.2.1 Mobile PC

Mobile PCs will continue to have aggressive power management functionality. Going to OSPM/ACPI will allow enhanced power savings techniques and more refined user policies.

Aspects of mobile PC power management in the ACPI specification are thermal management (see section 11, "Thermal Management") and the embedded controller interface (see section 12, "ACPI Embedded Controller Interface Specification").

#### 3.2.2.2 Desktop PCs

Power-managed desktops will be of two types, though the first type will migrate to the second over time.

- **Ordinary "Green PC."** Here, new appliance functions are not the issue. The machine is really only used for productivity computations. At least initially, such machines can get by with very minimal function. In particular, they need the normal ACPI timers and controls, but don't need to support elaborate sleeping states, and so on. They, however, do need to allow the OS to put as many of their devices/resources as possible into device standby and device off states, as independently as possible (to allow for maximum compute speed with minimum power wasted on unused devices). Such PCs will also need to support wake from the sleeping state by means of a timer, because this allows administrators to force them to turn on just before people are to show up for work.
- **Home PC.** Computers are moving into home environments where they are used in entertainment centers and to perform tasks like answering the phone. A home PC needs all of the functionality of the ordinary green PC. In fact, it has all of the ACPI power functionality of a laptop except for docking and lid events (and need not have any legacy power management). Note that there is also a thermal management aspect to a home PC, as a home PC user wants the system to run as quietly as possible, often in a thermally constrained environment.

#### 3.2.2.3 Multiprocessor and Server PCs

Perhaps surprisingly, server machines often get the largest absolute power savings. Why? Because they have the largest hardware configurations and because it's not practical for somebody to hit the off switch when they leave at night.



- **Day Mode.** In day mode, servers are power-managed much like a corporate ordinary green PC, staying in the Working state all the time, but putting unused devices into low-power states whenever possible. Because servers can be very large and have, for example, many disk spindles, power management can result in large savings. OSPM allows careful tuning of when to do this, thus making it workable.
- **Night Mode.** In night mode, servers look like home PCs. They sleep as deeply as they can and are still able to wake and answer service requests coming in over the network, phone links, and so on, within specified latencies. So, for example, a print server might go into deep sleep until it receives a print job at 3 A.M., at which point it wakes in perhaps less than 30 seconds, prints the job, and then goes back to sleep. If the print request comes over the LAN, then this scenario depends on an intelligent LAN adapter that can wake the system in response to an interesting received packet.

### 3.3 Device Power Management

This section describes ACPI-compatible device power management. The ACPI device power states are introduced, the controls and information an ACPI-compatible OS needs to perform device power management are discussed, the wake operation devices use to wake the computer from a sleeping state is described, and an example of ACPI-compatible device management using a modem is given.

#### 3.3.1 Power Management Standards

To manage power of all the devices in the system, the OS needs standard methods for sending commands to a device. These standards define the operations used to manage power of devices on a particular I/O interconnect and the power states that devices can be put into. Defining these standards for each I/O interconnect creates a baseline level of power management support the OS can utilize. Independent Hardware Vendors (IHVs) do not have to spend extra time writing software to manage power of their hardware, because simply adhering to the standard gains them direct OS support. For OS vendors, the I/O interconnect standards allow the power management code to be centralized in the driver for each I/O interconnect. Finally, I/O interconnect-driven power management allows the OS to track the states of all devices on a given I/O interconnect. When all the devices are in a given state (or example, D3 - off), the OS can put the entire I/O interconnect into the power supply mode appropriate for that state (for example, D3 - off).

I/O interconnect-level power management specifications are written for a number of buses including:

- PCI
- PCI Express
- CardBus
- USB
- IEEE 1394

#### 3.3.2 Device Power States

To unify nomenclature and provide consistent behavior across devices, standard definitions are used for the power states of devices. Generally, these states are defined in terms of the following criteria:

- **Power consumption.** How much power the device uses.
- **Device context** How much of the context of the device is retained by the hardware.
- **Device driver.** What the device driver must do to restore the device to fully on.
- **Restore latency.** How long it takes to restore the device to fully on.

More specifically, power management specifications for each class of device (for example, modem, network adapter, hard disk, and so on) more precisely define the power states and power policy for the class. See section 2.3, “Device Power State Definitions,” for the detailed description of the general device power states (D0-D3).

### 3.3.3 Device Power State Definitions

The device power state definitions are device-independent, but classes of devices on a bus must support some consistent set of power-related characteristics. For example, when the bus-specific mechanism to set the device power state to a given level is invoked, the actions a device might take and the specific sorts of behaviors the OS can assume while the device is in that state will vary from device type to device type. For a fully integrated device power management system, these class-specific power characteristics must also be standardized:

- **Device Power State Characteristics.** Each class of device has a standard definition of target power consumption levels, state-change latencies, and context loss.
- **Minimum Device Power Capabilities.** Each class of device has a minimum standard set of power capabilities.
- **Device Functional Characteristics.** Each class of device has a standard definition of what subset of device functionality or features is available in each power state (for example, the net card can receive, but cannot transmit; the sound card is fully functional except that the power amps are off, and so on).
- **Device Wakeup Characteristics.** Each class of device has a standard definition of its wake policy.

The Microsoft Device Class Power Management specifications define these power state characteristics for each class of device.

## 3.4 Controlling Device Power

ACPI interfaces provides control and information needed to perform device power management. ACPI interfaces describe to OSPM the capabilities of all the devices it controls. It also gives the OS the control methods used to set the power state or get the power status for each device. Finally, it has a general scheme for devices to wake the machine.

**Note:** Other buses enumerate some devices on the main board. For example, PCI devices are reported through the standard PCI enumeration mechanisms. Power management of these devices is handled through their own bus specification (in this case, PCI). All other devices on the main board are handled through ACPI. Specifically, the ACPI table lists legacy devices that cannot be reported through their own bus specification, the root of each bus in the system, and devices that have additional power management or configuration options not covered by their own bus specification.

For more detailed information see section 7, “Power and Performance Management.”

### 3.4.1 Getting Device Power Capabilities

As the OS enumerates devices in the system, it gets information about the power management features that the device supports. The Differentiated Definition Block given to the OS by the BIOS describes every device handled by ACPI. This description contains the following information:

- A description of what power resources (power planes and clock sources) the device needs in each power state that the device supports. For example, a device might need a high power bus and a clock in the D0 state but only a low-power bus and no clock in the D2 state.
- A description of what power resources a device needs in order to wake the machine (or none to indicate that the device does not support wake). The OS can use this information to infer what device and system power states from which the device can support wake.
- The optional control method the OS can use to set the power state of the device and to get and set resources.

In addition to describing the devices handled by ACPI, the table lists the power planes and clock sources themselves and the control methods for turning them on and off. For detailed information, see section 7, “Power and Performance Management.”

### 3.4.2 Setting Device Power States

OSPM uses the Set Power State operation to put a device into one of the four power states.

When a device is put in a lower power state, it configures itself to draw as little power from the bus as possible. The OS tracks the state of all devices on the bus, and will put the bus in the best power state based on the current device requirements on that bus. For example, if all devices on a bus are in the D3 state, the OS will send a command to the bus control chip set to remove power from the bus (thus putting the bus in the D3 state). If a particular bus supports a low-power supply state, the OS puts the bus in that state if all devices are in the D1 or D2 state. Whatever power state a device is in, the OS must be able to issue a Set Power State command to resume the device.

**Note:** The device does not need to have power to do this. The OS must turn on power to the device before it can send commands to the device.

OSPM also uses the Set Power State operation to enable power management features such as wake (described in section 7, “Power and Performance Management.”).

When a device is to be set in a particular power state using the ACPI interface, the OS first decides which power resources will be used and which can be turned off. The OS tracks all the devices on a given power resource. When all the devices on a resource have been turned off, the OS turns off that power resource by running a control method. If a power resource is turned off and one of the devices on that resource needs to be turned on, the OS first turns on the power resource using a control method and then signals the device to turn on. The time that the OS must wait for the power resource to stabilize after turning it on or off is described in the description table. The OS uses the time base provided by the Power Management Timer to measure these time intervals.

Once the power resources have been switched, the OS executes the appropriate control method to put the device in that power state. Notice that this might not mean that power is removed from the device. If other active devices are sharing a power resource, the power resources will remain on.

### 3.4.3 Getting Device Power Status

OSPM uses the Get Power Status operation to determine the current power configuration (states and features), as well as the status of any batteries supported by the device. The device can signal an SCI to inform the OS of changes in power status. For example, a device can trigger an interrupt to inform the OS that the battery has reached low power level.

Devices use the ACPI event model to signal power status changes (for example, battery status changes) to OSPM. The platform signals events to the OS via the SCI interrupt. An SCI interrupt status bit is set to indicate the event to the OS. The OS runs the control method associated with the event. This control method signals to the OS which device has changed.

ACPI supports two types of batteries: batteries that report only basic battery status information and batteries that support the Smart Battery System Implementers Forum Smart Battery Specification. For batteries that report only basic battery status information (such as total capacity and remaining capacity), the OS uses control methods from the battery’s description table to read this information. To read status information for Smart Batteries, the OS can use a standard Smart Battery driver that directly interfaces to Smart Batteries through the appropriate bus enumerator.

### 3.4.4 Waking the Computer

The wake operation enables devices to wake the computer from a sleeping power state. This operation must not depend on the CPU because the CPU will not be executing instructions.

The OS ensures any bridges between the device and the core logic are in the lowest power state in which they can still forward the wake signal. When a device with wake enabled decides to wake the machine, it sends the defined signal on its bus. Bus bridges must forward this signal to upstream bridges using the appropriate signal for that bus. Thus, the signal eventually reaches the core chip set (for example, an ACPI chip set), which in turn wakes the machine.

Before putting the machine in a sleeping power state, the OS determines which devices are needed to wake the machine based on application requests, and then enables wake on those devices in a device and bus specific manner.

The OS enables the wake feature on devices by setting that device's SCI Enable bit. The location of this bit is listed in the device's entry in the description table. Only devices that have their wake feature enabled can wake the machine. The OS keeps track of the power states that the wake devices support, and keeps the machine in a power state in which the wake can still wake the machine<sup>1</sup> (based on capabilities reported in the description table).

When the computer is in the Sleeping state and a wake device decides to wake the machine, it signals to the ACPI chip set. The SCI status bit corresponding to the device waking the machine is set, and the ACPI chip set resumes the machine. After the OS is running again, it clears the bit and handles the event that caused the wake. The control method for this event then uses the Notify command to tell the OS which device caused the wake.

Note: Besides using ACPI mechanism to enable a particular device to wake the system, an ACPI platform must also be able to record and report the wake source to OSPM. When a system is woken from certain states (such as the S4 state), it may start out in non-ACPI mode. In this case, the SCI status bit may be cleared when ACPI mode is re-entered. However the platform must still attempt to record the wake source for retrieval by OSPM at a later point.

Note: Although the above description explains how a device can wake the system, note that a device can also be put into a low power state during the S0 system state, and that this device may generate a wake signal in the S0 state as the following example illustrates.

---

<sup>1</sup> Some OS policies may require the OS to put the machine into a global system state for which the device can no longer wake the system. Such as when a system has very low battery power.

### 3.4.5 Example: Modem Device Power Management

To illustrate how these power management methods function in ACPI, consider an integrated modem. (This example is greatly simplified for the purposes of this discussion.) The power states of a modem are defined as follows (this is an excerpt from the Modem Device Class Power Management Specification):

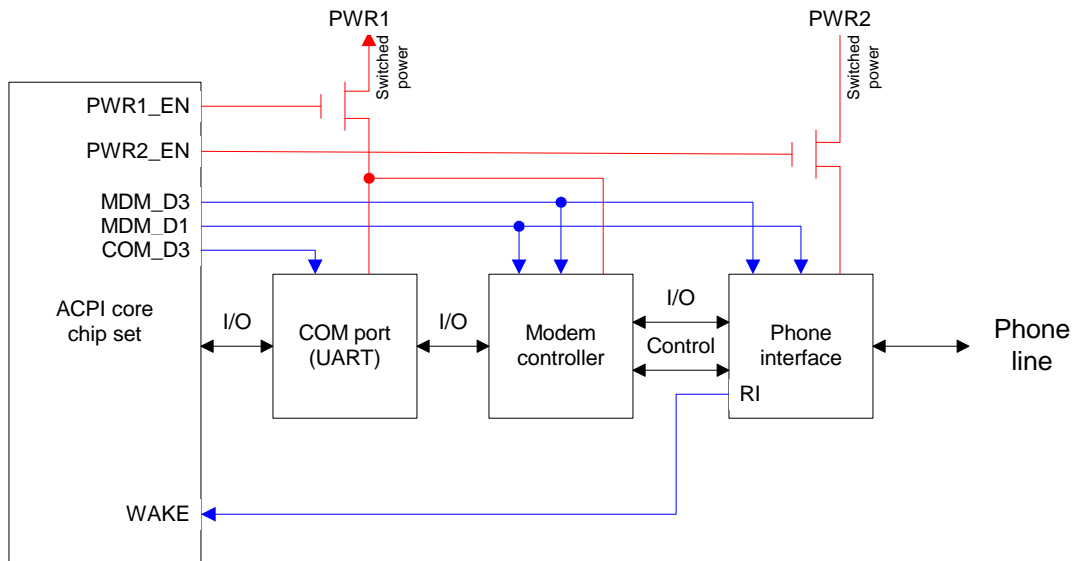
- D0** Modem controller on  
Phone interface on  
Speaker on  
Can be on hook or off hook  
Can be waiting for answer
- D1** Modem controller in low-power mode (context retained by device)  
Phone interface powered by phone line or in low-power mode  
Speaker off  
Must be on hook
- D2** Same as **D3**
- D3** Modem controller off (context lost)  
Phone interface powered by phone line or off  
Speaker off  
On hook

The power policy for the modem is defined as follows:

- D3**  **D0** COM port opened
- D0, D1**  **D3** COM port closed
- D0**  **D1** Modem put in answer mode
- D1**  **D0** Application requests dial or the phone rings while the modem is in answer mode

The wake policy for the modem is very simple: When the phone rings and wake is enabled, wake the machine.

Based on that policy, the modem and the COM port to which it is attached can be implemented in hardware as shown in Figure 3-2. This is just an example for illustrating features of ACPI. This example is not intended to describe how OEMs should build hardware.



**Figure 3-2 Example Modem and COM Port Hardware**

**Note:** Although not shown above, each discrete part has some isolation logic so that the part is isolated when power is removed from it. Isolation logic controls are implemented as power resources in the ACPI Differentiated Description Block so that devices are isolated as power planes are sequenced off.

### 3.4.5.1 Obtaining the Modem Capabilities

The OS determines the capabilities of this modem when it enumerates the modem by reading the modem's entry in the Differentiated Definition Block. In this case, the entry for the modem would report:

The device supports **D0**, **D1**, and **D3**:

**D0** requires PWR1 and PWR2 as power resources

**D1** requires PWR1 as a power resource

(**D3** implicitly requires no power resources)

To wake the machine, the modem needs no power resources (implying it can wake the machine from **D0**, **D1**, and **D3**)

Control methods for setting power state and resources

### 3.4.5.2 Setting the Modem Power State

While the OS is running (G0 state), it switches the modem to different power states according to the power policy defined for modems.

When an application opens the COM port, the OS turns on the modem by putting it in the D0 state. Then if the application puts the modem in answer mode, the OS puts the modem in the D1 state to wait for the call. To make this state transition, the ACPI first checks to see what power resources are no longer needed. In this case, PWR2 is not needed. Then it checks to make sure no other device in the system requires the use of the PWR2 power resource. If the resource is no longer needed, the OSPM uses the `_OFF` control method associated with that power resource in the Differentiated Definition Block to turn off the PWR2 power plane. This control method sends the appropriate commands to the core chip set to stop asserting the `PWR2_EN` line. Then, OSPM runs a control method (`_PS1`) provided in the modem's entry to put the device in the D1 state. This control method asserts the `MDM_D1` signal that tells the modem controller to go into a low-power mode.

OSPM does not always turn off power resources when a given device is put in a lower power state. For example, assume that the PWR1 power plane also powers an active line printer (LPT) port. Suppose the user terminates the modem application, causing the COM port to be closed, and therefore causing the modem to be shut off (state D3). As always, OSPM checks to see which power resources are no longer needed. Because the LPT port is still active, PWR1 is in use. OSPM does not turn off the PWR1 resource. It continues the state transition process by running the modem's control method to switch the device to the D3 power state. The control method causes the `MDM_D3` line to be asserted. The modem controller now turns off all its major functions so that it draws little power, if any, from the PWR1 line. Because the COM port is closed, the same sequence of events will take place to put it in the D3 state. Notice that these registers might not be in the device itself. For example, the control method could read the register that controls `MDM_D3`.

### 3.4.5.3 Obtaining the Modem Power Status

Integrated modems have no batteries; the only power status information for the device is the power state of the modem. To determine the modem's current power state (D0-D3), OSPM runs a control method (`_PSC`) supplied in the modem's entry in the Differentiated Definition Block. This control method reads from the necessary registers to determine the modem's power state.

### 3.4.5.4 Waking the Computer

As indicated in the modem capabilities, this modem can wake the machine from any device power state. Before putting the computer in a sleep state, the OS enables wake on any devices that applications have requested to be able to wake the machine. Then, it chooses the lowest sleeping state that can still provide the power resources necessary to allow all enabled wake devices to wake the machine. Next, the OS puts each of those devices in the appropriate power state, and puts all other devices in the D3 state. In this case, the OS puts the modem in the D3 state because it supports wake from that state. Finally, the OS saves a resume vector and puts the machine into a sleep state through an ACPI register.

Waking the computer via modem starts with the modem's phone interface asserting its ring indicate (RI) line when it detects a ring on the phone line. This line is routed to the core chip set to generate a wake event. The chip set then wakes the system and the hardware will eventually pass control back to the OS (the wake mechanism differs depending on the sleeping state). After the OS is running, it puts the device in the D0 state and begins handling interrupts from the modem to process the event.

### 3.5 Processor Power Management

To further save power in the Working state, the OS puts the CPU into low-power states (C1, C2, and C3) when the OS is idle. In these low-power states, the CPU does not run any instructions, and wakes when an interrupt, such as the OS scheduler's timer interrupt, occurs.

The OS determines how much time is being spent in its idle loop by reading the ACPI Power Management Timer. This timer runs at a known, fixed frequency and allows the OS to precisely determine idle time. Depending on this idle time estimate, the OS will put the CPU into different quality low-power states (which vary in power and latency) when it enters its idle loop.

The CPU states are defined in detail in section 8, "Processor Configuration and Control."

### 3.6 Device and Processor Performance States

This section describes the concept of device and processor performance states. Device and processor performance states (Px states) are power consumption and capability states within the active/executing states, C0 for processors and D0 for devices. Performance states allow OSPM to make tradeoffs between performance and energy conservation. Device and processor performance states have the greatest impact when the states invoke different device and processor efficiency levels as opposed to a linear scaling of performance and energy consumption. Since performance state transitions occur in the active/executing device states, care must be taken to ensure that performance state transitions do not adversely impact the system.

Examples of device performance states include:

- A hard drive that provides levels of maximum throughput that correspond to levels of power consumption.
- An LCD panel that supports multiple brightness levels that correspond to levels of power consumption.
- A graphics component that scales performance between 2D and 3D drawing modes that corresponds to levels of power consumption.
- An audio subsystem that provides multiple levels of maximum volume that correspond to levels of maximum power consumption.
- A Direct-RDRAM<sup>TM</sup> controller that provides multiple levels of memory throughput performance, corresponding to multiple levels of power consumption, by adjusting the maximum bandwidth throttles.

Processor performance states are described in Section 8, "Processor Configuration and Control."

### 3.7 Configuration and "Plug and Play"

In addition to power management, ACPI interfaces provide controls and information that enable OSPM to configure the required resources of motherboard devices along with their dynamic insertion and removal. ACPI Definition Blocks, including the Differentiated System Description Table (DSDT) and Secondary System Description Tables (SSDTs), describe motherboard devices in a hierarchical format called the ACPI namespace. The OS enumerates motherboard devices simply by reading through the ACPI Namespace looking for devices with hardware IDs.

Each device enumerated by ACPI includes ACPI-defined objects in the ACPI Namespace that report the hardware resources that the device could occupy, an object that reports the resources that are currently used by the device, and objects for configuring those resources. The information is used by the Plug and Play OS (OSPM) to configure the devices.

ACPI is used primarily to enumerate and configure motherboard devices that do not have other hardware standards for enumeration and configuration. For example, PCI devices on the motherboard need not be enumerated by ACPI; Plug and Play information for these devices need not be included in the ACPI Namespace. However, power management information and insertion/removal control for these devices can still appear in the namespace if the devices' power management and/or insertion/removal is to be controlled by OSPM via ACPI-defined interfaces.



**Note:** When preparing to boot a computer, the BIOS only needs to configure boot devices. This includes boot devices described in the ACPI system description tables as well as devices that are controlled through other standards.

### 3.7.1 Device Configuration Example: Configuring the Modem

Returning to the modem device example above, the OS will find the modem and load a driver for it when the OS finds it in the DSDT. This table will have control methods that give the OS the following information:

- The device can use IRQ 3, I/O 3F8-3FF or IRQ 4, I/O 2E8-2EF
- The device is currently using IRQ 3, I/O 3F8-3FF

The OS configures the modem's hardware resources using Plug and Play algorithms. It chooses one of the supported configurations that does not conflict with any other devices. Then, OSPM configures the device for those resources by running a control method supplied in the modem's section of the Differentiated Definition Block. This control method will write to any I/O ports or memory addresses necessary to configure the device to the given resources.

### 3.7.2 NUMA Nodes

Systems employing a Non Uniform Memory Access (NUMA) architecture contain collections of hardware resources including processors, memory, and I/O buses, that comprise what is commonly known as a "NUMA node". Processor accesses to memory or I/O resources within the local NUMA node is generally faster than processor accesses to memory or I/O resources outside of the local NUMA node. ACPI defines interfaces that allow the platform to convey NUMA node topology information to OSPM both statically at boot time and dynamically at run time as resources are added or removed from the system.

## 3.8 System Events

ACPI includes a general event model used for Plug and Play, Thermal, and Power Management events. There are two registers that make up the event model: an event status register and an event enable register.

When an event occurs, the core logic sets a bit in the status register to indicate the event. If the corresponding bit in the enable register is set, the core logic will assert the SCI to signal the OS. When the OS receives this interrupt, it will run the control methods corresponding to any bits set in the event status register. These control methods use AML commands to tell the OS what event occurred.

For example, assume a machine has all of its Plug and Play, Thermal, and Power Management events connected to the same pin in the core logic. The event status and event enable registers would only have one bit each: the bit corresponding to the event pin.

When the computer is docked, the core logic sets the status bit and signals the SCI. The OS, seeing the status bit set, runs the control method for that bit. The control method checks the hardware and determines the event was a docking event (for example). It then signals to the OS that a docking event has occurred, and can tell the OS specifically where in the device hierarchy the new devices will appear.

Since the event model registers are generalized, they can describe many different platform implementations. The single pin model above is just one example. Another design might have Plug and Play, Thermal, and Power Management events wired to three different pins so there would be three status bits (and three enable bits). Yet another design might have every individual event wired to its own pin and status bit. This design, at the opposite extreme from the single pin design, allows very complex hardware, yet very simple control methods. Countless variations in wiring up events are possible. However, note that care must be taken to ensure that if events share a signal that the event that generated the signal can be determined in the corresponding event handling control method allowing the proper device notification to be sent.

### 3.9 Battery Management

Battery management policy moves from the APM BIOS to the ACPI-compatible OS. Batteries must comply with the requirements of their associated interfaces, as described either herein or in other applicable standards. The OS may choose to alter the behavior of the battery, for example, by adjusting the Low Battery or Battery Warning trip point. When there are multiple batteries present, the battery subsystem is not required to perform any synthesis of a “composite battery” from the data of the separate batteries. In cases where the battery subsystem does not synthesize a “composite battery” from the separate battery's data, the OS must provide that synthesis.

An ACPI-compatible battery device needs either a Smart Battery subsystem interface or a Control Method Battery interface.

- *Smart Battery* is controlled by the OS directly through the embedded controller (EC). For more information about the ACPI Embedded Controller SMBus interface, see section 12.9, “SMBus Host Controller Interface via Embedded Controller.” For additional information about the Smart Battery subsystem interface, see section 10.1, “Smart Battery Subsystems.”
- *Control Method Battery* is completely accessed by AML code control methods, allowing the OEM to choose any type of battery and any kind of communication interface supported by ACPI. For more information about the Control Method Battery Interface, see section 10.2, “Control Method Batteries.”

This section describes concepts common to all battery types.

#### 3.9.1 Battery Communications

Both the Smart Battery and Control Method Battery interfaces provide a mechanism for the OS to query information from the platform's battery system. This information may include full charged capacity, present battery capacity, rate of discharge, and other measures of the battery's condition. All battery system types must provide notification to the OS when there is a change such as inserting or removing a battery, or when a battery starts or stops discharging. Smart Batteries and some Control Method Batteries are also able to give notifications based on changes in capacity. Smart batteries provide extra information such as estimated run-time, information about how much power the battery is able to provide, and what the run-time would be at a predetermined rate of consumption.

### 3.9.2 Battery Capacity

Each battery must report its designed capacity, latest full-charged capacity, and present remaining capacity. Remaining capacity decreases during usage, and it also changes depending on the environment. Therefore, the OS must use latest full-charged capacity to calculate the battery percentage. In addition the battery system must report warning and low battery levels at which the user must be notified and the system transitioned to a sleeping state. See Figure 3-3 for the relation of these five values.

A system may use either rate and capacity [mA/mAh] or power and energy [mW/mWh] for the unit of battery information calculation and reporting. Mixing [mA] and [mW] is not allowed on a system.

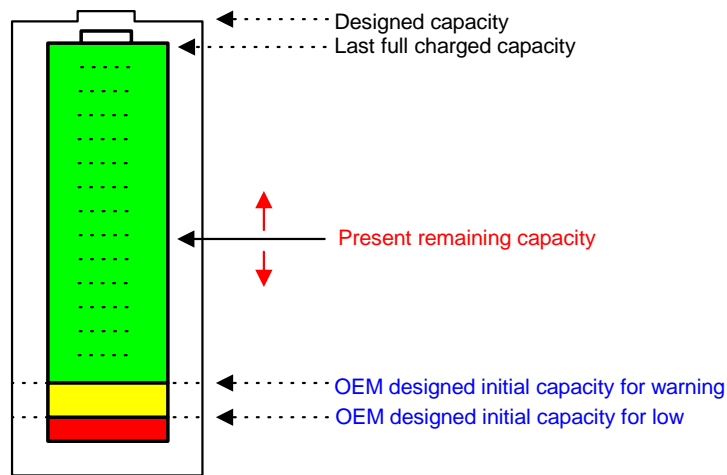


Figure 3-3 Reporting Battery Capacity

### 3.9.3 Battery Gas Gauge

At the most basic level, the OS calculates Remaining Battery Percentage [%] using the following formula:

$$\text{Remaining Battery Percentage}[\%] = \frac{\text{Battery Remaining Capacity [mAh/mWh]}}{\text{Last Full Charged Capacity [mAh/mWh]}} * 100$$

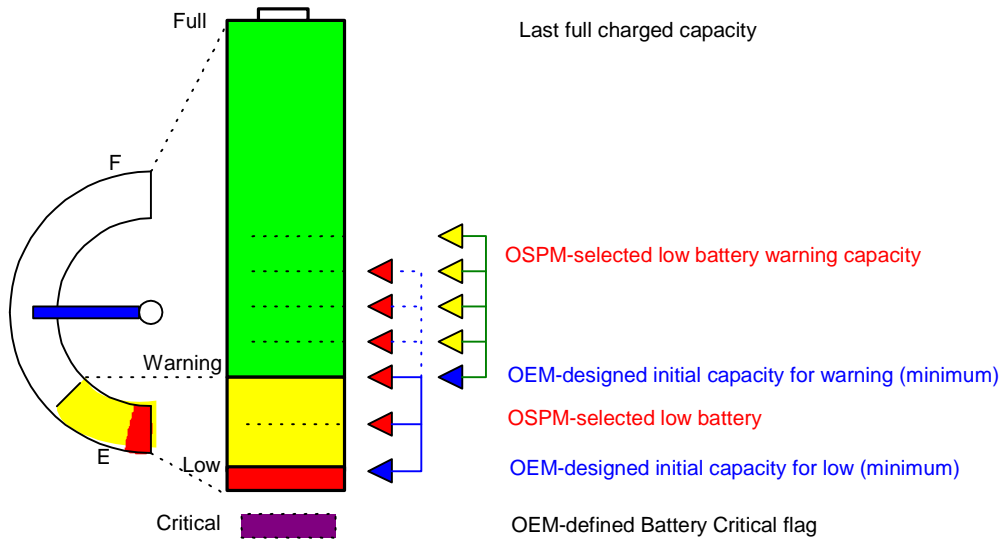
Control Method Battery also reports the Present Drain Rate [mA or mW] for calculating the remaining battery life. At the most basic level, Remaining Battery life is calculated by following formula:

$$\text{Remaining Battery Life [h]} = \frac{\text{Battery Remaining Capacity [mAh/mWh]}}{\text{Battery Present Drain Rate [mA/mW]}}$$

Smart Batteries also report the present rate of drain, but since they can directly report the estimated run-time, this function should be used instead as it can more accurately account for variations specific to the battery.

### 3.9.4 Low Battery Levels

A system has an OEM-designed initial capacity for warning, initial capacity for low, and a critical battery level or flag. The values for warning and low represent the amount of energy or battery capacity needed by the system to take certain actions. The critical battery level or flag is used to indicate when the batteries in the system are completely drained. OSPM can determine independent warning and low battery capacity values based on the OEM-designed levels, but cannot set these values lower than the OEM-designed values, as shown in the figure below



**Figure 3-4 Low Battery and Warning**

Each Control Method Battery in a system reports the OEM-designed initial warning capacity and OEM-designed initial low capacity as well as a flag to report when that battery has reached or is below its critical energy level. Unlike Control Method Batteries, Smart Batteries are not necessarily specific to one particular machine type, so the OEM-designed warning, low, and critical levels are reported separately in a Smart Battery Table described in section 5.2.13.

The table below describes how these values should be set by the OEM and interpreted by the OS.

**Table 3-1 Low Battery Levels**

Level	Description
<b>Warning</b>	When the total available energy (mWh) or capacity (mAh) in the batteries falls below this level, the OS will notify the user through the UI. This value should allow for a few minutes of run-time before the “Low” level is encountered so the user has time to wrap up any important work, change the battery, or find a power outlet to plug the system in.
<b>Low</b>	This value is an estimation of the amount of energy or battery capacity required by the system to transition to any supported sleeping state. When the OS detects that the total available battery capacity is less than this value, it will transition the system to a user defined system state (S1-S5). In most situations this should be S4 so that system state is not lost if the battery eventually becomes completely empty. The design of the OS should consider that users of a multiple battery system may remove one or more of the batteries in an attempt to replace or charge it. This might result in the remaining capacity falling below the “Low” level not leaving sufficient battery capacity for the OS to safely transition the system into the sleeping state. Therefore, if the batteries are discharging simultaneously, the action might need to be initiated at the point when both batteries reach this level.
<b>Critical</b>	<p>The Critical battery state indicates that all available batteries are discharged and do not appear to be able to supply power to run the system any longer. When this occurs, the OS must attempt to perform an emergency shutdown as described below.</p> <p>For a smart battery system, this would typically occur when all batteries reach a capacity of 0, but an OEM may choose to put a larger value in the Smart Battery Table to provide an extra margin of safety.</p> <p>For a Control Method Battery system with multiple batteries, the flag is reported per battery. If any battery in the system is in a critically low state and is still providing power to the system (in other words, the battery is discharging), the system is considered to be in a critical energy state. The <code>_BST</code> control method is required to return the Critical flag on a discharging battery only when all batteries have reached a critical state; the ACPI BIOS is otherwise required to switch to a non-critical battery.</p>

### 3.9.4.1 Emergency Shutdown

Running until all batteries in a system are critical is not a situation that should be encountered normally, since the system should be put into a sleeping state when the battery becomes low. In the case that this does occur, the OS should take steps to minimize any damage to system integrity. The emergency shutdown procedure should be designed to minimize bad effects based on the assumption that power may be lost at any time. For example, if a hard disk is spun down, the OS should not try to spin it up to write any data, since spinning up the disk and attempting to write data could potentially corrupt files if the write were not completed. Even if a disk is spun up, the decision to attempt to save even system settings data before shutting down would have to be evaluated since reverting to previous settings might be less harmful than having the potential to corrupt the settings if power was lost halfway through the write operation.

### 3.9.5 Battery Calibration

The reported capacity of many batteries generally degrade over time, providing less run time for the user. However, it is possible with many battery systems to provide more useable runtime on an old battery if a calibration or conditioning cycle is run occasionally. The user has typically been able to perform a calibration cycle either by going into the BIOS setup menu, or by running a custom driver and calibration application provided by the OEM. The calibration process typically takes several hours, and the laptop must be plugged in during this time. Ideally the application that controls this should make this as good of a user experience as possible, for example allowing the user to schedule the system to wake up and perform the calibration at some time when the system will not be in use. Since the calibration user experience does not need to be different from system to system it makes sense for this service to be provided by the OSPM. In this way OSPM can provide a common experience for end users and eliminate the need for OEMs to develop custom battery calibration software.

In order for OSPM to perform generic battery calibration, generic interfaces to control the two basic calibration functions are required. These functions are defined in section 10.2.2.5 and 10.2.2.6. First, there is a means to detect when it would be beneficial to calibrate the battery. Second there is a means to perform that calibration cycle. Both of those functions may be implemented by dedicated hardware such as a battery controller chip, by firmware in the embedded controller, by the BIOS, or by OSPM. From here on any function implemented through AML, whether or not the AML code relies on hardware, will be referred to as “AML controlled” since the interface is the same whether the AML passes control to the hardware or not.

Detection of when calibration is necessary can be implemented by hardware or AML code and be reported through the `_BMD` method. Alternately, the `_BMD` method may simply report the number of cycles before calibration should be performed and let the OS attempt to count the cycles. A counter implemented by the hardware or the BIOS will generally be more accurate since the batteries can be used without the OS running, but in some cases, a system designer may opt to simplify the hardware or BIOS implementation.

When calibration is desirable and the user has scheduled the calibration to occur, the calibration cycle can be AML controlled or OSPM controlled. OSPM can only implement a very simple algorithm since it doesn't have knowledge of the specifics of the battery system. It will simply discharge the battery until it quits discharging, then charge it until it quits charging. In the case where the AC adapter cannot be controlled through the `_BMC`, it will prompt the user to unplug the AC adapter and reattach it after the system powers off. If the calibration cycle is controlled by AML, the OS will initiate the calibration cycle by calling `_BMC`. That method will either give control to the hardware, or will control the calibration cycle itself. If the control of the calibration cycle is implemented entirely in AML code, the BIOS may avoid continuously running AML code by having the initial call to `_BMC` start the cycle, set some state flags, and then exit. Control of later parts of the cycle can be accomplished by putting code that checks these state flags in the battery event handler (`_Qxx`, `_Lxx`, or `_Exx`).

Details of the control methods for this interface are defined in section 10.2.



### 3.10.1 Active and Passive Cooling Modes

ACPI defines two cooling modes, Active and Passive:

- **Passive cooling.** OS reduces the power consumption of devices at the cost of system performance to reduce the temperature of the machine.
- **Active cooling.** OS increases the power consumption of the system (for example, by turning on a fan) to reduce the temperature of the machine.

These two cooling modes are inversely related to each other. Active cooling requires increased power to reduce the heat within the system while Passive cooling requires reduced power to decrease the temperature. The effect of this relationship is that Active cooling allows maximum system performance, but it may create undesirable fan noise, while Passive cooling reduces system performance, but is inherently quiet.

### 3.10.2 Performance vs. Energy Conservation

A robust OSPM implementation provides the means for the end user to convey to OSPM a preference (or a level of preference) for either performance or energy conservation. Allowing the end user to choose this preference is most critical to mobile system users where maximizing system run-time on a battery charge often has higher priority over realizing maximum system performance.

A user's preference for performance corresponds to the Active cooling mode while a user's preference for energy conservation corresponds to the Passive cooling mode. ACPI defines an interface to convey the cooling mode to the platform. Active cooling can be performed with minimal OSPM thermal policy intervention. For example, the platform indicates through thermal zone parameters that crossing a thermal trip point requires a fan to be turned on. Passive cooling requires OSPM thermal policy to manipulate device interfaces that reduce performance to reduce thermal zone temperature.

### 3.10.3 Acoustics (Noise)

Active cooling mode generally implies that fans will be used to cool the system and fans vary in their audible output. Fan noise can be quite undesirable given the loudness of the fan and the ambient noise environment. In this case, the end user's physical requirement for fan silence may override the preference for either performance or energy conservation.

A user's desire for fan silence corresponds to the Passive cooling mode. Accordingly, a user's desire for fan silence also means a preference for energy conservation.

For more information on thermal management and examples of platform settings for active and passive cooling, see section 11, "Thermal Management."

### 3.10.4 Multiple Thermal Zones

The basic thermal management model defines one thermal zone, but in order to provide extended thermal control in a complex system, ACPI specifies a multiple thermal zone implementation. Under a multiple thermal zone model, OSPM will independently manage several thermal-coupled devices and a designated thermal zone for each thermal-coupled device, using Active and/or Passive cooling methods available to each thermal zone. Each thermal zone can have more than one Passive and Active cooling device. Furthermore, each zone might have unique or shared cooling resources. In a multiple thermal zone configuration, if one zone reaches a critical state then OSPM must shut down the entire system.



## 4 ACPI Hardware Specification

ACPI defines standard interface mechanisms that allow an ACPI-compatible OS to control and communicate with an ACPI-compatible hardware platform. This section describes the hardware aspects of ACPI.

ACPI defines “hardware” as a programming model and its behavior. ACPI strives to keep much of the existing legacy programming model the same; however, to meet certain feature goals, designated features conform to a specific addressing and programming scheme. Hardware that falls within this category is referred to as “fixed.”

Although ACPI strives to minimize these changes, hardware engineers should read this section carefully to understand the changes needed to convert a legacy-only hardware model to an ACPI/Legacy hardware model or an ACPI-only hardware model.

ACPI classifies hardware into two categories: Fixed or Generic. Hardware that falls within the fixed category meets the programming and behavior specifications of ACPI. Hardware that falls within the generic category has a wide degree of flexibility in its implementation.

### 4.1 Fixed Hardware Programming Model

Because of the changes needed for migrating legacy hardware to the fixed category, ACPI limits the features specified by fixed hardware. Fixed hardware features are defined by the following criteria:

- Performance sensitive features
- Features that drivers require during wake
- Features that enable catastrophic OS software failure recovery

ACPI defines register-based interfaces to fixed hardware. CPU clock control and the power management timer are defined as fixed hardware to reduce the performance impact of accessing this hardware, which will result in more quickly reducing a thermal condition or extending battery life. If this logic were allowed to reside in PCI configuration space, for example, several layers of drivers would be called to access this address space. This takes a long time and will either adversely affect the power of the system (when trying to enter a low-power state) or the accuracy of the event (when trying to get a time stamp value).

Access to fixed hardware by OSPM allows OSPM to control the wake process without having to load the entire OS. For example, if PCI configuration space access is needed, the bus enumerator is loaded with all drivers used by the enumerator. Defining these interfaces in fixed hardware at addresses with which OSPM can communicate without any other driver’s assistance, allows OSPM to gather information prior to making a decision as to whether it continues loading the entire OS or puts it back to sleep.

If elements of the OS fail, it may be possible for OSPM to access address spaces that need no driver support. In such a situation, OSPM will attempt to honor fixed power button requests to transition the system to the G2 state. In the case where OSPM event handler is no longer able to respond to power button events, the power button override feature provides a back-up mechanism to unconditionally transition the system to the soft-off state.

#### 4.1.1 Functional Fixed Hardware

ACPI defines the fixed hardware low-level interfaces as a means to convey to the system OEM the minimum interfaces necessary to achieve a level of capability and quality for motherboard configuration and system power management. Additionally, the definition of these interfaces, as well as others defined in this specification, conveys to OS Vendors (OSVs) developing ACPI-compatible operating systems, the necessary interfaces that operating systems must manipulate to provide robust support for system configuration and power management.

While the definition of low-level hardware interfaces defined by ACPI 1.0 afforded OSPM implementations a certain level of stability, controls for existing and emerging diverse CPU architectures cannot be accommodated by this model as they can require a sequence of hardware manipulations intermixed with native CPU instructions to provide the ACPI-defined interface function. In this case, an ACPI-defined fixed hardware interface can be functionally implemented by the CPU manufacturer through an equivalent combination of both hardware and software and is defined by ACPI as Functional Fixed Hardware.

In IA-32-based systems, functional fixed hardware can be accommodated in an OS independent manner by using System Management Mode (SMM) based system firmware. Unfortunately, the nature of SMM-based code makes this type of OS independent implementation difficult if not impossible to debug. As such, this implementation approach is **not** recommended. In some cases, Functional Fixed Hardware implementations may require coordination with other OS components. As such, an OS independent implementation may not be viable.

OS-specific implementations of functional fixed hardware can be implemented using technical information supplied by the CPU manufacturer. The downside of this approach is that functional fixed hardware support must be developed for each OS. In some cases, the CPU manufacturer may provide a software component providing this support. In other cases support for the functional fixed hardware may be developed directly by the OS vendor.

The hardware register definition was expanded, in ACPI 2.0, to allow registers to exist in address spaces other than the System I/O address space. This is accomplished through the specification of an address space ID in the register definition (see section 5.2.3.1, “Generic Address Structure,” for more information).

**When specifically directed by the CPU manufacturer**, the system firmware may define an interface as functional fixed hardware by supplying a special address space identifier, *FfixedHW (0x7F)*, in the address space ID field for register definitions. It is emphasized that functional fixed hardware definitions may be declared in the ACPI system firmware **only as indicated by the CPU Manufacturer** for specific interfaces as the use of functional fixed hardware requires specific coordination with the OS vendor.

Only certain ACPI-defined interfaces may be implemented using functional fixed hardware and only when the interfaces are common across machine designs for example, systems sharing a common CPU architecture that does not support fixed hardware implementation of an ACPI-defined interface. OEMs are cautioned *not* to anticipate that functional fixed hardware support will be provided by OSPM differently on a system-by-system basis. The use of functional fixed hardware carries with it a reliance on OS specific software that must be considered. OEMs should consult OS vendors to ensure that specific functional fixed hardware interfaces are supported by specific operating systems.

## 4.2 Generic Hardware Programming Model

Although the fixed hardware programming model requires hardware registers to be defined at specific address locations, the generic hardware programming model allows hardware registers to reside in most address spaces and provides system OEMs with a wide degree of flexibility in the implementation of specific functions in hardware. OSPM directly accesses the fixed hardware registers, but relies on OEM-provided ACPI Machine Language (AML) code to access generic hardware registers.

AML code allows the OEM to provide the means for OSPM to control a generic hardware feature’s control and event logic.

The section entitled “ACPI Source Language Reference” describes the ACPI Source Language (ASL)—a programming language that OEMs use to create AML. The ASL language provides many of the operators found in common object-oriented programming languages, but it has been optimized to enable the description of platform power management and configuration hardware. An ASL compiler converts ASL source code to AML, which is a very compact machine language that the ACPI AML code interpreter executes.

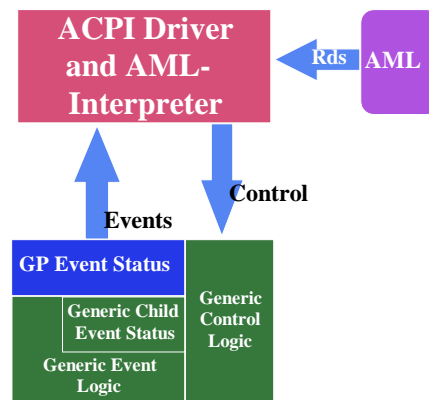
AML does two things:

- Abstracts the hardware from OSPM
- Buffers OEM code from the different OS implementations

One goal of ACPI is to allow the OEM “value added” hardware to remain basically unchanged in an ACPI configuration. One attribute of value-added hardware is that it is all implemented differently. To enable OSPM to execute properly on different types of value added hardware, ACPI defines higher level “control methods” that it calls to perform an action. The OEM provides AML code, which is associated with control methods, to be executed by OSPM. By providing AML code, generic hardware can take on almost any form.

Another important goal of ACPI is to provide OS independence. To do this, the OEM AML code has to execute the same under any ACPI-compatible OS. ACPI allows for this by making the AML code interpreter part of OSPM. This allows OSPM to take care of synchronizing and blocking issues specific to each particular OS.

The generic feature model is represented in the following block diagram. In this model the generic feature is described to OSPM through AML code. This description takes the form of an object that sits in the ACPI Namespace associated with the hardware to which it is adding value.



**Figure 4-1 Generic Hardware Feature Model**

As an example of a generic hardware control feature, a platform might be designed such that the IDE HDD’s D3 state has value-added hardware to remove power from the drive. The IDE drive would then have a reference to the AML **PowerResource** object (which controls the value added power plane) in its namespace, and associated with that object would be control methods that OSPM invokes to control the D3 state of the drive:

- **\_PS0**. A control method to sequence the IDE drive to the D0 state.
- **\_PS3**. A control method to sequence the IDE drive to the D3 state.
- **\_PSC**. A control method that returns the status of the IDE drive (on or off).

The control methods under this object provide an abstraction layer between OSPM and the hardware. OSPM understands how to control power planes (turn them on or off or to get their status) through its defined **PowerResource** object, while the hardware has platform-specific AML code (contained in the appropriate control methods) to perform the desired function. In this example, the platform would describe its hardware to the ACPI OS by writing and placing the AML code to turn the hardware off within the **\_PS3** control method. This enables the following sequence:

When OSPM decides to place the IDE drive in the D3 state, it calls the IDE driver and tells it to place the drive into the D3 state (at which point the driver saves the device’s context).

When the IDE driver returns control, OSPM places the drive in the D3 state.

OSPM finds the object associated with the HDD and then finds within that object any AML code associated with the D3 state.

OSPM executes the appropriate **\_PS3** control method to control the value-added “generic” hardware to place the HDD into an even lower power state.

As an example of a generic event feature, a platform might have a docking capability. In this case, it will want to generate an event. Notice that all ACPI events generate an SCI, which can be mapped to any shareable system interrupt. In the case of docking, the event is generated when a docking has been detected or when the user requests to undock the system. This enables the following sequence:

OSPM responds to the SCI and calls the AML code event handler associated with that generic event. The ACPI table associates the hardware event with the AML code event handler.




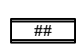
The AML-code event handler collects the appropriate information and then executes an AML Notify command to indicate to OSPM that a particular bus needs re-enumeration.

The following sections describe the fixed and generic hardware feature set of ACPI. These sections enable a reader to understand the following:

- Which hardware registers are required or optional when an ACPI feature, concept or interface is required by a design guide for a platform class
- How to design fixed hardware features
- How to design generic hardware features
- The ACPI Event Model

### 4.3 Diagram Legends

The hardware section uses simplified logic diagrams to represent how certain aspects of the hardware are implemented. The following symbols are used in the logic diagrams to represent programming bits.

	Write-only control bit
	Enable, control or status bit
	Sticky status bit
	Query value

The half round symbol with an inverted “V” represents a write-only control bit. This bit has the behavior that it generates its control function when it is set. Reads to write-only bits are treated as ignore by software (the bit position is masked off and ignored).

The round symbol with an “X” represents a programming bit. As an enable or control bit, software setting or clearing this bit will result in the bit being read as set or clear (unless otherwise noted). As a status bit it directly represents the value of the signal.

The square symbol represents a sticky status bit. A sticky status bit is set by the level (not edge) of a hardware signal (active high or active low). The bit is only cleared by software writing a “1” to its bit position.

The rectangular symbol represents a query value from the embedded controller. This is the value the embedded controller returns to the system software upon a query command in response to an SCI event. The query value is associated with the event control method that is scheduled to execute upon an embedded controller event.

## 4.4 Register Bit Notation

Throughout this section there are logic diagrams that reference bits within registers. These diagrams use a notation that easily references the register name and bit position. The notation is as follows:

*Registername.Bit*

*Registername* contains the name of the register as it appears in this specification

*Bit* contains a zero-based decimal value of the bit position.

For example, the SLP\_EN bit resides in the PM1x\_CNT register bit 13 and would be represented in diagram notation as:

SLP\_EN  
PM1x\_CNT.13

## 4.5 The ACPI Hardware Model

The ACPI hardware model is defined to allow OSPM to sequence the platform between the various global system states (G0-G3) as illustrated in the following figure by manipulating the defined interfaces. When first powered on, the platform finds itself in the global system state G3 or “Mechanical Off.” This state is defined as one where power consumption is very close to zero—the power plug has been removed; however, the real-time clock device still runs off a battery. The G3 state is entered by any power failure, defined as accidental or user-initiated power loss.

The G3 state transitions into either the G0 working state or the Legacy state depending on what the platform supports. If the platform is an ACPI-only platform, then it allows a direct boot into the G0 working state by always returning the status bit SCI\_EN set (1) (for more information, see section 4.7.2.5, “Legacy/ACPI Select and the SCI Interrupt”). If the platform supports both legacy and ACPI operations (which is necessary for supporting a non-ACPI OS), then it would always boot into the Legacy state (illustrated by returning the SCI\_EN clear (0)). In either case, a transition out of the G3 state requires a total boot of OSPM.

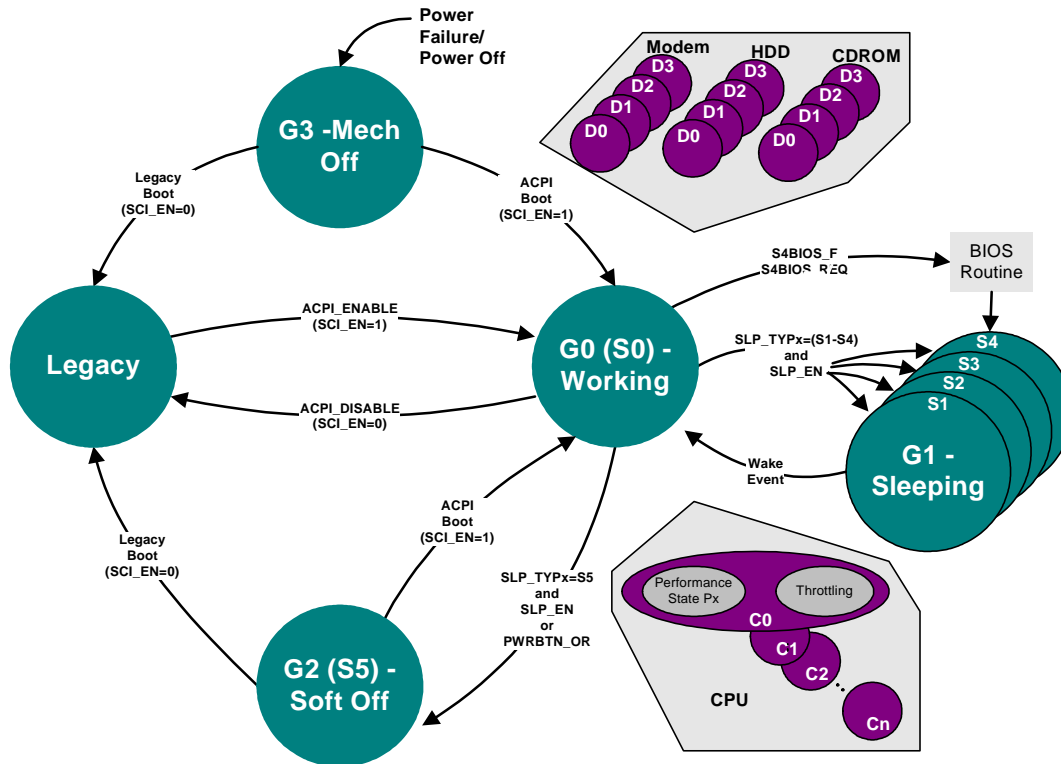
The Legacy system state is the global state where a non-ACPI OS executes. This state can be entered from either the G3 “Mechanical Off,” the G2 “Soft Off,” or the G0 “Working” states only if the hardware supports both Legacy and ACPI modes. In the Legacy state, the ACPI event model is disabled (no SCIs are generated) and the hardware uses legacy power management and configuration mechanisms. While in the Legacy state, an ACPI-compliant OS can request a transition into the G0 working state by performing an ACPI mode request. OSPM performs this transition by writing the ACPI\_ENABLE value to the SMI\_CMD, which generates an event to the hardware to transition the platform into ACPI mode. When hardware has finished the transition, it sets the SCI\_EN bit and returns control back to OSPM. While in the G0 “working state,” OSPM can request a transition to Legacy mode by writing the ACPI\_DISABLE value to the SMI\_CMD register, which results in the hardware going into legacy mode and resetting the SCI\_EN bit LOW (for more information, see section 4.7.2.5, “Legacy/ACPI Select and the SCI Interrupt”).

The G0 “Working” state is the normal operating environment of an ACPI machine. In this state different devices are dynamically transitioning between their respective power states (D0, D1, D2, D3hot, or D3) and processors are dynamically transitioning between their respective power states (C0, C1, C2 or C3). In this state, OSPM can make a policy decision to place the platform into the system G1 “sleeping” state. The platform can only enter a single sleeping state at a time (referred to as the global G1 state); however, the hardware can provide up to four system sleeping states that have different power and exit latencies represented by the S1, S2, S3, or S4 states. When OSPM decides to enter a sleeping state it picks the most appropriate sleeping state supported by the hardware (OS policy examines what devices have enabled wake events and what sleeping states these support). OSPM initiates the sleeping transition by enabling the appropriate wake events and then programming the SLP\_TYPx field with the desired sleeping state and then setting the SLP\_ENx bit. The system will then enter a sleeping state; when one of the enabled wake events occurs, it will transition the system back to the working state (for more information, see section 15, “Waking and Sleeping”).

Another global state transition option while in the G0 “working” state is to enter the G2 “soft off” or the G3 “mechanical off” state. These transitions represent a controlled transition that allows OSPM to bring the system down in an orderly fashion (unloading applications, closing files, and so on). The policy for these types of transitions can be associated with the ACPI power button, which when pressed generates an event to the power button driver. When OSPM is finished preparing the operating environment for a power loss, it will either generate a pop-up message to indicate to the user to remove power, in order to enter the G3 “Mechanical Off” state, or it will initiate a G2 “soft-off” transition by writing the value of the S5 “soft off” system state to the SLP\_TYPx register and setting the SLP\_EN bit.

The G1 sleeping state is represented by four possible sleeping states that the hardware can support. Each sleeping state has different power and wake latency characteristics. The sleeping state differs from the working state in that the user’s operating environment is frozen in a low-power state until awakened by an enabled wake event. No work is performed in this state, that is, the processors are not executing instructions. Each system sleeping state has requirements about who is responsible for system context and wake sequences (for more information, see section 15, Waking and Sleeping”).

The G2 “soft off” state is an OS initiated system shutdown. This state is initiated similar to the sleeping state transition (SLP\_TYPx is set to the S5 value and setting the SLP\_EN bit initiates the sequence). Exiting the G2 soft-off state requires rebooting the system. In this case, an ACPI-only machine will re-enter the G0 state directly (hardware returns the SCI\_EN bit set), while an ACPI/Legacy machine transitions to the Legacy state (SCI\_EN bit is clear).

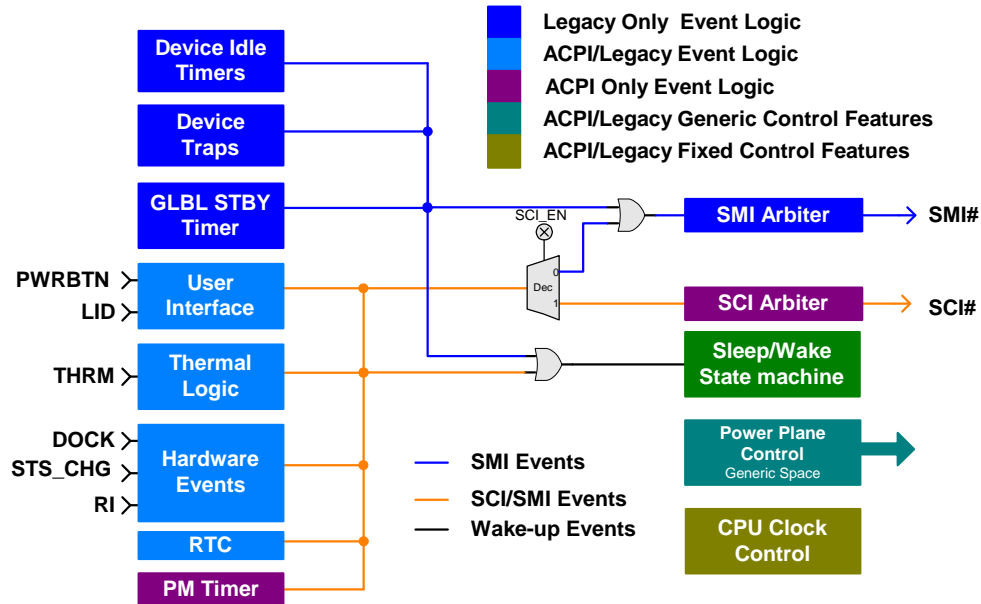


**Figure 4-2 Global States and Their Transitions**

The ACPI architecture defines mechanisms for hardware to generate events and control logic to implement this behavior model. Events are used to notify OSPM that some action is needed, and control logic is used by OSPM to cause some state transition. ACPI-defined events are “hardware” or “interrupt” events. A hardware event is one that causes the hardware to unconditionally perform some operation. For example, any wake event will sequence the system from a sleeping state (S1, S2, S3, and S4 in the global G1 state) to the G0 working state (see Figure 15-1).

An interrupt event causes the execution of an event handler (AML code or an ACPI-aware driver), which allows the software to make a policy decision based on the event. For ACPI fixed-feature events, OSPM or an ACPI-aware driver acts as the event handler. For generic logic events OSPM will schedule the execution of an OEM-supplied AML control method associated with the event.

For legacy systems, an event normally generates an OS-transparent interrupt, such as a System Management Interrupt, or SMI. For ACPI systems the interrupt events need to generate an OS-visible interrupt that is shareable; edge-style interrupts will not work. Hardware platforms that want to support both legacy operating systems and ACPI systems support a way of re-mapping the interrupt events between SMIs and SCIs when switching between ACPI and legacy models. This is illustrated in the following block diagram.



**Figure 4-3 Example Event Structure for a Legacy/ACPI Compatible Event Model**

This example logic illustrates the event model for a sample platform that supports both legacy and ACPI event models. This example platform supports a number of external events that are power-related (power button, LID open/close, thermal, ring indicate) or Plug and Play-related (dock, status change). The logic represents the three different types of events:

- **OS Transparent Events.** These events represent OEM-specific functions that have no OS support and use software that can be operated in an OS-transparent fashion (that is, SMIs).
- **Interrupt Events.** These events represent features supported by ACPI-compatible operating systems, but are not supported by legacy operating systems. When a legacy OS is loaded, these events are mapped to the transparent interrupt (SMI# in this example), and when in ACPI mode they are mapped to an OS-visible shareable interrupt (SCI#). This logic is represented by routing the event logic through the decoder that routes the events to the SMI# arbiter when the SCI\_EN bit is cleared, or to the SCI# arbiter when the SCI\_EN bit is set.
- **Hardware events.** These events are used to trigger the hardware to initiate some hardware sequence such as waking, resetting, or putting the machine to sleep unconditionally.

In this example, the legacy power management event logic is used to determine device/system activity or idleness based on device idle timers, device traps, and the global standby timer. Legacy power management models use the idle timers to determine when a device should be placed in a low-power state because it is idle—that is, the device has not been accessed for the programmed amount of time. The device traps are used to indicate when a device in a low-power state is being accessed by OSPM. The global standby timer is used to determine when the system should be allowed to go into a sleeping state because it is idle—that is, the user interface has not been used for the programmed amount of time.

These legacy idle timers, trap monitors, and global standby timer are not used by OSPM in the ACPI mode. This work is handled by different software structures in an ACPI-compatible OS. For example, the driver model of an ACPI-compatible OS is responsible for placing its device into a low-power state (D1, D2, D3hot, or D3) and transitioning it back to the On state (D0) when needed. And OSPM is responsible for determining when the system is idle by profiling the system (using the PM Timer) and other knowledge it gains through its operating structure environment (which will vary from OS to OS). When the system is placed into the ACPI mode, these events no longer generate SMIs, as OSPM handles this function. These events are disabled through some OEM-proprietary method.

On the other hand, many of the hardware events are shared between the ACPI and legacy models (docking, the power button, and so on) and this type of interrupt event changes to an SCI event when enabled for ACPI. The ACPI OS will generate a request to the platform's hardware (BIOS) to enter into the ACPI mode. The BIOS sets the SCI\_EN bit to indicate that the system has successfully entered into the ACPI mode, so this is a convenient mechanism to map the desired interrupt (SMI or SCI) for these events (as shown in Figure 4-3).

The ACPI architecture specifies some dedicated hardware not found in the legacy hardware model: the power management timer (PM Timer). This is a free running timer that the ACPI OS uses to profile system activity. The frequency of this timer is explicitly defined in this specification and must be implemented as described.

Although the ACPI architecture reuses most legacy hardware as is, it does place restrictions on where and how the programming model is generated. If used, all fixed hardware features are implemented as described in this specification so that OSPM can directly access the fixed hardware feature registers.

Generic hardware features are manipulated by ACPI control methods residing in the ACPI Namespace. These interfaces can be very flexible; however, their use is limited by the defined ACPI control methods (for more information, see section 9, "ACPI Devices and Device Specific Objects"). Generic hardware usually controls power planes, buffer isolation, and device reset resources. Additionally, "child" interrupt status bits can be accessed via generic hardware interfaces; however, they have a "parent" interrupt status bit in the GP\_STS register. ACPI defines eight address spaces that may be accessed by generic hardware implementations. These include:

- System I/O space
- System memory space
- PCI configuration space
- Embedded controller space
- System Management Bus (SMBus) space
- CMOS
- PCI BAR Target
- IPMI space

Generic hardware power management features can be implemented accessing spare I/O ports residing in any of these address spaces. The ACPI specification defines an optional embedded controller and SMBus interfaces needed to communicate with these associated address spaces.

#### 4.5.1 Hardware Reserved Bits

ACPI hardware registers are designed such that reserved bits always return zero, and data writes to them have no side effects. OSPM implementations must write zeros to reserved bits in enable and status registers and preserve bits in control registers, and they will treat these bits as ignored.

#### 4.5.2 Hardware Ignored Bits

ACPI hardware registers are designed such that ignored bits are undefined and are ignored by software. Hardware-ignored bits can return zero or one. When software reads a register with ignored bits, it masks off ignored bits prior to operating on the result. When software writes to a register with ignored bit fields, it preserves the ignored bit fields.



### 4.5.3 Hardware Write-Only Bits

ACPI hardware defines a number of write-only control bits. These bits are activated by software writing a 1 to their bit position. Reads to write-only bit positions generate undefined results. Upon reads to registers with write-only bits, software masks out all write-only bits.

### 4.5.4 Cross Device Dependencies

Cross Device Dependency is a condition in which an operation to a device interferes with the operation of other unrelated devices, or allows other unrelated devices to interfere with its behavior. This condition is not supportable and can cause platform failures. ACPI provides no support for cross device dependencies and suggests that devices be designed to not exhibit this behavior. The following two examples describe cross device dependencies:

#### 4.5.4.1 Example 1: Related Device Interference

This example illustrates a cross device dependency where a device interferes with the proper operation of other unrelated devices. Device A has a dependency that when it is being configured it blocks all accesses that would normally be targeted for Device B. Thus, the device driver for Device B cannot access Device B while Device A is being configured; therefore, it would need to synchronize access with the driver for Device A. High performance, multithreaded operating systems cannot perform this kind of synchronization without seriously impacting performance.

To further illustrate the point, assume that Device A is a serial port and Device B is a hard drive controller. If these devices demonstrate this behavior, then when a software driver configures the serial port, accesses to the hard drive need to block. This can only be done if the hard disk driver synchronizes access to the disk controller with the serial driver. Without this synchronization, hard drive data will be lost when the serial port is being configured.

#### 4.5.4.2 Example 2: Unrelated Device Interference

This example illustrates a cross-device dependency where a device demonstrates a behavior that allows other unrelated devices to interfere with its proper operation. Device A exhibits a programming behavior that requires atomic back-to-back write accesses to successfully write to its registers; if any other platform access is able to break between the back-to-back accesses, then the write to Device A is unsuccessful. If the Device A driver is unable to generate atomic back-to-back accesses to its device, then it relies on software to synchronize accesses to its device with every other driver in the system; then a device cross dependency is created and the platform is prone to Device A failure.

## 4.6 ACPI Hardware Features

This section describes the different hardware features defined by the ACPI interface. These features are categorized as the following:

- Fixed Hardware Features
- Generic Hardware Features

Fixed hardware features reside in a number of the ACPI-defined address spaces at the locations described by the ACPI programming model. Generic hardware features reside in one of four address spaces (system I/O, system memory, PCI configuration, embedded controller, or serial device I/O space) and are described by the ACPI Namespace through the declaration of AML control methods.

Fixed hardware features have exact definitions for their implementation. Although many fixed hardware features are optional, if implemented they must be implemented as described since OSPM manipulates the registers of fixed hardware devices and expects the defined behavior. Functional fixed hardware provides functional equivalents of the fixed hardware feature interfaces as described in section 4.1.1, “Functional Fixed Hardware.”

Generic hardware feature implementation is flexible. This logic is controlled by OEM-supplied AML code (for more information, see section 5, “ACPI Software Programming Model”), which can be written to support a wide variety of hardware. Also, ACPI provides specialized control methods that provide capabilities for specialized devices. For example, the Notify command can be used to notify OSPM from a generic hardware event handler (control method) that a docking or thermal event has taken place. A good understanding of this section and section 5 of this specification will give designers a good understanding of how to design hardware to take full advantage of an ACPI-compatible OS.

Notice that the generic features are listed for illustration only, the ACPI specification can support many types of hardware not listed.

**Table 4-1 Feature/Programming Model Summary**

Feature Name	Description	Programming Model
Power Management Timer	24-bit or 32-bit free running timer.	Fixed Hardware Feature Control Logic
Power Button	User pushes button to switch the system between the working and sleeping states.	Fixed Hardware Event and Control Logic or Generic Hardware Event and Logic
Sleep Button	User pushes button to switch the system between the working and sleeping state.	Fixed Hardware Event and Control Logic or Generic Hardware Event and Logic
Power Button Override	User sequence (press the power button for 4 seconds) to turn off a hung system.	
Real Time Clock Alarm	Programmed time to wake the system.	Optional Fixed Hardware Event <sup>2</sup>
Sleep/Wake Control Logic	Logic used to transition the system between the sleeping and working states.	Fixed Hardware Control and Event Logic
Embedded Controller Interface	ACPI Embedded Controller protocol and interface, as described in section 12, “ACPI Embedded Controller Interface Specification.”	Generic Hardware Event Logic, must reside in the general-purpose register block
Legacy/ACPI Select	Status bit that indicates the system is using the legacy or ACPI power management model (SCI_EN).	Fixed Hardware Control Logic
Lid switch	Button used to indicate whether the system’s lid is open or closed (mobile systems only).	Generic Hardware Event Feature
C1 Power State	Processor instruction to place the processor into a low-power state.	Processor ISA
C2 Power Control	Logic to place the processor into a C2 power state.	Fixed Hardware Control Logic
C3 Power Control	Logic to place the processor into a C3 power state.	Fixed Hardware Control Logic

<sup>2</sup> RTC wakeup alarm is required, the fixed hardware feature status bit is optional.

Feature Name	Description	Programming Model
Thermal Control	Logic to generate thermal events at specified trip points.	Generic Hardware Event and Control Logic (See description of thermal logic in section 3.10, “Thermal Management.”)
Device Power Management	Control logic for switching between different device power states.	Generic Hardware control logic
AC Adapter	Logic to detect the insertion and removal of the AC adapter.	Generic Hardware event logic
Docking/device insertion and removal	Logic to detect device insertion and removal events.	Generic Hardware event logic

## 4.7 ACPI Register Model

ACPI hardware resides in one of six address spaces:

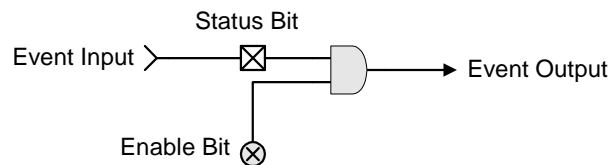
- System I/O
- System memory
- PCI configuration
- SMBus
- Embedded controller
- Functional Fixed Hardware

Different implementations will result in different address spaces being used for different functions. The ACPI specification consists of fixed hardware registers and generic hardware registers. Fixed hardware registers are required to implement ACPI-defined interfaces. The generic hardware registers are needed for any events generated by value-added hardware.

ACPI defines register blocks. An ACPI-compatible system provides an ACPI table (the FADT, built in memory at boot-up) that contains a list of pointers to the different fixed hardware register blocks used by OSPM. The bits within these registers have attributes defined for the given register block. The types of registers that ACPI defines are:

- Status/Enable Registers (for events)
- Control Registers

If a register block is of the status/enable type, then it will contain a register with status bits, and a corresponding register with enable bits. The status and enable bits have an exact implementation definition that needs to be followed (unless otherwise noted), which is illustrated by the following diagram:



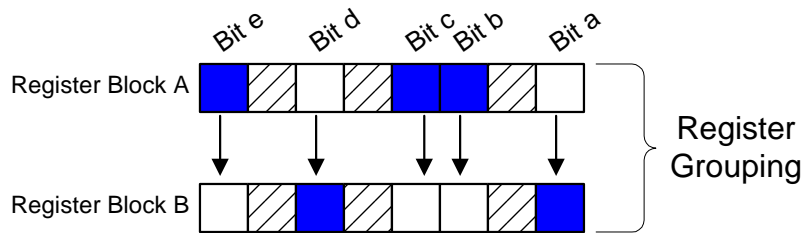
**Figure 4-4 Block Diagram of a Status/Enable Cell**

Notice that the status bit, which hardware sets by the Event Input being set in this example, can only be cleared by software writing a 1 to its bit position. Also, the enable bit has no effect on the setting or resetting of the status bit; it only determines if the SET status bit will generate an “Event Output,” which generates an SCI when set if its enable bit is set.

ACPI also defines register groupings. A register grouping consists of two register blocks, with two pointers to two different blocks of registers, where each bit location within a register grouping is fixed and cannot be changed. The bits within a register grouping, which have fixed bit positions, can be split between the two register blocks. This allows the bits within a register grouping to reside in either or both register blocks, facilitating the ability to map bits within several different chips to the same register thus providing the programming model with a single register grouping bit structure.

OSPM treats a register grouping as a single register; but located in multiple places. To read a register grouping, OSPM will read the “A” register block, followed by the “B” register block, and then will logically “OR” the two results together (the SLP\_TYP field is an exception to this rule). Reserved bits, or unused bits within a register block always return zero for reads and have no side effects for writes (which is a requirement).

The SLP\_TYPx field can be different for each register grouping. The respective sleeping object  $\_Sx$  contains a SLP\_TYPa and a SLP\_TYPb field. That is, the object returns a package with two integer values of 0-7 in it. OSPM will always write the SLP\_TYPa value to the “A” register block followed by the SLP\_TYPb value within the field to the “B” register block. All other bit locations will be written with the same value. Also, OSPM does not read the SLP\_TYPx value but throws it away.



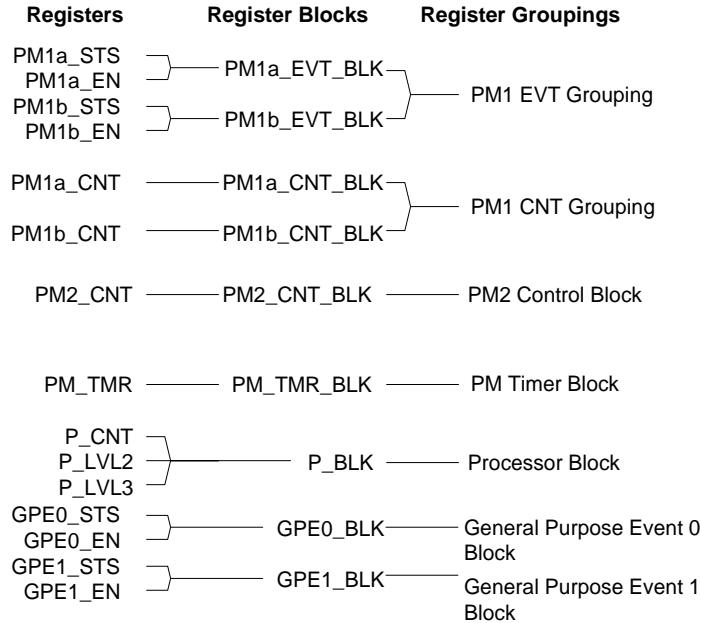
**Figure 4-5 Example Fixed Hardware Feature Register Grouping**

As an example, the above diagram represents a register grouping consisting of register block A and register block b. Bits “a” and “d” are implemented in register block B and register block A returns a zero for these bit positions. Bits “b”, “c” and “e” are implemented in register block A and register block B returns a zero for these bit positions. All reserved or ignored bits return their defined ACPI values.

When accessing this register grouping, OSPM must read register block a, followed by reading register block b. OSPM then does a logical OR of the two registers and then operates on the results.

When writing to this register grouping, OSPM will write the desired value to register group A followed by writing the same value to register group B.

ACPI defines the following fixed hardware register blocks. Each register block gets a separate pointer from the FADT. These addresses are set by the OEM as static resources, so they are never changed—OSPM cannot re-map ACPI resources. The following register blocks are defined:



**Figure 4-6 Register Blocks versus Register Groupings**

The PM1 EVT grouping consists of the PM1a\_EVT and PM1b\_EVT register blocks, which contain the fixed hardware feature event bits. Each event register block (if implemented) contains two registers: a status register and an enable register. Each register grouping has a defined bit position that cannot be changed; however, the bit can be implemented in either register block (A or B). The A and B register blocks for the events allow chipsets to vary the partitioning of events into two or more chips. For read operations, OSPM will generate a read to the associated A and B registers, OR the two values together, and then operate on this result. For write operations, OSPM will write the value to the associated register in both register blocks. Therefore, there are two rules to follow when implementing event registers:

- Reserved or unimplemented bits always return zero (control or enable).
- Writes to reserved or unimplemented bits have no affect.

The PM1 CNT grouping contains the fixed hardware feature control bits and consists of the PM1a\_CNT\_BLK and PM1b\_CNT\_BLK register blocks. Each register block is associated with a single control register. Each register grouping has a defined bit position that cannot be changed; however, the bit can be implemented in either register block (A or B). There are two rules to follow when implementing CNT registers:

- Reserved or unimplemented bits always return zero (control or enable).
- Writes to reserved or unimplemented bits have no affect.

The PM2\_CNT\_BLK register block currently contains a single bit for the arbiter disable function. The general-purpose event register contains the event programming model for generic features. All generic events, just as fixed events, generate SCIs. Generic event status bits can reside anywhere; however, the top-level generic event resides in one of the general-purpose register blocks. Any generic feature event status not in the general-purpose register space is considered a child or sibling status bit, whose parent status bit is in the general-purpose event register space. Notice that it is possible to have N levels of general-purpose events prior to hitting the GPE event status.

General-purpose event registers are described by two register blocks: The GPE0\_BLK or the GPE1\_BLK. Each register block is pointed to separately from within the FADT. Each register block is further broken into two registers: GPE<sub>x</sub>\_STS and GPE<sub>x</sub>\_EN. The status and enable registers in the general-purpose event registers follow the event model for the fixed hardware event registers.

### 4.7.1 ACPI Register Summary

The following tables summarize the ACPI registers:

**Table 4-2 PM1 Event Registers**

Register	Size (Bytes)	Address (relative to register block)
PM1a_STS	PM1_EVT_LEN/2	<PM1a_EVT_BLK >
PM1a_EN	PM1_EVT_LEN/2	<PM1a_EVT_BLK >+PM1_EVT_LEN/2
PM1b_STS	PM1_EVT_LEN/2	<PM1b_EVT_BLK >
PM1b_EN	PM1_EVT_LEN/2	<PM1b_EVT_BLK >+PM1_EVT_LEN/2

**Table 4-3 PM1 Control Registers**

Register	Size (Bytes)	Address (relative to register block)
PM1_CNTa	PM1_CNT_LEN	<PM1a_CNT_BLK >
PM1_CNTb	PM1_CNT_LEN	<PM1b_CNT_BLK >

**Table 4-4 PM2 Control Register**

Register	Size (Bytes)	Address (relative to register block)
PM2_CNT	PM2_CNT_LEN	<PM2_CNT_BLK >

**Table 4-5 PM Timer Register**

Register	Size (Bytes)	Address (relative to register block)
PM_TMR	PM_TMR_LEN	<PM_TMR_BLK >

**Table 4-6 Processor Control Registers**

Register	Size (Bytes)	Address (relative to register block)
P_CNT	4	Either <P_BLK> or specified by the PTC object (See section 8.3.1, "PTC [Processor Throttling Control].")
P_LVL2	1	<P_BLK>+4h
P_LVL3	1	<P_BLK>+5h

**Table 4-7 General-Purpose Event Registers**

Register	Size (Bytes)	Address (relative to register block)
GPE0_STS	GPE0_LEN/2	<GPE0_BLK>
GPE0_EN	GPE0_LEN/2	<GPE0_BLK>+GPE0_LEN/2
GPE1_STS	GPE1_LEN/2	<GPE1_BLK>
GPE1_EN	GPE1_LEN/2	<GPE1_BLK>+GPE1_LEN/2

### 4.7.1.1 PM1 Event Registers

The PM1 event register grouping contains two register blocks: the PM1a\_EVT\_BLK is a required register block when the following ACPI interface categories are required by a class specific platform design guide:

- Power management timer control/status
- Processor power state control/status
- Global Lock related interfaces
- Power or Sleep button (fixed register interfaces)
- System power state controls (sleeping/wake control)

The PM1b\_EVT\_BLK is an optional register block. Each register block has a unique 32-bit pointer in the Fixed ACPI Table (FADT) to allow the PM1 event bits to be partitioned between two chips. If the PM1b\_EVT\_BLK is not supported, its pointer contains a value of zero in the FADT.

Each register block in the PM1 event grouping contains two registers that are required to be the same size: the PM1x\_STS and PM1x\_EN (where x can be “a” or “b”). The length of the registers is variable and is described by the PM1\_EVT\_LEN field in the FADT, which indicates the total length of the register block in bytes. Hence if a length of “4” is given, this indicates that each register contains two bytes of I/O space. The PM1 event register block has a minimum size of 4 bytes.

### 4.7.1.2 PM1 Control Registers

The PM1 control register grouping contains two register blocks: the PM1a\_CNT\_BLK is a required register block when the following ACPI interface categories are required by a class specific platform design guide:

- SCI/SMI routing control/status for power management and general-purpose events
- Processor power state control/status
- Global Lock related interfaces
- System power state controls (sleeping/wake control)

The PM1b\_CNT\_BLK is an optional register block. Each register block has a unique 32-bit pointer in the Fixed ACPI Table (FADT) to allow the PM1 event bits to be partitioned between two chips. If the PM1b\_CNT\_BLK is not supported, its pointer contains a value of zero in the FADT.

Each register block in the PM1 control grouping contains a single register: the PM1x\_CNT. The length of the register is variable and is described by the PM1\_CNT\_LEN field in the FADT, which indicates the total length of the register block in bytes. The PM1 control register block must have a minimum size of 2 bytes.

### 4.7.1.3 PM2 Control Register

The PM2 control register is contained in the PM2\_CNT\_BLK register block. The FADT contains a length variable for this register block (PM2\_CNT\_LEN) that is equal to the size in bytes of the PM2\_CNT register (the only register in this register block). This register block is optional, if not supported its block pointer and length contain a value of zero.

### 4.7.1.4 PM Timer Register

The PM timer register is contained in the PM\_TMR\_BLK register block, which is a required register block when the power management timer control/status ACPI interface category is required by a class specific platform design guide.

This register block contains the register that returns the running value of the power management timer. The FADT also contains a length variable for this register block (PM\_TMR\_LEN) that is equal to the size in bytes of the PM\_TMR register (the only register in this register block).

### 4.7.1.5 Processor Control Block (P\_BLK)

There is an optional processor control register block for each processor in the system. As this is a homogeneous feature, all processors must have the same level of support. The ACPI OS will revert to the lowest common denominator of processor control block support. The processor control block contains the processor control register (P\_CNT—a 32-bit performance control configuration register), and the P\_LVL2 and P\_LVL3 CPU sleep state control registers. The 32-bit P\_CNT register controls the behavior of the processor clock logic for that processor, the P\_LVL2 register is used to place the CPU into the C2 state, and the P\_LVL3 register is used to place the processor into the C3 state.

### 4.7.1.6 General-Purpose Event Registers

The general-purpose event registers contain the root level events for all generic features. To facilitate the flexibility of partitioning the root events, ACPI provides for two different general-purpose event blocks: GPE0\_BLK and GPE1\_BLK. These are separate register blocks and are not a register grouping, because there is no need to maintain an orthogonal bit arrangement. Also, each register block contains its own length variable in the FADT, where GPE0\_LEN and GPE1\_LEN represent the length in bytes of each register block.

Each register block contains two registers of equal length: GPE<sub>x</sub>\_STS and GPE<sub>x</sub>\_EN (where x is 0 or 1). The length of the GPE0\_STS and GPE0\_EN registers is equal to half the GPE0\_LEN. The length of the GPE1\_STS and GPE1\_EN registers is equal to half the GPE1\_LEN. If a generic register block is not supported then its respective block pointer and block length values in the FADT table contain zeros. The GPE0\_LEN and GPE1\_LEN do not need to be the same size.

## 4.7.2 Fixed Hardware Features

This section describes the fixed hardware features defined by ACPI.

### 4.7.2.1 Power Management Timer

The ACPI specification requires a power management timer that provides an accurate time value used by system software to measure and profile system idleness (along with other tasks). The power management timer provides an accurate time function while the system is in the working (G0) state. To allow software to extend the number of bits in the timer, the power management timer generates an interrupt when the last bit of the timer changes (from 0 to 1 or 1 to 0). ACPI supports either a 24-bit or 32-bit power management timer. The PM Timer is accessed directly by OSPM, and its programming model is contained in fixed register space. The programming model can be partitioned in up to three different register blocks. The event bits are contained in the PM1\_EVT register grouping, which has two register blocks, and the timer value can be accessed through the PM\_TMR\_BLK register block. A block diagram of the power management timer is illustrated in the following figure:

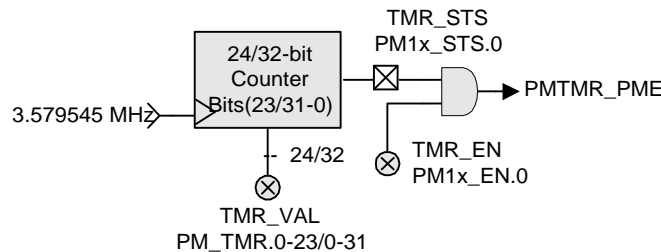


Figure 4-7 Power Management Timer



The power management timer is a 24-bit or 32-bit fixed rate free running count-up timer that runs off a 3.579545 MHz clock. The ACPI OS checks the FADT to determine whether the PM Timer is a 32-bit or 24-bit timer. The programming model for the PM Timer consists of event logic, and a read port to the counter value. The event logic consists of an event status and enable bit. The status bit is set any time the last bit of the timer (bit 23 or bit 31) goes from set to clear or clear to set. If the TMR\_EN bit is set, then the setting of the TMR\_STS will generate an ACPI event in the PM1\_EVT register grouping (referred to as PMTMR\_PME in the diagram). The event logic is only used to emulate a larger timer.

OSPM uses the read-only TMR\_VAL field (in the PM TMR register grouping) to read the current value of the timer. OSPM never assumes an initial value of the TMR\_VAL field; instead, it reads an initial TMR\_VAL upon loading OSPM and assumes that the timer is counting. It is allowable to stop the Timer when the system transitions out of the working (G0/S0) state. The only timer reset requirement is that the timer functions while in the working state.

The PM Timer's programming model is implemented as a fixed hardware feature to increase the accuracy of reading the timer.

### 4.7.2.2 Console Buttons

ACPI defines user-initiated events to request OSPM to transition the platform between the G0 working state and the G1 sleeping, G2 soft off and G3 mechanical off states. ACPI also defines a recommended mechanism to unconditionally transition the platform from a hung G0 working state to the G2 soft-off state.

ACPI operating systems use power button events to determine when the user is present. As such, these ACPI events are associated with buttons in the ACPI specification.

The ACPI specification supports two button models:

- A single-button model that generates an event for both sleeping and entering the soft-off state. The function of the button can be configured using OSPM UI.
- A dual-button model where the power button generates a soft-off transition request and a sleeping button generates a sleeping transition request. The type of button implies the function of the button.

Control of these button events is either through the fixed hardware programming model or the generic hardware programming model (control method based). The fixed hardware programming model has the advantage that OSPM can access the button at any time, including when the system is crashed. In a crashed system with a fixed hardware power button, OSPM can make a "best" effort to determine whether the power button has been pressed to transition to the system to the soft-off state, because it doesn't require the AML interpreter to access the event bits.

#### 4.7.2.2.1 Power Button

The power button logic can be used in one of two models: single button or dual button. In the single-button model, the user button acts as both a power button for transitioning the system between the G0 and G2 states and a sleeping button for transitioning the system between the G0 and G1 states. The action of the user pressing the button is determined by software policy or user settings. In the dual-button model, there are separate buttons for sleeping and power control. Although the buttons still generate events that cause software to take an action, the function of the button is now dedicated: the sleeping button generates a sleeping request to OSPM and the power button generates a waking request.

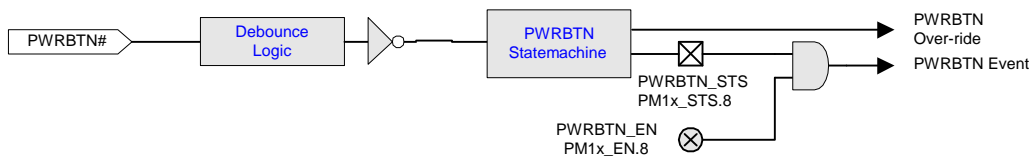
Support for a power button is indicated by a combination of the PWR\_BUTTON flag and the power button device object, as shown in the following:

**Table 4-8 Power Button Support**

Indicated Support	PWR_BUTTON Flag	Power Button Device Object
Fixed hardware power button	Clear	Absent
Control method power button	Set	Present

The power button can also have an additional capability to unconditionally transition the system from a hung working state to the G2 soft-off state. In the case where OSPM event handler is no longer able to respond to power button events, the power button override feature provides a back-up mechanism to unconditionally transition the system to the soft-off state. This feature can be used when the platform doesn't have a mechanical off button, which can also provide this function. ACPI defines that holding the power button active for four seconds or longer will generate a power button override event.

#### 4.7.2.2.1.1 Fixed Power Button



**Figure 4-8 Fixed Power Button Logic**

The fixed hardware power button has its event programming model in the PM1x\_EVT\_BLK. This logic consists of a single enable bit and sticky status bit. When the user presses the power button, the power button status bit (PWRBTN\_STS) is unconditionally set. If the power button enable bit (PWRBTN\_EN) is set and the power button status bit is set (PWRBTN\_STS) due to a button press while the system is in the G0 state, then an SCI is generated. OSPM responds to the event by clearing the PWRBTN\_STS bit. The power button logic provides debounce logic that sets the PWRBTN\_STS bit on the button press “edge.”

While the system is in the G1 or G2 global states (S1, S2, S3, S4 or S5 states), any further power button press after the button press that transitioned the system into the sleeping state unconditionally sets the power button status bit and wakes the system, regardless of the value of the power button enable bit. OSPM responds by clearing the power button status bit and waking the system.

#### 4.7.2.2.1.2 Control Method Power Button

The power button programming model can also use the generic hardware programming model. This allows the power button to reside in any of the generic hardware address spaces (for example, the embedded controller) instead of fixed space. If the power button is implemented using generic hardware, then the OEM needs to define the power button as a device with an \_HID object value of “PNP0C0C,” which then identifies this device as the power button to OSPM. The AML event handler then generates a Notify command to notify OSPM that a power button event was generated. While the system is in the working state, a power button press is a user request to transition the system into either the sleeping (G1) or soft-off state (G2). In these cases, the power button event handler issues the Notify command with the device specific code of 0x80. This indicates to OSPM to pass control to the power button driver (PNP0C0C) with the knowledge that a transition out of the G0 state is being requested. Upon waking from a G1 sleeping state, the AML event handler generates a notify command with the code of 0x2 to indicate it was responsible for waking the system.

The power button device needs to be declared as a device within the ACPI Namespace for the platform and only requires an \_HID. An example definition follows.

This example ASL code performs the following:

- Creates a device named “PWRB” and associates the Plug and Play identifier (through the \_HID object) of “PNP0C0C.”
- The Plug and Play identifier associates this device object with the power button driver.
- Creates an operational region for the control method power button’s programming model: System I/O space at 0x200.
- Fields that are not accessed are written as zeros. These status bits clear upon writing a 1 to their bit position, therefore preserved would fail in this case.

- Creates a field within the operational region for the power button status bit (called PBP). In this case the power button status bit is a child of the general-purpose event status bit 0. When this bit is set, it is the responsibility of the ASL-code to clear it (OSPM clears the general-purpose status bits). The address of the status bit is 0x200.0 (bit 0 at address 0x200).
- Creates an additional status bit called PBW for the power button wake event. This is the next bit and its physical address would be 0x200.1 (bit 1 at address 0x200).
- Generates an event handler for the power button that is connected to bit 0 of the general-purpose event status register 0. The event handler does the following:
  - Clears the power button status bit in hardware (writes a one to it).
  - Notifies OSPM of the event by calling the Notify command passing the power button object and the device specific event indicator 0x80.

```
// Define a control method power button
Device(\_SB.PWRB){
    Name(_HID, EISAID("PNP0C0C"))
    Name(_PRW, Package(){0, 0x4})

    OperationRegion(\PHO, SystemIO, 0x200, 0x1)
    Field(\PHO, ByteAcc, NoLock, WriteAsZeros){
        PBP, 1,          // sleep/off request
        PBW, 1          // wakeup request
    }
} // end of power button device object

Scope(\_GPE){          // Root level event handlers
    Method(_L00){      // uses bit 0 of GP0_STS register
        If(\PBP){
            Store(One, \PBP)          // clear power button status
            Notify(\_SB.PWRB, 0x80)  // Notify OS of event
        }
        If(\PBW){
            Store(One, \PBW)
            Notify(\_SB.PWRB, 0x2)
        }
    } // end of _L00 handler
} // end of \_GPE scope
```

#### 4.7.2.2.1.3 Power Button Override

The ACPI specification also allows that if the user presses the power button for more than four seconds while the system is in the working state, a hardware event is generated and the system will transition to the soft-off state. This hardware event is called a power button override. In reaction to the power button override event, the hardware clears the power button status bit (PWRBTN\_STS).

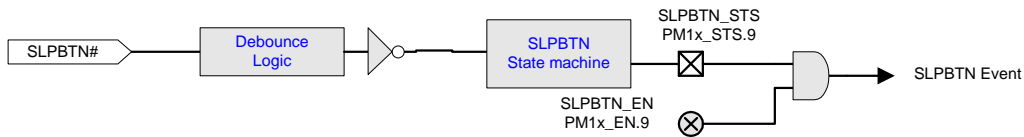
#### 4.7.2.2.2 Sleep Button

When using the two button model, ACPI supports a second button that when pressed will request OSPM to transition the platform between the G0 working and G1 sleeping states. Support for a sleep button is indicated by a combination of the SLEEP\_BUTTON flag and the sleep button device object:

**Table 4-9 Sleep Button Support**

Indicated Support	SLEEP_BUTTON Flag	Sleep Button Device Object
No sleep button	Set	Absent
Fixed hardware sleep button	Clear	Absent
Control method sleep button	Set	Present

#### 4.7.2.2.1 Fixed Hardware Sleeping Button



**Figure 4-9 Fixed Hardware Sleep Button Logic**

The fixed hardware sleep button has its event programming model in the PM1x\_EVT\_BLK. This logic consists of a single enable bit and sticky status bit. When the user presses the sleep button, the sleep button status bit (SLPBTN\_STS) is unconditionally set. Additionally, if the sleep button enable bit (SLPBTN\_EN) is set, and the sleep button status bit is set (SLPBTN\_STS, due to a button press) while the system is in the G0 state, then an SCI is generated. OSPM responds to the event by clearing the SLPBTN\_STS bit. The sleep button logic provides debounce logic that sets the SLPBTN\_STS bit on the button press “edge.”

While the system is sleeping (in either the S0, S1, S2, S3 or S4 states), any further sleep button press (after the button press that caused the system transition into the sleeping state) sets the sleep button status bit (SLPBTN\_STS) and wakes the system if the SLP\_EN bit is set. OSPM responds by clearing the sleep button status bit and waking the system.

#### 4.7.2.2.2 Control Method Sleeping Button

The sleep button programming model can also use the generic hardware programming model. This allows the sleep button to reside in any of the generic hardware address spaces (for example, the embedded controller) instead of fixed space. If the sleep button is implemented via generic hardware, then the OEM needs to define the sleep button as a device with an \_HID object value of “PNP0C0E”, which then identifies this device as the sleep button to OSPM. The AML event handler then generates a Notify command to notify OSPM that a sleep button event was generated. While in the working state, a sleep button press is a user request to transition the system into the sleeping (G1) state. In these cases the sleep button event handler issues the Notify command with the device specific code of 0x80. This will indicate to OSPM to pass control to the sleep button driver (PNP0C0E) with the knowledge that the user is requesting a transition out of the G0 state. Upon waking-up from a G1 sleeping state, the AML event handler generates a Notify command with the code of 0x2 to indicate it was responsible for waking the system.

The sleep button device needs to be declared as a device within the ACPI Namespace for the platform and only requires an \_HID. An example definition is shown below.

The AML code below does the following:

- Creates a device named “SLPB” and associates the Plug and Play identifier (through the \_HID object) of “PNP0C0E.”
- The Plug and Play identifier associates this device object with the sleep button driver.
- Creates an operational region for the control method sleep button’s programming model: System I/O space at 0x201.
- Fields that are not accessed are written as “1s” (these status bits clear upon writing a “1” to their bit position, hence preserved would fail in this case).
- Creates a field within the operational region for the sleep button status bit (called PBP). In this case the sleep button status bit is a child of the general-purpose status bit 0. When this bit is set it is the responsibility of the AML code to clear it (OSPM clears the general-purpose status bits). The address of the status bit is 0x201.0 (bit 0 at address 0x201).
- Creates an additional status bit called PBW for the sleep button wake event. This is the next bit and its physical address would be 0x201.1 (bit 1 at address 0x201).
- Generates an event handler for the sleep button that is connected to bit 0 of the general-purpose status register 0. The event handler does the following:
- Clears the sleep button status bit in hardware (writes a “1” to it).

- Notifies OSPM of the event by calling the Notify command passing the sleep button object and the device specific event indicator 0x80.

```
// Define a control method sleep button
Device(\_SB.SLPB){
  Name(_HID, EISAID("PNP0C0E"))
  Name(_PRW, Package(){0x01, 0x04})
  OperationRegion(\Boo, SystemIO, 0x201, 0x1)
  Field(\Boo, ByteAcc, NoLock, WriteAsZeros){
    SBP, 1, // sleep request
    SBW, 1 // wakeup request
  } // end of field definition
}
Scope(\_GPE){ // Root level event handlers
  Method(_L01){ // uses bit 1 of GP0_STS register
    If(\SBP){
      Store(One, \SBP) // clear sleep button status
      Notify(\_SB.SLPB, 0x80) // Notify OS of event
    }
    If(\SBW){
      Store(One, \SBW)
      Notify(\_SB.SLPB, 0x2)
    }
  } // end of _L01 handler
} // end of _GPE scope
```

### 4.7.2.3 Sleeping/Wake Control

The sleeping/wake logic consists of logic that will sequence the system into the defined low-power hardware sleeping state (S1-S4) or soft-off state (S5) and will wake the system back to the working state upon a wake event. Notice that the S4BIOS state is entered in a different manner (for more information, see section 15.1.4.2, “The S4BIOS Transition”).

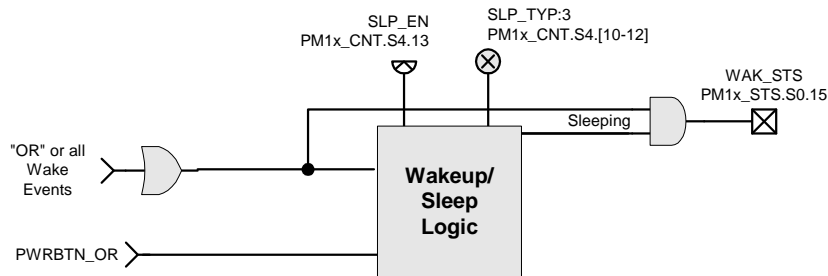


Figure 4-10 Sleeping/Wake Logic

The logic is controlled via two bit fields: Sleep Enable (SLP\_EN) and Sleep Type (SLP\_TYP<sub>x</sub>). The type of sleep state desired is programmed into the SLP\_TYP<sub>x</sub> field and upon assertion of the SLP\_EN the hardware will sequence the system into the defined sleeping state. OSPM gets values for the SLP\_TYP<sub>x</sub> field from the `\_Sx` objects defined in the static definition block. If the object is missing OSPM assumes the hardware does not support that sleeping state. Prior to entering the desired sleeping state, OSPM will read the designated `\_Sx` object and place this value in the SLP\_TYP field.

Additionally ACPI defines a fail-safe Off protocol called the “power button override,” which allows the user to initiate an Off sequence in the case where the system software is no longer able to recover the system (the system has hung). ACPI defines that this sequence be initiated by the user pressing the power button for over 4 seconds, at which point the hardware unconditionally sequences the system to the Off state. This logic is represented by the PWRBTN\_OR signal coming into the sleep logic.

While in any of the sleeping states (G1), an enabled “Wake” event will cause the hardware to sequence the system back to the working state (G0). The “Wake Status” bit (WAK\_STS) is provided for OSPM to “spin-on” after setting the SLP\_EN/SLP\_TYP bit fields. When waking from the S1 sleeping state, execution control is passed backed to OSPM immediately, whereas when waking from the S2-S5 states execution control is passed to the BIOS software (execution begins at the CPU’s reset vector). The WAK\_STS bit provides a mechanism to separate OSPM’s sleeping and waking code during an S1 sequence. When the hardware has sequenced the system into the sleeping state (defined here as the processor is no longer able to execute instructions), any enabled wake event is allowed to set the WAK\_STS bit and sequence the system back on (to the G0 state). If the system does not support the S1 sleeping state, the WAK\_STS bit can always return zero.

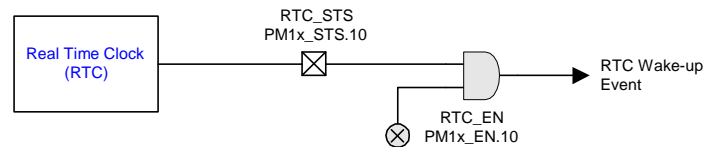
-If more than a single sleeping state is supported, then the sleeping/wake logic is required to be able to dynamically sequence between the different sleeping states. This is accomplished by waking the system; OSPM programs the new sleep state into the SLP\_TYP field, and then sets the SLP\_EN bit—placing the system again in the sleeping state.

#### 4.7.2.4 Real Time Clock Alarm

If implemented, the Real Time Clock (RTC) alarm must generate a hardware wake event when in the sleeping state. The RTC can be programmed to generate an alarm. An enabled RTC alarm can be used to generate a wake event when the system is in a sleeping state. ACPI provides for additional hardware to support OSPM in determining that the RTC was the source of the wake event: the RTC\_STS and RTC\_EN bits. Although these bits are optional, if supported they must be implemented as described here.

If the RTC\_STS and RTC\_EN bits are not supported, OSPM will attempt to identify the RTC as a possible wake source; however, it might miss certain wake events. If implemented, the RTC wake feature is required to work in the following sleeping states: S1-S3. S4 wake is optional and supported through the RTC\_S4 flag within the FADT (if set, then the platform supports RTC wake in the S4 state)<sup>3</sup>.

When the RTC generates a wake event the RTC\_STS bit will be set. If the RTC\_EN bit is set, an RTC hardware power management event will be generated (which will wake the system from a sleeping state, provided the battery low signal is not asserted).



**Figure 4-11 RTC Alarm**

The RTC wake event status and enable bits are an optional fixed hardware feature and a flag within the FADT (FIX\_RTC) indicates if the register bits are to be used by OSPM. If the RTC wake event status and enable bits are implemented in fixed hardware, OSPM can determine if the RTC was the source of the wake event without loading the entire OS. This also gives the platform the capability of indicating an RTC wake source without consuming a GPE bit, as would be required if RTC wake was not implemented using the fixed hardware RTC feature. If the fixed hardware feature event bits are not supported, then OSPM will attempt to determine this by reading the RTC’s status field. If the platform implements the RTC fixed hardware feature, and this hardware consumes resources, the \_FIX method can be used to correlate these resources with the fixed hardware. See section 6.2.5, “\_FIX (Fixed Register Resource Provide”, for details.

<sup>3</sup> Notice that the G2/S5 “soft off” and the G3 “mechanical off” states are not sleeping states. The OS will disable the RTC\_EN bit prior to entering the G2/S5 or G3 states regardless.

OSPM supports enhancements over the existing RTC device (which only supports a 99 year date and 24-hour alarm). Optional extensions are provided for the following features:

- **Day Alarm.** The DAY\_ALARM field points to an optional CMOS RAM location that selects the day within the month to generate an RTC alarm.
- **Month Alarm.** The MON\_ALARM field points to an optional CMOS RAM location that selects the month within the year to generate an RTC alarm.
- **Centenary Value.** The CENT field points to an optional CMOS RAM location that represents the centenary value of the date (thousands and hundreds of years).

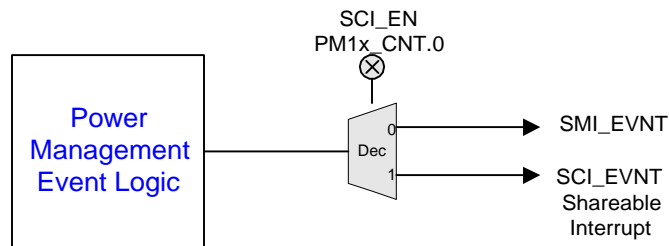
The RTC\_STS bit may be set through the RTC interrupt (IRQ8 in IA-PC architecture systems). OSPM will insure that the periodic and update interrupt sources are disabled prior to sleeping. This allows the RTC's interrupt pin to serve as the source for the RTC\_STS bit generation. Note however that if the RTC interrupt pin is used for RTC\_STS generation, the RTC\_STS bit value may not be accurate when waking from S4. If this value is accurate when waking from S4, the platform should set the S4\_RTC\_STS\_VALID flag, so that OSPM can utilize the RTC\_STS information.

**Table 4-10 Alarm Field Decodings within the FADT**

Field	Value	Address (Location) in RTC CMOS RAM (Must be Bank 0)
DAY_ALARM	Eight bit value that can represent 0x01-0x31 days in BCD or 0x01-0x1F days in binary. Bits 6 and 7 of this field are treated as Ignored by software. The RTC is initialized such that this field contains a “don’t care” value when the BIOS switches from legacy to ACPI mode. A don’t care value can be any unused value (not 0x1-0x31 BCD or 0x01-0x1F hex) that the RTC reverts back to a 24 hour alarm.	The DAY_ALARM field in the FADT will contain a non-zero value that represents an offset into the RTC’s CMOS RAM area that contains the day alarm value. A value of zero in the DAY_ALARM field indicates that the day alarm feature is not supported.
MON_ALARM	Eight bit value that can represent 01-12 months in BCD or 0x01-0xC months in binary. The RTC is initialized such that this field contains a don’t care value when the BIOS switches from legacy to ACPI mode. A “don’t care” value can be any unused value (not 1-12 BCD or x01-xC hex) that the RTC reverts back to a 24 hour alarm and/or 31 day alarm).	The MON_ALARM field in the FADT will contain a non-zero value that represents an offset into the RTC’s CMOS RAM area that contains the month alarm value. A value of zero in the MON_ALARM field indicates that the month alarm feature is not supported. If the month alarm is supported, the day alarm function must also be supported.
CENTURY	8-bit BCD or binary value. This value indicates the thousand year and hundred year (Centenary) variables of the date in BCD (19 for this century, 20 for the next) or binary (x13 for this century, x14 for the next).	The CENTURY field in the FADT will contain a non-zero value that represents an offset into the RTC’s CMOS RAM area that contains the Centenary value for the date. A value of zero in the CENTURY field indicates that the Centenary value is not supported by this RTC.

### 4.7.2.5 Legacy/ACPI Select and the SCI Interrupt

As mentioned previously, power management events are generated to initiate an interrupt or hardware sequence. ACPI operating systems use the SCI interrupt handler to respond to events, while legacy systems use some type of transparent interrupt handler to respond to these events (that is, an SMI interrupt handler). ACPI-compatible hardware can choose to support both legacy and ACPI modes or just an ACPI mode. Legacy hardware is needed to support these features for non-ACPI-compatible operating systems. When the ACPI OS loads, it scans the BIOS tables to determine that the hardware supports ACPI, and then if it finds the SCI\_EN bit reset (indicating that ACPI is not enabled), issues an ACPI activate command to the SMI handler through the SMI command port. The BIOS acknowledges the switching to the ACPI model of power management by setting the SCI\_EN bit (this bit can also be used to switch over the event mechanism as illustrated below):



**Figure 4-12 Power Management Events to SMI/SCI Control Logic**

The interrupt events (those that generate SMIs in legacy mode and SCIs in ACPI mode) are sent through a decoder controlled by the SCI\_EN bit. For legacy mode this bit is reset, which routes the interrupt events to the SMI interrupt logic. For ACPI mode this bit is set, which routes interrupt events to the SCI interrupt logic. This bit always returns set for ACPI-compatible hardware that does not support a legacy power management mode (in other words, the bit is wired to read as “1” and ignore writes).

The SCI interrupt is defined to be a shareable interrupt and is connected to an OS visible interrupt that uses a shareable protocol. The FADT has an entry that indicates what interrupt the SCI interrupt is mapped to (see section 5.2.6, “System Description Table Header”).

If the ACPI platform supports both legacy and ACPI modes, it has a register that generates a hardware event (for example, SMI for IA-PC processors). OSPM uses this register to make the hardware switch in and out of ACPI mode. Within the FADT are three values that signify the address (SMI\_CMD) of this port and the data value written to enable the ACPI state (ACPI\_ENABLE), and to disable the ACPI state (ACPI\_DISABLE).

To transition an ACPI/Legacy platform from the Legacy mode to the ACPI mode the following would occur:

- ACPI driver checks that the SCI\_EN bit is zero, and that it is in the Legacy mode.
- OSPM does an OUT to the SMI\_CMD port with the data in the ACPI\_ENABLE field of the FADT.
- OSPM polls the SCI\_EN bit until it is sampled as SET.

To transition an ACPI/Legacy platform from the ACPI mode to the Legacy mode the following would occur:

- ACPI driver checks that the SCI\_EN bit is one, and that it is in the ACPI mode.
- OSPM does an OUT to the SMI\_CMD port with the data in the ACPI\_DISABLE field of the FADT.
- OSPM polls the SCI\_EN bit until it is sampled as RESET.

Platforms that only support ACPI always return a 1 for the SCI\_EN bit. In this case OSPM skips the Legacy to ACPI transition stated above.



### 4.7.2.6 Processor Control

The ACPI specification defines several processor controls including power state control, throttling control, and performance state control. See Section 8, “Processor Configuration and Control,” for a complete description of the processor controls.

### 4.7.3 Fixed Hardware Registers

The fixed hardware registers are manipulated directly by OSPM. The following sections describe fixed hardware features under the programming model. OSPM owns all the fixed hardware resource registers; these registers cannot be manipulated by AML code. Registers are accessed with any width up to its register width (byte granular).

#### 4.7.3.1 PM1 Event Grouping

The PM1 Event Grouping has a set of bits that can be distributed between two different register blocks. This allows these registers to be partitioned between two chips, or all placed in a single chip. Although the bits can be split between the two register blocks (each register block has a unique pointer within the FADT), the bit positions are maintained. The register block with unimplemented bits (that is, those implemented in the other register block) always returns zeros, and writes have no side effects.

##### 4.7.3.1.1 PM1 Status Registers

```
Register Location: <PM1a_EVT_BLK / PM1b_EVT_BLK>      System I/O or Memory Space
Default Value:    00h
Attribute:        Read/Write
Size:             PM1_EVT_LEN / 2
```

The PM1 status registers contain the fixed hardware feature status bits. The bits can be split between two registers: PM1a\_STS or PM1b\_STS. Each register grouping can be at a different 32-bit aligned address and is pointed to by the PM1a\_EVT\_BLK or PM1b\_EVT\_BLK. The values for these pointers to the register space are found in the FADT. Accesses to the PM1 status registers are done through byte or word accesses.

For ACPI/legacy systems, when transitioning from the legacy to the G0 working state this register is cleared by BIOS prior to setting the SCI\_EN bit (and thus passing control to OSPM). For ACPI only platforms (where SCI\_EN is always set), when transitioning from either the mechanical off (G3) or soft-off state to the G0 working state this register is cleared prior to entering the G0 working state.

This register contains optional features enabled or disabled within the FADT. If the FADT indicates that the feature is not supported as a fixed hardware feature, then software treats these bits as ignored.

**Table 4-11 PM1 Status Registers Fixed Hardware Feature Status Bits**

Bit	Name	Description
0	TMR_STS	This is the timer carry status bit. This bit gets set any time the most significant bit of a 24/32-bit counter changes from clear to set or set to clear. While TMR_EN and TMR_STS are set, an interrupt event is raised.
1-3	<i>Reserved</i>	Reserved
4	BM_STS	This is the bus master status bit. This bit is set any time a system bus master requests the system bus, and can only be cleared by writing a “1” to this bit position. Notice that this bit reflects bus master activity, not CPU activity (this bit monitors any bus master that can cause an incoherent cache for a processor in the C3 state when the bus master performs a memory transaction).
5	GBL_STS	This bit is set when an SCI is generated due to the BIOS wanting the attention of the SCI handler. BIOS will have a control bit (somewhere within its address space) that will raise an SCI and set this bit. This bit is set in response to the BIOS releasing control of the Global Lock and having seen the pending bit set.
6-7	<i>Reserved</i>	Reserved. These bits always return a value of zero.
8	PWRBTN_STS	<p>This optional bit is set when the Power Button is pressed. In the system working state, while PWRBTN_EN and PWRBTN_STS are both set, an interrupt event is raised. In the sleeping or soft-off state, a wake event is generated when the power button is pressed (regardless of the PWRBTN_EN bit setting). This bit is only set by hardware and can only be reset by software writing a “1” to this bit position.</p> <p>ACPI defines an optional mechanism for unconditional transitioning a system that has stopped working from the G0 working state into the G2 soft-off state called the power button override. If the Power Button is held active for more than four seconds, this bit is cleared by hardware and the system transitions into the G2/S5 Soft Off state (unconditionally).</p> <p>Support for the power button is indicated by the PWR_BUTTON flag in the FADT being reset (zero). If the PWR_BUTTON flag is set or a power button device object is present in the ACPI Namespace, then this bit field is ignored by OSPM.</p> <p>If the power button was the cause of the wake (from an S1-S4 state), then this bit is set prior to returning control to OSPM.</p>
9	SLPBTN_STS	<p>This optional bit is set when the sleep button is pressed. In the system working state, while SLPBTN_EN and SLPBTN_STS are both set, an interrupt event is raised. In the sleeping or soft-off states a wake event is generated when the sleeping button is pressed and the SLPBTN_EN bit is set. This bit is only set by hardware and can only be reset by software writing a “1” to this bit position.</p> <p>Support for the sleep button is indicated by the SLP_BUTTON flag in the FADT being reset (zero). If the SLP_BUTTON flag is set or a sleep button device object is present in the ACPI Namespace, then this bit field is ignored by OSPM.</p> <p>If the sleep button was the cause of the wake (from an S1-S4 state), then this bit is set prior to returning control to OSPM.</p>

Bit	Name	Description
10	RTC_STS	<p>This optional bit is set when the RTC generates an alarm (asserts the RTC IRQ signal). Additionally, if the RTC_EN bit is set then the setting of the RTC_STS bit will generate a power management event (an SCI, SMI, or resume event). This bit is only set by hardware and can only be reset by software writing a “1” to this bit position.</p> <p>If the RTC was the cause of the wake (from an S1-S3 state), then this bit is set prior to returning control to OSPM. If the RTC_S4 flag within the FADT is set, and the RTC was the cause of the wake from the S4 state), then this bit is set prior to returning control to OSPM.</p>
11	Ignore	This bit field is ignored by software.
12-13	<i>Reserved</i>	Reserved. These bits always return a value of zero.
14	PCIEXP_WAKE_STS	<p>This bit is required for chipsets that implement PCI Express. This bit is set by hardware to indicate that the system woke due to a PCI Express wakeup event. A PCI Express wakeup event is defined as the PCI Express WAKE# pin being active, one or more of the PCI Express ports being in the beacon state, or receipt of a PCI Express PME message at a root port. This bit should only be set when one of these events causes the system to transition from a non-S0 system power state to the S0 system power state. This bit is set independent of the state of the PCIEXP_WAKE_DIS bit.</p> <p>Software writes a 1 to clear this bit. If the WAKE# pin is still active during the write, one or more PCI Express ports is in the beacon state or the PME message received indication has not been cleared in the root port, then the bit will remain active (i.e. all inputs to this bit are level-sensitive).</p> <p>Note: This bit does not itself cause a wake event or prevent entry to a sleeping state. Thus if the bit is 1 and the system is put into a sleeping state, the system will not automatically wake.</p>
15	WAK_STS	<p>This bit is set when the system is in the sleeping state and an enabled wake event occurs. Upon setting this bit system will transition to the working state. This bit is set by hardware and can only be cleared by software writing a “1” to this bit position.</p>

### 4.7.3.1.2 PM1 Enable Registers

Register Location: <PM1a\_EVT\_BLK / PM1b\_EVT\_BLK> + PM1\_EVT\_LEN / 2      System I/O or  
Memory Space

Default Value:      00h

Attribute:          Read/Write

Size:                PM1\_EVT\_LEN / 2

The PM1 enable registers contain the fixed hardware feature enable bits. The bits can be split between two registers: PM1a\_EN or PM1b\_EN. Each register grouping can be at a different 32-bit aligned address and is pointed to by the PM1a\_EVT\_BLK or PM1b\_EVT\_BLK. The values for these pointers to the register space are found in the FADT. Accesses to the PM1 Enable registers are done through byte or word accesses.

For ACPI/legacy systems, when transitioning from the legacy to the G0 working state the enables are cleared by BIOS prior to setting the SCI\_EN bit (and thus passing control to OSPM). For ACPI-only platforms (where SCI\_EN is always set), when transitioning from either the mechanical off (G3) or soft-off state to the G0 working state this register is cleared prior to entering the G0 working state.

This register contains optional features enabled or disabled within the FADT. If the FADT indicates that the feature is not supported as a fixed hardware feature, then software treats the enable bits as write as zero.

**Table 4-12 PM1 Enable Registers Fixed Hardware Feature Enable Bits**

Bit	Name	Description
0	TMR_EN	This is the timer carry interrupt enable bit. When this bit is set then an SCI event is generated anytime the TMR_STS bit is set. When this bit is reset then no interrupt is generated when the TMR_STS bit is set.
1-4	<i>Reserved</i>	Reserved. These bits always return a value of zero.
5	GBL_EN	The global enable bit. When both the GBL_EN bit and the GBL_STS bit are set, an SCI is raised.
6-7	<i>Reserved</i>	Reserved
8	PWRBTN_EN	This optional bit is used to enable the setting of the PWRBTN_STS bit to generate a power management event (SCI or wake). The PWRBTN_STS bit is set anytime the power button is asserted. The enable bit does not have to be set to enable the setting of the PWRBTN_STS bit by the assertion of the power button (see description of the power button hardware).  Support for the power button is indicated by the PWR_BUTTON flag in the FADT being reset (zero). If the PWR_BUTTON flag is set or a power button device object is present in the ACPI Namespace, then this bit field is ignored by OSPM.
9	SLPBTN_EN	This optional bit is used to enable the setting of the SLPBTN_STS bit to generate a power management event (SCI or wake). The SLPBTN_STS bit is set anytime the sleep button is asserted. The enable bit does not have to be set to enable the setting of the SLPBTN_STS bit by the active assertion of the sleep button (see description of the sleep button hardware).  Support for the sleep button is indicated by the SLP_BUTTON flag in the FADT being reset (zero). If the SLP_BUTTON flag is set or a sleep button device object is present in the ACPI Namespace, then this bit field is ignored by OSPM.
10	RTC_EN	This optional bit is used to enable the setting of the RTC_STS bit to generate a wake event. The RTC_STS bit is set any time the RTC generates an alarm.
11-13	<i>Reserved</i>	Reserved. These bits always return a value of zero.
14	PCIEXP_WAKE_DIS	This bit is required for chipsets that implement PCI Express. This bit disables the inputs to the PCIEXP_WAKE_STS bit in the PM1 Status register from waking the system. Modification of this bit has no impact on the value of the PCIEXP_WAKE_STS bit.
15	<i>Reserved</i>	Reserved. These bits always return a value of zero.

#### 4.7.3.2 PM1 Control Grouping

The PM1 Control Grouping has a set of bits that can be distributed between two different registers. This allows these registers to be partitioned between two chips, or all placed in a single chip. Although the bits can be split between the two register blocks (each register block has a unique pointer within the FADT), the bit positions specified here are maintained. The register block with unimplemented bits (that is, those implemented in the other register block) returns zeros, and writes have no side effects.

### 4.7.3.2.1 PM1 Control Registers

Register Location: <PM1a\_CNT\_BLK / PM1b\_CNT\_BLK> System I/O or Memory Space  
 Default Value: 00h  
 Attribute: Read/Write  
 Size: PM1\_CNT\_LEN

The PM1 control registers contain the fixed hardware feature control bits. These bits can be split between two registers: PM1a\_CNT or PM1b\_CNT. Each register grouping can be at a different 32-bit aligned address and is pointed to by the PM1a\_CNT\_BLK or PM1b\_CNT\_BLK. The values for these pointers to the register space are found in the FADT. Accesses to PM1 control registers are accessed through byte and word accesses.

This register contains optional features enabled or disabled within the FADT. If the FADT indicates that the feature is not supported as a fixed hardware feature, then software treats these bits as ignored.

**Table 4-13 PM1 Control Registers Fixed Hardware Feature Control Bits**

Bit	Name	Description
0	SCI_EN	Selects the power management event to be either an SCI or SMI interrupt for the following events. When this bit is set, then power management events will generate an SCI interrupt. When this bit is reset power management events will generate an SMI interrupt. It is the responsibility of the hardware to set or reset this bit. OSPM always preserves this bit position.
1	BM_RLD	When set, this bit allows the generation of a bus master request to cause any processor in the C3 state to transition to the C0 state. When this bit is reset, the generation of a bus master request does not affect any processor in the C3 state.
2	GBL_RLS	This write-only bit is used by the ACPI software to raise an event to the BIOS software, that is, generates an SMI to pass execution control to the BIOS for IA-PC platforms. BIOS software has a corresponding enable and status bit to control its ability to receive ACPI events (for example, BIOS_EN and BIOS_STS). The GBL_RLS bit is set by OSPM to indicate a release of the Global Lock and the setting of the pending bit in the FACS memory structure.
3-8	<i>Reserved</i>	Reserved. These bits are reserved by OSPM.
9	Ignore	Software ignores this bit field.
10-12	SLP_TYPx	Defines the type of sleeping state the system enters when the SLP_EN bit is set to one. This 3-bit field defines the type of hardware sleep state the system enters when the SLP_EN bit is set. The \_Sx object contains 3-bit binary values associated with the respective sleeping state (as described by the object). OSPM takes the two values from the \_Sx object and programs each value into the respective SLP_TYPx field.
13	SLP_EN	This is a write-only bit and reads to it always return a zero. Setting this bit causes the system to sequence into the sleeping state associated with the SLP_TYPx fields programmed with the values from the \_Sx object.
14-15	<i>Reserved</i>	Reserved. This field always returns zero.

### 4.7.3.3 Power Management Timer (PM\_TMR)

Register Location: <PM\_TMR\_BLK> System I/O or Memory Space  
 Default Value: 00h  
 Attribute: Read-Only  
 Size: 32 bits

This read-only register returns the current value of the power management timer (PM timer). The FADT has a flag called TMR\_VAL\_EXT that an OEM sets to indicate a 32-bit PM timer or reset to indicate a 24-bit PM timer. When the last bit of the timer toggles the TMR\_STS bit is set. This register is accessed as 32 bits.

This register contains optional features enabled or disabled within the FADT. If the FADT indicates that the feature is not supported as a fixed hardware feature, then software treats these bits as ignored.

**Table 4-14 PM Timer Bits**

Bit	Name	Description
0-23	TMR_VAL	This read-only field returns the running count of the power management timer. This is a 24-bit counter that runs off a 3.579545-MHz clock and counts while in the S0 working system state. The starting value of the timer is undefined, thus allowing the timer to be reset (or not) by any transition to the S0 state from any other state. The timer is reset (to any initial value), and then continues counting until the system's 14.31818 MHz clock is stopped upon entering its Sx state. If the clock is restarted without a reset, then the counter will continue counting from where it stopped.
24-31	E_TMR_VAL	This read-only field returns the upper eight bits of a 32-bit power management timer. If the hardware supports a 32-bit timer, then this field will return the upper eight bits; if the hardware supports a 24-bit timer then this field returns all zeros.

### 4.7.3.4 PM2 Control (PM2\_CNT)

Register Location: <PM2\_CNT\_BLK> System I/O, System Memory, or  
 Functional Fixed Hardware Space  
 Default Value: 00h  
 Attribute: Read/Write  
 Size: PM2\_CNT\_LEN

This register block is naturally aligned and accessed based on its length. For ACPI 1.0 this register is byte aligned and accessed as a byte.

This register contains optional features enabled or disabled within the FADT. If the FADT indicates that the feature is not supported as a fixed hardware feature, then software treats these bits as ignored.

**Table 4-15 PM2 Control Register Bits**

Bit	Name	Description
0	ARB_DIS	This bit is used to enable and disable the system arbiter. When this bit is CLEAR the system arbiter is enabled and the arbiter can grant the bus to other bus masters. When this bit is SET the system arbiter is disabled and the default CPU has ownership of the system. OSPM clears this bit when using the C0, C1 and C2 power states.
>0	Reserved	Reserved

### 4.7.3.5 Processor Register Block (P\_BLK)

This optional register block is used to control each processor in the system. There is one unique processor register block per processor in the system. For more information about controlling processors and control methods that can be used to control processors, see section 8, “Processor Configuration and Control.” This register block is DWORD aligned and the context of this register block is not maintained across S3 or S4 sleeping states, or the S5 soft-off state.

#### 4.7.3.5.1 Processor Control (P\_CNT): 32

Register Location: Either <P\_BLK>: System I/O Space  
 or specified by \_PTC Object: System I/O, System Memory, or  
 Functional Fixed Hardware Space

Default Value: 00h  
 Attribute: Read/Write  
 Size: 32 bits

This register is accessed as a DWORD. The CLK\_VAL field is where the duty setting of the throttling hardware is programmed as described by the DUTY\_WIDTH and DUTY\_OFFSET values in the FADT. Software treats all other CLK\_VAL bits as ignored (those not used by the duty setting value).

**Table 4-16 Processor Control Register Bits**

Bit	Name	Description
0-3	CLK_VAL	Possible locations for the clock throttling value.
4	THT_EN	This bit enables clock throttling of the clock as set in the CLK_VAL field. THT_EN bit must be reset LOW when changing the CLK_VAL field (changing the duty setting).
5-31	CLK_VAL	Possible locations for the clock throttling value.

#### 4.7.3.5.2 Processor LVL2 Register (P\_LVL2): 8

Register Location: Either <P\_BLK> + 4: System I/O Space  
 or specified by \_CST Object: System I/O, System Memory, or  
 Functional Fixed Hardware Space

Default Value: 00h  
 Attribute: Read-Only  
 Size: 8 bits

This register is accessed as a byte.

**Table 4-17 Processor LVL2 Register Bits**

Bit	Name	Description
0-7	P_LVL2	Reads to this register return all zeros; writes to this register have no effect. Reads to this register also generate an “enter a C2 power state” to the clock control logic.



### 4.7.3.5.3 Processor LVL3 Register (P\_LVL3): 8

Register Location: Either <P\_BLK> + 5: System I/O Space  
or specified by \_CST Object: System I/O, System Memory, or  
Functional Fixed Hardware Space

Default Value: 00h  
Attribute: Read-Only  
Size: 8 bits

This register is accessed as a byte.

**Table 4-18 Processor LVL3 Register Bits**

Bit	Name	Description
0-7	P_LVL3	Reads to this register return all zeros; writes to this register have no effect. Reads to this register also generate an “enter a C3 power state” to the clock control logic.

### 4.7.3.6 Reset Register

The optional ACPI reset mechanism specifies a standard mechanism that provides a complete system reset. When implemented, this mechanism must reset the entire system. This includes processors, core logic, all buses, and all peripherals. From an OSPM perspective, asserting the reset mechanism is the logical equivalent to power cycling the machine. Upon gaining control after a reset, OSPM will perform actions in like manner to a cold boot.

The reset mechanism is implemented via an 8-bit register described by RESET\_REG in the FADT (always accessed via the natural alignment and size described in RESET\_REG). To reset the machine, software will write a value (indicated in RESET\_VALUE in FADT) to the reset register. The RESET\_REG field in the FADT indicates the location of the reset register.

The reset register may exist only in I/O space, Memory space, or in PCI Configuration space on a function in bus 0. Therefore, the Address\_Space\_ID value in RESET\_REG must be set to I/O space, Memory space, or PCI Configuration space (with a bus number of 0). As the register is only 8 bits, Register\_Bit\_Width must be 8 and Register\_Bit\_Offset must be 0.

The system must reset immediately following the write to this register. OSPM assumes that the processor will not execute beyond the write instruction. OSPM should execute spin loops on the CPUs in the system following a write to this register.

## 4.7.4 Generic Hardware Registers

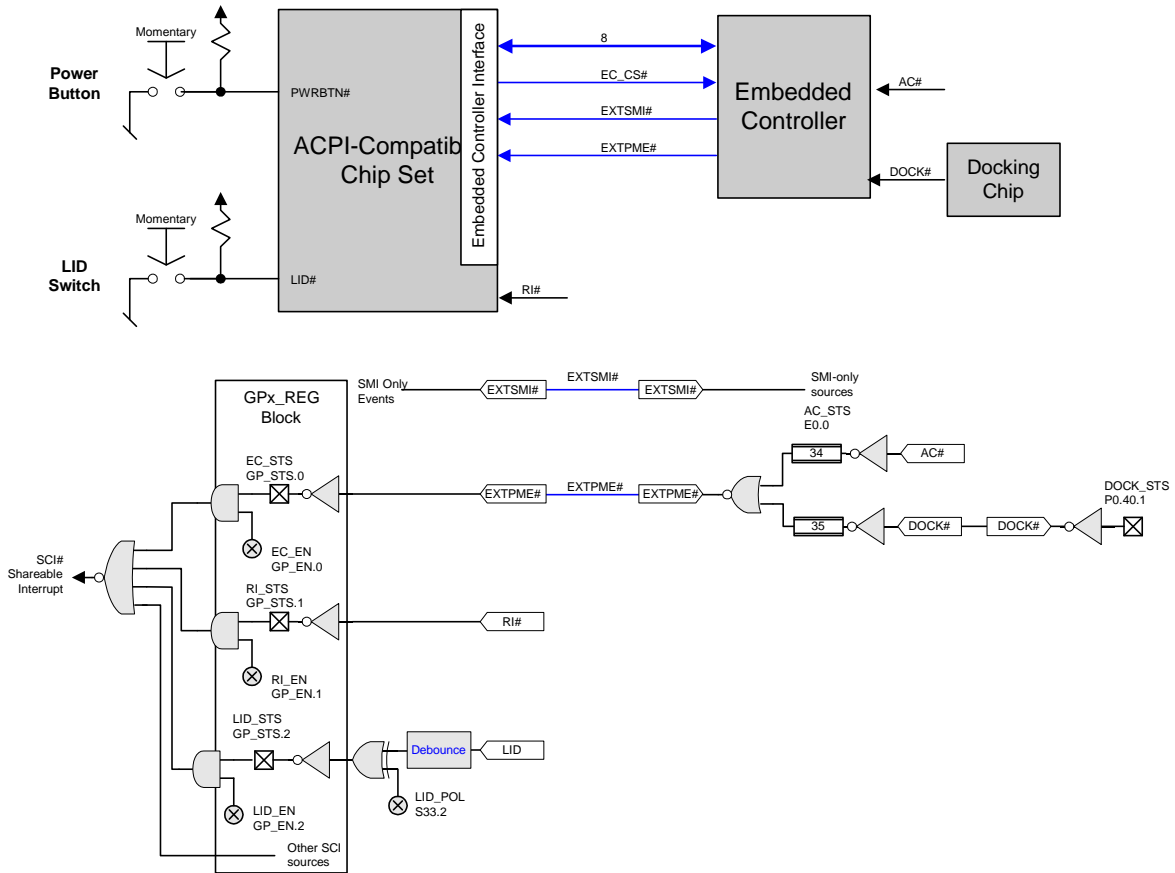
ACPI provides a mechanism that allows a unique piece of “value added” hardware to be described to OSPM in the ACPI Namespace. There are a number of rules to be followed when designing ACPI-compatible hardware.

Programming bits can reside in any of the defined generic hardware address spaces (system I/O, system memory, PCI configuration, embedded controller, or SMBus), but the top-level event bits are contained in the general-purpose event registers. The general-purpose event registers are pointed to by the GPE0\_BLK and GPE1\_BLK register blocks, and the generic hardware registers can be in any of the defined ACPI address spaces. A device’s generic hardware programming model is described through an associated object in the ACPI Namespace, which specifies the bit’s function, location, address space, and address location.

The programming model for devices is normally broken into status and control functions. Status bits are used to generate an event that allows OSPM to call a control method associated with the pending status bit. The called control method can then control the hardware by manipulating the hardware control bits or by investigating child status bits and calling their respective control methods. ACPI requires that the top level “parent” event status and enable bits reside in either the GPE0\_STS or GPE1\_STS registers, and “child” event status bits can reside in generic address space.

The example below illustrates some of these concepts. The top diagram shows how the logic is partitioned into two chips: a chipset and an embedded controller.

- The chipset contains the interrupt logic, performs the power button (which is part of the fixed register space, and is not discussed here), the lid switch (used in portables to indicate when the clam shell lid is open or closed), and the RI# function (which can be used to wake a sleeping system).
- The embedded controller chip is used to perform the AC power detect and dock/undock event logic. Additionally, the embedded controller supports some system management functions using an OS-transparent interrupt in the embedded controller (represented by the EXTSMI# signal).



**Figure 4-13 Example of General-Purpose vs. Generic Hardware Events**

At the top level, the generic events in the GPE<sub>x</sub>\_STS register are the:

- Embedded controller interrupt, which contains two query events: one for AC detection and one for docking (the docking query event has a child interrupt status bit in the docking chip).
- Ring indicate status (used for waking the system).
- Lid status.

The embedded controller event status bit (EC\_STS) is used to indicate that one of two query events is active.

- A query event is generated when the AC# signal is asserted. The embedded controller returns a query value of 34 (any byte number can be used) upon a query command in response to this event; OSPM will then schedule for execution the control method associated with query value 34.

Another query event is for the docking chip that generates a docking event. In this case, the embedded controller will return a query value of 35 upon a query command from system software responding to an SCI from the embedded controller. OSPM will then schedule the control method associated with the query value of 35 to be executed, which services the docking event.

For each of the status bits in the GPE<sub>x</sub>\_STS register, there is a corresponding enable bit in the GPE<sub>x</sub>\_EN register. Notice that the child status bits do not necessarily need enable bits (see the DOCK\_STS bit).

The lid logic contains a control bit to determine if its status bit is set when the LID is open (LID\_POL is set and LID is set) or closed (LID\_POL is clear and LID is clear). This control bit resides in generic I/O space (in this case, bit 2 of system I/O space 33h) and would be manipulated with a control method associated with the lid object.

As with fixed hardware events, OSPM will clear the status bits in the GPE<sub>x</sub> register blocks. However, AML code clears all sibling status bits in the generic hardware.

Generic hardware features are controlled by OEM supplied control methods, encoded in AML. ACPI provides both an event and control model for development of these features. The ACPI specification also provides specific control methods for notifying OSPM of certain power management and Plug and Play events. Section 5, “ACPI Software Programming Model,” provides information on the types of hardware functionality that support the different types of subsystems. The following is a list of features supported by ACPI. The list is not intended to be complete or comprehensive.

- Device insertion/ejection (for example, docking, device bay, A/C adapter)
- Batteries<sup>4</sup>
- Platform thermal subsystem
- Turning on/off power resources
- Mobile lid Interface
- Embedded controller
- System indicators
- OEM-specific wake events
- Plug and Play configuration

#### 4.7.4.1 General-Purpose Event Register Blocks

ACPI supports up to two general-purpose register blocks as described in the FADT (see section 5, “ACPI Software Programming Model”) and an arbitrary number of additional GPE blocks described as devices within the ACPI namespace. Each register block contains two registers: an enable and a status register. Each register block is 32-bit aligned. Each register in the block is accessed as a byte. It is up to the specific design to determine if these bits retain their context across sleeping or soft-off states. If they lose their context across a sleeping or soft-off state, then BIOS resets the respective enable bit prior to passing control to the OS upon waking.

##### 4.7.4.1.1 General-Purpose Event 0 Register Block

This register block consists of two registers: The GPE0\_STS and the GPE0\_EN registers. Each register’s length is defined to be half the length of the GPE0 register block, and is described in the ACPI FADT’s GPE0\_BLK and GPE0\_BLK\_LEN operators. OSPM owns the general-purpose event resources and these bits are only manipulated by OSPM; AML code cannot access the general-purpose event registers.

It is envisioned that chipsets will contain GPE event registers that provide GPE input pins for various events.

The platform designer would then wire the GPEs to the various value-added event hardware and the AML code would describe to OSPM how to utilize these events. As such, there will be the case where a platform has GPE events that are not wired to anything (they are present in the chip set), but are not utilized by the platform and have no associated AML code. In such, cases these event pins are to be tied inactive such that the corresponding SCI status bit in the GPE register is not set by a floating input pin.

---

<sup>4</sup> ACPI operating systems assume the use of the Smart Battery System Implementers Forum defined standard for batteries, called the “Smart Battery Specification” (SBS). ACPI provides a set of control methods for use by OEMs that use a proprietary “control method” battery interface.

#### 4.7.4.1.1.1 General-Purpose Event 0 Status Register

Register Location: <GPE0\_STS> System I/O or System Memory Space  
 Default Value: 00h  
 Attribute: Read/Write  
 Size: GPE0\_BLK\_LEN/2

The general-purpose event 0 status register contains the general-purpose event status bits in bank zero of the general-purpose registers. Each available status bit in this register corresponds to the bit with the same bit position in the GPE0\_EN register. Each available status bit in this register is set when the event is active, and can only be cleared by software writing a “1” to its respective bit position. For the general-purpose event registers, unimplemented bits are ignored by OSPM.

Each status bit can optionally wake the system if asserted when the system is in a sleeping state with its respective enable bit set. OSPM accesses GPE registers through byte accesses (regardless of their length).

#### 4.7.4.1.1.2 General-Purpose Event 0 Enable Register

Register Location: <GPE0\_EN> System I/O or System Memory Space  
 Default Value: 00h  
 Attribute: Read/Write  
 Size: GPE0\_BLK\_LEN/2

The general-purpose event 0 enable register contains the general-purpose event enable bits. Each available enable bit in this register corresponds to the bit with the same bit position in the GPE0\_STS register. The enable bits work similarly to how the enable bits in the fixed-event registers are defined: When the enable bit is set, then a set status bit in the corresponding status bit will generate an SCI bit. OSPM accesses GPE registers through byte accesses (regardless of their length).

#### 4.7.4.1.2 General-Purpose Event 1 Register Block

This register block consists of two registers: The GPE1\_STS and the GPE1\_EN registers. Each register’s length is defined to be half the length of the GPE1 register block, and is described in the ACPI FADT’s GPE1\_BLK and GPE1\_BLK\_LEN operators.

#### 4.7.4.1.2.1 General-Purpose Event 1 Status Register

Register Location: <GPE1\_STS> System I/O or System Memory Space  
 Default Value: 00h  
 Attribute: Read/Write  
 Size: GPE1\_BLK\_LEN/2

The general -purpose event 1 status register contains the general-purpose event status bits. Each available status bit in this register corresponds to the bit with the same bit position in the GPE1\_EN register. Each available status bit in this register is set when the event is active, and can only be cleared by software writing a “1” to its respective bit position. For the general-purpose event registers, unimplemented bits are ignored by the operating system.

Each status bit can optionally wake the system if asserted when the system is in a sleeping state with its respective enable bit set.

OSPM accesses GPE registers through byte accesses (regardless of their length).

### 4.7.4.1.2.2 General-Purpose Event 1 Enable Register

Register Location: <GPE1\_EN> System I/O or System Memory Space  
 Default Value: 00h  
 Attribute: Read/Write  
 Size: GPE1\_BLK\_LEN/2

The general-purpose event 1 enable register contains the general-purpose event enable. Each available enable bit in this register corresponds to the bit with the same bit position in the GPE1\_STS register. The enable bits work similarly to how the enable bits in the fixed-event registers are defined: When the enable bit is set, a set status bit in the corresponding status bit will generate an SCI bit.

OSPM accesses GPE registers through byte accesses (regardless of their length).

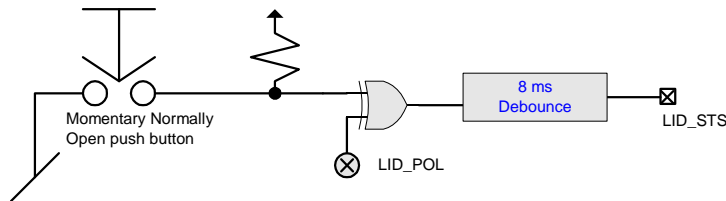
### 4.7.4.2 Example Generic Devices

This section points out generic devices with specific ACPI driver support.

#### 4.7.4.2.1 Lid Switch

The Lid switch is an optional feature present in most “clam shell” style mobile computers. It can be used by the OS as policy input for sleeping the system, or for waking the system from a sleeping state. If used, then the OEM needs to define the lid switch as a device with an \_HID object value of “PNPOCOD”, which identifies this device as the lid switch to OSPM. The Lid device needs to contain a control method that returns its status. The Lid event handler AML code reconfigures the lid hardware (if it needs to) to generate an event in the other direction, clear the status, and then notify OSPM of the event.

Example hardware and ASL code is shown below for such a design.



**Figure 4-14 Example Generic Address Space Lid Switch Logic**

This logic will set the Lid status bit when the button is pressed or released (depending on the LID\_POL bit).

The ASL code below defines the following:

- An operational region where the lid polarity resides in address space System address space in registers 0x201.
- A field operator to allow AML code to access this bit: Polarity control bit (LID\_POL) is called LPOL and is accessed at 0x201.0.
- A device named \\_SB.LID with the following:
  - A Plug and Play identifier “PNPOCOD” that associates OSPM with this object.
  - Defines an object that specifies a change in the lid’s status bit can wake the system from the S4 sleep state and from all higher sleep states (S1, S2, or S3).
- The lid switch event handler that does the following:
  - Defines the lid status bit (LID\_STS) as a child of the general-purpose event 0 register bit 1.
  - Defines the event handler for the lid (only event handler on this status bit) that does the following: Flips the polarity of the LPOL bit (to cause the event to be generated on the opposite condition). Generates a notify to the OS that does the following: Passes the \\_SB.LID object. Indicates a device specific event (notify value 0x80).

```

// Define a Lid switch
OperationRegion(\PHO, SystemIO, 0x201, 0x1)
Field(\PHO, ByteAcc, NoLock, Preserve) {
    LPOL, 1 // Lid polarity control bit
}

Device(\_SB.LID){
    Name(_HID, EISAID("PNP0C0D"))
    Method(_LID){Return(LPOL)}
    Name(_PRW, Package(2){
        1, // bit 1 of GPE to enable Lid wakeup
        0x04 // can wakeup from S4 state
    })
}

Scope(\_GPE){ // Root level event handlers
    Method(_L01){ // uses bit 1 of GP0_STS register
        Not(LPOL, LPOL) // Flip the lid polarity bit
        Notify(LID, 0x80) // Notify OS of event
    }
}

```

#### 4.7.4.2.2 Embedded Controller

ACPI provides a standard interface that enables AML code to define and access generic logic in “embedded controller space.” This supports current computer models where much of the value added hardware is contained within the embedded controller while allowing the AML code to access this hardware in an abstracted fashion.

The embedded controller is defined as a device and must contain a set number of control methods:

- `_HID` with a value of `PNP0C09` to associate this device with the ACPI’s embedded controller’s driver.
- `_CRS` to return the resources being consumed by the embedded controller.
- `_GPE` that returns the general-purpose event bit that this embedded controller is wired to.

Additionally the embedded controller can support up to 255 generic events per embedded controller, referred to as query events. These query event handles are defined within the embedded controller’s device as control methods. An example of defining an embedded controller device is shown below:

```

Device(EC0) {
    // PnP ID
    Name(_HID, EISAID("PNP0C09"))
    // Returns the "Current Resources" of EC
    Name(_CRS,
        ResourceTemplate(){
            IO(Decode16, 0x62, 0x62, 0, 1)
            IO(Decode16, 0x66, 0x66, 0, 1)
        })
    // Indicate that the EC SCI is bit 0 of the GP_STS register
    Name(_GPE, 0) // embedded controller is wired to bit 0 of GPE

    OperationRegion(\EC0, EmbeddedControl, 0, 0xFF)
    Field(EC0, ByteAcc, Lock, Preserve) {
        // Field definitions
    }
    // Query methods
    Method(_Q00){...}
    Method(_QFF){...}
}

```

For more information on the embedded controller, see section 12, “ACPI Embedded Controller Interface Specification.”

#### **4.7.4.2.3 Fan**

ACPI has a device driver to control fans (active cooling devices) in platforms. A fan is defined as a device with the Plug and Play ID of “PNP0C0B.” It should then contain a list power resources used to control the fan.

For more information, see section 9, “ACPI-Defined Devices and Device Specific Objects.”





## 5 ACPI Software Programming Model

ACPI defines a hardware register interface that an ACPI-compatible OS uses to control core power management features of a machine, as described in section 4, “ACPI Hardware Specification.” ACPI also provides an abstract interface for controlling the power management and configuration of an ACPI system. Finally, ACPI defines an interface between an ACPI-compatible OS and the system BIOS.

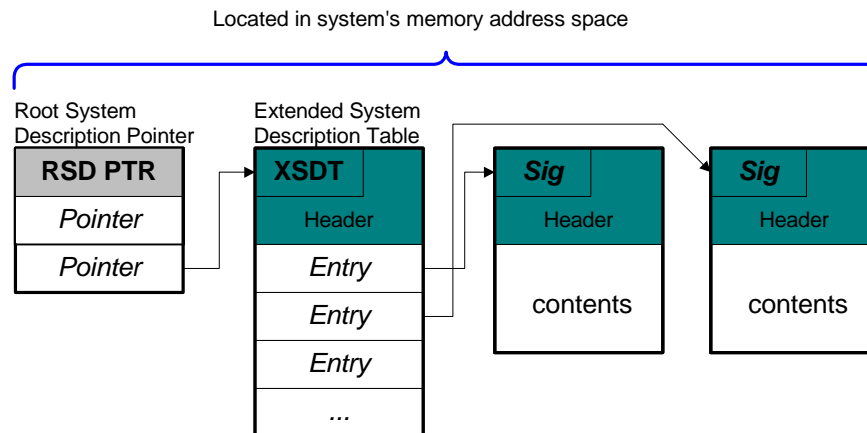
To give hardware vendors flexibility in choosing their implementation, ACPI uses tables to describe system information, features, and methods for controlling those features. These tables list devices on the system board or devices that cannot be detected or power managed using some other hardware standard, plus their capabilities as described in section 3, “Overview.” They also list system capabilities such as the sleeping power states supported, a description of the power planes and clock sources available in the system, batteries, system indicator lights, and so on. This enables OSPM to control system devices without needing to know how the system controls are implemented.

Topics covered in this section are:

- The ACPI system description table architecture is defined, and the role of OEM-provided definition blocks in that architecture is discussed.
- The concept of the ACPI Namespace is discussed.

### 5.1 Overview of the System Description Table Architecture

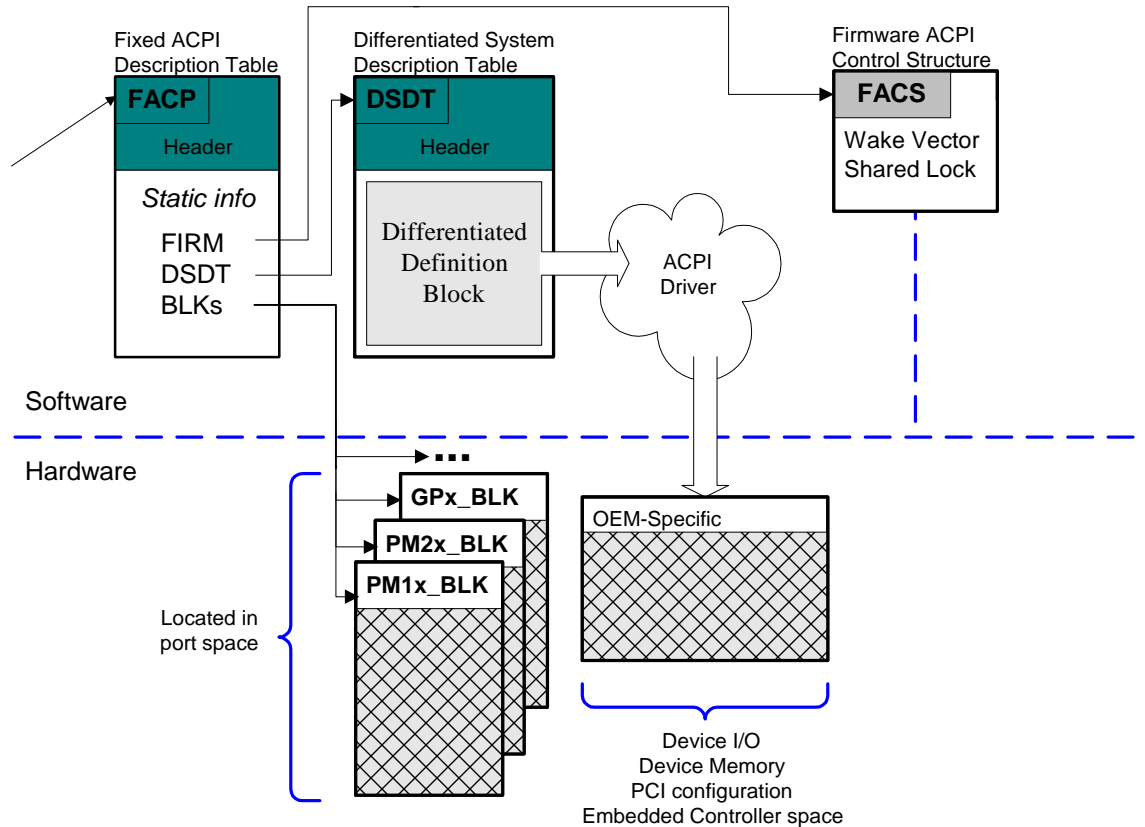
The Root System Description Pointer (RSDP) structure is located in the system’s memory address space and is setup by the platform firmware. This structure contains the address of the Extended System Description Table (XSDT), which references other description tables that provide data to OSPM, supplying it with knowledge of the base system’s implementation and configuration (see Figure 5-1).



**Figure 5-1 Root System Description Pointer and Table**

All system description tables start with identical headers. The primary purpose of the system description tables is to define for OSPM various industry-standard implementation details. Such definitions enable various portions of these implementations to be flexible in hardware requirements and design, yet still provide OSPM with the knowledge it needs to control hardware directly.

The Extended System Description Table (XSDT) points to other tables in memory. Always the first table, it points to the Fixed ACPI Description table (FADT). The data within this table includes various fixed-length entries that describe the fixed ACPI features of the hardware. The FADT table always refers to the Differentiated System Description Table (DSDT), which contains information and descriptions for various system features. The relationship between these tables is shown in Figure 5-2.



**Figure 5-2 Description Table Structures**

- OSPM finds the RSDP structure as described in section 5.2.5.1 (“Finding the RSDP on IA-PC Systems”) or section 5.2.5.2 (“Finding the RSDP on UEFI Enabled Systems”).

When OSPM locates the structure, it looks at the physical address for the Root System Description Table or the Extended System Description Table. The Root System Description Table starts with the signature “RSDT”, while the Extended System Description Table starts with the signature “XSDT”. These tables contain one or more physical pointers to other system description tables that provide various information about the system. As shown in Figure 5-1, there is always a physical address in the Root System Description Table for the Fixed ACPI Description table (FADT).

When OSPM follows a physical pointer to another table, it examines each table for a known signature. Based on the signature, OSPM can then interpret the implementation-specific data within the description table.

The purpose of the FADT is to define various static system information related to configuration and power management. The Fixed ACPI Description Table starts with the “FACP” signature. The FADT describes the implementation and configuration details of the ACPI hardware registers on the platform.

For a specification of the ACPI Hardware Register Blocks (PM1a\_EVT\_BLK, PM1b\_EVT\_BLK, PM1a\_CNT\_BLK, PM1b\_CNT\_BLK, PM2\_CNT\_BLK, PM\_TMR\_BLK, GP0\_BLK, GP1\_BLK, and one or more P\_BLKs), see section 4.7, “ACPI Register Model.” The PM1a\_EVT\_BLK, PM1b\_EVT\_BLK, PM1a\_CNT\_BLK, PM1b\_CNT\_BLK, PM2\_CNT\_BLK, and PM\_TMR\_BLK blocks are for controlling low-level ACPI system functions.

The GPE0\_BLK and GPE1\_BLK blocks provide the foundation for an interrupt-processing model for Control Methods. The P\_BLK blocks are for controlling processor features.

Besides ACPI Hardware Register implementation information, the FADT also contains a physical pointer to a data structure known as the Differentiated System Description Table (DSDT), which is encoded in Definition Block format (See section 5.2.11, “Definition Blocks”).

A Definition Block contains information about the platform’s hardware implementation details in the form of data objects arranged in a hierarchical (tree-structured) entity known as the “ACPI namespace”, which represents the platform’s hardware configuration. All definition blocks loaded by OSPM combine to form one namespace that represents the platform. Data objects are encoded in a format known as ACPI Machine Language or AML for short. Data objects encoded in AML are “evaluated” by an OSPM entity known as the AML interpreter. Their values may be static or dynamic. The AML interpreter’s dynamic data object evaluation capability includes support for programmatic evaluation, including accessing address spaces (for example, I/O or memory accesses), calculation, and logical evaluation, to determine the result. Dynamic namespace objects are known as “control methods”. OSPM “loads” or “unloads” an entire definition block as a logical unit – adding to or removing the associated objects from the namespace. The DSDT is always loaded by OSPM at boot time and cannot be unloaded. It contains a Definition Block named the Differentiated Definition Block that contains implementation and configuration information OSPM can use to perform power management, thermal management, or Plug and Play functionality that goes beyond the information described by the ACPI hardware registers.

Definition Blocks can either define new system attributes or, in some cases, build on prior definitions. A Definition Block can be loaded from system memory address space. One use of a Definition Block is to describe and distribute platform version changes.

Definition blocks enable wide variations of hardware platform implementations to be described to the ACPI-compatible OS while confining the variations to reasonable boundaries. Definition blocks enable simple platform implementations to be expressed by using a few well-defined object names. In theory, it might be possible to define a PCI configuration space-like access method within a Definition Block, by building it from I/O space, but that is not the goal of the Definition Block specification. Such a space is usually defined as a “built in” operator.

Some operators perform simple functions and others encompass complex functions. The power of the Definition Block comes from its ability to allow these operations to be glued together in numerous ways, to provide functionality to OSPM. The operators present are intended to allow many useful hardware designs to be ACPI-expressed, not to allow all hardware designs to be expressed.

### 5.1.1 Address Space Translation

Some platforms may contain bridges that perform translations as I/O and/or Memory cycles pass through the bridges. This translation can take the form of the addition or subtraction of an offset. Or it can take the form of a conversion from I/O cycles into Memory cycles and back again. When translation takes place, the addresses placed on the processor bus by the processor during a read or write cycle are not the same addresses that are placed on the I/O bus by the I/O bus bridge. The address the processor places on the processor bus will be known here as the processor-relative address. And the address that the bridge places on the I/O bus will be known as the bus-relative address. Unless otherwise noted, all addresses used within this section are processor-relative addresses.

For example, consider a platform with two root PCI buses. The platform designer has several choices. One solution would be to split the 16-bit I/O space into two parts, assigning one part to the first root PCI bus and one part to the second root PCI bus. Another solution would be to make both root PCI buses decode the entire 16-bit I/O space, mapping the second root PCI bus's I/O space into memory space. In this second scenario, when the processor needs to read from an I/O register of a device underneath the second root PCI bus, it would need to perform a memory read within the range that the root PCI bus bridge is using to map the I/O space.

**Note:** Industry standard PCs do not provide address space translations because of historical compatibility issues.

## 5.2 ACPI System Description Tables

This section specifies the structure of the system description tables:

- Root System Description Pointer (RSDP)
- System Description Table Header
- Root System Description Table (RSDT)
- Fixed ACPI Description Table (FADT)
- Firmware ACPI Control Structure (FACS)
- Differentiated System Description Table (DSDT)
- Secondary System Description Table (SSDT)
- Multiple APIC Description Table (MADT)
- Smart Battery Table (SBST)
- Extended System Description Table (XSDT)
- Embedded Controller Boot Resources Table (ECDT)
- System Locality Distance Information Table (SLIT)
- System Resource Affinity Table (SRAT)

All numeric values in ACPI-defined tables, blocks, and structures are always encoded in little endian format. Signature values are stored as fixed-length strings.

### 5.2.1 Reserved Bits and Fields

For future expansion, all data items marked as *reserved* in this specification have strict meanings. This section lists software requirements for *reserved* fields. Notice that the list contains terms such as ACPI tables and AML code defined later in this section of the specification.

#### 5.2.1.1 Reserved Bits and Software Components

- OEM implementations of software and AML code return the bit value of 0 for all reserved bits in ACPI tables or in other software values, such as resource descriptors.
- For all reserved bits in ACPI tables and registers, OSPM implementations must:
  - Ignore all reserved bits that are read.
  - Preserve reserved bit values of read/write data items (for example, OSPM writes back reserved bit values it reads).
  - Write zeros to reserved bits in write-only data items.

#### 5.2.1.2 Reserved Values and Software Components

- OEM implementations of software and AML code return only defined values and do not return reserved values.
- OSPM implementations write only defined values and do not write reserved values.

#### 5.2.1.3 Reserved Hardware Bits and Software Components

- Software ignores all reserved bits read from hardware enable or status registers.
- Software writes zero to all reserved bits in hardware enable registers.
- Software ignores all reserved bits read from hardware control and status registers.
- Software preserves the value of all reserved bits in hardware control registers by writing back read values.

#### 5.2.1.4 Ignored Hardware Bits and Software Components

- Software handles ignored bits in ACPI hardware registers the same way it handles reserved bits in these same types of registers.

## 5.2.2 Compatibility

All versions of the ACPI tables must maintain backward compatibility. To accomplish this, modifications of the tables consist of redefinition of previously reserved fields and values plus appending data to the 1.0 tables. Modifications of the ACPI tables require that the version numbers of the modified tables be incremented. The length field in the tables includes all additions and the checksum is maintained for the entire length of the table.

## 5.2.3 Address Format

Addresses used in the ACPI 1.0 system description tables were expressed as either system memory or I/O space. This was targeted at the IA-32 environment. Newer architectures require addressing mechanisms beyond that defined in ACPI 1.0. To support these architectures ACPI must support 64-bit addressing and it must allow the placement of control registers in address spaces other than System I/O.

### 5.2.3.1 Generic Address Structure

The Generic Address Structure (GAS) provides the platform with a robust means to describe register locations. This structure, described below (Table 5-1), is used to express register addresses within tables defined by ACPI.

**Table 5-1 Generic Address Structure (GAS)**

Field	Byte Length	Byte Offset	Description
Address Space ID	1	0	The address space where the data structure or register exists. Defined values are: 0 System Memory 1 System I/O 2 PCI Configuration Space 3 Embedded Controller 4 SMBus 5 to 0x7E <i>Reserved</i> 0x7F Functional Fixed Hardware 0x80 to 0xBF <i>Reserved</i> 0xC0 to 0xFF OEM Defined
Register Bit Width	1	1	The size in bits of the given register. When addressing a data structure, this field must be zero.
Register Bit Offset	1	2	The bit offset of the given register at the given address. When addressing a data structure, this field must be zero.
Access Size	1	3	Specifies access size. 0 Undefined (legacy reasons) 1 Byte access 2 Word access 3 Dword access 4 QWord access
Address	8	4	The 64-bit address of the data structure or register in the given address space (relative to the processor). (See below for specific formats.)

**Table 5-2 Address Space Format**

Address Space	Format	
0–System Memory	The 64-bit physical memory address (relative to the processor) of the register. 32-bit platforms must have the high DWORD set to 0.	
1–System I/O	The 64-bit I/O address (relative to the processor) of the register. 32-bit platforms must have the high DWORD set to 0.	
2–PCI Configuration Space	PCI Configuration space addresses must be confined to devices on PCI Segment Group 0, bus 0. This restriction exists to accommodate access to fixed hardware prior to PCI bus enumeration. The format of addresses are defined as follows:	
	<b>WORD Location</b>	<b>Description</b>
	Highest WORD	<i>Reserved</i> (must be 0)
	...	PCI Device number on bus 0
	...	PCI Function number
	Lowest WORD	Offset in the configuration space header
	For example: Offset 23h of Function 2 on device 7 on bus 0 segment 0 would be represented as: 0x0000000700020023.	
0x7F–Functional Fixed Hardware	Use of GAS fields other than Address_Space_ID is specified by the CPU manufacturer. The use of functional fixed hardware carries with it a reliance on OS specific software that must be considered. OEMs should consult OS vendors to ensure that specific functional fixed hardware interfaces are supported by specific operating systems.	

## 5.2.4 Universal Uniform Identifiers (UUID)

UUIDs (Universally Unique IDentifiers), also known as GUIDs (Globally Unique IDentifiers) are 128 bit long values that extremely likely to be different from all other UUIDs generated until 3400 A.D. UUIDs are used to distinguish between callers of ASL methods, such as `_DSM` and `_OSC`.

The format of both the binary and string representations of UUIDs along with an algorithm to generate them is specified in ISO/IEC 11578:1996 and can be found as part of the Distributed Computing Environment 1.1: Remote Procedure Call specification, which can be downloaded from here: <http://www.opengroup.org/publications/catalog/c706.htm>.

## 5.2.5 Root System Description Pointer (RSDP)

During OS initialization, OSPM must obtain the Root System Description Pointer (RSDP) structure from the platform. When OSPM locates the Root System Description Pointer (RSDP) structure, it then locates the Root System Description Table (RSDT) or the Extended Root System Description Table (XSDT) using the physical system address supplied in the RSDP.

### 5.2.5.1 Finding the RSDP on IA-PC Systems

OSPM finds the Root System Description Pointer (RSDP) structure by searching physical memory ranges on 16-byte boundaries for a valid Root System Description Pointer structure signature and checksum match as follows:

- The first 1 KB of the Extended BIOS Data Area (EBDA). For EISA or MCA systems, the EBDA can be found in the two-byte location 40:0Eh on the BIOS data area.
- The BIOS read-only memory space between 0E0000h and 0FFFFFFh.

### 5.2.5.2 Finding the RSDP on UEFI Enabled Systems

In Unified Extensible Firmware Interface (UEFI) enabled systems, a pointer to the RSDP structure exists within the EFI System Table. The OS loader is provided a pointer to the EFI System Table at invocation. The OS loader must retrieve the pointer to the RSDP structure from the EFI System Table and convey the pointer to OSPM, using an OS dependent data structure, as part of the hand off of control from the OS loader to the OS.

The OS loader locates the pointer to the RSDP structure by examining the EFI Configuration Table within the EFI System Table. EFI Configuration Table entries consist of Globally Unique Identifier (GUID)/table pointer pairs. The UEFI specification defines two GUIDs for ACPI; one for ACPI 1.0 and the other for ACPI 2.0 or later specification revisions.

The EFI GUID for a pointer to the ACPI 1.0 specification RSDP structure is: EB9D2D30-2D88-11D3-9A16-0090273FC14D.

The EFI GUID for a pointer to the ACPI 2.0 or later specification RSDP structure is: 8868E871-E4F1-11D3-BC22-0080C73C8881.

The OS loader for an ACPI-compatible OS will search for an RSDP structure pointer using the current revision GUID first and if it finds one, will use the corresponding RSDP structure pointer. If the GUID is not found then the OS loader will search for the RSDP structure pointer using the ACPI 1.0 version GUID.

The OS loader must retrieve the pointer to the RSDP structure from the EFI System Table **before** assuming platform control via the EFI ExitBootServices interface. See the UEFI Specification for more information.

### 5.2.5.3 RSDP Structure

The revision number contained within the structure indicates the size of the table structure.

**Table 5-3 Root System Description Pointer Structure**

Field	Byte Length	Byte Offset	Description
Signature	8	0	“RSD PTR ” (Notice that this signature must contain a trailing blank character.)
Checksum	1	8	This is the checksum of the fields defined in the ACPI 1.0 specification. This includes only the first 20 bytes of this table, bytes 0 to 19, including the checksum field. These bytes must sum to zero.
OEMID	6	9	An OEM-supplied string that identifies the OEM.
Revision	1	15	The revision of this structure. Larger revision numbers are backward compatible to lower revision numbers. The ACPI version 1.0 revision number of this table is zero. The current value for this field is 2.
RsdAddress	4	16	32 bit physical address of the RSDT.
Length	4	20	The length of the table, in bytes, including the header, starting from offset 0. This field is used to record the size of the entire table.
XsdtAddress	8	24	64 bit physical address of the XSDT.
Extended Checksum	1	32	This is a checksum of the entire table, including both checksum fields.
<i>Reserved</i>	3	33	Reserved field



## 5.2.6 System Description Table Header

All system description tables begin with the structure shown in Table 5-4. The Signature field determines the content of the system description table. System description table signatures defined by this specification are listed in Table 5-5.

**Table 5-4 DESCRIPTION\_HEADER Fields**

Field	Byte Length	Byte Offset	Description
Signature	4	0	The ASCII string representation of the table identifier. Notice that if OSPM finds a signature in a table that is not listed in Table 5-5, OSPM ignores the entire table (it is not loaded into ACPI namespace); OSPM ignores the table even though the values in the Length and Checksum fields are correct.
Length	4	4	The length of the table, in bytes, including the header, starting from offset 0. This field is used to record the size of the entire table.
Revision	1	8	The revision of the structure corresponding to the signature field for this table. Larger revision numbers are backward compatible to lower revision numbers with the same signature.
Checksum	1	9	The entire table, including the checksum field, must add to zero to be considered valid.
OEMID	6	10	An OEM-supplied string that identifies the OEM.
OEM Table ID	8	16	An OEM-supplied string that the OEM uses to identify the particular data table. This field is particularly useful when defining a definition block to distinguish definition block functions. The OEM assigns each dissimilar table a new OEM Table ID.
OEM Revision	4	24	An OEM-supplied revision number. Larger numbers are assumed to be newer revisions.
Creator ID	4	28	Vendor ID of utility that created the table. For tables containing Definition Blocks, this is the ID for the ASL Compiler.
Creator Revision	4	32	Revision of utility that created the table. For tables containing Definition Blocks, this is the revision for the ASL Compiler.

For OEMs, good design practices will ensure consistency when assigning OEMID and OEM Table ID fields in any table. The intent of these fields is to allow for a binary control system that support services can use. Because many support functions can be automated, it is useful when a tool can programmatically determine which table release is a compatible and more recent revision of a prior table on the same OEMID and OEM Table ID.

Tables 5-5 and 5-6 contain the system description table signatures defined by this specification. These system description tables may be defined by ACPI and documented within this specification (Table 5-5) or they may be simply reserved by ACPI and defined by other industry specifications (Table 5-6). This allows OS and platform specific tables to be defined and pointed to by the RSDT/XSDT as needed. For tables defined by other industry specifications, the ACPI specification acts as gatekeeper to avoid collisions in table signatures.

Table signatures will be reserved by the ACPI promoters and posted independently of this specification in ACPI errata and clarification documents on the ACPI web site. Requests to reserve a 4-byte alphanumeric table signature should be sent to the email address [info@acpi.info](mailto:info@acpi.info) and should include the purpose of the table and reference URL to a document that describes the table format. Tables defined outside of the ACPI specification may define data value encodings in either little endian or big endian format. For the purpose of clarity, external table definition documents should include the endian-ness of their data value encodings.

Since reference URLs can change over time and may not always be up-to-date in this specification, a separate document containing the latest known reference URLs can be found at: <http://www.acpi.info/DOWNLOADS/referenceurls.pdf>. If this document does not exist at this URL, then there are currently no updates available.

**Table 5-5 DESCRIPTION\_HEADER Signatures for tables defined by ACPI**

Signature	Description	Reference
“APIC”	Multiple APIC Description Table	Section 5.2.12, “Multiple APIC Description Table”
“BERT”	Boot Error Record Table	Section 17.3.1, “Boot Error Source”
“CPEP”	Corrected Platform Error Polling Table	Section 5.2.18, “Corrected Platform Error Polling Table”
“DSDT”	Differentiated System Description Table	Section 5.2.11.1, “Differentiated System Description Table”
“ECDT”	Embedded Controller Boot Resources Table	Section 5.2.15, “Embedded Controller Boot Resources Table”
“EINJ”	Error Injection Table	Section 17.5.1, “Error Injection Table”
“ERST”	Error Record Serialization Table	Section 17.4, “Error Serialization”
”FACP”	Fixed ACPI Description Table (FADT)	Section 5.2.9, “Fixed ACPI Description Table”
“FACS”	Firmware ACPI Control Structure	Section 5.2.10, “Firmware ACPI Control Structure”
“HEST”	Hardware Error Source Table	Section 17.3.2, “ACPI Error Source”
“MSCT”	Maximum System Characteristics Table	Section 5.2.19, “Maximum System Characteristics Table”
“OEMx”	OEM Specific Information Tables	OEM Specific tables. All table signatures starting with “OEM” are reserved for OEM use.
“PSDT”	Persistent System Description Table	Section 5.2.11.3, “Persistent System Description Table”
“RSDT”	Root System Description Table	Section 5.2.7, “Root System Description Table”
“SBST”	Smart Battery Specification Table	Section 5.2.14, “Smart Battery Table”
“SLIT”	System Locality Distance Information Table	Section 5.2.17, “System Locality Distance Information Table”
“SRAT”	System Resource Affinity Table	Section 5.2.16, “System Resource Affinity Table”
“SSDT”	Secondary System Description Table	Section 5.2.11.2, “Secondary System Description Table”
“XSDT”	Extended System Description Table	Section 5.2.8, “Extended System Description Table”

**Table 5-6 DESCRIPTION\_HEADER Signatures for tables reserved by ACPI**

<b>Signature</b>	<b>Description and External Reference</b>
“BOOT”	Simple Boot Flag Table See: Microsoft Simple Boot Flag Specification <a href="http://www.microsoft.com/whdc/resources/respec/specs/simp_boot.mspix">http://www.microsoft.com/whdc/resources/respec/specs/simp_boot.mspix</a>
“DBGP”	Debug Port Table Microsoft Debug Port Specification <a href="http://www.microsoft.com/HWDEV/PLATFORM/pcdesign/LR/debugspec.asp">http://www.microsoft.com/HWDEV/PLATFORM/pcdesign/LR/debugspec.asp</a>
“DMAR”	DMA Remapping Table <a href="http://download.intel.com/technology/computing/vptech/Intel(r)_VT_for_Direct_IO.pdf">http://download.intel.com/technology/computing/vptech/Intel(r)_VT_for_Direct_IO.pdf</a>
“ETDT”	Event Timer Description Table (Obsolete) IA-PC Multimedia Timers Specification. This signature has been superseded by “HPET” and is now obsolete.
“HPET”	IA-PC High Precision Event Timer Table IA-PC High Precision Event Timer Specification <a href="http://www.intel.com/hardware/design/hpetspec_1.pdf">http://www.intel.com/hardware/design/hpetspec_1.pdf</a>
“IBFT”	iSCSI Boot Firmware Table <a href="http://www.microsoft.com/whdc/system/platform/firmware/ibft.mspix">http://www.microsoft.com/whdc/system/platform/firmware/ibft.mspix</a>
“IVRS”	I/O Virtualization Reporting Structure <a href="http://www.amd.com/us-en/assets/content_type/white_papers_and_tech_docs/34434.pdf">http://www.amd.com/us-en/assets/content_type/white_papers_and_tech_docs/34434.pdf</a>
“MCFG”	PCI Express memory mapped configuration space base address Description Table PCI Firmware Specification, Revision 3.0 <a href="http://pcisig.com">http://pcisig.com</a>
“MCHI”	Management Controller Host Interface Table DSP0256 Management Component Transport Protocol (MCTP) Host Interface Specification <a href="http://www.dmtf.org/standards/published_documents/DSP0256_1.0.0a.pdf">http://www.dmtf.org/standards/published_documents/DSP0256_1.0.0a.pdf</a>
“SPCR”	Serial Port Console Redirection Table Microsoft Serial Port Console Redirection Table <a href="http://www.microsoft.com/HWDEV/PLATFORM/server/headless/SPCR.asp">http://www.microsoft.com/HWDEV/PLATFORM/server/headless/SPCR.asp</a>
“SPMI”	Server Platform Management Interface Table <a href="ftp://download.intel.com/design/servers/ipmi/IPMIv2_0rev1_0.pdf">ftp://download.intel.com/design/servers/ipmi/IPMIv2_0rev1_0.pdf</a>
“TCPA”	Trusted Computing Platform Alliance Capabilities Table TCPA PC Specific Implementation Specification <a href="https://www.trustedcomputinggroup.org/home">https://www.trustedcomputinggroup.org/home</a>
“UEFI”	UEFI ACPI Data Table UEFI Specification <a href="http://www.uefi.org">http://www.uefi.org</a>
“WAET”	Windows ACPI Enlightenment Table <a href="http://www.microsoft.com/whdc/system/platform/virtual/WAET.mspix">http://www.microsoft.com/whdc/system/platform/virtual/WAET.mspix</a>
“WDAT”	Watch Dog Action Table Requirements for Hardware Watchdog Timers Supported by Windows – Design Specification <a href="http://www.microsoft.com/whdc/system/sysinternals/hw-wdt.mspix">http://www.microsoft.com/whdc/system/sysinternals/hw-wdt.mspix</a>
“WDRT”	Watchdog Resource Table Watchdog Timer Hardware Requirements for Windows Server 2003 <a href="http://www.microsoft.com/whdc/system/CEC/watchdog.mspix">http://www.microsoft.com/whdc/system/CEC/watchdog.mspix</a>

## 5.2.7 Root System Description Table (RSDT)

OSPM locates that Root System Description Table by following the pointer in the RSDP structure. The RSDT, shown in Table 5-7, starts with the signature ‘RSDT’ followed by an array of physical pointers to other system description tables that provide various information on other standards defined on the current system. OSPM examines each table for a known signature. Based on the signature, OSPM can then interpret the implementation-specific data within the table.

Platforms provide the RSDT to enable compatibility with ACPI 1.0 operating systems. The XSDT, described in the next section, supersedes RSDT functionality.

**Table 5-7 Root System Description Table Fields (RSDT)**

Field	Byte Length	Byte Offset	Description
Header			
Signature	4	0	‘RSDT’ Signature for the Root System Description Table.
Length	4	4	Length, in bytes, of the entire RSDT. The length implies the number of Entry fields ( $n$ ) at the end of the table.
Revision	1	8	1
Checksum	1	9	Entire table must sum to zero.
OEMID	6	10	OEM ID
OEM Table ID	8	16	For the RSDT, the table ID is the manufacture model ID. This field must match the OEM Table ID in the FADT.
OEM Revision	4	24	OEM revision of RSDT table for supplied OEM Table ID.
Creator ID	4	28	Vendor ID of utility that created the table. For tables containing Definition Blocks, this is the ID for the ASL Compiler.
Creator Revision	4	32	Revision of utility that created the table. For tables containing Definition Blocks, this is the revision for the ASL Compiler.
Entry	$4*n$	36	An array of 32-bit physical addresses that point to other DESCRIPTION_HEADERS. OSPM assumes at least the DESCRIPTION_HEADER is addressable, and then can further address the table based upon its Length field.

## 5.2.8 Extended System Description Table (XSDT)

The XSDT provides identical functionality to the RSDT but accommodates physical addresses of DESCRIPTION HEADERS that are larger than 32-bits. Notice that both the XSDT and the RSDT can be pointed to by the RSDP structure. An ACPI-compatible OS must use the XSDT if present.

**Table 5-8 Extended System Description Table Fields (XSDT)**

Field	Byte Length	Byte Offset	Description
Header			
Signature	4	0	'XSDT'. Signature for the Extended System Description Table.
Length	4	4	Length, in bytes, of the entire table. The length implies the number of Entry fields ( <i>n</i> ) at the end of the table.
Revision	1	8	1
Checksum	1	9	Entire table must sum to zero.
OEMID	6	10	OEM ID
OEM Table ID	8	16	For the XSDT, the table ID is the manufacture model ID. This field must match the OEM Table ID in the FADT.
OEM Revision	4	24	OEM revision of XSDT table for supplied OEM Table ID.
Creator ID	4	28	Vendor ID of utility that created the table. For tables containing Definition Blocks, this is the ID for the ASL Compiler.
Creator Revision	4	32	Revision of utility that created the table. For tables containing Definition Blocks, this is the revision for the ASL Compiler.
Entry	8* <i>n</i>	36	An array of 64-bit physical addresses that point to other DESCRIPTION_HEADERS. OSPM assumes at least the DESCRIPTION_HEADER is addressable, and then can further address the table based upon its Length field.

## 5.2.9 Fixed ACPI Description Table (FADT)

The Fixed ACPI Description Table (FADT) defines various fixed hardware ACPI information vital to an ACPI-compatible OS, such as the base address for the following hardware registers blocks: PM1a\_EVT\_BLK, PM1b\_EVT\_BLK, PM1a\_CNT\_BLK, PM1b\_CNT\_BLK, PM2\_CNT\_BLK, PM\_TMR\_BLK, GPE0\_BLK, and GPE1\_BLK.

The FADT also has a pointer to the DSDT that contains the Differentiated Definition Block, which in turn provides variable information to an ACPI-compatible OS concerning the base system design.

All fields in the FADT that provide hardware addresses provide processor-relative physical addresses.

**Table 5-9 Fixed ACPI Description Table (FADT) Format**

Field	Byte Length	Byte Offset	Description
Header			
Signature	4	0	'FACP'. Signature for the Fixed ACPI Description Table.
Length	4	4	Length, in bytes, of the entire FADT.
Revision	1	8	4
Checksum	1	9	Entire table must sum to zero.
OEMID	6	10	OEM ID
OEM Table ID	8	16	For the FADT, the table ID is the manufacture model ID. This field must match the OEM Table ID in the RSDT.
OEM Revision	4	24	OEM revision of FADT for supplied OEM Table ID.
Creator ID	4	28	Vendor ID of utility that created the table. For tables containing Definition Blocks, this is the ID for the ASL Compiler.
Creator Revision	4	32	Revision of utility that created the table. For tables containing Definition Blocks, this is the revision for the ASL Compiler.
FIRMWARE_CTRL	4	36	Physical memory address of the FACS, where OSPM and Firmware exchange control information. See section 5.2.6, "Root System Description Table," for a description of the FACS. If the X_FIRMWARE_CTRL field contains a non zero value then this field must be zero. A zero value indicates that no FACS is specified by this field.
DSDT	4	40	Physical memory address (0-4 GB) of the DSDT.
<i>Reserved</i>	1	44	ACPI 1.0 defined this offset as a field named INT_MODEL, which was eliminated in ACPI 2.0. Platforms should set this field to zero but field values of one are also allowed to maintain compatibility with ACPI 1.0.

Field	Byte Length	Byte Offset	Description
Preferred_PM_Profile	1	45	<p>This field is set by the OEM to convey the preferred power management profile to OSPM. OSPM can use this field to set default power management policy parameters during OS installation.</p> <p>Field Values:</p> <p>0      Unspecified  1      Desktop  2      Mobile  3      Workstation  4      Enterprise Server  5      SOHO Server  6      Appliance PC  7      Performance Server  &gt;7    <i>Reserved</i></p>
SCI_INT	2	46	<p>System vector the SCI interrupt is wired to in 8259 mode. On systems that do not contain the 8259, this field contains the Global System interrupt number of the SCI interrupt. OSPM is required to treat the ACPI SCI interrupt as a sharable, level, active low interrupt.</p>
SMI_CMD	4	48	<p>System port address of the SMI Command Port. During ACPI OS initialization, OSPM can determine that the ACPI hardware registers are owned by SMI (by way of the SCI_EN bit), in which case the ACPI OS issues the ACPI_ENABLE command to the SMI_CMD port. The SCI_EN bit effectively tracks the ownership of the ACPI hardware registers. OSPM issues commands to the SMI_CMD port synchronously from the boot processor. This field is reserved and must be zero on system that does not support System Management mode.</p>
ACPI_ENABLE	1	52	<p>The value to write to SMI_CMD to disable SMI ownership of the ACPI hardware registers. The last action SMI does to relinquish ownership is to set the SCI_EN bit. During the OS initialization process, OSPM will synchronously wait for the transfer of SMI ownership to complete, so the ACPI system releases SMI ownership as quickly as possible. This field is reserved and must be zero on systems that do not support Legacy Mode.</p>
ACPI_DISABLE	1	53	<p>The value to write to SMI_CMD to re-enable SMI ownership of the ACPI hardware registers. This can only be done when ownership was originally acquired from SMI by OSPM using ACPI_ENABLE. An OS can hand ownership back to SMI by relinquishing use to the ACPI hardware registers, masking off all SCI interrupts, clearing the SCI_EN bit and then writing ACPI_DISABLE to the SMI_CMD port from the boot processor. This field is reserved and must be zero on systems that do not support Legacy Mode.</p>
S4BIOS_REQ	1	54	<p>The value to write to SMI_CMD to enter the S4BIOS state. The S4BIOS state provides an alternate way to enter the S4 state where the firmware saves and restores the memory context. A value of zero in S4BIOS_F indicates S4BIOS_REQ is not supported. (See Table 5-12.)</p>

Field	Byte Length	Byte Offset	Description
PSTATE_CNT	1	55	If non-zero, this field contains the value OSPM writes to the SMI_CMD register to assume processor performance state control responsibility.
PM1a_EVT_BLK	4	56	System port address of the PM1a Event Register Block. See section 4.7.3.1, “PM1 Event Grouping,” for a hardware description layout of this register block. This is a required field. This field is superseded by the X_PM1a_EVT_BLK field.
PM1b_EVT_BLK	4	60	System port address of the PM1b Event Register Block. See section 4.7.3.1, “PM1 Event Grouping,” for a hardware description layout of this register block. This field is optional; if this register block is not supported, this field contains zero. This field is superseded by the X_PM1b_EVT_BLK field.
PM1a_CNT_BLK	4	64	System port address of the PM1a Control Register Block. See section 4.7.3.2, “PM1 Control Grouping,” for a hardware description layout of this register block. This is a required field. This field is superseded by the X_PM1a_CNT_BLK field.
PM1b_CNT_BLK	4	68	System port address of the PM1b Control Register Block. See section 4.7.3.2, “PM1 Control Grouping,” for a hardware description layout of this register block. This field is optional; if this register block is not supported, this field contains zero. This field is superseded by the X_PM1b_CNT_BLK field.
PM2_CNT_BLK	4	72	System port address of the PM2 Control Register Block. See section 4.7.3.4, “PM2 Control (PM2_CNT),” for a hardware description layout of this register block. This field is optional; if this register block is not supported, this field contains zero. This field is superseded by the X_PM2_CNT_BLK field.
PM_TMR_BLK	4	76	System port address of the Power Management Timer Control Register Block. See section 4.7.3.3, “Power Management Timer (PM_TMR),” for a hardware description layout of this register block. This is a required field. This field is superseded by the X_PM_TMR_BLK field.
GPE0_BLK	4	80	System port address of General-Purpose Event 0 Register Block. See section 4.7.4.1, “General-Purpose Event Register Blocks,” for a hardware description of this register block. This is an optional field; if this register block is not supported, this field contains zero. This field is superseded by the X_GPE0_BLK field.
GPE1_BLK	4	84	System port address of General-Purpose Event 1 Register Block. See section 4.7.4.1, “General-Purpose Event Register Blocks,” for a hardware description of this register block. This is an optional field; if this register block is not supported, this field contains zero. This field is superseded by the X_GPE1_BLK field.
PM1_EVT_LEN	1	88	Number of bytes decoded by PM1a_EVT_BLK and, if supported, PM1b_EVT_BLK. This value is $\geq 4$ .
PM1_CNT_LEN	1	89	Number of bytes decoded by PM1a_CNT_BLK and, if supported, PM1b_CNT_BLK. This value is $\geq 2$ .



Field	Byte Length	Byte Offset	Description
PM2_CNT_LEN	1	90	Number of bytes decoded by PM2_CNT_BLK. Support for the PM2 register block is optional. If supported, this value is $\geq 1$ . If not supported, this field contains zero.
PM_TMR_LEN	1	91	Number of bytes decoded by PM_TMR_BLK. This field's value must be 4.
GPE0_BLK_LEN	1	92	Number of bytes decoded by GPE0_BLK. The value is a non-negative multiple of 2.
GPE1_BLK_LEN	1	93	Number of bytes decoded by GPE1_BLK. The value is a non-negative multiple of 2.
GPE1_BASE	1	94	Offset within the ACPI general-purpose event model where GPE1 based events start.
CST_CNT	1	95	If non-zero, this field contains the value OSPM writes to the SMI_CMD register to indicate OS support for the _CST object and C States Changed notification.
P_LVL2_LAT	2	96	The worst-case hardware latency, in microseconds, to enter and exit a C2 state. A value $> 100$ indicates the system does not support a C2 state.
P_LVL3_LAT	2	98	The worst-case hardware latency, in microseconds, to enter and exit a C3 state. A value $> 1000$ indicates the system does not support a C3 state.
FLUSH_SIZE	2	100	<p>If WBINVD=0, the value of this field is the number of flush strides that need to be read (using cacheable addresses) to completely flush dirty lines from any processor's memory caches. Notice that the value in FLUSH_STRIDE is typically the smallest cache line width on any of the processor's caches (for more information, see the FLUSH_STRIDE field definition). If the system does not support a method for flushing the processor's caches, then FLUSH_SIZE and WBINVD are set to zero. Notice that this method of flushing the processor caches has limitations, and WBINVD=1 is the preferred way to flush the processors caches. This value is typically at least 2 times the cache size. The maximum allowed value for FLUSH_SIZE multiplied by FLUSH_STRIDE is 2 MB for a typical maximum supported cache size of 1 MB. Larger cache sizes are supported using WBINVD=1. This value is ignored if WBINVD=1.</p> <p>This field is maintained for ACPI 1.0 processor compatibility on existing systems. Processors in new ACPI-compatible systems are required to support the WBINVD function and indicate this to OSPM by setting the WBINVD field = 1.</p>

Field	Byte Length	Byte Offset	Description
FLUSH_STRIDE	2	102	If WBINVD=0, the value of this field is the cache line width, in bytes, of the processor's memory caches. This value is typically the smallest cache line width on any of the processor's caches. For more information, see the description of the FLUSH_SIZE field. This value is ignored if WBINVD=1. This field is maintained for ACPI 1.0 processor compatibility on existing systems. Processors in new ACPI-compatible systems are required to support the WBINVD function and indicate this to OSPM by setting the WBINVD field = 1.
DUTY_OFFSET	1	104	The zero-based index of where the processor's duty cycle setting is within the processor's P_CNT register.
DUTY_WIDTH	1	105	The bit width of the processor's duty cycle setting value in the P_CNT register. Each processor's duty cycle setting allows the software to select a nominal processor frequency below its absolute frequency as defined by: $THTL\_EN = 1$ $BF * DC / (2^{DUTY\_WIDTH})$ Where: BF—Base frequency DC—Duty cycle setting When THTL_EN is 0, the processor runs at its absolute BF. A DUTY_WIDTH value of 0 indicates that processor duty cycle is not supported and the processor continuously runs at its base frequency.
DAY_ALARM	1	106	The RTC CMOS RAM index to the day-of-month alarm value. If this field contains a zero, then the RTC day of the month alarm feature is not supported. If this field has a non-zero value, then this field contains an index into RTC RAM space that OSPM can use to program the day of the month alarm. See section 4.7.2.4, "Real Time Clock Alarm," for a description of how the hardware works.
MON_ALARM	1	107	The RTC CMOS RAM index to the month of year alarm value. If this field contains a zero, then the RTC month of the year alarm feature is not supported. If this field has a non-zero value, then this field contains an index into RTC RAM space that OSPM can use to program the month of the year alarm. If this feature is supported, then the DAY_ALARM feature must be supported also.
CENTURY	1	108	The RTC CMOS RAM index to the century of data value (hundred and thousand year decimals). If this field contains a zero, then the RTC centenary feature is not supported. If this field has a non-zero value, then this field contains an index into RTC RAM space that OSPM can use to program the centenary field.
IAPC_BOOT_ARCH	2	109	IA-PC Boot Architecture Flags. See Table 5-11 for a description of this field.
<i>Reserved</i>	1	111	Must be 0.
Flags	4	112	Fixed feature flags. See Table 5-10 for a description of this field.

Field	Byte Length	Byte Offset	Description
RESET_REG	12	116	The address of the reset register represented in Generic Address Structure format (See section 4.7.3.6, “Reset Register,” for a description of the reset mechanism.) <b>Note:</b> Only System I/O space, System Memory space and PCI Configuration space (bus #0) are valid for values for Address_Space_ID. Also, Register_Bit_Width must be 8 and Register_Bit_Offset must be 0.
RESET_VALUE	1	128	Indicates the value to write to the RESET_REG port to reset the system. (See section 4.7.3.6, “Reset Register,” for a description of the reset mechanism.)
<i>Reserved</i>	3	129	Must be 0.
X_FIRMWARE_CTRL	8	132	64bit physical address of the FACS. This field is used when the physical address of the FACS is above 4GB. If the FIRMWARE_CTRL field contains a non zero value then this field must be zero. A zero value indicates that no FACS is specified by this field.
X_DSDT	8	140	64bit physical address of the DSDT.
X_PM1a_EVT_BLK	12	148	Extended address of the PM1a Event Register Block, represented in Generic Address Structure format. See section 4.7.3.1, “PM1 Event Grouping,” for a hardware description layout of this register block. This is a required field.
X_PM1b_EVT_BLK	12	160	Extended address of the PM1b Event Register Block, represented in Generic Address Structure format. See section 4.7.3.1, “PM1 Event Grouping,” for a hardware description layout of this register block. This field is optional; if this register block is not supported, this field contains zero.
X_PM1a_CNT_BLK	12	172	Extended address of the PM1a Control Register Block, represented in Generic Address Structure format. See section 4.7.3.2, “PM1 Control Grouping,” for a hardware description layout of this register block. This is a required field.
X_PM1b_CNT_BLK	12	184	Extended address of the PM1b Control Register Block, represented in Generic Address Structure format. See section 4.7.3.2, “PM1 Control Grouping,” for a hardware description layout of this register block. This field is optional; if this register block is not supported, this field contains zero.
X_PM2_CNT_BLK	12	196	Extended address of the Power Management 2 Control Register Block, represented in Generic Address Structure format. See section 4.7.3.4, “PM2 Control (PM2_CNT),” for a hardware description layout of this register block. This field is optional; if this register block is not supported, this field contains zero.
X_PM_TMR_BLK	12	208	Extended address of the Power Management Timer Control Register Block, represented in Generic Address Structure format. See section 4.7.3.3, “Power Management Timer (PM_TMR),” for a hardware description layout of this register block. This is a required field.

Field	Byte Length	Byte Offset	Description
X_GPE0_BLK	12	220	Extended address of the General-Purpose Event 0 Register Block, represented in Generic Address Structure format. See section 5.2.8, “Fixed ACPI Description Table,” for a hardware description of this register block. This is an optional field; if this register block is not supported, this field contains zero.
X_GPE1_BLK	12	232	Extended address of the General-Purpose Event 1 Register Block, represented in Generic Address Structure format. See section 5.2.8, “Fixed ACPI Description Table,” for a hardware description of this register block. This is an optional field; if this register block is not supported, this field contains zero.

**Table 5-10 Fixed ACPI Description Table Fixed Feature Flags**

FACP - Flag	Bit Length	Bit Offset	Description
WBINVD	1	0	Processor properly implements a functional equivalent to the WBINVD IA-32 instruction.  If set, signifies that the WBINVD instruction correctly flushes the processor caches, maintains memory coherency, and upon completion of the instruction, all caches for the current processor contain no cached data other than what OSPM references and allows to be cached. If this flag is not set, the ACPI OS is responsible for disabling all ACPI features that need this function. This field is maintained for ACPI 1.0 processor compatibility on existing systems. Processors in new ACPI-compatible systems are required to support this function and indicate this to OSPM by setting this field.
WBINVD_FLUSH	1	1	If set, indicates that the hardware flushes all caches on the WBINVD instruction and maintains memory coherency, but does not guarantee the caches are invalidated. This provides the complete semantics of the WBINVD instruction, and provides enough to support the system sleeping states. If neither of the WBINVD flags is set, the system will require FLUSH_SIZE and FLUSH_STRIDE to support sleeping states. If the FLUSH parameters are also not supported, the machine cannot support sleeping states S1, S2, or S3.
PROC_C1	1	2	A one indicates that the C1 power state is supported on all processors.
P_LVL2_UP	1	3	A zero indicates that the C2 power state is configured to only work on a uniprocessor (UP) system. A one indicates that the C2 power state is configured to work on a UP or multiprocessor (MP) system.

FACP - Flag	Bit Length	Bit Offset	Description
PWR_BUTTON	1	4	<p>A zero indicates the power button is handled as a fixed feature programming model; a one indicates the power button is handled as a control method device. If the system does not have a power button, this value would be “1” and no sleep button device would be present.</p> <p>Independent of the value of this field, the presence of a power button device in the namespace indicates to OSPM that the power button is handled as a control method device.</p>
SLP_BUTTON	1	5	<p>A zero indicates the sleep button is handled as a fixed feature programming model; a one indicates the sleep button is handled as a control method device.</p> <p>If the system does not have a sleep button, this value would be “1” and no sleep button device would be present.</p> <p>Independent of the value of this field, the presence of a sleep button device in the namespace indicates to OSPM that the sleep button is handled as a control method device.</p>
FIX_RTC	1	6	<p>A zero indicates the RTC wake status is supported in fixed register space; a one indicates the RTC wake status is not supported in fixed register space.</p>
RTC_S4	1	7	<p>Indicates whether the RTC alarm function can wake the system from the S4 state. The RTC must be able to wake the system from an S1, S2, or S3 sleep state. The RTC alarm can optionally support waking the system from the S4 state, as indicated by this value.</p>
TMR_VAL_EXT	1	8	<p>A zero indicates TMR_VAL is implemented as a 24-bit value. A one indicates TMR_VAL is implemented as a 32-bit value. The TMR_STS bit is set when the most significant bit of the TMR_VAL toggles.</p>
DCK_CAP	1	9	<p>A zero indicates that the system cannot support docking. A one indicates that the system can support docking. Notice that this flag does not indicate whether or not a docking station is currently present; it only indicates that the system is capable of docking.</p>
RESET_REG_SUP	1	10	<p>If set, indicates the system supports system reset via the FADT RESET_REG as described in section 4.7. 3.6, “Reset Register.”</p>
SEALED_CASE	1	11	<p>System Type Attribute. If set indicates that the system has no internal expansion capabilities and the case is sealed.</p>
HEADLESS	1	12	<p>System Type Attribute. If set indicates the system cannot detect the monitor or keyboard / mouse devices.</p>
CPU_SW_SLP	1	13	<p>If set, indicates to OSPM that a processor native instruction must be executed after writing the SLP_TYPx register.</p>
PCI_EXP_WAK	1	14	<p>If set, indicates the platform supports the PCIEXP_WAKE_STS bit in the PM1 Status register and the PCIEXP_WAKE_EN bit in the PM1 Enable register. This bit must be set on platforms containing chipsets that implement PCI Express.</p>

FACP - Flag	Bit Length	Bit Offset	Description
USE_PLATFORM_CLOCK	1	15	<p>A value of one indicates that OSPM should use a platform provided timer to drive any monotonically non-decreasing counters, such as OSPM performance counter services. Which particular platform timer will be used is OSPM specific, however, it is recommended that the timer used is based on the following algorithm: If the HPET is exposed to OSPM, OSPM should use the HPET. Otherwise, OSPM will use the ACPI power management timer. A value of one indicates that the platform is known to have a correctly implemented ACPI power management timer.</p> <p>A platform may choose to set this flag if a internal processor clock (or clocks in a multi-processor configuration) cannot provide consistent monotonically non-decreasing counters.</p> <p>Note: If a value of zero is present, OSPM may arbitrarily choose to use an internal processor clock or a platform timer clock for these operations. That is, a zero does not imply that OSPM will necessarily use the internal processor clock to generate a monotonically non-decreasing counter to the system.</p>
S4_RTC_STS_VALID	1	16	<p>A one indicates that the contents of the RTC_STS flag is valid when waking the system from S4.</p> <p>See Table 4-11 – PM1 Status Registers Fixed Hardware Feature Status Bits for more information. Some existing systems do not reliably set this input today, and this bit allows OSPM to differentiate correctly functioning platforms from platforms with this errata.</p>
REMOTE_POWER_ON_CAPABLE	1	17	<p>A one indicates that the platform is compatible with remote power-on.</p> <p>That is, the platform supports OSPM leaving GPE wake events armed prior to an S5 transition. Some existing platforms do not reliably transition to S5 with wake events enabled (for example, the platform may immediately generate a spurious wake event after completing the S5 transition). This flag allows OSPM to differentiate correctly functioning platforms from platforms with this type of errata.</p>
FORCE_APIC_CLUSTER_MODEL	1	18	<p>A one indicates that all local APICs must be configured for the cluster destination model when delivering interrupts in logical mode.</p> <p>If this bit is set, then logical mode interrupt delivery operation may be undefined until OSPM has moved all local APICs to the cluster model.</p> <p>Note that the cluster destination model doesn't apply to Itanium™ Processor Family (IPF) local SAPICs. This bit is intended for xAPIC based machines that require the cluster destination model even when 8 or fewer local APICs are present in the machine.</p>

FACP - Flag	Bit Length	Bit Offset	Description
FORCE_APIC_PHYSICAL_DESTINATION_MODE	1	19	A one indicates that all local xAPICs must be configured for physical destination mode. If this bit is set, interrupt delivery operation in logical destination mode is undefined. On machines that contain fewer than 8 local xAPICs or that do not use the xAPIC architecture, this bit is ignored.
<i>Reserved</i>	12	20	

### 5.2.9.1 Preferred PM Profile System Types

The following descriptions of preferred power management profile system types are to be used as a guide for setting the Preferred\_PM\_Profile field in the FADT. OSPM can use this field to set default power management policy parameters during OS installation.

**Desktop.** A single user, full featured, stationary computing device that resides on or near an individual's work area. Most often contains one processor. Must be connected to AC power to function. This device is used to perform work that is considered mainstream corporate or home computing (for example, word processing, Internet browsing, spreadsheets, and so on).

**Mobile.** A single-user, full-featured, portable computing device that is capable of running on batteries or other power storage devices to perform its normal functions. Most often contains one processor. This device performs the same task set as a desktop. However it may have limitations due to its size, thermal requirements, and/or power source life.

**Workstation.** A single-user, full-featured, stationary computing device that resides on or near an individual's work area. Often contains more than one processor. Must be connected to AC power to function. This device is used to perform large quantities of computations in support of such work as CAD/CAM and other graphics-intensive applications.

**Enterprise Server.** A multi-user, stationary computing device that frequently resides in a separate, often specially designed, room. Will almost always contain more than one processor. Must be connected to AC power to function. This device is used to support large-scale networking, database, communications, or financial operations within a corporation or government.

**SOHO Server.** A multi-user, stationary computing device that frequently resides in a separate area or room in a small or home office. May contain more than one processor. Must be connected to AC power to function. This device is generally used to support all of the networking, database, communications, and financial operations of a small office or home office.

**Appliance PC.** A device specifically designed to operate in a low-noise, high-availability environment such as a consumer's living rooms or family room. Most often contains one processor. This category also includes home Internet gateways, Web pads, set top boxes and other devices that support ACPI. Must be connected to AC power to function. Normally they are sealed case style and may only perform a subset of the tasks normally associated with today's personal computers.

**Performance Server.** A multi-user stationary computing device that frequently resides in a separate, often specially designed room. Will often contain more than one processor. Must be connected to AC power to function. This device is used in an environment where power savings features are willing to be sacrificed for better performance and quicker responsiveness.

### 5.2.9.2 System Type Attributes

This set of flags is used by the OS to assist in determining assumptions about power and device management. These flags are read at boot time and are used to make decisions about power management and device settings. For example, a system that has the SEALED\_CASE bit set may take a very aggressive low noise policy toward thermal management. In another example an OS might not load video, keyboard or mouse drivers on a HEADLESS system.

### 5.2.9.3 IA-PC Boot Architecture Flags

This set of flags is used by an OS to guide the assumptions it can make in initializing hardware on IA-PC platforms. These flags are used by an OS at boot time (before the OS is capable of providing an operating environment suitable for parsing the ACPI namespace) to determine the code paths to take during boot. In IA-PC platforms with reduced legacy hardware, the OS can skip code paths for legacy devices if none are present. For example, if there are no ISA devices, an OS could skip code that assumes the presence of these devices and their associated resources. These flags are used independently of the ACPI namespace. The presence of other devices must be described in the ACPI namespace as specified in section 6, “Configuration.” These flags pertain only to IA-PC platforms. On other system architectures, the entire field should be set to 0.

**Table 5-11 Fixed ACPI Description Table Boot Architecture Flags**

<b>BOOT_ARCH</b>	<b>Bit length</b>	<b>Bit offset</b>	<b>Description</b>
LEGACY_DEVICES	1	0	If set, indicates that the motherboard supports user-visible devices on the LPC or ISA bus. User-visible devices are devices that have end-user accessible connectors (for example, LPT port), or devices for which the OS must load a device driver so that an end-user application can use a device. If clear, the OS may assume there are no such devices and that all devices in the system can be detected exclusively via industry standard device enumeration mechanisms (including the ACPI namespace).
8042	1	1	If set, indicates that the motherboard contains support for a port 60 and 64 based keyboard controller, usually implemented as an 8042 or equivalent micro-controller.
VGA Not Present	1	2	If set, indicates to OSPM that it must not blindly probe the VGA hardware (that responds to MMIO addresses A0000h-BFFFFh and IO ports 3B0h-3BBh and 3C0h-3DFh) that may cause machine check on this system. If clear, indicates to OSPM that it is safe to probe the VGA hardware.
MSI Not Supported	1	3	If set, indicates to OSPM that it must not enable Message Signaled Interrupts (MSI) on this platform.
PCIe ASPM Controls	1	4	If set, indicates to OSPM that it must not enable OSPM ASPM control on this platform.
<i>Reserved</i>	11	5	Must be 0.

### 5.2.10 Firmware ACPI Control Structure (FACS)

The Firmware ACPI Control Structure (FACS) is a structure in read/write memory that the BIOS reserves for ACPI usage. This structure is passed to an ACPI-compatible OS using the FADT. For more information about the FADT FIRMWARE\_CTRL field, see section 5.2.9, “Fixed ACPI Description Table (FADT).”



The BIOS aligns the FACS on a 64-byte boundary anywhere within the system's memory address space. The memory where the FACS structure resides must not be reported as system AddressRangeMemory in the system address map. For example, the E820 address map reporting interface would report the region as AddressRangeReserved. For more information about system address map reporting interfaces, see section 14, "System Address Map Interfaces."

**Table 5-12 Firmware ACPI Control Structure (FACS)**

Field	Byte Length	Byte Offset	Description
Signature	4	0	'FACS'
Length	4	4	Length, in bytes, of the entire Firmware ACPI Control Structure. This value is 64 bytes or larger.
Hardware Signature	4	8	The value of the system's "hardware signature" at last boot. This value is calculated by the BIOS on a best effort basis to indicate the base hardware configuration of the system such that different base hardware configurations can have different hardware signature values. OSPM uses this information in waking from an S4 state, by comparing the current hardware signature to the signature values saved in the non-volatile sleep image. If the values are not the same, OSPM assumes that the saved non-volatile image is from a different hardware configuration and cannot be restored.
Firmware Waking Vector	4	12	<p>This field is superseded by the X_Firmware_Waking_Vector field.</p> <p>The 32-bit address field where OSPM puts its waking vector. Before transitioning the system into a global sleeping state, OSPM fills in this field with the physical memory address of an OS-specific wake function. During POST, the platform firmware first checks if the value of the X_Firmware_Waking_Vector field is non-zero and if so transfers control to OSPM as outlined in the X_Firmware_Waking_vector field description below. If the X_Firmware_Waking_Vector field is zero then the platform firmware checks the value of this field and if it is non-zero, transfers control to the specified address.</p> <p>On PCs, the wake function address is in memory below 1 MB and the control is transferred while in real mode. OSPM's wake function restores the processors' context.</p> <p>For IA-PC platforms, the following example shows the relationship between the physical address in the Firmware Waking Vector and the real mode address the BIOS jumps to. If, for example, the physical address is 0x12345, then the BIOS must jump to real mode address 0x1234:0x0005. In general this relationship is</p> $\text{Real-mode address} = \text{Physical address} \gg 4 : \text{Physical address and } 0x000F$ <p>Notice that on IA-PC platforms, A20 must be enabled when the BIOS jumps to the real mode address derived from the physical address stored in the Firmware Waking Vector.</p>

**Table 5-12 Firmware ACPI Control Structure (FACS) (continued)**

Field	Byte Length	Byte Offset	Description
Global Lock	4	16	This field contains the Global Lock used to synchronize access to shared hardware resources between the OSPM environment and an external controller environment (for example, the SMI environment). This lock is owned exclusively by either OSPM or the firmware at any one time. When ownership of the lock is attempted, it might be busy, in which case the requesting environment exits and waits for the signal that the lock has been released. For example, the Global Lock can be used to protect an embedded controller interface such that only OSPM or the firmware will access the embedded controller interface at any one time. See section 5.2.10.1, “Global Lock,” for more information on acquiring and releasing the Global Lock.
Flags	4	20	Firmware control structure flags. See Table 5-13 for a description of this field.

Field	Byte Length	Byte Offset	Description
X Firmware Waking Vector	8	24	<p>64-bit physical address of OSPM's Waking Vector.</p> <p>Before transitioning the system into a global sleeping state, OSPM fills in this field and the OSPM Flags field to describe the waking vector. OSPM populates this field with the physical memory address of an OS-specific wake function. During POST, the platform firmware checks if the value of this field is non-zero and if so transfers control to OSPM by jumping to this address after creating the appropriate execution environment, which must be configured as follows:</p> <p>For 64-bit Itanium™ Processor Family (IPF) -based platforms:</p> <ul style="list-style-type: none"> <li>• Interrupts must be disabled <ul style="list-style-type: none"> <li>○ The processor must have psr.i set to 0. See the <i>Intel® Itanium™ Architecture Software Developer's Manual</i> for more information.</li> </ul> </li> <li>• Memory address translation must be disabled <ul style="list-style-type: none"> <li>○ The processor must have psr.it, psr.dt, and psr.rt set to 0. See the <i>Intel® Itanium™ Architecture Software Developer's Manual</i> for more information.</li> </ul> </li> </ul> <p>For IA 32 and x64 platforms, platform firmware is required to support a 32 bit execution environment. Platform firmware can additionally support a 64 bit execution environment. If platform firmware supports a 64 bit execution environment, firmware inspects the OSPM Flags during POST. If the 64BIT_WAKE_F flag is set, the platform firmware creates a 64 bit execution environment. Otherwise, the platform firmware creates a 32 bit execution environment.</p> <p>For 64 bit execution environment:</p> <ul style="list-style-type: none"> <li>• Interrupts must be disabled <ul style="list-style-type: none"> <li>○ EFLAGS.IF set to 0</li> </ul> </li> <li>• Long mode enabled</li> <li>• Paging mode is enabled and physical memory for waking vector is identity mapped (virtual address equals physical address) <ul style="list-style-type: none"> <li>○ Waking vector must be contained within one physical page</li> </ul> </li> <li>• Selectors are set to be flat and are otherwise not used</li> </ul> <p>For 32 bit execution environment:</p> <ul style="list-style-type: none"> <li>• Interrupts must be disabled <ul style="list-style-type: none"> <li>○ EFLAGS.IF set to 0</li> </ul> </li> <li>• Memory address translation / paging must be disabled</li> <li>• 4 GB flat address space for all segment registers</li> </ul>
Version	1	32	2--Version of this table

Field	Byte Length	Byte Offset	Description
<i>Reserved</i>	3	33	This value is zero.
OSPM Flags	4	36	OSPM enabled firmware control structure flags. Platform firmware must initialize this field to zero. See Table 5-14 for a description of the OSPM control structure feature flags.
<i>Reserved</i>	24	40	This value is zero.

Table 5-13 Firmware Control Structure Feature Flags

FACS – Flag	Bit Length	Bit Offset	Description
S4BIOS_F	1	0	Indicates whether the platform supports S4BIOS_REQ. If S4BIOS_REQ is not supported, OSPM must be able to save and restore the memory state in order to use the S4 state.
64BIT_WAKE_SUPPORTED_F	1	1	Indicates that the platform firmware supports a 64 bit execution environment for the waking vector. When set and the OSPM additionally set 64BIT_WAKE_F, the platform firmware will create a 64 bit execution environment before transferring control to the X_Firmware_Waking_Vector.
<i>Reserved</i>	30	2	The value is zero.

Table 5-14 OSPM Enabled Firmware Control Structure Feature Flags

FACS – Flag	Bit Length	Bit Offset	Description
64BIT_WAKE_F	1	0	OSPM sets this bit to indicate to platform firmware that the X_Firmware_Waking_Vector requires a 64 bit execution environment.  This flag can only be set if platform firmware sets 64BIT_WAKE_SUPPORTED_F in the FACS flags field.  This bit field has no affect on Itanium™ Processor Family (IPF) -based platforms, which require a 64 bit execution environment.
<i>Reserved</i>	31	1	The value is zero.

### 5.2.10.1 Global Lock

The purpose of the ACPI Global Lock is to provide mutual exclusion between the host OS and the ROM BIOS. The Global Lock is a 32-bit (DWORD) value in read/write memory located within the FACS and is accessed and updated by both the OS environment and the SMI environment in a defined manner to provide an exclusive lock. Note: this is not a *pointer* to the Global Lock, it is the *actual* memory location of the lock. The FACS and Global Lock may be located anywhere in physical memory.

By convention, this lock is used to ensure that while one environment is accessing some hardware, the other environment is not. By this convention, when ownership of the lock fails because the other environment owns it, the requesting environment sets a “pending” state within the lock, exits its attempt to acquire the lock, and waits for the owning environment to signal that the lock has been released before attempting to acquire the lock again. When releasing the lock, if the pending bit in the lock is set after the lock is released, a signal is sent via an interrupt mechanism to the other environment to inform it that the lock has been released. During interrupt handling for the “lock released” event within the corresponding environment, if the lock ownership were still desired an attempt to acquire the lock would be made. If ownership is not acquired, then the environment must again set “pending” and wait for another “lock release” signal.

The table below shows the encoding of the Global Lock DWORD in memory.

**Table 5-15 Global Lock Structure within the FACS**

Field	Bit Length	Bit Offset	Description
Pending	1	0	Non-zero indicates that a request for ownership of the Global Lock is pending.
Owned	1	1	Non-zero indicates that the Global Lock is Owned.
<i>Reserved</i>	30	2	Reserved for future use.

The following code sequence is used by both OSPM and the firmware to acquire ownership of the Global Lock. If non-zero is returned by the function, the caller has been granted ownership of the Global Lock and can proceed. If zero is returned by the function, the caller has not been granted ownership of the Global Lock, the “pending” bit has been set, and the caller must wait until it is signaled by an interrupt event that the lock is available before attempting to acquire access again.

Note: In the examples that follow, the “GlobalLock” variable is a pointer that has been previously initialized to point to the 32-bit Global Lock location within the FACS.

```

AcquireGlobalLock:
    mov     ecx, GlobalLock           ; ecx = Address of Global Lock in FACS
acq10:    mov     eax, [ecx]              ; Get current value of Global Lock

    mov     edx, eax
    and     edx, not 1                ; Clear pending bit
    bts     edx, 1                    ; Check and set owner bit
    adc     edx, 0                    ; If owned, set pending bit

    lock cmpxchg dword ptr[ecx], edx ; Attempt to set new value
    jnz short acq10                  ; If not set, try again

    cmp     dl, 3                     ; Was it acquired or marked pending?
    sbb     eax, eax                  ; acquired = -1, pending = 0
    ret

```

The following code sequence is used by OSPM and the firmware to release ownership of the Global Lock. If non-zero is returned, the caller must raise the appropriate event to the other environment to signal that the Global Lock is now free. Depending on the environment, this signaling is done by setting the either the GBL\_RLS or BIOS\_RLS within their respective hardware register spaces. This signal only occurs when the other environment attempted to acquire ownership while the lock was owned.

```
ReleaseGlobalLock:
    mov     ecx, GlobalLock           ; ecx = Address of Global Lock in FACS
re110:    mov     eax, [ecx]              ; Get current value of Global Lock

    mov     edx, eax
    and     edx, not 03h             ; Clear owner and pending field

    lock cmpxchg dword ptr[ecx], edx ; Attempt to set it
    jnz     short re110              ; If not set, try again

    and     eax, 1                   ; Was pending set?

    ; If one is returned (we were pending) the caller must signal that the
    ; lock has been released using either GBL_RLS or BIOS_RLS as appropriate

    ret
```

Although using the Global Lock allows various hardware resources to be shared, it is important to notice that its usage when there is ownership contention could entail a significant amount of system overhead as well as waits of an indeterminate amount of time to acquire ownership of the Global Lock. For this reason, implementations should try to design the hardware to keep the required usage of the Global Lock to a minimum.

The Global Lock is required whenever a logical register in the hardware is shared. For example, if bit 0 is used by ACPI (OSPM) and bit 1 of the same register is used by SMI, then access to that register needs to be protected under the Global Lock, ensuring that the register's contents do not change from underneath one environment while the other is making changes to it. Similarly if the entire register is shared, as the case might be for the embedded controller interface, access to the register needs to be protected under the Global Lock.

### 5.2.11 Definition Blocks

A Definition Block consists of data in AML format (see section 5.4 “Definition Block Encoding”) and contains information about hardware implementation details in the form of AML objects that contain data, AML code, or other AML objects. The top-level organization of this information after a definition block is loaded is name-tagged in a hierarchical namespace.

OSPM “loads” or “unloads” an entire definition block as a logical unit. OSPM will load a definition block either as a result of executing the AML **Load()** or **LoadTable()** operator or encountering a table definition during initialization. During initialization, OSPM loads the Differentiated System Description Table (DSDT), which contains the Differentiated Definition Block, using the DSDT pointer retrieved from the FADT. OSPM will load other definition blocks during initialization as a result of encountering Secondary System Description Table (SSDT) definitions in the RSDT/XSDT. The DSDT and SSDT are described in the following sections.

As mentioned, the AML **Load()** and **LoadTable()** operators make it possible for a Definition Block to load other Definition Blocks, either statically or dynamically, where they in turn can either define new system attributes or, in some cases, build on prior definitions. Although this gives the hardware the ability to vary widely in implementation, it also confines it to reasonable boundaries. In some cases, the Definition Block format can describe only specific and well-understood variances. In other cases, it permits implementations to be expressible only by means of a specified set of “built in” operators. For example, the Definition Block has built in operators for I/O space.

In theory, it might be possible to define something like PCI configuration space in a Definition Block by building it from I/O space, but that is not the goal of the definition block. Such a space is usually defined as a “built in” operator.

Some AML operators perform simple functions, and others encompass complex functions. The power of the Definition block comes from its ability to allow these operations to be glued together in numerous ways, to provide functionality to OSPM.

The AML operators defined in this specification are intended to allow many useful hardware designs to be easily expressed, not to allow all hardware designs to be expressed.

Note: To accommodate addressing beyond 32 bits, the integer type was expanded to 64 bits in ACPI 2.0, see section 18.2.5, “ASL Data Types”. Existing ACPI definition block implementations may contain an inherent assumption of a 32-bit integer width. Therefore, to maintain backwards compatibility, OSPM uses the Revision field, in the header portion of system description tables containing Definition Blocks, to determine whether integers declared within the Definition Block are to be evaluated as 32-bit or 64-bit values. A Revision field value greater than or equal to 2 signifies that integers declared within the Definition Block are to be evaluated as 64-bit values. The ASL writer specifies the value for the Definition Block table header’s Revision field via the ASL Definition Block’s *ComplianceRevision* field. See section 18.5.26, “DefinitionBlock (Declare Definition Block)”, for more information. It is the responsibility of the ASL writer to ensure the Definition Block’s compatibility with the corresponding integer width when setting the *ComplianceRevision* field.

### 5.2.11.1 Differentiated System Description Table (DSDT)

The Differentiated System Description Table (DSDT) is part of the system fixed description. The DSDT is comprised of a system description table header followed by data in Definition Block format. This Definition Block is like all other Definition Blocks, with the exception that it cannot be unloaded. See section 5.2.11, “Definition Blocks,” for a description of Definition Blocks. During initialization, OSPM finds the pointer to the DSDT in the Fixed ACPI Description Table (using the FADT’s DSDT or X\_DSDT fields) and then loads the DSDT to create the ACPI Namespace.

**Table 5-16 Differentiated System Description Table Fields (DSDT)**

Field	Byte Length	Byte Offset	Description
Header			
Signature	4	0	‘DSDT’ Signature for the Differentiated System Description Table.
Length	4	4	Length, in bytes, of the entire DSDT (including the header).
Revision	1	8	2. This field also sets the global integer width for the AML interpreter. Values less than two will cause the interpreter to use 32-bit integers and math. Values of two and greater will cause the interpreter to use full 64-bit integers and math.
Checksum	1	9	Entire table must sum to zero.
OEMID	6	10	OEM ID
OEM Table ID	8	16	The manufacture model ID.
OEM Revision	4	24	OEM revision of DSDT for supplied OEM Table ID.
Creator ID	4	28	Vendor ID for the ASL Compiler.
Creator Revision	4	32	Revision number of the ASL Compiler.
Definition Block	<i>n</i>	36	<i>n</i> bytes of AML code (see section 5.4, “Definition Block Encoding”)

### 5.2.11.2 Secondary System Description Table (SSDT)

Secondary System Description Tables (SSDT) are a continuation of the DSDT. The SSDT is comprised of a system description table header followed by data in Definition Block format. There can be multiple SSDTs present. After OSPM loads the DSDT to create the ACPI Namespace, each secondary system description table listed in the RSDT/XSDT with a unique OEM Table ID is loaded. **Note:** Additional tables can only add data; they cannot overwrite data from previous tables.

This allows the OEM to provide the base support in one table and add smaller system options in other tables. For example, the OEM might put dynamic object definitions into a secondary table such that the firmware can construct the dynamic information at boot without needing to edit the static DSDT. A SSDT can only rely on the DSDT being loaded prior to it.

**Table 5-17 Secondary System Description Table Fields (SSDT)**

Field	Byte Length	Byte Offset	Description
Header			
Signature	4	0	'SSDT' Signature for the Secondary System Description Table.
Length	4	4	Length, in bytes, of the entire SSDT (including the header).
Revision	1	8	2
Checksum	1	9	Entire table must sum to zero.
OEMID	6	10	OEM ID
OEM Table ID	8	16	The manufacture model ID.
OEM Revision	4	24	OEM revision of DSDT for supplied OEM Table ID.
Creator ID	4	28	Vendor ID for the ASL Compiler.
Creator Revision	4	32	Revision number of the ASL Compiler.
Definition Block	<i>n</i>	36	<i>n</i> bytes of AML code (see section 5.4 , "Definition Block Encoding")

### 5.2.11.3 Persistent System Description Table (PSDT)

The table signature, "PSDT" refers to the Persistent System Description Table (PSDT) defined in the ACPI 1.0 specification. The PSDT was judged to provide no specific benefit and as such has been deleted from follow-on versions of the ACPI specification. OSPM will evaluate a table with the "PSDT" signature in like manner to the evaluation of an SSDT as described in section 5.2.11.2, "Secondary System Description Table."

### 5.2.12 Multiple APIC Description Table (MADT)

The ACPI interrupt model describes all interrupts for the entire system in a uniform interrupt model implementation. Supported interrupt models include the PC-AT-compatible dual 8259 interrupt controller and, for Intel processor-based systems, the Intel Advanced Programmable Interrupt Controller (APIC) and Intel Streamlined Advanced Programmable Interrupt Controller (SAPIC). The choice of the interrupt model(s) to support is up to the platform designer. The interrupt model cannot be dynamically changed by the system firmware; OSPM will choose which model to use and install support for that model at the time of installation. If a platform supports both models, an OS will install support for one model or the other; it will not mix models. Multi-boot capability is a feature in many modern operating systems. This means that a system may have multiple operating systems or multiple instances of an OS installed at any one time. Platform designers must allow for this.



This section describes the format of the Multiple APIC Description Table (MADT), which provides OSPM with information necessary for operation on systems with APIC or SAPIC implementations.

ACPI represents all interrupts as “flat” values known as global system interrupts. Therefore to support APICs or SAPICs on an ACPI-enabled system, each used APIC or SAPIC interrupt input must be mapped to the global system interrupt value used by ACPI. See Section 5.2.13. Global System Interrupts,” for a description of Global System Interrupts.

Additional support is required to handle various multi-processor functions that APIC or SAPIC implementations might support (for example, identifying each processor’s local APIC ID).

All addresses in the MADT are processor-relative physical addresses.

**Table 5-18 Multiple APIC Description Table (MADT) Format**

Field	Byte Length	Byte Offset	Description
Header			
Signature	4	0	‘APIC’ Signature for the Multiple APIC Description Table.
Length	4	4	Length, in bytes, of the entire MADT.
Revision	1	8	3
Checksum	1	9	Entire table must sum to zero.
OEMID	6	10	OEM ID
OEM Table ID	8	16	For the MADT, the table ID is the manufacturer model ID.
OEM Revision	4	24	OEM revision of MADT for supplied OEM Table ID.
Creator ID	4	28	Vendor ID of utility that created the table. For tables containing Definition Blocks, this is the ID for the ASL Compiler.
Creator Revision	4	32	Revision of utility that created the table. For tables containing Definition Blocks, this is the revision for the ASL Compiler.
Local APIC Address	4	36	The 32-bit physical address at which each processor can access its local APIC.
Flags	4	40	Multiple APIC flags. See Table 5-19 for a description of this field.
APIC Structure[n]	—	44	A list of APIC structures for this implementation. This list will contain all of the I/O APIC, I/O SAPIC, Local APIC, Local SAPIC, Interrupt Source Override, Non-maskable Interrupt Source, Local APIC NMI Source, Local APIC Address Override, Platform Interrupt Sources, Local x2APIC, and Local x2APIC NMI structures needed to support this platform. These structures are described in the following sections.

**Table 5-19 Multiple APIC Flags**

Multiple APIC Flags	Bit Length	Bit Offset	Description
PCAT_COMPAT	1	0	A one indicates that the system also has a PC-AT-compatible dual-8259 setup. The 8259 vectors must be disabled (that is, masked) when enabling the ACPI APIC operation.
<i>Reserved</i>	31	1	This value is zero.

Immediately after the Flags value in the MADT is a list of APIC structures that declare the APIC features of the machine. The first byte of each structure declares the type of that structure and the second byte declares the length of that structure.

**Table 5-20 APIC Structure Types**

Value	Description
0	Processor Local APIC
1	I/O APIC
2	Interrupt Source Override
3	Non-maskable Interrupt Source (NMI)
4	Local APIC NMI
5	Local APIC Address Override
6	I/O SAPIC
7	Local SAPIC
8	Platform Interrupt Sources
9	Processor Local x2APIC
0xA	Local x2APIC NMI
0xB-0x7F	Reserved. OSPM skips structures of the reserved type.
0x80-0xFF	Reserved for OEM use

### 5.2.12.1 MADT Processor Local APIC / SAPIC Structure Entry Order

OSPM implementations may limit the number of supported processors on multi-processor platforms. OSPM executes on the boot processor to initialize the platform including other processors. To ensure that the boot processor is supported post initialization, two guidelines should be followed. The first is that OSPM should initialize processors in the order that they appear in the MADT. The second is that platform firmware should list the boot processor as the first processor entry in the MADT.

The advent of multi-threaded processors yielded multiple logical processors executing on common processor hardware. ACPI defines logical processors in an identical manner as physical processors. To ensure that non multi-threading aware OSPM implementations realize optimal performance on platforms containing multi-threaded processors, two guidelines should be followed. The first is the same as above, that is, OSPM should initialize processors in the order that they appear in the MADT. The second is that platform firmware should list the first logical processor of each of the individual multi-threaded processors in the MADT before listing any of the second logical processors. This approach should be used for all successive logical processors.

Failure of OSPM implementations and platform firmware to abide by these guidelines can result in both unpredictable and non optimal platform operation.

### 5.2.12.2 Processor Local APIC Structure

When using the APIC interrupt model, each processor in the system is required to have a Processor Local APIC record and an ACPI Processor object. OSPM does not expect the information provided in this table to be updated if the processor information changes during the lifespan of an OS boot. While in the sleeping state, processors are not allowed to be added, removed, nor can their APIC ID or Flags change. When a processor is not present, the Processor Local APIC information is either not reported or flagged as disabled.

**Table 5-21 Processor Local APIC Structure**

Field	Byte Length	Byte Offset	Description
Type	1	0	0 Processor Local APIC structure
Length	1	1	8
ACPI Processor ID	1	2	The ProcessorId for which this processor is listed in the ACPI Processor declaration operator. For a definition of the Processor operator, see section 18.5.93, "Processor (Declare Processor)."
APIC ID	1	3	The processor's local APIC ID.
Flags	4	4	Local APIC flags. See Table 5-22 for a description of this field.

**Table 5-22 Local APIC Flags**

LocalAPIC Flags	Bit Length	Bit Offset	Description
Enabled	1	0	If zero, this processor is unusable, and the operating system support will not attempt to use it.
<i>Reserved</i>	31	1	Must be zero.

### 5.2.12.3 I/O APIC Structure

In an APIC implementation, there are one or more I/O APICs. Each I/O APIC has a series of interrupt inputs, referred to as INTIn, where the value of *n* is from 0 to the number of the last interrupt input on the I/O APIC. The I/O APIC structure declares which global system interrupts are uniquely associated with the I/O APIC interrupt inputs. There is one I/O APIC structure for each I/O APIC in the system. For more information on global system interrupts see Section 5.2.13, "Global System Interrupts."

**Table 5-23 I/O APIC Structure**

Field	Byte Length	Byte Offset	Description
Type	1	0	1 I/O APIC structure
Length	1	1	12
I/O APIC ID	1	2	The I/O APIC's ID.
<i>Reserved</i>	1	3	0
I/O APIC Address	4	4	The 32-bit physical address to access this I/O APIC. Each I/O APIC resides at a unique address.
Global System Interrupt Base	4	8	The global system interrupt number where this I/O APIC's interrupt inputs start. The number of interrupt inputs is determined by the I/O APIC's <i>Max Redir Entry</i> register.

#### 5.2.12.4 Platforms with APIC and Dual 8259 Support

Systems that support both APIC and dual 8259 interrupt models must map global system interrupts 0-15 to the 8259 IRQs 0-15, except where Interrupt Source Overrides are provided (see section 5.2.12.5, "Interrupt Source Override Structure" below). This means that I/O APIC interrupt inputs 0-15 must be mapped to global system interrupts 0-15 and have identical sources as the 8259 IRQs 0-15 unless overrides are used. This allows a platform to support OSPM implementations that use the APIC model as well as OSPM implementations that use the 8259 model (OSPM will only use one model; it will not mix models).

When OSPM supports the 8259 model, it will assume that all interrupt descriptors reporting global system interrupts 0-15 correspond to 8259 IRQs. In the 8259 model all global system interrupts greater than 15 are ignored. If OSPM implements APIC support, it will enable the APIC as described by the APIC specification and will use all reported global system interrupts that fall within the limits of the interrupt inputs defined by the I/O APIC structures. For more information on hardware resource configuration see section 6, "Configuration."

#### 5.2.12.5 Interrupt Source Override Structure

Interrupt Source Overrides are necessary to describe variances between the IA-PC standard dual 8259 interrupt definition and the platform's implementation.

It is assumed that the ISA interrupts will be identity-mapped into the first I/O APIC sources. Most existing APIC designs, however, will contain at least one exception to this assumption. The Interrupt Source Override Structure is provided in order to describe these exceptions. It is not necessary to provide an Interrupt Source Override for every ISA interrupt. Only those that are not identity-mapped onto the APIC interrupt inputs need be described.

**Note:** This specification only supports overriding ISA interrupt sources.

For example, if your machine has the ISA Programmable Interrupt Timer (PIT) connected to ISA IRQ 0, but in APIC mode, it is connected to I/O APIC interrupt input 2, then you would need an Interrupt Source Override where the source entry is '0' and the Global System Interrupt is '2.'

**Table 5-24 Interrupt Source Override Structure**

Field	Byte Length	Byte Offset	Description
Type	1	0	2 Interrupt Source Override
Length	1	1	10

Field	Byte Length	Byte Offset	Description
Bus	1	2	0 Constant, meaning ISA
Source	1	3	Bus-relative interrupt source (IRQ)
Global System Interrupt	4	4	The Global System Interrupt that this bus-relative interrupt source will signal.
Flags	2	8	MPS INTI flags. See Table 5-25 for a description of this field.

The MPS INTI flags listed in Table 5-25 are identical to the flags used in Table 4-10 of the MPS version 1.4 specifications. The Polarity flags are the PO bits and the Trigger Mode flags are the EL bits.

**Table 5-25 MPS INTI Flags**

Local APIC - Flags	Bit Length	Bit Offset	Description
Polarity	2	0	Polarity of the APIC I/O input signals: 00 Conforms to the specifications of the bus (For example, EISA is active-low for level-triggered interrupts) 01 Active high 10 Reserved 11 Active low
Trigger Mode	2	2	Trigger mode of the APIC I/O Input signals: 00 Conforms to specifications of the bus (For example, ISA is edge-triggered) 01 Edge-triggered 10 Reserved 11 Level-triggered
<i>Reserved</i>	12	4	Must be zero.

Interrupt Source Overrides are also necessary when an identity mapped interrupt input has a non-standard polarity.

**Note:** You must have an interrupt source override entry for the IRQ mapped to the SCI interrupt if this IRQ is not identity mapped. This entry will override the value in SCI\_INT in FADT. For example, if SCI is connected to IRQ 9 in PIC mode and IRQ 9 is connected to INTIN11 in APIC mode, you should have 9 in SCI\_INT in the FADT and an interrupt source override entry mapping IRQ 9 to INTIN11.

### 5.2.12.6 Non-Maskable Interrupt Source Structure

This structure allows a platform designer to specify which I/O (S)APIC interrupt inputs should be enabled as non-maskable. Any source that is non-maskable will not be available for use by devices.

**Table 5-26 Non-maskable Source Structure**

Field	Byte Length	Byte Offset	Description
Type	1	0	3 NMI
Length	1	1	8

Field	Byte Length	Byte Offset	Description
Flags	2	2	Same as MPS INTI flags
Global System Interrupt	4	4	The Global System Interrupt that this NMI will signal.

### 5.2.12.7 Local APIC NMI Structure

This structure describes the Local APIC interrupt input (LINT<sub>n</sub>) that NMI is connected to for each of the processors in the system where such a connection exists. This information is needed by OSPM to enable the appropriate local APIC entry.

Each Local APIC NMI connection requires a separate Local APIC NMI structure. For example, if the platform has 4 processors with ID 0-3 and NMI is connected LINT1 for processor 3 and 2, two Local APIC NMI entries would be needed in the MADT.

**Table 5-27 Local APIC NMI Structure**

Field	Byte Length	Byte Offset	Description
Type	1	0	4 Local APIC NMI Structure
Length	1	1	6
ACPI Processor ID	1	2	Processor ID corresponding to the ID listed in the processor object. A value of 0xFF signifies that this applies to all processors in the machine.
Flags	2	3	MPS INTI flags. See Table 5-25 for a description of this field.
Local APIC LINT#	1	5	Local APIC interrupt input LINT <sub>n</sub> to which NMI is connected.

### 5.2.12.8 Local APIC Address Override Structure

This optional structure supports 64-bit systems by providing an override of the physical address of the local APIC in the MADT's table header, which is defined as a 32-bit field.

If defined, OSPM must use the address specified in this structure for all local APICs (and local SAPICs), rather than the address contained in the MADT's table header. Only one Local APIC Address Override Structure may be defined.

**Table 5-28 Local APIC Address Override Structure**

Field	Byte Length	Byte Offset	Description
Type	1	0	5 Local APIC Address Override Structure
Length	1	1	12
<i>Reserved</i>	2	2	Reserved (must be set to zero)
Local APIC Address	8	4	Physical address of Local APIC. For Itanium™ Processor Family (IPF)-based platforms, this field contains the starting address of the Processor Interrupt Block. See the <i>Intel® Itanium™ Architecture Software Developer's Manual</i> for more information.

### 5.2.12.9 I/O SAPIC Structure

The I/O SAPIC structure is very similar to the I/O APIC structure. If both I/O APIC and I/O SAPIC structures exist for a specific APIC ID, the information in the I/O SAPIC structure must be used.

The I/O SAPIC structure uses the I/O\_APIC\_ID field as defined in the I/O APIC table. The Vector\_Base field remains unchanged but has been moved. The I/O APIC address has been deleted. A new address and reserved field have been added.

**Table 5-29 I/O SAPIC Structure**

Field	Byte Length	Byte Offset	Description
Type	1	0	6 I/O SAPIC Structure
Length	1	1	16
I/O APIC ID	1	2	I/O SAPIC ID
<i>Reserved</i>	1	3	Reserved (must be zero)
Global System Interrupt Base	4	4	The global system interrupt number where this I/O SAPIC's interrupt inputs start. The number of interrupt inputs is determined by the I/O SAPIC's <i>Max Redir Entry</i> register.
I/O SAPIC Address	8	8	The 64-bit physical address to access this I/O SAPIC. Each I/O SAPIC resides at a unique address.

If defined, OSPM must use the information contained in the I/O SAPIC structure instead of the information from the I/O APIC structure.

If both I/O APIC and an I/O SAPIC structures exist in an MADT, the OEM/BIOS writer must prevent "mixing" I/O APIC and I/O SAPIC addresses. This is done by ensuring that there are at least as many I/O SAPIC structures as I/O APIC structures and that every I/O APIC structure has a corresponding I/O SAPIC structure (same APIC ID).

### 5.2.12.10 Local SAPIC Structure

The Processor local SAPIC structure is very similar to the processor local APIC structure. When using the SAPIC interrupt model, each processor in the system is required to have a Processor Local SAPIC record and an ACPI Processor object. OSPM does not expect the information provided in this table to be updated if the processor information changes during the lifespan of an OS boot. While in the sleeping state, processors are not allowed to be added, removed, nor can their SAPIC ID or Flags change. When a processor is not present, the Processor Local SAPIC information is either not reported or flagged as disabled.

**Table 5-30 Processor Local SAPIC Structure**

Field	Byte Length	Byte Offset	Description
Type	1	0	7 Processor Local SAPIC structure
Length	1	1	Length of the Local SAPIC Structure in bytes.
ACPI Processor ID	1	2	OSPM associates the Local SAPIC Structure with a processor object declared in the namespace using the <b>Processor</b> statement by matching the processor object's ProcessorID value with this field. For a definition of the Processor object, see section 18.5.93, "Processor (Declare Processor)."

Field	Byte Length	Byte Offset	Description
Local SAPIC ID	1	3	The processor's local SAPIC ID
Local SAPIC EID	1	4	The processor's local SAPIC EID
<i>Reserved</i>	3	5	Reserved (must be set to zero)
Flags	4	8	Local SAPIC flags. See Table 5-22 for a description of this field.
ACPI Processor UID Value	4	12	OSPM associates the Local SAPIC Structure with a processor object declared in the namespace using the <b>Device</b> statement, when the <code>_UID</code> child object of the processor device evaluates to a numeric value, by matching the numeric value with this field.
ACPI Processor UID String	$\geq 1$	16	OSPM associates the Local SAPIC Structure with a processor object declared in the namespace using the <b>Device</b> statement, when the <code>_UID</code> child object of the processor device evaluates to a string, by matching the string with this field. This value is stored as a null-terminated ASCII string.

### 5.2.12.11 Platform Interrupt Source Structure

The Platform Interrupt Source structure is used to communicate which I/O SAPIC interrupt inputs are connected to the platform interrupt sources.

Platform Management Interrupts (PMIs) are used to invoke platform firmware to handle various events (similar to SMI in IA-32). The Intel® Itanium™ architecture permits the I/O SAPIC to send a vector value in the interrupt message of the PMI type. This value is specified in the I/O SAPIC Vector field of the Platform Interrupt Sources Structure.

INIT messages cause processors to soft reset.

If a platform can generate an interrupt after correcting platform errors (e.g., single bit error correction), the interrupt input line used to signal such corrected errors is specified by the Global System Interrupt field in the following table. Some systems may restrict the retrieval of corrected platform error information to a specific processor. In such cases, the firmware indicates the processor that can retrieve the corrected platform error information through the Processor ID and EID fields in the structure below. OSPM is required to program the I/O SAPIC redirection table entries with the Processor ID, EID values specified by the ACPI system firmware. On platforms where the retrieval of corrected platform error information can be performed on any processor, the firmware indicates this capability by setting the CPEI Processor Override flag in the Platform Interrupt Source Flags field of the structure below. If the CPEI Processor Override Flag is set, OSPM uses the processor specified by Processor ID, and EID fields of the structure below only as a target processor hint and the error retrieval can be performed on any processor in the system. However, firmware is required to specify valid values in Processor ID, EID fields to ensure backward compatibility.

If the CPEI Processor Override flag is clear, OSPM may reject a ejection request for the processor that is targeted for the corrected platform error interrupt. If the CPEI Processor Override flag is set, OSPM can retarget the corrected platform error interrupt to a different processor when the target processor is ejected.

Note that the `_MAT` object can return a buffer containing Platform Interrupt Source Structure entries. It is allowed for such an entry to refer to a Global System Interrupt that is already specified by a Platform Interrupt Source Structure provided through the static MADT table, provided the value of platform interrupt source flags are identical.

Refer to the Itanium™ Processor Family System Abstraction Layer (SAL) Specification for details on handling the Corrected Platform Error Interrupt.



**Table 5-31 Platform Interrupt Sources Structure**

Field	Byte Length	Byte Offset	Description
Type	1	0	8 Platform Interrupt Source structure
Length	1	1	16
Flags	2	2	MPS INTI flags. See Table 5-25 for a description of this field.
Interrupt Type	1	4	1 PMI 2 INIT 3 Corrected Platform Error Interrupt All other values are reserved.
Processor ID	1	5	Processor ID of destination.
Processor EID	1	6	Processor EID of destination.
I/O SAPIC Vector	1	7	Value that OSPM must use to program the vector field of the I/O SAPIC redirection table entry for entries with the PMI interrupt type.
Global System Interrupt	4	8	The Global System Interrupt that this platform interrupt will signal.
Platform Interrupt Source Flags	4	12	Platform Interrupt Source Flags. See Table 5-32 for a description of this field

**Table 5-32 Platform Interrupt Source Flags**

Platform Interrupt Source Flags	Bit Length	Bit Offset	Description
CPEI Processor Override	1	0	When set, indicates that retrieval of error information is allowed from any processor and OSPM is to use the information provided by the processor ID, EID fields of the Platform Interrupt Source Structure (Table 5-30) as a target processor hint.
<i>Reserved</i>	31	1	Must be zero.

### 5.2.12.12 Processor Local x2APIC Structure

The Processor X2APIC structure is very similar to the processor local APIC structure. When using the X2APIC interrupt model, logical processors with APIC ID values of 255 and greater are required to have a Processor Device object and must convey the processor's APIC information to OSPM using the Processor Local X2APIC structure. Logical processors with APIC ID values less than 255 must use the Processor Local APIC structure to convey their APIC information to OSPM. OSPM does not expect the information provided in this table to be updated if the processor information changes during the lifespan of an OS boot. While in the sleeping state, logical processors must not be added or removed, nor can their X2APIC ID or x2APIC Flags change. When a logical processor is not present, the processor local X2APIC information is either not reported or flagged as disabled.

The format of x2APIC structure is listed in Table 5-33.

**Table 5-33 Processor Local x2APIC Structure**

Field	Byte Length	Byte Offset	Description
Type	1	0	9 Processor Local x2APIC structure
Length	1	1	16
Reserved	2	2	Reserved - Must be zero
X2APIC ID	4	4	The processor's local x2APIC ID.
Flags	4	8	Same as Local APIC flags. See Table 5-22 for a description of this field.
ACPI Processor UID	4	12	OSPM associates the X2APIC Structure with a processor object declared in the namespace using the Device statement, when the _UID child object of the processor device evaluates to a numeric value, by matching the numeric value with this field

### 5.2.12.13 Local x2APIC NMI Structure

The Local APIC NMI and Local x2APIC NMI structures describe the interrupt input (LINTn) that NMI is connected to for each of the logical processors in the system where such a connection exists. Each NMI connection to a processor requires a separate NMI structure. This information is needed by OSPM to enable the appropriate APIC entry.

NMI connection to a logical processor with local x2APIC ID 255 and greater requires an X2APIC NMI structure. NMI connection to a logical processor with an x2APIC ID less than 255 requires a Local APIC NMI structure. For example, if the platform contains 8 logical processors with x2APIC IDs 0-3 and 256-259 and NMI is connected LINT1 for processor 3, 2, 256 and 257 then two Local APIC NMI entries and two X2APIC NMI entries must be provided in the MADT.

The Local APIC NMI structure is used to specify global LINTx for all processors if **all** logical processors have x2APIC ID less than 255. If the platform contains **any** logical processors with an x2APIC ID of 255 or greater then the Local X2APIC NMI structure must be used to specify global LINTx for **ALL** logical processors. The format of x2APIC NMI structure is listed in Table 5-34.

**Table 5-34 Local x2APIC NMI Structure**

Field	Byte Length	Byte Offset	Description
Type	1	0	0AH Local x2APIC NMI Structure
Length	1	1	12
Flags	2	2	Same as MPS INTI flags. See Table 5-25 for a description of this field.

Field	Byte Length	Byte Offset	Description
ACPI Processor UID	4	4	UID corresponding to the ID listed in the processor Device object. A value of 0xFFFFFFFF signifies that this applies to all processors in the machine.
Local x2APIC LINT#	1	8	Local x2APIC interrupt input LINTn to which NMI is connected.
Reserved	3	9	Reserved - Must be zero.

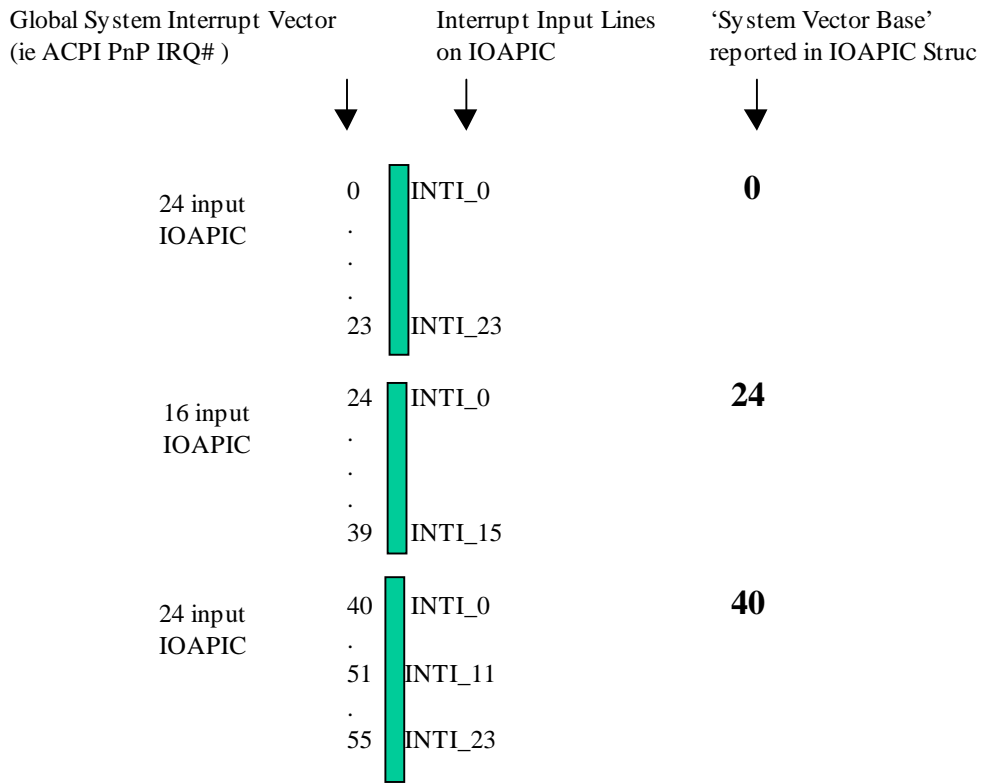


Figure 5-3 APIC-Global System Interrupts

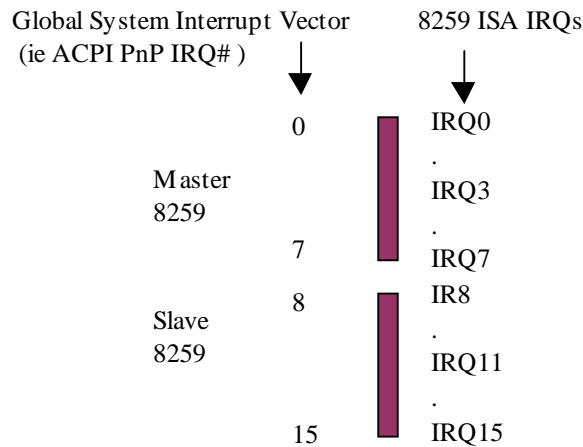
### 5.2.13 Global System Interrupts

Global System Interrupts can be thought of as ACPI Plug and Play IRQ numbers. They are used to virtualize interrupts in tables and in ASL methods that perform resource allocation of interrupts. Do not confuse global system interrupts with ISA IRQs although in the case of the IA-PC 8259 interrupts they correspond in a one-to-one fashion.

There are two interrupt models used in ACPI-enabled systems.

The first model is the APIC model. In the APIC model, the number of interrupt inputs supported by each I/O APIC can vary. OSPM determines the mapping of the Global System Interrupts by determining how many interrupt inputs each I/O APIC supports and by determining the global system interrupt base for each I/O APIC as specified by the I/O APIC Structure. OSPM determines the number of interrupt inputs by reading the Max Redirection register from the I/O APIC. The global system interrupts mapped to that I/O APIC begin at the global system interrupt base and extending through the number of interrupts specified in the Max Redirection register. This mapping is depicted in Figure 5-3.

There is exactly one I/O APIC structure per I/O APIC in the system.



**Figure 5-4 8259–Global System Interrupts**

The other interrupt model is the standard AT style mentioned above which uses ISA IRQs attached to a master slave pair of 8259 PICs. The system vectors correspond to the ISA IRQs. The ISA IRQs and their mappings to the 8259 pair are part of the AT standard and are well defined. This mapping is depicted in Figure 5-4.

### 5.2.14 Smart Battery Table (SBST)

If the platform supports batteries as defined by the Smart Battery Specification 1.0 or 1.1, then an Smart Battery Table (SBST) is present. This table indicates the energy level trip points that the platform requires for placing the system into the specified sleeping state and the suggested energy levels for warning the user to transition the platform into a sleeping state. Notice that while Smart Batteries can report either in current (mA/mAh) or in energy (mW/mWh), OSPM must set them to operate in energy (mW/mWh) mode so that the energy levels specified in the SBST can be used. OSPM uses these tables with the capabilities of the batteries to determine the different trip points. For more precise definitions of these levels, see section 3.9.3, “Battery Gas Gauge.”

**Table 5-35 Smart Battery Description Table (SBST) Format**

Field	Byte Length	Byte Offset	Description
Header			
Signature	4	0	‘SBST’ Signature for the Smart Battery Description Table.
Length	4	4	Length, in bytes, of the entire SBST
Revision	1	8	1
Checksum	1	9	Entire table must sum to zero.
OEMID	6	10	OEM ID
OEM Table ID	8	16	For the SBST, the table ID is the manufacturer model ID.
OEM Revision	4	24	OEM revision of SBST for supplied OEM Table ID.
Creator ID	4	28	Vendor ID of utility that created the table. For tables containing Definition Blocks, this is the ID for the ASL Compiler.
Creator Revision	4	32	Revision of utility that created the table. For tables containing Definition Blocks, this is the revision for the ASL Compiler.
Warning Energy Level	4	36	OEM suggested energy level in milliWatt-hours (mWh) at which OSPM warns the user.
Low Energy Level	4	40	OEM suggested platform energy level in mWh at which OSPM will transition the system to a sleeping state.
Critical Energy Level	4	44	OEM suggested platform energy level in mWh at which OSPM performs an emergency shutdown.

### 5.2.15 Embedded Controller Boot Resources Table (ECDT)

This optional table provides the processor-relative, translated resources of an Embedded Controller. The presence of this table allows OSPM to provide Embedded Controller operation region space access before the namespace has been evaluated. If this table is not provided, the Embedded Controller region space will not be available until the Embedded Controller device in the AML namespace has been discovered and enumerated. The availability of the region space can be detected by providing a `_REG` method object underneath the Embedded Controller device.

**Table 5-36 Embedded Controller Boot Resources Table Format**

Field	Byte Length	Byte Offset	Description
Header			
Signature	4	0	'ECDT' Signature for the Embedded Controller Table.
Length	4	4	Length, in bytes, of the entire Embedded Controller Table
Revision	1	8	1
Checksum	1	9	Entire table must sum to zero.
OEMID	6	10	OEM ID
OEM Table ID	8	16	For the Embedded Controller Table, the table ID is the manufacturer model ID.
OEM Revision	4	24	OEM revision of Embedded Controller Table for supplied OEM Table ID.
Creator ID	4	28	Vendor ID of utility that created the table. For tables containing Definition Blocks, this is the ID for the ASL Compiler.
Creator Revision	4	32	Revision of utility that created the table. For tables containing Definition Blocks, this is the revision for the ASL Compiler.
EC_CONTROL	12	36	Contains the processor relative address, represented in Generic Address Structure format, of the Embedded Controller Command/Status register. <b>Note:</b> Only System I/O space and System Memory space are valid for values for Address_Space_ID.
EC_DATA	12	48	Contains the processor-relative address, represented in Generic Address Structure format, of the Embedded Controller Data register. <b>Note:</b> Only System I/O space and System Memory space are valid for values for Address_Space_ID.
UID	4	60	Unique ID—Same as the value returned by the _UID under the device in the namespace that represents this embedded controller.
GPE_BIT	1	64	The bit assignment of the SCI interrupt within the GPE <sub>x</sub> _STS register of a GPE block described in the FADT that the embedded controller triggers.
EC_ID	Variable	65	ASCII, null terminated, string that contains a fully qualified reference to the namespace object that is this embedded controller device (for example, "\\_SB.PCI0.ISA.EC"). Quotes are omitted in the data field.

ACPI OSPM implementations supporting Embedded Controller devices must also support the ECDT. ACPI 1.0 OSPM implementation will not recognize or make use of the ECDT. The following example code shows how to detect whether the Embedded Controller operation regions are available in a manner that is backward compatible with prior versions of ACPI/OSPM.

```

Device(EC0) {
    Name(REGC, Ones)
    Method(_REG, 2) {
        If(Lequal(Arg0, 3)) {
            Store(Arg1, REGC)
        }
    }
}
Method(ECAV, 0) {
    If(Lequal(REGC, Ones)) {
        If(LgreaterEqual(_REV, 2)) {
            Return(One)
        }
        Else {
            Return(Zero)
        }
    }
    Return(REGC)
}
}

```

To detect the availability of the region, call the ECAV method. For example:

```

If (\_SB.PCI0.EC0.ECAV()) {
    ...regions are available...
}
else {
    ...regions are not available...
}

```

### 5.2.16 System Resource Affinity Table (SRAT)

This optional table provides information that allows OSPM to associate processors and memory ranges, including ranges of memory provided by hot-added memory devices, with system localities / proximity domains and clock domains. On NUMA platforms, SRAT information enables OSPM to optimally configure the operating system during a point in OS initialization when evaluation of objects in the ACPI Namespace is not yet possible. OSPM evaluates the SRAT only during OS initialization. The Local APIC ID / Local SAPIIC ID / Local x2APIC ID of all processors started at boot time must be present in the SRAT. If the Local APIC ID / Local SAPIIC ID / Local x2APIC ID of a dynamically added processor is not present in the SRAT, a `_PXM` object must exist for the processor's device or one of its ancestors in the ACPI Namespace.

**Table 5-37 Static Resource Affinity Table Format**

Field	Byte Length	Byte Offset	Description
Header			
Signature	4	0	'SRAT'. Signature for the System Resource Affinity Table.
Length	4	4	Length, in bytes, of the entire SRAT. The length implies the number of Entry fields at the end of the table
Revision	1	8	3
Checksum	1	9	Entire table must sum to zero.
OEMID	6	10	OEM ID.
OEM Table ID	8	16	For the System Resource Affinity Table, the table ID is the manufacturer model ID.
OEM Revision	4	24	OEM revision of System Resource Affinity Table for supplied OEM Table ID.
Creator ID	4	28	Vendor ID of utility that created the table.

Field	Byte Length	Byte Offset	Description
Creator Revision	4	32	Revision of utility that created the table.
<i>Reserved</i>	4	36	Reserved to be 1 for backward compatibility
<i>Reserved</i>	8	40	Reserved
Static Resource Allocation Structure[n]	---	48	A list of static resource allocation structures for the platform. See section 5.2.16.1, "Processor Local APIC/SAPIC Affinity Structure", section 5.2.16.2 "Memory Affinity Structure", and section 5.2.16.3 "Processor Local x2APIC Affinity Structure".

### 5.2.16.1 Processor Local APIC/SAPIC Affinity Structure

The Processor Local APIC/SAPIC Affinity structure provides the association between the APIC ID or SAPIC ID/EID of a processor and the proximity domain to which the processor belongs. Table 5-38 provides the details of the Processor Local APIC/SAPIC Affinity structure.

**Table 5-38 Processor Local APIC/SAPIC Affinity Structure**

Field	Byte Length	Byte Offset	Description
Type	1	0	0 Processor Local APIC/SAPIC Affinity Structure
Length	1	1	16
Proximity Domain [7:0]	1	2	Bit[7:0] of the proximity domain to which the processor belongs.
APIC ID	1	3	The processor local APIC ID.
Flags	4	4	Flags – Processor Local APIC/SAPIC Affinity Structure. See Table 5-39 for a description of this field.
Local SAPIC EID	1	8	The processor local SAPIC EID.
Proximity Domain [31:8]	3	9	Bit[31:8] of the proximity domain to which the processor belongs.
Clock Domain	4	12	The clock domain to which the processor belongs. See section 6.2.1, "_CDM (Clock Domain)".

**Table 5-39 Flags – Processor Local APIC/SAPIC Affinity Structure**

Field	Bit Length	Bit Offset	Description
Enabled	1	0	If clear, the OSPM ignores the contents of the Processor Local APIC/SAPIC Affinity Structure. This allows system firmware to populate the SRAT with a static number of structures but only enable them as necessary.
<i>Reserved</i>	31	1	Must be zero.



### 5.2.16.2 Memory Affinity Structure

The Memory Affinity structure provides the following topology information statically to the operating system:

- The association between a range of memory and the proximity domain to which it belongs
- Information about whether the range of memory can be hot-plugged.

Table 5-40 provides the details of the Memory Affinity structure.

**Table 5-40 Memory Affinity Structure**

Field	Byte Length	Byte Offset	Description
Type	1	0	1 Memory Affinity Structure
Length	1	1	40
Proximity Domain	4	2	Integer that represents the proximity domain to which the processor belongs
<i>Reserved</i>	2	6	Reserved
Base Address Low	4	8	Low 32 Bits of the Base Address of the memory range
Base Address High	4	12	High 32 Bits of the Base Address of the memory range
Length Low	4	16	Low 32 Bits of the length of the memory range.
Length High	4	20	High 32 Bits of the length of the memory range.
<i>Reserved</i>	4	24	Reserved.
Flags	4	28	Flags – Memory Affinity Structure. Indicates whether the region of memory is enabled and can be hot plugged. Details in See Table 5-41.
<i>Reserved</i>	8	32	Reserved.

**Table 5-41 Flags – Memory Affinity Structure**

Field	Bit Length	Bit Offset	Description
Enabled	1	0	If clear, the OSPM ignores the contents of the Memory Affinity Structure. This allows system firmware to populate the SRAT with a static number of structures but only enable them as necessary.
Hot Pluggable <sup>5</sup>	1	1	The information conveyed by this bit depends on the value of the Enabled bit. If the Enabled bit is set and the Hot Pluggable bit is also set. The system hardware supports hot-add and hot-remove of this memory region If the Enabled bit is set and the Hot Pluggable bit is clear, the system hardware does not support hot-add or hot-remove of this memory region. If the Enabled bit is clear, the OSPM will ignore the contents of the Memory Affinity Structure
NonVolatile	1	2	If set, the memory region represents Non-Volatile memory
<i>Reserved</i>	29	3	Must be zero.

### 5.2.16.3 Processor Local x2APIC Affinity Structure

The Processor Local x2APIC Affinity structure provides the association between the local x2APIC ID of a processor and the proximity domain to which the processor belongs. Table 5-42 provides the details of the Processor Local x2APIC Affinity structure.

**Table 5-42 Processor Local x2APIC Affinity Structure**

Field	Byte Length	Byte Offset	Description
Type	1	0	2 Processor Local x2APIC Affinity Structure
Length	1	1	24
<i>Reserved</i>	2	2	Reserved – Must be zero
Proximity Domain	4	4	The proximity domain to which the logical processor belongs.
X2APIC ID	4	8	The processor local x2APIC ID.
Flags	4	12	Same as Processor Local APIC/SAPIC Affinity Structure flags. See Table 5-39 for a description of this field.
Clock Domain	4	16	The clock domain to which the logical processor belongs. See section 6.2.1, “_CDM (Clock Domain)”.
Reserved	4	20	Reserved.

<sup>5</sup> On x86-based platforms, the OSPM uses the Hot Pluggable bit to determine whether it should shift into PAE mode to allow for insertion of hot-plug memory with physical addresses over 4 GB.

### 5.2.17 System Locality Distance Information Table (SLIT)

This optional table provides a matrix that describes the relative distance (memory latency) between all System Localities, which are also referred to as Proximity Domains. Systems employing a Non Uniform Memory Access (NUMA) architecture contain collections of hardware resources including for example, processors, memory, and I/O buses, that comprise what is known as a “NUMA node”. Processor accesses to memory or I/O resources within the local NUMA node is generally faster than processor accesses to memory or I/O resources outside of the local NUMA node.

The value of each Entry[ $i,j$ ] in the SLIT table, where  $i$  represents a row of a matrix and  $j$  represents a column of a matrix, indicates the relative distances from System Locality / Proximity Domain  $i$  to every other System Locality  $j$  in the system (including itself).

The  $i,j$  row and column values correlate to the value returned by the `_PXM` object in the ACPI namespace. See section 6.2.12, “`_PXM (Proximity)`” for more information.

The entry value is a one-byte unsigned integer. The relative distance from System Locality  $i$  to System Locality  $j$  is the  $i*N + j$  entry in the matrix, where  $N$  is the number of System Localities. Except for the relative distance from a System Locality to itself, each relative distance is stored twice in the matrix. This provides the capability to describe the scenario where the relative distances for the two directions between System Localities is different.

The diagonal elements of the matrix, the relative distances from a System Locality to itself are normalized to a value of 10. The relative distances for the non-diagonal elements are scaled to be relative to 10. For example, if the relative distance from System Locality  $i$  to System Locality  $j$  is 2.4, a value of 24 is stored in table entry  $i*N + j$  and in  $j*N + i$ , where  $N$  is the number of System Localities.

If one locality is unreachable from another, a value of 255 (0xFF) is stored in that table entry. Distance values of 0-9 are reserved and have no meaning.

**Table 5-43 SLIT Format**

Field	Byte Length	Byte Offset	Description
Header			
Signature	4	0	‘SLIT’. Signature for the System Locality Distance Information Table.
Length	4	4	Length, in bytes, of the entire System Locality Distance Information Table.
Revision	1	8	1
Checksum	1	9	Entire table must sum to zero.
OEMID	6	10	OEM ID.
OEM Table ID	8	16	For the System Locality Information Table, the table ID is the manufacturer model ID.
OEM Revision	4	24	OEM revision of System Locality Information Table for supplied OEM Table ID.
Creator ID	4	28	Vendor ID of utility that created the table. For the DSDT, RSDT, SSDT, and PSDT tables, this is the ID for the ASL Compiler.

Field	Byte Length	Byte Offset	Description
Creator Revision	4	32	Revision of utility that created the table. For the DSDT, RSDT, SSDT, and PSDT tables, this is the revision for the ASL Compiler.
Number of System Localities	8	36	Indicates the number of System Localities in the system.
Entry[0][0]	1	44	Matrix entry (0,0), contains a value of 10.
...			
Entry[0][Number of System Localities-1]	1		Matrix entry (0, Number of System Localities-1)
Entry[1][0]	1		Matrix entry (1,0)
.....			.....
Entry[Number of System Localities-1][Number of System Localities-1]	1		Matrix entry (Number of System Localities-1, Number of System Localities-1), contains a value of 10

### 5.2.18 Corrected Platform Error Polling Table (CPEP)

Platforms may contain the ability to detect and correct certain operational errors while maintaining platform function. These errors may be logged by the platform for the purpose of retrieval. Depending on the underlying hardware support, the means for retrieving corrected platform error information varies. If the platform hardware supports interrupt-based signaling of corrected platform errors, the MADT Platform Interrupt Source Structure describes the Corrected Platform Error Interrupt (CPEI). See section 5.2.11.14, "Platform Interrupt Source Structure". Alternatively, OSPM may poll processors for corrected platform error information. Error log information retrieved from a processor may contain information for all processors within an error reporting group. As such, it may not be necessary for OSPM to poll all processors in the system to retrieve complete error information. This optional table provides information that allows OSPM to poll only the processors necessary for a complete report of the platform's corrected platform error information.

**Table 5-44 Corrected Platform Error Polling Table Format**

Field	Byte Length	Byte Offset	Description
Header			
Signature	4	0	'CPEP'. Signature for the Corrected Platform Error Polling Table.
Length	4	4	Length, in bytes, of the entire CPET. The length implies the number of Entry fields at the end of the table
Revision	1	8	1
Checksum	1	9	Entire table must sum to zero.
OEMID	6	10	OEM ID.
OEM Table ID	8	16	For the Corrected Platform Error Polling Table, the table ID is the manufacturer model ID.

Field	Byte Length	Byte Offset	Description
OEM Revision	4	24	OEM revision of Corrected Platform Error Polling Table for supplied OEM Table ID.
Creator ID	4	28	Vendor ID of utility that created the table.
Creator Revision	4	32	Revision of utility that created the table.
<i>Reserved</i>	8	36	Reserved, must be 0.
CPEP Processor Structure[n]	---	44	A list of Corrected Platform Error Polling Processor structures for the platform. See section 5.2.17.1, "Corrected Platform Error Polling Processor Structure".

### 5.2.18.1 Corrected Platform Error Polling Processor Structure

The Corrected Platform Error Polling Processor structure provides information on the specific processors OSPM polls for error information. Table 5-45 provides the details of the Corrected Platform Error Polling Processor structure.

**Table 5-45 Corrected Platform Error Polling Processor Structure**

Field	Byte Length	Byte Offset	Description
Type	1	0	0 Corrected Platform Error Polling Processor structure for APIC/SAPIC based processors
Length	1	1	8
Processor ID	1	2	Processor ID of destination.
Processor EID	1	3	Processor EID of destination.
Polling Interval	4	4	Platform-suggested polling interval (in milliseconds)

### 5.2.19 Maximum System Characteristics Table (MSCT)

This section describes the format of the Maximum System Characteristic Table (MSCT), which provides OSPM with information characteristics of a system's maximum topology capabilities. If the system maximum topology is not known up front at boot time, then this table is not present. OSPM will use information provided by the MSCT only when the System Resource Affinity Table (SRAT) exists. The MSCT must contain all proximity and clock domains defined in the SRAT.

**Table 5-46 Maximum System Characteristics Table (MSCT) Format**

Field	Byte Length	Byte Offset	Description
Header			
Signature	4	0	'MSCT' Signature for the Maximum System Characteristics Table.
Length	4	4	Length, in bytes, of the entire MSCT.

Field	Byte Length	Byte Offset	Description
Revision	1	8	1
Checksum	1	9	Entire table must sum to zero.
OEMID	6	10	OEM ID
OEM Table ID	8	16	For the MSCT, the table ID is the manufacturer model ID.
OEM Revision	4	24	OEM revision of MSCT for supplied OEM Table ID.
Creator ID	4	28	Vendor ID of utility that created the table. For tables containing Definition Blocks, this is the ID for the ASL Compiler.
Creator Revision	4	32	Revision of utility that created the table. For tables containing Definition Blocks, this is the revision for the ASL Compiler.
Offset to Proximity Domain Information Structure [OffsetProxDomInfo]	4	36	Offset in bytes to the Proximity Domain Information Structure table entry.
Maximum Number of Proximity Domains	4	40	Indicates the maximum number of Proximity Domains ever possible in the system. The number reported in this field is (maximum domains – 1). For example if there are 0x10000 possible domains in the system, this field would report 0xFFFF.
Maximum Number of Clock Domains	4	44	Indicates the maximum number of Clock Domains ever possible in the system. The number reported in this field is (maximum domains – 1). See section 6.2.1, “_CDM (Clock Domain)”.
Maximum Physical Address	8	48	Indicates the maximum Physical Address ever possible in the system. Note: this is the top of the reachable physical address.
Proximity Domain Information Structure [Maximum Number of Proximity Domains]	—	[OffsetProxDomInfo]	A list of Proximity Domain Information for this implementation. The structure format is defined in the Maximum Proximity Domain Information Structure section.

### 5.2.19.1 Maximum Proximity Domain Information Structure

The Maximum Proximity Domain Information Structure is used to report system maximum characteristics. It is likely that these characteristics may be the same for many proximity domains, but they can vary from one proximity domain to another. This structure optimizes to cover the former case, while allowing the flexibility for the latter as well. These structures must be organized in ascending order of the proximity domain enumerations. All proximity domains within the Maximum Number of Proximity Domains reported in the MSCT must be covered by one of these structures.

**Table 5-47 Maximum Proximity Domain Information Structure**

Field	Byte Length	Byte Offset	Description
Revision	1	0	1
Length	1	1	22
Proximity Domain Range (low)	4	2	The starting proximity domain for the proximity domain range that this structure is providing information.
Proximity Domain Range (high)	4	6	The ending proximity domain for the proximity domain range that this structure is providing information.
Maximum Processor Capacity	4	10	The Maximum Processor Capacity of each of the Proximity Domains specified in the range. A value of 0 means that the proximity domains do not contain processors. This field must be $\geq$ the number of processor entries for the domain in the SRAT.
Maximum Memory Capacity	8	14	The Maximum Memory Capacity (size in bytes) of the Proximity Domains specified in the range. A value of 0 means that the proximity domains do not contain memory.

### 5.3 ACPI Namespace

For all Definition Blocks, the system maintains a single hierarchical namespace that it uses to refer to objects. All Definition Blocks load into the same namespace. Although this allows one Definition Block to reference objects and data from another (thus enabling interaction), it also means that OEMs must take care to avoid any naming collisions<sup>6</sup>. Only an unload operation of a Definition Block can remove names from the namespace, so a name collision in an attempt to load a Definition Block is considered fatal. The contents of the namespace changes only on a load or unload operation.

The namespace is hierarchical in nature, with each name allowing a collection of names “below” it. The following naming conventions apply to all names:

- All names are a fixed 32 bits.
- The first byte of a name is inclusive of: ‘A’–‘Z’, ‘\_’, (0x41–0x5A, 0x5F).
- The remaining three bytes of a name are inclusive of: ‘A’–‘Z’, ‘0’–‘9’, ‘\_’, (0x41–0x5A, 0x30–0x39, 0x5F).
- By convention, when an ASL compiler pads a name shorter than 4 characters, it is done so with trailing underscores (‘\_’). See the language definition for AML NameSeg in Section 16, “ACPI Source Language Reference.”
- Names beginning with ‘\_’ are reserved by this specification. Definition Blocks can only use names beginning with ‘\_’ as defined by this specification.
- A name preceded with ‘\’ causes the name to refer to the root of the namespace (‘\’ is not part of the 32-bit fixed-length name).
- A name preceded with ‘^’ causes the name to refer to the parent of the current namespace (‘^’ is not part of the 32-bit fixed-length name).

Except for names preceded with a ‘\’, the current namespace determines where in the namespace hierarchy a name being created goes and where a name being referenced is found. A name is located by finding the matching name in the current namespace, and then in the parent namespace. If the parent namespace does not contain the name, the search continues recursively upwards until either the name is found or the namespace does not have a parent (the root of the namespace). This indicates that the name is not found<sup>7</sup>.

An attempt to access names in the parent of the root will result in the name not being found.

There are two types of namespace paths: an absolute namespace path (that is, one that starts with a ‘\’ prefix), and a relative namespace path (that is, one that is relative to the current namespace). The namespace search rules discussed above, only apply to single NameSeg paths, which is a relative namespace path. For those relative name paths that contain multiple NameSegs or Parent Prefixes, ‘^’, the search rules do not apply. If the search rules do not apply to a relative namespace path, the namespace object is looked up relative to the current namespace. For example:

<b>ABCD</b>	//search rules apply
<b>^ABCD</b>	//search rules do <b>not</b> apply
<b>XYZ . ABCD</b>	//search rules do <b>not</b> apply
<b>\XYZ . ABCD</b>	//search rules do <b>not</b> apply

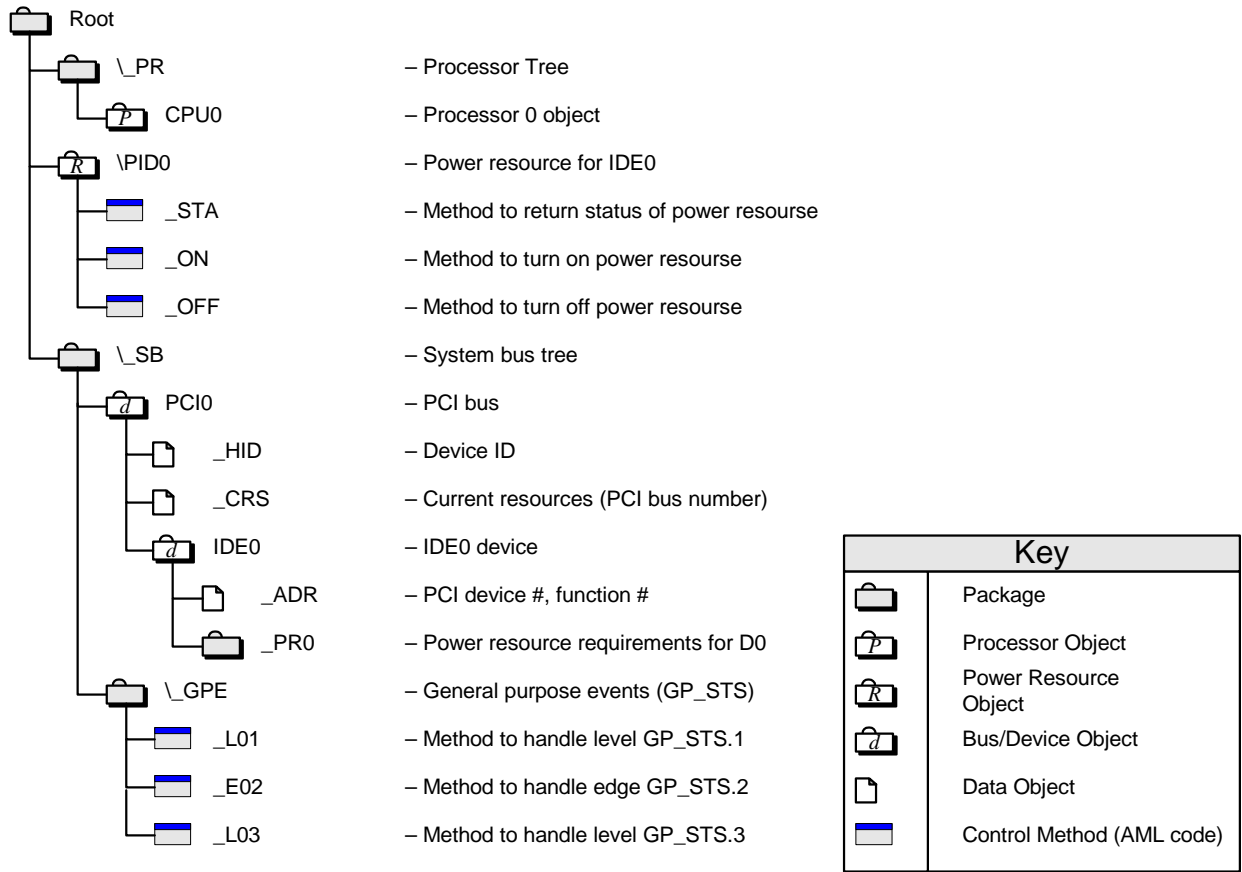
<sup>6</sup> For the most part, since the name space is hierarchical, typically the bulk of a dynamic definition file will load into a different part of the hierarchy. The root of the name space and certain locations where interaction is being designed are the areas in which extra care must be taken.

<sup>7</sup> Unless the operation being performed is explicitly prepared for failure in name resolution, this is considered an error and may cause the system to stop working.



All name references use a 32-bit fixed-length name or use a Name Extension prefix to concatenate multiple 32-bit fixed-length name components together. This is useful for referring to the name of an object, such as a control method, that is not in the scope of the current namespace.

The figure below shows a sample of the ACPI namespace after a Differentiated Definition Block has been loaded.



**Figure 5-5 Example ACPI Namespace**

Care must be taken when accessing namespace objects using a relative single segment name because of the namespace search rules. An attempt to access a relative object recurses toward the root until the object is found or the root is encountered. This can cause unintentional results. For example, using the namespace described in Figure 5.5, attempting to access a `_CRS` named object from within the `\_SB\_PCI0.IDE0` will have different results depending on if an absolute or relative path name is used. If an absolute pathname is specified (`\_SB\_PCI0.IDE0\_CRS`) an error will result since the object does not exist. Access using a single segment name (`_CRS`) will actually access the `\_SB\_PCI0\_CRS` object. Notice that the access will occur successfully with no errors.

### 5.3.1 Predefined Root Namespaces

The following namespaces are defined under the namespace root.

**Table 5-48 Namespaces Defined Under the Namespace Root**

Name	Description
<code>\_GPE</code>	General events in GPE register block.
<code>\_PR</code>	ACPI 1.0 Processor Namespace. ACPI 1.0 requires all Processor objects to be defined under this namespace. ACPI allows Processor object definitions under the <code>\_SB</code> namespace. Platforms may maintain the <code>\_PR</code> namespace for compatibility with ACPI 1.0 operating systems. An ACPI-compatible namespace may define Processor objects in either the <code>\_SB</code> or <code>\_PR</code> scope but not both.  For more information about defining Processor objects, see section 8, “Processor Configuration and Control.”
<code>\_SB</code>	All Device/Bus Objects are defined under this namespace.
<code>\_SI</code>	System indicator objects are defined under this namespace. For more information about defining system indicators, see section 9.1, <code>\_SI</code> System Indicators.”
<code>\_TZ</code>	ACPI 1.0 Thermal Zone namespace. ACPI 1.0 requires all Thermal Zone objects to be defined under this namespace. Thermal Zone object definitions may now be defined under the <code>\_SB</code> namespace. ACPI-compatible systems may maintain the <code>\_TZ</code> namespace for compatibility with ACPI 1.0 operating systems. An ACPI-compatible namespace may define Thermal Zone objects in either the <code>\_SB</code> or <code>\_TZ</code> scope but not both.  For more information about defining Thermal Zone objects, see section 11, “Thermal Management.”

### 5.3.2 Objects

All objects, except locals, have a global scope. Local data objects have a per-invocation scope and lifetime and are used to process the current invocation from beginning to end.

The contents of objects vary greatly. Nevertheless, most objects refer to data variables of any supported data type, a control method, or system software-provided functions.

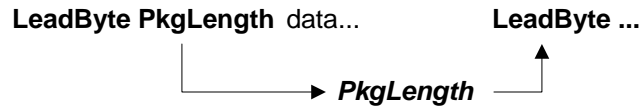
Objects may contain a revision field. Successive ACPI specifications define object revisions so that they are backwards compatible with OSPM implementations that support previous specifications / object revisions. New object fields are added at the end of previous object definitions. OSPM interprets objects according to the revision number it supports including all earlier revisions. As such, OSPM expects that an object’s length can be greater than or equal to the length of the known object revision. When evaluating objects with revision numbers greater than that known by OSPM, OSPM ignores internal object fields values that are beyond the defined object field range for the known revision.

## 5.4 Definition Block Encoding

This section specifies the encoding used in a Definition Block to define names (load time only), objects, and packages. The Definition Block is encoded as a stream from beginning to end. The lead byte in the stream comes from the AML encoding tables shown in section 18, “ACPI Source Language (ASL) Reference,” and signifies how to interpret some number of following bytes, where each following byte can in turn signify how to interpret some number of following bytes. For a full specification of the AML encoding, see section 18, “ACPI Source Language (ASL) Reference.”

Within the stream there are two levels of data being defined. One is the packaging and object declarations (load time), and the other is an object reference (package contents/run-time).

All encodings are such that the lead byte of an encoding signifies the type of declaration or reference being made. The type either has an implicit or explicit length in the stream. All explicit length declarations take the form shown below, where *PkgLength* is the length of the inclusive length of the data for the operation.



**Figure 5-6 AML Encoding**

Encodings of implicit length objects either have fixed length encodings or allow for nested encodings that, at some point, either result in an explicit or implicit fixed length.

The *PkgLength* is encoded as a series of 1 to 4 bytes in the stream with the most significant two bits of byte zero, indicating how many following bytes are in the *PkgLength* encoding. The next two bits are only used in one-byte encodings, which allows for one-byte encodings on a length up to 0x3F. Longer encodings, which do not use these two bits, have a maximum length of the following: two-byte encodings of 0x0FFF, three-byte encodings of 0x0FFFFF, and four-byte length encodings of 0x0FFFFFFF.

It is fatal for a package length to not fall on a logical boundary. For example, if a package is contained in another package, then by definition its length must be contained within the outer package, and similarly for a datum of implicit length.

At some point, the system software decides to “load” a Definition Block. Loading is accomplished when the system makes a pass over the data and populates the ACPI namespace and initializes objects accordingly. The namespace for which population occurs is either from the *current namespace location*, as defined by all nested packages or from the root if the name is preceded with ‘\’.

The first object present in a Definition Block must be a named control method. This is the Definition Block’s initialization control.

Packages are objects that contain an ordered reference to one or more objects. A package can also be considered a vertex of an array, and any object contained within a package can be another package. This permits multidimensional arrays of fixed or dynamic depths and vertices.

Unnamed objects are used to populate the contents of named objects. Unnamed objects cannot be created in the “root.” Unnamed objects can be used as arguments in control methods.

Control method execution may generate errors when creating objects. This can occur if a Method that creates named objects blocks and is reentered while blocked. This will happen because all named objects have an absolute path. This is true even if the object name specified is relative. For example, the following ASL code segments are functionally identical.

```
(1)
Method (DEAD,) {
    Scope (\_SB_.FOO) {
        Name (BAR,) // Run time definition
    }
}

(2)
Scope (\_SB_) {
    Name (\_SB_. FOO.BAR,) // Load time definition
}
```

Notice that in the above example the execution of the DEAD method will always fail because the object `\_SB_.FOO.BAR` is created at load time.

## 5.5 Using the ACPI Control Method Source Language

OEMs and BIOS vendors write definition blocks using the ACPI Control Method Source language (ASL) and use a translator to produce the byte stream encoding described in section 5.4, “Definition Block Encoding”. For example, the ASL statements that produce the example byte stream shown in that earlier section are shown in the following ASL example. For a full specification of the ASL statements, see section 18, “ACPI Source Language (ASL) Reference.”

```
// ASL Example
DefinitionBlock (
    "forbook.aml",      // Output Filename
    "DSDT",             // Signature
    0x02,               // DSDT Compliance Revision
    "OEM",              // OEMID
    "forbook",         // TABLE ID
    0x1000              // OEM Revision
)
{
    // start of definition block
    OperationRegion(\GPIO, SystemIO, 0x125, 0x1)
    Field(\GPIO, ByteAcc, NoLock, Preserve) {
        CT01, 1,
    }

    Scope(\_SB){ // start of scope
        Device(PCI0) { // start of device
            PowerResource(FET0, 0, 0) { // start of pwr
                Method (_ON) {
                    Store (Ones, CT01) // assert power
                    Sleep (30) // wait 30ms
                }
                Method (_OFF) {
                    Store (Zero, CT01) // assert reset#
                }
                Method (_STA) {
                    Return (CT01)
                }
            } // end of power
        } // end of device
    } // end of scope
} // end of definition block
```

### 5.5.1 ASL Statements

ASL is principally a declarative language. ASL statements declare objects. Each object has three parts, two of which can be null:

```
Object := ObjectType FixedList VariableList
```

*FixedList* refers to a list of known length that supplies data that all instances of a given *ObjectType* must have. It is written as (a, b, c,), where the number of arguments depends on the specific *ObjectType*, and some elements can be nested objects, that is (a, b, (q, r, s, t), d). Arguments to a *FixedList* can have default values, in which case they can be skipped. Some *ObjectTypes* can have a null *FixedList*.

*VariableList* refers to a list, not of predetermined length, of child objects that help define the parent. It is written as {x, y, z, aa, bb, cc}, where any argument can be a nested object. *ObjectType* determines what terms are legal elements of the *VariableList*. Some *ObjectTypes* can have a null variable list.

For a detailed specification of the ASL language, see section 18, “ACPI Source Language (ASL) Reference.” For a detailed specification of the ACPI Control Method Machine Language (AML), upon which the output of the ASL translator is based, see section 19, “ACPI Machine Language (AML) Specification.”

## 5.5.2 Control Method Execution

OSPM evaluates control method objects as necessary to either interrogate or adjust the system-level hardware state. This is called an invocation.

A control method can use other internal, or well defined, control methods to accomplish the task at hand, which can include defined control methods provided by the operating software. Control Methods can reference any objects anywhere in the Namespace. Interpretation of a Control Method is not preemptive, but it can block. When a control method does block, OSPM can initiate or continue the execution of a different control method. A control method can only assume that access to global objects is exclusive for any period the control method does not block.

Global objects are those NameSpace objects created at table load time.

### 5.5.2.1 Arguments

Up to seven arguments can be passed to a control method. Each argument is an object that in turn could be a “package” style object that refers to other objects. Access to the argument objects is provided via the ASL **ArgTerm** (*ArgX*) language elements. The number of arguments passed to any control method is fixed and is defined when the control method package is created.

Method arguments can take one of the following forms:

- 1) An ACPI name or namepath that refers to a named object. This includes the LocalX and ArgX names. In this case, the object associated with the name is passed as the argument.
- 2) An ACPI name or namepath that refers to another control method. In this case, the method is invoked and the return value of the method is passed as the argument. A fatal error occurs if no object is returned from the method. If the object is not used after the method invocation it is automatically deleted.
- 3) A valid ASL expression. In the case, the expression is evaluated and the object that results from this evaluation is passed as the argument. If this object is not used after the method invocation it is automatically deleted.

### 5.5.2.2 Method Calling Convention

The calling convention for control methods can best be described as *call-by-reference-constant*. In this convention, objects passed as arguments are passed by “reference”, meaning that they are not copied to new objects as they are passed to the called control method (A calling convention that copies objects or object *wrappers* during a call is known as *call-by-value* or *call-by-copy*).

This *call-by-reference-constant* convention allows internal objects to be shared across each method invocation, therefore reducing the number of object copies that must be performed as well as the number of buffers that must be copied. This calling convention is appropriate to the low-level nature of the ACPI subsystem within the kernel of the host operating system where non-paged dynamic memory is typically at a premium. The ASL programmer must be aware of the calling convention and the related side effects.

However, unlike a pure *call-by-reference* convention, the ability of the called control method to modify arguments is extremely limited. This reduces aliasing issues such as when a called method unexpectedly modifies a object or variable that has been passed as an argument by the caller. In effect, the arguments that are passed to control methods are passed as constants that cannot be modified except under specific controlled circumstances.

Generally, the objects passed to a control method via the ArgX terms cannot be directly written or modified by the called method. In other words, when an ArgX term is used as a target operand in an ASL statement, the existing ArgX object is not modified. Instead, the new object replaces the existing object and the ArgX term effectively becomes a LocalX term.

The only exception to the read-only argument rule is if an ArgX term contains an Object Reference created via the *RefOf* ASL operator. In this case, the use of the ArgX term as a target operand will cause any existing object stored at the ACPI name referred to by the *RefOf* operation to be overwritten.

In some limited cases, a new, writable object may be created that will allow a control method to change the value of an ArgX object. These cases are limited to Buffer and Package objects where the “value” of the object is represented indirectly. For Buffers, a writable Index or Field can be created that refers to the original buffer data and will allow the called method to read or modify the data. For Packages, a writable Index can be created to allow the called method to modify the contents of individual elements of the Package.

### 5.5.2.3 Local Variables and Locally Created Data Objects

Control methods can access up to eight local data objects. Access to the local data objects have shorthand encodings. On initial control method execution, the local data objects are NULL. Access to local objects is via the ASL LocalTerm language elements.

Upon control method execution completion, one object can be returned that can be used as the result of the execution of the method. The “caller” must either use the result or save it to a different object if it wants to preserve it. See the description of the Return ASL operator for additional details

NameSpace objects created within the scope of a method are dynamic. They exist only for the duration of the method execution. They are created when specified by the code and are destroyed on exit. A method may create dynamic objects outside of the current scope in the NameSpace using the scope operator or using full path names. These objects will still be destroyed on method exit. Objects created at load time outside of the scope of the method are static. For example:

```
Scope (\XYZ) {
  Name (BAR, 5) // Creates \XYZ.BAR
  Method (FOO, 1) {
    Store (BAR, CREG) // same effect as Store (\XYZ.BAR, CREG)
    Name (BAR, 7) // Creates \XYZ.FOO.BAR
    Store (BAR, DREG) // same effect as Store (\XYZ.FOO.BAR, DREG)
    Name (\XYZ.FOOB, 3) // Creates \XYZ.FOOB
  } // end method
} // end scope
```

The object \XYZ.BAR is a static object created when the table that contains the above ASL is loaded. The object \XYZ.FOO.BAR is a dynamic object that is created when the Name (BAR, 7) statement in the FOO method is executed. The object \XYZ.FOOB is a dynamic object created by the \XYZ.FOO method when the Name (\XYZ.FOOB, 3) statement is executed. Notice that the \XYZ.FOOB object is destroyed after the \XYZ.FOO method exits.

### 5.5.2.4 Access to Operation Regions

Control Methods read and write data to locations in address spaces (for example, System memory and System I/O) by using the Field operator (see section 18.5.44 Field (Declare Field Objects)) to declare a data element within an entity known as an “Operation Region” and then performing accesses using the data element name. An Operation Region is a specific region of operation within an address space that is declared as a subset of the entire address space using a starting address (offset) and a length (see section 18.5.89 “OperationRegion (Declare Operation Region)”). Control methods must have exclusive access to any address accessed via fields declared in Operation Regions. Control methods may not directly access any other hardware registers, including the ACPI-defined register blocks. Some of the ACPI registers, in the defined ACPI registers blocks, are maintained on behalf of control method execution. For example, the GPE<sub>x</sub>\_BLK is not directly accessed by a control method but is used to provide an extensible interrupt handling model for control method invocation.

**Note:** Accessing an OpRegion may block, even if the OpRegion is not protected by a mutex. For example, because of the slow nature of the embedded controller, an embedded controller OpRegion field access may block.

There are eight predefined Operation Region types specified by ACPI as described in Table 5-49.

**Table 5-49 Operation Region Address Space Identifiers**

Name ( <i>RegionSpace</i> Keyword)	Value
<b>SystemMemory</b>	0
<b>SystemIO</b>	1
<b>PCI_Config</b>	2
<b>EmbeddedControl</b>	3
<b>SMBus</b>	4
<b>CMOS</b>	5
<b>PCIBARTarget</b>	6
<b>IPMI</b>	7
<b>Reserved</b>	0x08-0x7F

In addition, OEMs may define Operation Regions Address Space ID types **0x80** to **0xFF**.

Operation region access to the SystemMemory, SystemIO, and PCI\_Config address spaces is simple and straightforward. Operation region access to the EmbeddedControl address space is described in Section 12, “ACPI Embedded Controller Interface Specification”. Operation region access to the SMBus address space is described in Section 13, “ACPI System Management Bus Interface Specification”. Operation region access to the CMOS, PCIBARTarget, and IPMI address spaces is described in the following sections.

#### 5.5.2.4.1 CMOS Protocols

This section describes how CMOS battery-backed non-volatile memory can be accessed from ASL. Most computers contain an RTC/CMOS device that can be represented as a linear array of bytes of non-volatile memory. There is a standard mechanism for accessing the first 64 bytes of non-volatile RAM in devices that are compatible with the Motorola RTC/CMOS device used in the original IBM PC/AT. Existing RTC/CMOS devices typically contain more than 64 bytes of non-volatile RAM, and no standard mechanism exists for access to this additional storage area. To provide access to all of the non-volatile memory in these devices from AML, PnP IDs exist for each type of extension. These are PNP0B00, PNP0B01, and PNP0B02. The specific devices that these PnP IDs support are described in section 9.16, “PC/AT RTC/CMOS Device”, along with field definition ASL example code. The drivers corresponding to these device handle operation region accesses to the CMOS operation region for their respective device types.

All bytes of CMOS that are related to the current time, day, date, month, year and century are read-only.

#### 5.5.2.4.2 PCI Device BAR Target Protocols

This section describes how PCI devices’ control registers can be accessed from ASL. PCI devices each have an address space associated with them called the Configuration Space. At offset 0x10 through offset 0x27, there are as many as six Base Address Registers, (BARs). These BARs contain the base address of a series of control registers (in I/O or Memory space) for the PCI device. Since a Plug and Play OS may change the values of these BARs at any time, ASL cannot read and write from these deterministically using I/O or Memory operation regions. Furthermore, a Plug and Play OS will automatically assign ownership of the I/O and Memory regions associated with these BARs to a device driver associated with the PCI device. An ACPI OS (which must also be a Plug and Play operating system) will not allow ASL to read and write regions that are owned by native device drivers.

If a platform uses a PCI BAR Target operation region, an ACPI OS will not load a native device driver for the associated PCI function. For example, if any of the BARs in a PCI function are associated with a PCI BAR Target operation region, then the OS will assume that the PCI function is to be entirely under the control of the ACPI BIOS. No driver will be loaded. Thus, a PCI function can be used as a platform controller for some task (hot-plug PCI, and so on) that the ACPI BIOS performs.

#### 5.5.2.4.2.1 Declaring a PCI BAR Target Operation Region

PCI BARs contain the base address of an I/O or Memory region that a PCI device's control registers lie within. Each BAR implements a protocol for determining whether those control registers are within I/O or Memory space and how much address space the PCI device decodes. (See the PCI Specification for more details.)

PCI BAR Target operation regions are declared by providing the offset of the BAR within the PCI device's PCI configuration space. The BAR determines whether the actual access to the device occurs through an I/O or Memory cycle, not by the declaration of the operation region. The length of the region is similarly implied.

In the term `OperationRegion(PBAR, PciBarTarget, 0x10, 0x4)`, the offset is the offset of the BAR within the configuration space of the device. This would be an example of an operation region that uses the first BAR in the device.

#### 5.5.2.4.2.2 PCI Header Types and PCI BAR Target Operation Regions

PCI BAR Target operation regions may only be declared in the scope of PCI devices that have a PCI Header Type of 0. PCI devices with other header types are bridges. The control of PCI bridges is beyond the scope of ASL.

#### 5.5.2.4.3 Declaring IPMI Operation Regions

This section describes the Intelligent Platform Management Interface (IPMI) address space and the use of this address space to communicate with the Baseboard Management Controller (BMC) hardware from AML.

Similar to SMBus, IPMI operation regions are command based, where each offset within an IPMI address space represent an IPMI command and response pair. Given this uniqueness, IPMI operation regions include restrictions on their field definitions and require the use of an IPMI-specific data buffer for all transactions. The IPMI interface presented in this section is intended for use with any hardware implementation compatible with the IPMI specification, regardless of the system interface type.

Support of the IPMI generic address space by ACPI-compatible operating systems is optional, and is contingent on the existence of an ACPI IPMI device, i.e. a device with the "IPI0001" plug and play ID. If present, OSPM should load the necessary driver software based on the system interface type as specified by the `_IFT` (IPMI Interface Type) control method under the device, and register handlers for accesses into the IPMI operation region space.

For more information, refer to the IPMI specification.

Each IPMI operation region definition identifies a single IPMI network function. Operation regions are defined only for those IPMI network functions that need to be accessed from AML. As with other regions, IPMI operation regions are only accessible via the **Field** term (see section 5.5.2.4.3.1, "Declaring IPMI Fields").

This interface models each IPMI network function as having a 256-byte linear address range. Each byte offset within this range corresponds to a single command value (for example, byte offset 0xC1 equates to command value 0xC1), with a maximum of 256 command values. By doing this, IPMI address spaces appear linear and can be processed in a manner similar to the other address space types.

The syntax for the **OperationRegion** term (from section 18.5.89, "OperationRegion (Declare Operation Region]") is described below.



```

OperationRegion (
    RegionName,      // NameString
    RegionSpace,    // RegionSpaceKeyword
    Offset,          // TermArg=>Integer
    Length           // TermArg=>Integer
)

```

Where:

- *RegionName* specifies a name for this IPMI network function (for example, “POWR”).
- *RegionSpace* must be set to **IPMI** (operation region type value 0x07).
- *Offset* is a word-sized value specifying the network function and initial command value offset for the target device. The network function address is stored in the high byte and the command value offset is stored in the low byte. For example, the value 0x3000 would be used for a device with the network function of 0x06, and an initial command value offset of zero (0).
- *Length* is set to the 0x100 (256), representing the maximum number of possible command values, for regions with an initial command value offset of zero (0). The difference of these two values is used for regions with non-zero offsets. For example, a region with an *Offset* value of 0x3010 would have a corresponding *Length* of 0xF0 (0x100 minus 0x10).

For example, a Baseboard Management Controller will support power metering capabilities at the network function 0x30, and IPMI commands to query the BMC device information at the network function 0x06.

The following ASL code shows the use of the `OperationRegion` term to describe these IPMI functions:

```

Device (IPMI)
{
    Name(_HID, "IPI0001")           // IPMI device
    Name(_IFT, 0x1)                 // KCS system interface type
    OperationRegion(DEVC, IPMI, 0x0600, 0x100) // Device info network function
    OperationRegion(POWR, IPMI, 0x3000, 0x100) // Power network function
    :
}

```

Notice that these operation regions in this example are defined within the immediate context of the ‘owning’ IPMI device. This ensures the correct operation region handler will be used, based on the value returned by the `_IFT` object. Each definition corresponds to a separate network function, and happens to use an initial command value offset of zero (0).

### 5.5.2.4.3.1 Declaring IPMI Fields

As with other regions, IPMI operation regions are only accessible via the `Field` term. Each field element is assigned a unique command value and represents a virtual command for the targeted network function.

The syntax for the **Field** term (from section 18.5.38, “Event (Declare Event Synchronization Object)”) is described below.

```

Field(
    RegionName,      // NameString=>OperationRegion
    AccessType,      // AccessTypeKeyword - BufferAcc
    LockRule,        // LockRuleKeyword
    UpdateRule       // UpdateRuleKeyword - ignored
) {FieldUnitList}

```

Where:

- *RegionName* specifies the operation region name previously defined for the network function.
- *AccessType* must be set to **BufferAcc**. This indicates that access to field elements will be done using a region-specific data buffer. For this access type, the field handler is not aware of the data buffer’s contents which may be of any size. When a field of this type is used as the source argument in an operation it simply evaluates to a buffer. When used as the destination, however, the buffer is passed bi-directionally to allow data to be returned from write operations. The modified buffer then becomes the response message of that command. This is slightly different than the normal case in which the

execution result is the same as the value written to the destination. Note that the source is never changed, since it only represents a virtual register for a particular IPMI command.

- *LockRule* indicates if access to this operation region requires acquisition of the Global Lock for synchronization. This field should be set to **Lock** on system with firmware that may access the BMC via IPMI, and **NoLock** otherwise.
- *UpdateRule* is not applicable to IPMI operation regions since each virtual register is accessed in its entirety. This field is ignored for all IPMI field definitions.

IPMI operation regions require that all field elements be declared at command value granularity. This means that each virtual register cannot be broken down to its individual bits within the field definition.

Access to sub-portions of virtual registers can be done only outside of the field definition. This limitation is imposed both to simplify the IPMI interface and to maintain consistency with the physical model defined by the IPMI specification.

Since the system interface used for IPMI communication is determined by the `_IFT` object under the IPMI device, there is no need for using of the `AccessAs` term within the field definition. In fact its usage will be ignored by the operation handler.

For example, the register at command value `0xC1` for the power meter network function might represent the command to set a BMC enforced power limit, while the register at command value `0xC2` for the same network function might represent the current configured power limit. At the same time, the register at command value `0xC8` might represent the latest power meter measurement.

The following ASL code shows the use of the `OperationRegion`, `Field`, and `Offset` terms to represent these virtual registers:

```
OperationRegion(POWR, IPMI, 0x3000, 0x100)      // Power network function
Field(POWR, BufferAcc, NoLock, Preserve)
{
    Offset(0xC1),                               // Skip to command value 0xC1
    SPWL, 8,                                     // Set power limit [command value 0xC1]
    GPWL, 8,                                     // Get power limit [command value 0xC2]
    Offset(0xC8),                               // Skip to command value 0xC8
    GPMM, 8,                                     // Get power meter measurement [command value 0xC8]
}
```

Notice that command values are equivalent to the field element's byte offset (for example, `SPWL=0xC1`, `GPWL=0xC2`, `GPMM=0xC8`).

### 5.5.2.4.3.2 Declaring and Using IPMI Request and Response Buffer

Since each virtual register in the IPMI operation region represents an individual IPMI command, and the operation relies on use of bi-directional buffer, a common buffer structure is required to represent the request and response messages. The use of a data buffer for IPMI transactions allows AML to receive status and data length values.

The IPMI data buffer is defined as a fixed-length 66-byte buffer that, if represented using a 'C'-styled declaration, would be modeled as follows:

```
typedef struct
{
    BYTE      Status;           // Byte 0 of the data buffer
    BYTE      Length;          // Byte 1 of the data buffer
    BYTE[64]  Data;            // Bytes 2 through 65 of the data buffer
}
```

Where:

- *Status* (byte 0) indicates the status code of a given IPMI command. See section 5.5.2.4.3.3, "IPMI Status Code," for more information.
- *Length* (byte 1) specifies the number of bytes of valid data that exists in the data buffer. Valid *Length* values are 0 through 64. Before the operation is carried out, this value represents the length of the request data buffer. Afterwards, this value represents the length of the result response data buffer.

- *Data* (bytes 2-65) represents a 64-byte buffer, and is the location where actual data is stored. Before the operation is carried out, this represents the actual request message payload. Afterwards, this represents the response message payload as returned by the IPMI command.

For example, the following ASL shows the use of the IPMI data buffer to carry out a command for a power function. This code is based on the example ASL presented in section 5.5.2.4.3.1, “Declaring IPMI Fields,” which lists the operation region and field definitions for relevant IPMI power metering commands.

```

/* Create the IPMI data buffer */

Name(BUFF, Buffer(66){})           // Create IPMI data buffer as BUFF
CreateByteField(BUFF, 0x00, STAT) // STAT = Status (Byte)
CreateByteField(BUFF, 0x01, LENG) // LENG = Length (Byte)
CreateByteField(BUFF, 0x02, MODE) // MODE = Mode (Byte)
CreateByteField(BUFF, 0x03, RESV) // RESV = Reserved (Byte)

Store(0x2, LENG)                  // Request message is 2 bytes long
Store(0x1, MODE)                  // Set Mode to 1

Store(Store(BUFF, GPMM), BUFF)    // Write the request into the GPMM command,
                                  // then read the results

CreateByteField(BUFF, 0x02, CMPC) // CMPC = Completion code (Byte)
CreateWordField(BUFF, 0x03, APOW) // APOW = Average power measurement (Word)

If(LAnd(LEqual(STAT, 0x0), LEqual(CMPC, 0x0))) // Successful?
{
    Return(APOW)                   // Return the average power measurement
}
Else
{
    Return(Ones)                   // Return invalid
}

```

Notice the use of the **CreateField** primitives to access the data buffer’s sub-elements (*Status*, *Length*, and *Data*), where *Data* (bytes 2-65) is ‘typecast’ into different fields (including the result completion code).

The example above demonstrates the use of the Store() operator and the bi-directional data buffer to invoke the actual IPMI command represented by the virtual register. The inner Store() writes the request message data buffer to the IPMI operation region handler, and invokes the command. The outer Store() takes the result of that command and writes it back into the data buffer, this time representing the response message.

### 5.5.2.4.3.3 IPMI Status Code

Every IPMI command results in a status code returned as the first byte of the response message, contained in the bi-directional data buffer. This status code can indicate success, various errors, and possibly timeout from the IPMI operation handler. This is necessary because it is possible for certain IPMI commands to take up to 5 seconds to carry out, and since an AML Store() operation is synchronous by nature, it is essential to make sure the IPMI operation returns in a timely fashion so as not to block the AML interpreter in the OSPM.

**Note:** This status code is different than the IPMI completion code, which is returned as the first byte of the response message in the data buffer payload. The completion code is described in the complete IPMI specification.

**Table 5-50 IPMI Status Codes**

Status Code	Name	Description
00h	IPMI OK	Indicates the command has been successfully completed.
07h	IPMI Unknown Failure	Indicates failure because of an unknown IPMI error.
10h	IPMI Command Operation Timeout	Indicates the operation timed out.

## 5.6 ACPI Event Programming Model

The ACPI event programming model is based on the SCI interrupt and General-Purpose Event (GPE) register. ACPI provides an extensible method to raise and handle the SCI interrupt, as described in this section.

### 5.6.1 ACPI Event Programming Model Components

The components of the ACPI event programming model are the following:

- OSPM
- FADT
- PM1a\_STS, PM1b\_STS and PM1a\_EN, PM1b\_EN fixed register blocks
- GPE0\_BLK and GPE1\_BLK register blocks
- GPE register blocks defined in GPE block devices
- SCI interrupt
- ACPI AML code general-purpose event model
- ACPI device-specific model events
- ACPI Embedded Controller event model

The role of each component in the ACPI event programming model is described in the following table.

**Table 5-51 ACPI Event Programming Model Components**

Component	Description
OSPM	Receives all SCI interrupts raised (receives all SCI events). Either handles the event or masks the event off and later invokes an OEM-provided control method to handle the event. Events handled directly by OSPM are fixed ACPI events; interrupts handled by control methods are general-purpose events.
FADT	Specifies the base address for the following fixed register blocks on an ACPI-compatible platform: PM1x_STS and PM1x_EN fixed registers and the GPEx_STS and GPEx_EN fixed registers.
PM1x_STS and PM1x_EN fixed registers	PM1x_STS bits raise fixed ACPI events. While a PM1x_STS bit is set, if the matching PM1x_EN bit is set, the ACPI SCI event is raised.
GPEx_STS and GPEx_EN fixed registers	GPEx_STS bits that raise general-purpose events. For every event bit implemented in GPEx_STS, there must be a comparable bit in GPEx_EN. Up to 256 GPEx_STS bits and matching GPEx_EN bits can be implemented. While a GPEx_STS bit is set, if the matching GPEx_EN bit is set, then the general-purpose SCI event is raised.

Component	Description
SCI interrupt	A level-sensitive, shareable interrupt mapped to a declared interrupt vector. The SCI interrupt vector can be shared with other low-priority interrupts that have a low frequency of occurrence.
ACPI AML code general-purpose event model	A model that allows OEM AML code to use GPE <sub>x</sub> _STS events. This includes using GPE <sub>x</sub> _STS events as “wake” sources as well as other general service events defined by the OEM (“button pressed,” “thermal event,” “device present/not present changed,” and so on).
ACPI device-specific model events	Devices in the ACPI namespace that have ACPI-specific device IDs can provide additional event model functionality. In particular, the ACPI embedded controller device provides a generic event model.
ACPI Embedded Controller event model	A model that allows OEM AML code to use the response from the Embedded Controller Query command to provide general-service event defined by the OEM.

## 5.6.2 Types of ACPI Events

At the ACPI hardware level, two types of events can be signaled by an SCI interrupt:

1. Fixed ACPI events
2. General-purpose events

In turn, the general-purpose events can be used to provide further levels of events to the system. And, as in the case of the embedded controller, a well-defined second-level event dispatching is defined to make a third type of typical ACPI event. For the flexibility common in today’s designs, two first-level general-purpose event blocks are defined, and the embedded controller construct allows a large number of embedded controller second-level event-dispatching tables to be supported. Then if needed, the OEM can also build additional levels of event dispatching by using AML code on a general-purpose event to sub-dispatch in an OEM defined manner.

### 5.6.3 Fixed Event Handling

When OSPM receives a fixed ACPI event, it directly reads and handles the event registers itself. The following table lists the fixed ACPI events. For a detailed specification of each event, see section 4, “ACPI Hardware Specification.”

**Table 5-52 Fixed ACPI Events**

Event	Comment
Power management timer carry bit set.	For more information, see the description of the TMR_STS and TMR_EN bits of the PM1x fixed register block in section 4.7.3.1, “PM1 Event Grouping,” as well as the TMR_VAL register in the PM_TMR_BLK in section 4.7.3.3, “Power Management Timer.”
Power button signal	<p>A power button can be supplied in two ways. One way is to simply use the fixed status bit, and the other uses the declaration of an ACPI power device and AML code to determine the event. For more information about the alternate-device based power button, see section 4.7.2.2.1.2, Control Method Power Button.”</p> <p>Notice that during the S0 state, both the power and sleep buttons merely notify OSPM that they were pressed.</p> <p>If the system does not have a sleep button, it is recommended that OSPM use the power button to initiate sleep operations as requested by the user.</p>
Sleep button signal	A sleep button can be supplied in one of two ways. One way is to simply use the fixed status button. The other way requires the declaration of an ACPI sleep button device and AML code to determine the event.
RTC alarm	ACPI-defines an RTC wake alarm function with a minimum of one-month granularity. The ACPI status bit for the device is optional. If the ACPI status bit is not present, the RTC status can be used to determine when an alarm has occurred. For more information, see the description of the RTC_STS and RTC_EN bits of the PM1x fixed register block in section 4.7.3.1, “PM1 Event Grouping.”
Wake status	The wake status bit is used to determine when the sleeping state has been completed. For more information, see the description of the WAK_STS and WAK_EN bits of the PM1x fixed register block in section 4.7.3.1, “PM1 Event Grouping.”
System bus master request	The bus-master status bit provides feedback from the hardware as to when a bus master cycle has occurred. This is necessary for supporting the processor C3 power savings state. For more information, see the description of the BM_STS bit of the PM1x fixed register block in section 4.7.3.1, “PM1 Event Grouping.”
Global release status	This status is raised as a result of the Global Lock protocol, and is handled by OSPM as part of Global Lock synchronization. For more information, see the description of the GBL_STS bit of the PM1x fixed register block in section 4.7.3.1, “PM1 Event Grouping.” For more information on Global Lock, see section 5.2.10.1, “Global Lock.”

## 5.6.4 General-Purpose Event Handling

When OSPM receives a general-purpose event, it either passes control to an ACPI-aware driver, or uses an OEM-supplied control method to handle the event. An OEM can implement up to 128 general-purpose event inputs in hardware per GPE block, each as either a level or edge event. It is also possible to implement a single 256-pin block as long as it's the only block defined in the system.

An example of a general-purpose event is specified in section 4, “ACPI Hardware Specification,” where EC\_STS and EC\_EN bits are defined to enable OSPM to communicate with an ACPI-aware embedded controller device driver. The EC\_STS bit is set when either an interface in the embedded controller space has generated an interrupt or the embedded controller interface needs servicing. Notice that if a platform uses an embedded controller in the ACPI environment, then the embedded controller's SCI output must be directly and exclusively tied to a single GPE input bit.

Hardware can cascade other general-purpose events from a bit in the GPEX\_BLK through status and enable bits in Operational Regions (I/O space, memory space, PCI configuration space, or embedded controller space). For more information, see the specification of the General-Purpose Event Blocks (GPEX\_BLK) in section 4.7.4.1, “General-Purpose Event Register Blocks.”

OSPM manages the bits in the GPEX blocks directly, although the source to those events is not directly known and is connected into the system by control methods. When OSPM receives a general-purpose event (the event is from a GPEX\_BLK STS bit), OSPM does the following:

1. Disables the interrupt source (GPEX\_BLK EN bit).
2. If an edge event, clears the status bit.
3. Performs one of the following:
  - Dispatches to an ACPI-aware device driver.
  - Queues the matching control method for execution.
  - Manages a wake event using device \_PRW objects.
4. If a level event, clears the status bit.
5. Enables the interrupt source.

For OSPM to manage the bits in the GPEX\_BLK blocks directly:

- Enable bits must be read/write.
- Status bits must be latching.
- Status bits must be read/clear, and cleared by writing a “1” to the status bit.

### 5.6.4.1 \_Exx, \_Lxx, and \_Qxx Methods for GPE Processing

The OEM AML code can perform OEM-specific functions custom to each event the particular platform might generate by executing a control method that matches the event. For GPE events, OSPM will execute the control method of the name `\_GPE._TXX` where *XX* is the hex value format of the event that needs to be handled and *T* indicates the event handling type (*T* must be either ‘E’ for an *edge* event or ‘L’ for a *level* event). The event values for status bits in GPE0\_BLK start at zero (`_T00`) and end at the  $(\text{GPE0\_BLK\_LEN} / 2) - 1$ . The event values for status bits in GPE1\_BLK start at `GPE1\_BASE` and end at  $\text{GPE1\_BASE} + (\text{GPE1\_BLK\_LEN} / 2) - 1$ . `GPE0\_BLK\_LEN`, `GPE1\_BASE`, and `GPE1\_BLK\_LEN` are all defined in the FADT.

The `_Qxx` methods are used for the Embedded Controller and SMBus (below.)

### 5.6.4.1.1 Queuing the Matching Control Method for Execution

When a general-purpose event is raised, OSPM uses a naming convention to determine which control method to queue for execution and how the GPE EOI is to be handled. The GPE<sub>x</sub>\_STS bits in the GPE<sub>x</sub>\_BLK are indexed with a number from 0 through FF. The name of the control method to queue for an event raised from an enable status bit is always of the form `\_GPE._Txx` where *xx* is the event value and *T* indicates the event EOI protocol to use (either 'E' for edge triggered, or 'L' for level triggered). The event values for status bits in GPE0\_BLK start at zero (`_T00`), end at the  $(\text{GPE0\_BLK\_LEN} / 2) - 1$ , and correspond to each status bit index within GPE0\_BLK. The event values for status bits in GPE1\_BLK are offset by GPE\_BASE and therefore start at GPE1\_BASE and end at  $\text{GPE1\_BASE} + (\text{GPE1\_BLK\_LEN} / 2) - 1$ .

For example, suppose an OEM supplies a wake event for a communications port and uses bit 4 of the GPE0\_STS bits to raise the wake event status. In an OEM-provided Definition Block, there must be a Method declaration that uses the name `\_GPE._L04` or `\_GPE._E04` to handle the event. An example of a control method declaration using such a name is the following:

```
Method (\_GPE._L04) {                // GPE 4 level wake handler
    Notify (\_SB.PCIO.COM0, 2)
}
```

The control method performs whatever action is appropriate for the event it handles. For example, if the event means that a device has appeared in a slot, the control method might acknowledge the event to some other hardware register and signal a change notify request of the appropriate device object. Or, the cause of the general-purpose event can result from more than one source, in which case the control method for that event determines the source and takes the appropriate action.

When a general-purpose event is raised from the GPE bit tied to an embedded controller, the embedded controller driver uses another naming convention defined by ACPI for the embedded controller driver to determine which control method to queue for execution. The queries that the embedded controller driver exchanges with the embedded controller are numbered from 0 through FF, yielding event codes 01 through FF. (A query response of 0 from the embedded controller is reserved for “no outstanding events.”) The name of the control method to queue is always of the form `_Qxx` where *xx* is the number of the query acknowledged by the embedded controller. An example declaration for a control method that handles an embedded controller query is the following:

```
Method(_Q34) {                      // embedded controller event for thermal
    Notify (\_SB.TZ0.THM1, 0x80)
}
```

When an SMBus alarm is handled by the SMBus driver, the SMBus driver uses a similar naming convention defined by ACPI for the driver to determine the control method to queue for execution. When an alarm is received by the SMBus host controller, it generally receives the SMBus address of the device issuing the alarm and one word of data. On implementations that use SMBALERT# for notifications, only the device address will be received. The name of the control method to queue is always of the form `_Qxx` where *xx* is the SMBus address of the device that issued the alarm. The SMBus address is 7 bits long corresponding to hex values 0 through 7F, although some addresses are reserved and will not be used. The control method will always be queued with one argument that contains the word of data received with the alarm. An exception is the case of an SMBus using SMBALERT# for notifications, in this case the argument will be 0. An example declaration for a control method that handles a SMBus alarm follows:



```

Method(_Q18, 1) {          // Thermal sensor device at address 0011 000

    // Arg0 contains notification value (if any)
    // Arg0 = 0 if device supports only SMBALERT#

    Notify (\_SB.TZ0.THM1, 0x80)
}

```

#### 5.6.4.1.2 Dispatching to an ACPI-Aware Device Driver

Certain device support, such as an embedded controller, requires a dedicated GPE to service the device. Such GPEs are dispatched to native OS code to be handled and not to the corresponding GPE-specific control method.

In the case of the embedded controller, an OS-native, ACPI-aware driver is given the GPE event for its device. This driver services the embedded controller device and determines when events are to be reported by the embedded controller by using the Query command. When an embedded controller event occurs, the ACPI-aware driver dispatches the requests to other ACPI-aware drivers that have registered to handle the embedded controller queries or queues control methods to handle each event. If there is no device driver to handle specific queries, OEM AML code can perform OEM-specific functions that are customized to each event on the particular platform by including specific control methods in the namespace to handle these events. For an embedded controller event, OSPM will queue the control method of the name `_QXX`, where `XX` is the hex format of the query code. Notice that each embedded controller device can have query event control methods.

Similarly, for an SMBus driver, if no driver registers for SMBus alarms, the SMBus driver will queue control methods to handle these. Methods must be placed under the SMBus device with the name `_QXX` where `XX` is the hex format of the SMBus address of the device sending the alarm.

#### 5.6.4.2 GPE Wake Events

An important use of the general-purpose events is to implement device wake events. The components of the ACPI event programming model interact in the following way:

- When a device asserts its wake signal, the general-purpose status event bit used to track that device is set.
- While the corresponding general-purpose enable bit is enabled, the SCI interrupt is asserted.
- If the system is sleeping, this will cause the hardware, if possible, to transition the system into the S0 state.
- Once the system is running, OSPM will dispatch the corresponding GPE handler.
- The handler needs to determine which device object has signaled wake and performs a wake Notify command on the corresponding device object(s) that have asserted wake.
- In turn OSPM will notify OSPM native driver(s) for each device that will wake its device to service it.

Events that wake may not be intermixed with non-wake (runtime) events on the same GPE input. The only exception to this rule is made for the special devices below. Only the following devices are allowed to utilize a single GPE for both wake and runtime events:

##### 1) Button Devices

- PNP0C0C — Power Button Device
- PNP0C0D — Lid Device
- PNP0C0E — Sleep Button Device

##### 2) PCI Bus Wakeup Event Reporting (PME)

- PNP0A03 — PCI Host Bridge

All wake events that are not exclusively tied to a GPE input (for example, one input is shared for multiple wake events) must have individual enable and status bits in order to properly handle the semantics used by the system.

#### 5.6.4.2.1 Managing a Wake Event Using Device `_PRW` Objects

A device's `_PRW` object provides the zero-based bit index into the general-purpose status register block to indicate which general-purpose status bit from either `GPE0_BLK` or `GPE1_BLK` is used as the specific device's wake mask. Although the hardware must maintain individual device wake enable bits, the system can have multiple devices using the same general-purpose event bit by using OEM-specific hardware to provide second-level status and enable bits. In this case, the OEM AML code is responsible for the second-level enable and status bits.

OSPM enables or disables the device wake function by enabling or disabling its corresponding GPE and by executing its `_PSW` control method (which is used to take care of the second-level enables). When the GPE is asserted, OSPM still executes the corresponding GPE control method that determines which device wakes are asserted and notifies the corresponding device objects. The native OS driver is then notified that its device has asserted wake, for which the driver powers on its device to service it.

If the system is in a sleeping state when the enabled GPE bit is asserted the hardware will transition the system into the `S0` state, if possible.

#### 5.6.4.2.2 Determining the System Wake Source Using `_Wxx` Control Methods

After a transition to the `S0` state, OSPM may evaluate the `_SWS` object in the `\_GPE` scope to determine the index of the GPE that was the source of the transition event. When a single GPE is shared among multiple devices, the platform provides a `_Wxx` control method, where `xx` is GPE index as described in Section 5.6.2.2.3, that allows the source device of the transition to be determined. If implemented, the `_Wxx` control method must exist in the `\_GPE` scope or in the scope of a GPE block device.

If `_Wxx` is implemented, either hardware or firmware must detect and save the source device as described in Section 7.3.5, “`_SWS` (System Wake Source)”. During invocation, the `_Wxx` control method determines the source device and issues a **Notify**(<device>,0x2) on the device that caused the system to transition to the `S0` state. If the device uses a bus-specific method of arming for wakeup, then the **Notify** must be issued on the parent of the device that has a `_PRW` method. The `_Wxx` method must issue a **Notify**(<device>,0x2) only to devices that contain a `_PRW` method within their device scope. OSPM's evaluation of the `_SWS` and `_Wxx` objects is indeterminate. As such, the platform must not rely on `_SWS` or `_Wxx` evaluation to clear any hardware state, including `GPEx_STS` bits, or to perform any wakeup-related actions.

If the GPE index returned by the `_SWS` object is only referenced by a single `_PRW` object in the system, it is implied that the device containing that `_PRW` is the wake source. In this case, it is not necessary for the platform to provide a `_Wxx` method.

### 5.6.5 Device Object Notifications

During normal operation, the platform needs to notify OSPM of various device-related events. These notifications are accomplished using the **Notify** operator, which indicates a target device, thermal zone, or processor object and a notification value that signifies the purpose of the notification. Notification values from 0 through 0x7F are common across all device object types. Notification values of 0xC0 and above are reserved for definition by hardware vendors for hardware specific notifications. Notification values from 0x80 to 0xBF are device-specific and defined by each such device. For more information on the **Notify** operator, see section 18.5.85, “**Notify** (Notify).”

Table 5-53 Device Object Notification Values

Value	Description
0	<b>Bus Check.</b> This notification is performed on a device object to indicate to OSPM that it needs to perform a Plug and Play re-enumeration operation on the device tree starting from the point where it has been notified. OSPM will typically perform a full enumeration automatically at boot time, but after system initialization it is the responsibility of the ACPI AML code to notify OSPM whenever a re-enumeration operation is required. The more accurately and closer to the actual change in the device tree the notification can be done, the more efficient the operating system's response will be; however, it can also be an issue when a device change cannot be confirmed. For example, if the hardware cannot recognize a device change for a particular location during a system sleeping state, it issues a Bus Check notification on wake to inform OSPM that it needs to check the configuration for a device change.
1	<b>Device Check.</b> Used to notify OSPM that the device either appeared or disappeared. If the device has appeared, OSPM will re-enumerate from the parent. If the device has disappeared, OSPM will invalidate the state of the device. OSPM may optimize out re-enumeration. If <code>_DCK</code> is present, then <code>Notify(object,1)</code> is assumed to indicate an undock request. If the device is a bridge, OSPM may re-enumerate the bridge and the child bus.
2	<b>Device Wake.</b> Used to notify OSPM that the device has signaled its wake event, and that OSPM needs to notify OSPM native device driver for the device. This is only used for devices that support <code>_PRW</code> .
3	<b>Eject Request.</b> Used to notify OSPM that the device should be ejected, and that OSPM needs to perform the Plug and Play ejection operation. OSPM will run the <code>_EJx</code> method.
4	<b>Device Check Light.</b> Used to notify OSPM that the device either appeared or disappeared. If the device has appeared, OSPM will re-enumerate from the device itself, not the parent. If the device has disappeared, OSPM will invalidate the state of the device.
5	<b>Frequency Mismatch.</b> Used to notify OSPM that a device inserted into a slot cannot be attached to the bus because the device cannot be operated at the current frequency of the bus. For example, this would be used if a user tried to hot-plug a 33 MHz PCI device into a slot that was on a bus running at greater than 33 MHz.
6	<b>Bus Mode Mismatch.</b> Used to notify OSPM that a device has been inserted into a slot or bay that cannot support the device in its current mode of operation. For example, this would be used if a user tried to hot-plug a PCI device into a slot that was on a bus running in PCI-X mode.
7	<b>Power Fault.</b> Used to notify OSPM that a device cannot be moved out of the D3 state because of a power fault.
8	<b>Capabilities Check.</b> This notification is performed on a device object to indicate to OSPM that it needs to re-evaluate the <code>_OSC</code> control method associated with the device.
9	<b>Device <code>_PLD</code> Check.</b> Used to notify OSPM to reevaluate the <code>_PLD</code> object, as the Device's connection point has changed.
0xA	<b>Reserved.</b>
0xB	<b>System Locality Information Update.</b> Dynamic reconfiguration of the system may cause existing relative distance information to change. The platform sends the System Locality Information Update notification to a point on a device tree to indicate to OSPM that it needs to invoke the <code>_SLI</code> objects associated with the System Localities on the device tree starting from the point notified.

Value	Description
0x0C-0x7F	<i>Reserved.</i>

Below are the notification values defined for specific ACPI devices. For more information concerning the object-specific notification, see the section on the corresponding device/object.

**Table 5-54 Control Method Battery Device Notification Values**

Hex value	Description
0x80	<b>Battery Status Changed.</b> Used to notify OSPM that the Control Method Battery device status has changed.
0x81	<b>Battery Information Changed.</b> Used to notify OSPM that the Control Method Battery device information has changed. This only occurs when a battery is replaced.
0x82	<b>Battery Maintenance Data Status Flags Check.</b> Used to notify OSPM that the Control Method Battery device battery maintenance data status flags should be checked.
0x83-0xBF	<i>Reserved.</i>

**Table 5-55 Power Source Object Notification Values**

Hex value	Description
0x80	<b>Power Source Status Changed.</b> Used to notify OSPM that the power source status has changed.
0x81	<b>Power Source Information Changed.</b> Used to notify OSPM that the power source information has changed.
0x82-0xBF	<i>Reserved.</i>

**Table 5-56 Thermal Zone Object Notification Values**

Hex value	Description
0x80	<b>Thermal Zone Status Changed.</b> Used to notify OSPM that the thermal zone temperature has changed.
0x81	<b>Thermal Zone Trip points Changed.</b> Used to notify OSPM that the thermal zone trip points have changed.
0x82	<b>Device Lists Changed.</b> Used to notify OSPM that the thermal zone device lists (_ALx, _PSL, _TZD) have changed.
0x83	<b>Thermal / Active Cooling Relationship Table Changed.</b> Used to notify OSPM that values in the either the thermal relationship table or the active cooling relationship table have changed.
0x84-0xBF	<i>Reserved.</i>

**Table 5-57 Control Method Power Button Notification Values**

Hex value	Description
0x80	<b>S0 Power Button Pressed.</b> Used to notify OSPM that the power button has been pressed while the system is in the S0 state. Notice that when the button is pressed while the system is in the S1-S4 state, a Device Wake notification must be issued instead.
0x81-0xBF	<b>Reserved.</b>

**Table 5-58 Control Method Sleep Button Notification Values**

Hex value	Description
0x80	<b>S0 Sleep Button Pressed.</b> Used to notify OSPM that the sleep button has been pressed while the system is in the S0 state. Notice that when the button is pressed while the system is in the S1-S4 state, a Device Wake notification must be issued instead.
0x81-0xBF	<b>Reserved.</b>

**Table 5-59 Control Method Lid Notification Values**

Hex value	Description
0x80	<b>Lid Status Changed.</b> Used to notify OSPM that the control method lid device status has changed.
0x81-0xBF	<b>Reserved.</b>

**Table 5-60 Processor Device Notification Values**

Hex value	Description
0x80	<b>Performance Present Capabilities Changed.</b> Used to notify OSPM that the number of supported processor performance states has changed. This notification causes OSPM to re-evaluate the <code>_PPC</code> object. See section 8, “Processor Configuration and Control,” for more information.
0x81	<b>C States Changed.</b> Used to notify OSPM that the number or type of supported processor C States has changed. This notification causes OSPM to re-evaluate the <code>_CST</code> object. See section 8, “Processor Configuration and Control,” for more information.
0x82	<b>Throttling Present Capabilities Changed.</b> Used to notify OSPM that the number of supported processor throttling states has changed. This notification causes OSPM to re-evaluate the <code>_TPC</code> object. See section 8, “Processor Configuration and Control,” for more information.
0x83-0xBF	<b>Reserved.</b>

**Table 5-61 User Presence Device Notification Values**

Hex value	Description
0x80	<b>User Presence Changed.</b> Used to notify OSPM that a meaningful change in user presence has occurred, causing OSPM to re-evaluate the <code>_UPD</code> object.
0x81-0xBF	<b>Reserved.</b>

**Table 5-62 Ambient Light Sensor Device Notification Values**

Hex value	Description
0x80	<b>ALS Illuminance Changed.</b> Used to notify OSPM that a meaningful change in ambient light illuminance has occurred, causing OSPM to re-evaluate the _ALI object.
0x81	<b>ALS Color Temperature Changed.</b> Used to notify OSPM that a meaningful change in ambient light color temperature or chromaticity has occurred, causing OSPM to re-evaluate the _ALT and/or _ALC objects.
0x82	<b>ALS Response Changed.</b> Used to notify OSPM that the set of points used to convey the ambient light response has changed, causing OSPM to re-evaluate the _ALR object.
0x83-0xBF	<b>Reserved.</b>

**Table 5-63 Power Meter Object Notification Values**

Hex value	Description
0x80	<b>Power Meter Capabilities Changed.</b> Used to notify OSPM that the power meter information has changed.
0x81	<b>Power Meter Trip Points Crossed.</b> Used to notify OSPM that one of the power meter trip points has been crossed.
0x82	<b>Power Meter Hardware Limit Changed.</b> Used to notify OSPM that the hardware limit has been changed by the platform.
0x83	<b>Power Meter Hardware Limit Enforced.</b> Used to notify OSPM that the hardware limit has been enforced by the platform.
0x84	<b>Power Meter Averaging Interval Changed.</b> Used to notify OSPM that the power averaging interval has changed.
0x85-0xBF	<b>Reserved.</b>

**Table 5-64 Fan Device Notification Values**

Hex value	Description
0x80	<b>Low Fan Speed.</b> Used to notify OSPM of a low (errant) fan speed. Causes OSPM to re-evaluate the _FSL object.
0x81-0xBF	<b>Reserved.</b>

**Table 5-65 Memory Device Notification Values**

Hex value	Description
0x80	<b>Memory Bandwidth Low Threshold crossed.</b> Used to notify OSPM that bandwidth of memory described by the memory device has been reduced by the platform to less than the low memory bandwidth threshold.
0x81	<b>Memory Bandwidth High Threshold crossed.</b> Used to notify OSPM that bandwidth of memory described by the memory device has been increased by the platform to greater than or equal to the high memory bandwidth threshold.
0x82-0xBF	<b>Reserved.</b>

## 5.6.6 Device Class-Specific Objects

Most device objects are controlled through generic objects and control methods and they have generic device IDs. These generic objects, control methods, and device IDs are specified in sections 6, 7, 8, 9, 10, and 11. Section 5.6.7, “Predefined ACPI Names for Objects, Methods, and Resources,” lists all the generic objects and control methods defined in this specification.

However, certain integrated devices require support for some device-specific ACPI controls. This section lists these devices, along with the device-specific ACPI controls that can be provided.

Some of these controls are for ACPI-aware devices and as such have Plug and Play IDs that represent these devices. The table below lists the Plug and Play IDs defined by the ACPI specification.

**Note:** Plug and Play IDs that are not defined by the ACPI specification are defined and described in the following document:

[http://download.microsoft.com/download/5/7/7/577a5684-8a83-43ae-9272-ff260a9c20e2/pnp\\_legacy.doc](http://download.microsoft.com/download/5/7/7/577a5684-8a83-43ae-9272-ff260a9c20e2/pnp_legacy.doc)

**Table 5-66 ACPI Device IDs**

<b>Plug and Play ID</b>	<b>Description</b>
PNP0C08	<b>ACPI.</b> Not declared in ACPI as a device. This ID is used by OSPM for the hardware resources consumed by the ACPI fixed register spaces, and the operation regions used by AML code. It represents the core ACPI hardware itself.
PNP0A05	<b>Generic Container Device.</b> A device whose settings are totally controlled by its ACPI resource information, and otherwise needs no device or bus-specific driver support. This was originally known as Generic ISA Bus Device. This ID should only be used for containers that do not produce resources for consumption by child devices. Any system resources claimed by a PNP0A05 device’s _CRS object must be consumed by the container itself.
PNP0A06	<b>Generic Container Device.</b> This device behaves exactly the same as the PNP0A05 device. This was originally known as Extended I/O Bus. This ID should only be used for containers that do not produce resources for consumption by child devices. Any system resources claimed by a PNP0A06 device’s _CRS object must be consumed by the container itself.
PNP0C09	<b>Embedded Controller Device.</b> A host embedded controller controlled through an ACPI-aware driver.
PNP0C0A	<b>Control Method Battery.</b> A device that solely implements the ACPI Control Method Battery functions. A device that has some other primary function would use its normal device ID. This ID is used when the devices primary function is that of a battery.
PNP0C0B	<b>Fan.</b> A device that causes cooling when “on” (D0 device state).
PNP0C0C	<b>Power Button Device.</b> A device controlled through an ACPI-aware driver that provides power button functionality. This device is only needed if the power button is not supported using the fixed register space.
PNP0C0D	<b>Lid Device.</b> A device controlled through an ACPI-aware driver that provides lid status functionality. This device is only needed if the lid state is not supported using the fixed register space.

<b>Plug and Play ID</b>	<b>Description</b>
PNP0C0E	<b>Sleep Button Device.</b> A device controlled through an ACPI-aware driver that provides power button functionality. This device is optional.
PNP0C0F	<b>PCI Interrupt Link Device.</b> A device that allocates an interrupt connected to a PCI interrupt pin. See section 6., “Device Configuration,” for more details.
PNP0C80	<b>Memory Device.</b> This device is a memory subsystem.
ACPI0001	<b>SMBus 1.0 Host Controller.</b> An SMBus host controller (SMB-HC) compatible with the embedded controller-based SMB-HC interface (as specified in section 12.9, “SMBus Host Controller Interface via Embedded Controller”) and implementing the SMBus 1.0 Specification.
ACPI0002	<b>Smart Battery Subsystem.</b> The Smart battery Subsystem specified in section 10, “Power Source Devices.”
ACPI0003	<b>Power Source Device.</b> The Power Source device specified in section 10, “Power Source Devices.” This can represent either an AC Adapter (on mobile platforms) or a fixed Power Supply.
ACPI0004	<b>Module Device.</b> This device is a container object that acts as a bus node in a namespace. A Module Device without any of the _CRS, _PRS and _SRS methods behaves the same way as the Generic Container Devices (PNP0A05 or PNP0A06). If the Module Device contains a _CRS method, only these resources described in the _CRS are available for consumption by its child devices. Also, the Module Device can support _PRS and _SRS methods if _CRS is supported.
ACPI0005	<b>SMBus 2.0 Host Controller.</b> An SMBus host controller (SMB-HC compatible with the embedded controller-based SMB-HC interface (as specified in section 12.9, “SMBus Host Controller Interface via Embedded Controller”) and implementing the SMBus 2.0 Specification.
ACPI0006	<b>GPE Block Device.</b> This device allows a system designer to describe GPE blocks beyond the two that are described in the FADT.
ACPI0007	<b>Processor Device.</b> This device provides an alternative to declaring processors using the <b>Processor</b> ASL statement. See section 8.4, “Declaring Processors”, for more details.
ACPI0008	<b>Ambient Light Sensor Device.</b> This device is an ambient light sensor. See section 9.2, “Ambient Light Sensor Device”.
ACPI0009	<b>I/OxAPIC Device.</b> This device is an I/O unit that complies with both the APIC and SAPIC interrupt models.
ACPI000A	<b>I/O APIC Device.</b> This device is an I/O unit that complies with the APIC interrupt model.
ACPI000B	<b>I/O SAPIC Device.</b> This device is an I/O unit that complies with the SAPIC interrupt model.
ACPI000C	<b>Processor Aggregator Device.</b> This device provides a control point for all processors in the platform. See section 8.5, “Processor Aggregator Device”.
ACPI000D	<b>Power Meter Device.</b> This device is a power meter. See section 10.4. “Power Meters”.
ACPI000E	<b>Wake Alarm Device.</b> This device is a control method-based wake alarm. See section 9.18. “Wake Alarm Device”.



### 5.6.7 Predefined ACPI Names for Objects, Methods, and Resources

The following table summarizes the predefined names for the ACPI namespace objects, control methods, and resource descriptor fields defined in this specification. Provided for each name is a short description and a reference to the section number and page number of the actual definition of the name. ACPI names that are predefined by other specifications are also listed along with their corresponding specification reference.

**Note:** All names that begin with an underscore are reserved for ACPI use only.

**Table 5-67 Predefined ACPI Names**

Name	Description	Section	Page
_ACx	<i><b>A</b>ctive <b>C</b>ooling</i> – returns the active cooling policy threshold values.	11.4.1	422
_ADR	<i><b>A</b>ddress</i> – (1) returns the address of a device on its parent bus. (2) returns a unique ID for the display output device. (3) resource descriptor field.	6.1.1 B.6.1 18.1.8	200 704 552
_ALC	<i><b>A</b>mbient <b>L</b>ight <b>C</b>hromaticity</i> – returns the ambient light color chromaticity.	9.2.4	337
_ALI	<i><b>A</b>mbient <b>L</b>ight <b>I</b>lluminance</i> – returns the ambient light brightness.	9.2.2	337
_ALN	<i><b>A</b>lignment</i> – base alignment, resource descriptor field.	18.1.8	552
_ALP	<i><b>A</b>mbient <b>L</b>ight <b>P</b>olling</i> – returns the ambient light sensor polling frequency.	9.2.6	342
_ALR	<i><b>A</b>mbient <b>L</b>ight <b>R</b>esponse</i> – returns the ambient light brightness to display brightness mappings.	9.2.5	338
_ALT	<i><b>A</b>mbient <b>L</b>ight <b>T</b>emperature</i> – returns the ambient light color temperature.	9.2.3	337
_ALx	<i><b>A</b>ctive <b>L</b>ist</i> – returns a list of active cooling device objects.	11.4.2	422
_ART	<i><b>A</b>ctive cooling <b>R</b>elationship <b>T</b>able</i> – returns thermal relationship information between platform devices and fan devices.	11.4.3	423
_ASI	<i><b>A</b>ddress <b>S</b>pace <b>I</b>d</i> – resource descriptor field.	18.1.8	552
_ASZ	<i><b>A</b>ccess <b>S</b>ize</i> – resource descriptor field.	18.1.8	552
_ATT	<i><b>T</b>ype-Specific <b>A</b>tttribute</i> – resource descriptor field.	18.1.8	552
_BAS	<i><b>B</b>ase <b>A</b>ddress</i> – range base address, resource descriptor field.	18.1.8	552
_BBN	<i><b>B</b>ios <b>B</b>us <b>N</b>umber</i> – returns the PCI bus number returned by the BIOS.	6.5.5	279
_BCL	<i><b>B</b>rightness <b>C</b>ontrol <b>L</b>evels</i> – returns a list of supported brightness control levels.	B.6.2	704
_BCM	<i><b>B</b>rightness <b>C</b>ontrol <b>M</b>ethod</i> – sets the brightness level of the display device.	B.6.3	704
_BCT	<i><b>B</b>attery <b>C</b>harge <b>T</b>ime</i> – returns time remaining to complete charging battery.	10.2.2.9	395
_BDN	<i><b>B</b>ios <b>D</b>ock <b>N</b>ame</i> – returns the Dock ID returned by the BIOS.	6.5.3	277
_BFS	<i><b>B</b>ack <b>F</b>rom <b>S</b>leep</i> – inform AML of a wake event.	7.3.1	296
_BIF	<i><b>B</b>attery <b>I</b>nformation</i> – returns a Control Method Battery information block.	10.2.2.1	387
_BIX	<i><b>B</b>attery <b>I</b>nformation <b>E</b>xtended</i> – returns a Control Method Battery extended information block.	10.2.2.2	388
_BLT	<i><b>B</b>attery <b>L</b>evel <b>T</b>hreshold</i> – set battery level threshold preferences.	9.1.3	335
_BM	<i><b>B</b>us <b>M</b>aster</i> – resource descriptor field.	18.1.8	552

**Table 5-67 Predefined ACPI Names**

Name	Description	Section	Page
_BMA	<u>B</u> attery <u>M</u> easurement <u>A</u> veraging Interval – Sets battery measurement averaging interval.	10.2.2.4	392
_BMC	<u>B</u> attery <u>M</u> aintenance <u>C</u> ontrol – Sets battery maintenance and control features.	10.2.2.11	397
_BMD	<u>B</u> attery <u>M</u> aintenance <u>D</u> ata – returns battery maintenance, control, and state data.	10.2.2.10	395
_BMS	<u>B</u> attery <u>M</u> easurement <u>S</u> ampling Time – Sets the battery measurement sampling time.	10.2.2.5	392
_BQC	<u>B</u> rightness <u>Q</u> uery <u>C</u> urrent – returns the current display brightness level.	B.6.4	705
_BST	<u>B</u> attery <u>S</u> tatus – returns a Control Method Battery status block.	10.2.2.6	393
_BTM	<u>B</u> attery <u>T</u> ime – returns the battery runtime.	10.2.2.8	394
_BTP	<u>B</u> attery <u>T</u> rip <u>P</u> oint – sets a Control Method Battery trip point.	10.2.2.7	394
_CBA	<u>C</u> onfiguration <u>B</u> ase <u>A</u> ddress – sets the CBA for a PCI Express host bridge. See the PCI Firmware Specification, Revision 3.0 at <a href="http://pcisig.com">http://pcisig.com</a>		
_CDM	<u>C</u> lock <u>D</u> omain – returns a logical processor's clock domain identifier.	6.2.1	211
_CID	<u>C</u> ompatible <u>I</u> D – returns a device's Plug and Play Compatible ID list.	6.1.2	201
_CRS	<u>C</u> urrent <u>R</u> esource <u>S</u> ettings – returns the current resource settings for a device.	6.2.2	212
_CRT	<u>C</u> ritical <u>T</u> emperature – returns the shutdown critical temperature.	11.4.4	425
_CSD	<u>C</u> State <u>D</u> ependencies – returns a list of C-state dependencies.	8.4.2.2	318
_CST	<u>C</u> States – returns a list of supported C-states.	8.4.2.1	316
_DCK	<u>D</u> ock – sets docking isolation. Presence indicates device is a docking station.	6.5.2	277
_DCS	<u>D</u> isplay <u>C</u> urrent <u>S</u> tatus – returns status of the display output device.	B.6.6	705
_DDC	<u>D</u> isplay <u>D</u> ata <u>C</u> urrent – returns the EDID for the display output device.	B.6.5	705
_DDN	<u>D</u> os <u>D</u> evice <u>N</u> ame – returns a device logical name.	6.1.3	201
_DEC	<u>D</u> ecode – device decoding type, resource descriptor field.	18.1.8	552
_DGS	<u>D</u> isplay <u>G</u> raphics <u>S</u> tate – return the current state of the output device.	B.6.7	706
_DIS	<u>D</u> isable – disables a device.	6.2.3	212
_DMA	<u>D</u> irect <u>M</u> emory <u>A</u> ccess – returns a device's current resources for DMA transactions.	6.2.4	212
_DOD	<u>D</u> isplay <u>O</u> utput <u>D</u> evelopments – enumerate all devices attached to the display adapter.	B.4.2	698
_DOS	<u>D</u> isable <u>O</u> utput <u>S</u> witching – sets the display output switching mode.	B.4.1	697
_DSM	<u>D</u> evice <u>S</u> pecific <u>M</u> ethod – executes device-specific functions.	9.14.1	366
_DSS	<u>D</u> evice <u>S</u> et <u>S</u> tate – sets the display device state.	B.6.8	706
_DSW	<u>D</u> evice <u>S</u> leep <u>W</u> ake – sets the sleep and wake transition states for a device.	7.2.1	287
_DTI	<u>D</u> evice <u>T</u> emperature <u>I</u> ndication – conveys native device temperature to the platform.	11.4.5	425
_Exx	<u>E</u> dge <u>G</u> PE – method executed as a result of a general-purpose event.	5.6.4.1	175
_EC	<u>E</u> MBEDDED <u>C</u> ONTROLLER – returns EC offset and query information.	12.12	463

Table 5-67 Predefined ACPI Names

Name	Description	Section	Page
_EDL	<u>Eject Device List</u> – returns a list of devices that are dependent on a device (docking).	6.3.1	241
_EJD	<u>Ejection Dependent Device</u> – returns the name of dependent (parent) device (docking).	6.3.2	241
_EJx	<u>Eject</u> – begin or cancel a device ejection request (docking).	6.3.3	243
_FDE	<u>Floppy Disk Enumerate</u> – returns floppy disk configuration information.	9.9.1	350
_FDI	<u>Floppy Drive Information</u> – returns a floppy drive information block.	9.9.2	351
_FDM	<u>Floppy Drive Mode</u> – sets a floppy drive speed.	9.9.3	352
_FIF	<u>Fan Information</u> – returns fan device information.	11.3.1.1	417
_FIX	<u>Fixed Register Resource Provider</u> – returns a list of devices that implement FADT register blocks.	6.2.5	215
_FPS	<u>Fan Performance States</u> – returns a list of supported fan performance states.	11.3.1.2	418
_FSL	<u>Fan Set Level</u> – Control method that sets the fan device’s speed level (performance state).	11.3.1.3	420
_FST	<u>Fan Status</u> – returns current status information for a fan device.	11.3.1.4	420
_GAI	<u>Get Averaging Interval</u> – returns the power meter averaging interval.	10.4.5	403
_GHL	<u>Get Hardware Limit</u> – returns the hardware limit enforced by the power meter.	10.4.7	404
_GL	<u>Global Lock</u> – OS-defined Global Lock mutex object.	5.7.1	193
_GLK	<u>Global Lock</u> – returns a device’s Global Lock requirement for device access.	6.5.7	281
_GPD	<u>Get Post Data</u> – returns the value of the VGA device that will be posted at boot.	B.4.4	702
_GPE	<u>General Purpose Events</u> – (1) predefined Scope (\_GPE.) (2) Returns the SCI interrupt associated with the Embedded Controller.	5.3.1 12.11	162 462
_GRA	<u>Granularity</u> – address space granularity, resource descriptor field.	18.1.8	552
_GSB	<u>Global System Interrupt Base</u> – returns the GSB for a I/O APIC device.	6.2.6	216
_GTF	<u>Get Task File</u> – returns a list of ATA commands to restore a drive to default state.	9.8.1.1	345
_GTM	<u>Get Timing Mode</u> – returns a list of IDE controller timing information.	9.8.2.1.1	347
_GTS	<u>Going To Sleep</u> – inform AML of pending sleep.	7.3.3	297
_HE	<u>High-Edge</u> – interrupt triggering, resource descriptor field.	18.1.8	552
_HID	<u>Hardware ID</u> – returns a device’s Plug and Play Hardware ID.	6.1.4	202
_HOT	<u>Hot Temperature</u> – returns the critical temperature for sleep (entry to S4).	11.4.6	425
_HPP	<u>Hot Plug Parameters</u> – returns a list of hot-plug information for a PCI device.	6.2.7	217
_HPX	<u>Hot Plug Parameter Extensions</u> – returns a list of hot-plug information for a PCI device. Supersedes _HPP.	6.2.8	219
_IFT	IPMI Interface Type. See the Intelligent Platform Management Interface Specification at <a href="http://www.intel.com/design/servers/ipmi/index.htm">http://www.intel.com/design/servers/ipmi/index.htm</a>		
_INI	<u>Initialize</u> – performs device specific initialization.	6.5.1	276

**Table 5-67 Predefined ACPI Names**

Name	Description	Section	Page
_INT	<b><i>Interrupts</i></b> – interrupt mask bits, resource descriptor field.	18.1.8	552
_IRC	<b><i>Inrush Current</i></b> – presence indicates that a device has a significant inrush current draw.	7.2.13	292
_Lxx	<b><i>Level GPE</i></b> – Control method executed as a result of a general-purpose event.	5.6.4.1	175
_LCK	<b><i>Lock</i></b> – locks or unlocks a device (docking).	6.3.4	243
_LEN	<b><i>Length</i></b> – range length, resource descriptor field.	18.1.8	552
_LID	<b><i>Lid</i></b> – returns the open/closed status of the lid on a mobile system.	9.4.1	343
_LL	<b><i>Low Level</i></b> – interrupt polarity, resource descriptor field.	18.1.8	552
_MAF	<b><i>Maximum Address Fixed</i></b> – resource descriptor field.	18.1.8	552
_MAT	<b><i>Multiple Apic Table Entry</i></b> – returns a list of MADT APIC structure entries.	6.2.9	224
_MAX	<b><i>Maximum Base Address</i></b> – resource descriptor field.	18.1.8	552
_MBM	<b><i>Memory Bandwidth Monitoring Data</i></b> – returns bandwidth monitoring data for a memory device.	9.12.2.1	358
_MEM	<b><i>Memory Attributes</i></b> – resource descriptor field.	18.1.8	552
_MIF	<b><i>Minimum Address Fixed</i></b> – resource descriptor field.	18.1.8	552
_MIN	<b><i>Minimum Base Address</i></b> – resource descriptor field.	18.1.8	552
_MLS	<b><i>Multiple Language String</i></b> – returns a device description in multiple languages.	6.1.5	202
_MSG	<b><i>Message</i></b> – sets the system message waiting status indicator.	9.1.2	335
_MSM	<b><i>Memory Set Monitoring</i></b> – sets bandwidth monitoring parameters for a memory device.	9.12.2.2	359
_MTP	<b><i>Memory Type</i></b> – resource descriptor field.	18.1.8	552
_NTT	<b><i>Notification Temperature Threshold</i></b> – returns a threshold for device temperature change that requires platform notification.	11.4.7	426
_OFF	<b><i>Off</i></b> – sets a power resource to the off state.	7.1.2	284
_ON	<b><i>On</i></b> – sets a power resource to the on state.	7.1.3	285
_OS	<b><i>Operating System</i></b> – returns a string that identifies the operating system.	5.7.3	196
_OSC	<b><i>Operating System Capabilities</i></b> – inform AML of host features and capabilities.	6.2.10	225
_OSI	<b><i>Operating System Interfaces</i></b> – returns supported interfaces, behaviors, and features.	5.7.2	193
_OST	<b><i>Ospm Status Indication</i></b> – inform AML of event processing status.	6.3.5	244
_PAI	<b><i>Power Averaging Interval</i></b> – sets the averaging interval for a power meter.	10.4.4	403
_PCL	<b><i>Power Consumer List</i></b> – returns a list of devices powered by a power source.	10.3.2	399
_PCT	<b><i>Performance Control</i></b> – returns processor performance control and status registers.	8.4.4.1	327
_PDC	<b><i>Processor Driver Capabilities</i></b> – inform AML of processor driver capabilities.	8.4.1	314
_PDL	<b><i>P-state Depth Limit</i></b> – returns the lowest available performance P-state.	8.4.4.6	332
_PIC	<b><i>PIC</i></b> – inform AML of the interrupt model in use.	5.8.1	197

Table 5-67 Predefined ACPI Names

Name	Description	Section	Page
_PIF	<i><u>P</u>ower <u>S</u>ource <u>I</u>nformation</i> – returns a Power Source information block.	10.3.3	399
_PLD	<i><u>P</u>hysical <u>D</u>evice <u>L</u>ocation</i> – returns a device’s physical location information.	6.1.6	203
_PMC	<i><u>P</u>ower <u>M</u>eter <u>C</u>apabilities</i> – returns a list of Power Meter capabilities info.	10.4.1	400
_PMD	<i><u>P</u>ower <u>M</u>etered <u>D</u>evice</i> s – returns a list of devices that are measured by the power meter device.	10.4.8	404
_PMM	<i><u>P</u>ower <u>M</u>eter <u>M</u>easurement</i> – returns the current value of the Power Meter.	10.4.3	403
_PPC	<i><u>P</u>erformance <u>P</u>resent <u>C</u>apabilities</i> – returns a list of the performance states currently supported by the platform.	8.4.4.3	328
_PPE	<i><u>P</u>olling for <u>P</u>latform <u>E</u>rror</i> – returns the polling interval to retrieve Corrected Platform Error information.	8.4.5	333
_PR	<i><u>P</u>rocessor</i> – predefined scope for processor objects.	5.3.1	162
_PR0	<i><u>P</u>ower <u>R</u>esources for <u>D</u>0</i> – returns a list of dependent power resources to enter state D0 (fully on).	7.2.7	289
_PR1	<i><u>P</u>ower <u>R</u>esources for <u>D</u>1</i> – returns a list of dependent power resources to enter state D1.	7.2.8	289
_PR2	<i><u>P</u>ower <u>R</u>esources for <u>D</u>2</i> – returns a list of dependent power resources to enter state D2.	7.2.9	290
_PR3	<i><u>P</u>ower <u>R</u>esources for <u>D</u>3hot</i> – returns a list of dependent power resources to enter state D3hot.	7.2.10	290
_PRL	<i><u>P</u>ower Source <u>R</u>edundancy <u>L</u>ist</i> – returns a list of power source devices in the same redundancy grouping.	10.3.4	400
_PRS	<i><u>P</u>ossible <u>R</u>esource <u>S</u>ettings</i> – returns a list of a device’s possible resource settings.	6.2.11	233
_PRT	<i><u>P</u>ci <u>R</u>outing <u>T</u>able</i> – returns a list of PCI interrupt mappings.	6.2.12	233
_PRW	<i><u>P</u>ower <u>R</u>esources for <u>W</u>ake</i> – returns a list of dependent power resources for waking.	7.2.11	290
_PS0	<i><u>P</u>ower <u>S</u>tate <u>0</u></i> – sets a device’s power state to D0 (device fully on).	7.2.2	287
_PS1	<i><u>P</u>ower <u>S</u>tate <u>1</u></i> – sets a device’s power state to D1.	7.2.3	288
_PS2	<i><u>P</u>ower <u>S</u>tate <u>2</u></i> – sets a device’s power state to D2.	7.2.4	288
_PS3	<i><u>P</u>ower <u>S</u>tate <u>3</u></i> – sets a device’s power state to D3 (device off).	7.2.5	288
_PSC	<i><u>P</u>ower <u>S</u>tate <u>C</u>urrent</i> – returns a device’s current power state.	7.2.6	288
_PSD	<i><u>P</u>rocessor <u>S</u>tate <u>D</u>ependencies</i> – returns processor P-State dependencies.	8.4.4.5	330
_PSL	<i><u>P</u>assive <u>L</u>ist</i> – returns a list of passive cooling device objects.	11.4.8	426
_PSR	<i><u>P</u>ower <u>S</u>ource</i> – returns the power source device currently in use.	10.3.1	398
_PSS	<i><u>P</u>erformance <u>S</u>upported <u>S</u>tates</i> – returns a list of supported processor performance states.	8.4.4.2	327
_PSV	<i><u>P</u>assive</i> – returns the passive trip point temperature.	11.4.9	426
_PSW	<i><u>P</u>ower <u>S</u>tate <u>W</u>ake</i> – sets a device’s wake function.	7.2.12	291
_PTC	<i><u>P</u>rocessor <u>T</u>hrottling <u>C</u>ontrol</i> – returns throttling control and status registers.	8.4.3.1	320

**Table 5-67 Predefined ACPI Names**

<b>Name</b>	<b>Description</b>	<b>Section</b>	<b>Page</b>
_PTP	<b><u>P</u>ower <u>T</u>rip <u>P</u>oints</b> – sets trip points for the Power Meter device.	10.4.2	402
_PTS	<b><u>P</u>repare <u>T</u>o <u>S</u>leep</b> – inform the platform of an impending sleep transition.	7.3.2	297
_PUR	<b><u>P</u>rocessor <u>U</u>tutilization <u>R</u>equest</b> – returns the number of processors that the platform would like to idle.	8.5.1.1	334
_PXM	<b><u>P</u>roximity</b> – returns a device’s proximity domain identifier.	6.2.13	236
_Qxx	<b><u>Q</u>uery</b> – Embedded Controller query and SMBus Alarm control method.	5.6.4.1	175
_RBO	<b><u>R</u>egister <u>B</u>it <u>O</u>ffset</b> – resource descriptor field.	18.1.8	552
_RBW	<b><u>R</u>egister <u>B</u>it <u>W</u>idth</b> – resource descriptor field.	18.1.8	552
_REG	<b><u>R</u>egion</b> – inform AML code of an operation region availability change.	6.5.4	277
_REV	<b><u>R</u>evision</b> – returns the revision of the ACPI specification that is implemented.	5.7.4	197
_RMV	<b><u>R</u>emove</b> – returns a device’s removal ability status (docking).	6.3.6	248
_RNG	<b><u>R</u>ange</b> – memory range type, resource descriptor field.	18.1.8	552
_ROM	<b><u>R</u>ead-<u>O</u>nly <u>M</u>emory</b> – returns a copy of the ROM data for a display device.	B.4.3	701
_RT	<b><u>R</u>esource <u>T</u>ype</b> – resource descriptor field.	18.1.8	552
_RTV	<b><u>R</u>elative <u>T</u>emperature <u>V</u>alues</b> – returns temperature value information.	11.4.10	426
_RW	<b><u>R</u>ead-<u>W</u>rite Status</b> – resource descriptor field.	18.1.8	552
_S0	<b><u>S</u>0 System State</b> – returns values to enter the system into the S0 state.	7.3.4.1	300
_S1	<b><u>S</u>1 System State</b> – returns values to enter the system into the S1 state.	7.3.4.2	300
_S2	<b><u>S</u>2 System State</b> – returns values to enter the system into the S2 state.	7.3.4.3	300
_S3	<b><u>S</u>3 System State</b> – returns values to enter the system into the S3 state.	7.3.4.4	301
_S4	<b><u>S</u>4 System State</b> – returns values to enter the system into the S4 state.	7.3.4.5	301
_S5	<b><u>S</u>5 System State</b> – returns values to enter the system into the S5 state.	7.3.4.6	302
_S1D	<b><u>S</u>1 <u>D</u>evice State</b> – returns the highest D-state supported by a device when in the S1 state.	7.2.14	292
_S2D	<b><u>S</u>2 <u>D</u>evice State</b> – returns the highest D-state supported by a device when in the S2 state.	7.2.15	293
_S3D	<b><u>S</u>3 <u>D</u>evice State</b> – returns the highest D-state supported by a device when in the S3 state.	7.2.16	293
_S4D	<b><u>S</u>4 <u>D</u>evice State</b> – returns the highest D-state supported by a device when in the S4 state.	7.2.17	294
_S0W	<b><u>S</u>0 <u>D</u>evice <u>W</u>ake State</b> – returns the lowest D-state that the device can wake itself from S0.	7.2.18	295
_S1W	<b><u>S</u>1 <u>D</u>evice <u>W</u>ake State</b> – returns the lowest D-state for this device that can wake the system from S1.	7.2.19	295
_S2W	<b><u>S</u>2 <u>D</u>evice <u>W</u>ake State</b> – returns the lowest D-state for this device that can wake the system from S2.	7.2.20	295
_S3W	<b><u>S</u>3 <u>D</u>evice <u>W</u>ake State</b> – returns the lowest D-state for this device that can wake the system from S3.	7.2.21	295
_S4W	<b><u>S</u>4 <u>D</u>evice <u>W</u>ake State</b> – returns the lowest D-state for this device that can	7.2.22	296

Table 5-67 Predefined ACPI Names

Name	Description	Section	Page
	wake the system from S4.		
_SB	<u>S</u> ystem <u>B</u> us – scope for device and bus objects.	5.3.1	162
_SBS	<u>S</u> mart <u>B</u> attery <u>S</u> ubsystem – returns the subsystem configuration.	10.1.3	382
_SCP	<u>S</u> et <u>C</u> ooling <u>P</u> olicy – sets the cooling policy (active or passive).	11.4.11	427
_SDD	<u>S</u> et <u>D</u> evice <u>D</u> ata – sets data for a SATA device.	9.8.3.3.1	350
_SEG	<u>S</u> egment – returns a device’s PCI Segment Group number.	6.5.6	279
_SHL	<u>S</u> et <u>H</u> ardware <u>L</u> imit – sets the hardware limit enforced by the Power Meter.	10.4.6	404
_SHR	<u>S</u> harable – interrupt share status, resource descriptor field.	18.1.8	552
_SI	<u>S</u> ystem <u>I</u> ndicators – predefined scope.	5.3.1	162
_SIZ	<u>S</u> ize – DMA transfer size, resource descriptor field.	18.1.8	552
_SLI	<u>S</u> ystem <u>L</u> ocality <u>I</u> nformation – returns a list of NUMA system localities.	6.2.14	236
_SPD	<u>S</u> et <u>P</u> ost <u>D</u> evice – sets which video device will be posted at boot.	B.4.5	702
_SRS	<u>S</u> et <u>R</u> esource <u>S</u> ettings – sets a device’s resource allocation.	6.2.15	239
_SRV	IPMI Spec Revision. See the Intelligent Platform Management Interface Specification at <a href="http://www.intel.com/design/servers/ipmi/index.htm">http://www.intel.com/design/servers/ipmi/index.htm</a>		
_SST	<u>S</u> ystem <u>S</u> tatus – sets the system status indicator.	9.1.1	335
_STA	<u>S</u> tatus – (1) returns the current status of a device. (2) Returns the current on or off state of a Power Resource.	6.3.7 7.1.4	248 285
_STM	<u>S</u> et <u>T</u> iming <u>M</u> ode – sets an IDE controller transfer timings.	9.8.2.1.2	348
_STP	<u>S</u> et <u>E</u> xpired <u>T</u> imer <u>W</u> ake <u>P</u> olicy – sets expired timer policies of the wake alarm device.	9.18.2	375
_STR	<u>S</u> tring – returns a device’s description string.	6.1.7	209
_STV	<u>S</u> et <u>T</u> imer <u>V</u> alue – set timer values of the wake alarm device.	9.18.3	376
_SUN	<u>S</u> lot <u>U</u> ser <u>N</u> umber – returns the slot unique ID number.	6.1.8	210
_SWS	<u>S</u> ystem <u>W</u> ake <u>S</u> ource – returns the source event that caused the system to wake.	7.3.5	302
_T_x	<u>T</u> emporary – reserved for use by ASL compilers.	18.2.1.1	558
_TC1	<u>T</u> hermal <u>C</u> onstant <u>1</u> – returns TC1 for the passive cooling formula.	11.4.12	429
_TC2	<u>T</u> hermal <u>C</u> onstant <u>2</u> – returns TC2 for the passive cooling formula.	11.4.13	430
_TDL	<u>T</u> -State <u>D</u> ePTH <u>L</u> imit – returns the _TSS entry number of the lowest power throttling state.	8.4.3.5	326
_TIP	<u>E</u> xpired <u>T</u> imer <u>W</u> ake <u>P</u> olicy – returns timer policies of the wake alarm device.	9.18.5	376
_TIV	<u>T</u> imer <u>V</u> alues – returns remaining time of the wake alarm device.	9.18.4	376
_TMP	<u>T</u> emperature – returns a thermal zone’s current temperature.	11.4.14	430
_TPC	<u>T</u> hrottling <u>P</u> resent <u>C</u> apabilities – returns the current number of supported throttling states.	8.4.3.3	322
_TPT	<u>T</u> rip <u>P</u> oint <u>T</u> emperature – inform AML that a devices’ embedded temperature sensor has crossed a temperature trip point.	11.4.15	430

**Table 5-67 Predefined ACPI Names**

Name	Description	Section	Page
_TRA	<b><i>T</i></b> <u>ranslation</u> – address translation offset, resource descriptor field.	18.1.8	552
_TRS	<b><i>T</i></b> <u>ranslation</u> <b><i>S</i></b> <u>parse</u> – sparse/dense flag, resource descriptor field.	18.1.8	552
_TRT	<b><i>T</i></b> <u>hermal</u> <b><i>R</i></b> <u>elationship</u> <b><i>T</i></b> <u>able</u> – returns thermal relationships between platform devices.	11.4.16	430
_TSD	<b><i>T</i></b> <u>hrottling</u> <b><i>S</i></b> <u>tate</u> <b><i>D</i></b> <u>ependencies</u> – returns a list of T-state dependencies.	8.4.3.4	323
_TSF	<b><i>T</i></b> <u>ype-Specific</u> <b><i>F</i></b> <u>lags</u> – resource descriptor field.	18.1.8	552
_TSP	<b><i>T</i></b> <u>hermal</u> <b><i>S</i></b> <u>ampling</u> <b><i>P</i></b> <u>eriod</u> – returns the thermal sampling period for passive cooling.	11.4.17	431
_TSS	<b><i>T</i></b> <u>hrottling</u> <b><i>S</i></b> <u>upported</u> <b><i>S</i></b> <u>tates</u> – returns supported throttling state information.	8.4.3.2	321
_TST	<b><i>T</i></b> <u>emperature</u> <b><i>S</i></b> <u>ensor</u> <b><i>T</i></b> <u>hreshold</u> – returns the minimum separation for a device's temperature trip points.	11.4.18	431
_TTP	<b><i>T</i></b> <u>ranslation</u> <b><i>T</i></b> <u>ype</u> – translation/static flag, resource descriptor field.	18.1.8	552
\_TTS	<b><i>T</i></b> <u>ransition</u> <b><i>T</i></b> <u>o</u> <b><i>S</i></b> <u>tate</u> – inform AML of an S-state transition.	7.3.6	303
_TYP	<b><i>T</i></b> <u>ype</u> – DMA channel type (speed), resource descriptor field.	18.1.8	552
_TZ	<b><i>T</i></b> <u>hermal</u> <b><i>Z</i></b> <u>one</u> – predefined scope: ACPI 1.0.	5.3.1	162
_TZD	<b><i>T</i></b> <u>hermal</u> <b><i>Z</i></b> <u>one</u> <b><i>D</i></b> <u>evice</u> s – returns a list of device names associated with a Thermal Zone.	11.4.19	432
_TZM	<b><i>T</i></b> <u>hermal</u> <b><i>Z</i></b> <u>one</u> <b><i>M</i></b> <u>ember</u> – returns a reference to the thermal zone of which a device is a member.	11.4.20	432
_TZP	<b><i>T</i></b> <u>hermal</u> <b><i>Z</i></b> <u>one</u> <b><i>P</i></b> <u>olling</u> – returns a Thermal zone's polling frequency.	11.4.21	432
_UID	<b><i>U</i></b> <u>nique</u> <b><i>I</i></b> <u>D</u> – return a device's unique persistent ID.	6.1.9	210
_UPC	<b><i>U</i></b> <u>SB</u> <b><i>P</i></b> <u>ort</u> <b><i>C</i></b> <u>apabilities</u> – returns a list of USB port capabilities.	9.13	360
_UPD	<b><i>U</i></b> <u>ser</u> <b><i>P</i></b> <u>resence</u> <b><i>D</i></b> <u>etect</u> – returns user detection information.	9.16.1	372
_UPP	<b><i>U</i></b> <u>ser</u> <b><i>P</i></b> <u>resence</u> <b><i>P</i></b> <u>olling</u> – returns the recommended user presence polling interval.	9.16.2	372
_VPO	<b><i>V</i></b> <u>ideo</u> <b><i>P</i></b> <u>ost</u> <b><i>O</i></b> <u>ptions</u> – returns the implemented video post options.	B.4.6	703
\_WAK	<b><i>W</i></b> <u>ake</u> – inform AML that the system has just awakened.	7.3.7	303
_Wxx	<b><i>W</i></b> <u>ake Event</u> – method executed as a result of a wake event.	5.6.4.2.2	178



## 5.7 Predefined Objects

The AML interpreter of an ACPI compatible operating system supports the evaluation of a number of predefined objects. The objects are considered “built in” to the AML interpreter on the target operating system.

A list of predefined object names are shown in the following table.

**Table 5-68 Predefined Object Names**

Name	Description
\_GL	Global Lock mutex
\_OS	Name of the operating system
\_OSI	Operating System Interface support
\_REV	Revision of the ACPI specification that is implemented

### 5.7.1 \\_GL (Global Lock Mutex)

This predefined object is a Mutex object that behaves like a Mutex as defined in section 18.5.79, “Mutex (Declare Synchronization/Mutex Object),” with the added behavior that acquiring this Mutex also acquires the shared environment Global Lock defined in section 5.2.10.1, “Global Lock.” This allows Control Methods to explicitly synchronize with the Global Lock if necessary.

### 5.7.2 \\_OSI (Operating System Interfaces)

This object provides the platform with the ability to query OSPM to determine the set of ACPI related interfaces, behaviors, or features that the operating system supports.

The \_OSI method has one argument and one return value. The argument is an OS vendor defined string representing a set of OS interfaces and behaviors or an ACPI defined string representing an operating system and an ACPI feature group of the form, “*OSVendorString-FeatureGroupString*”.

Arguments: (1)

Arg0 – A **String** containing the OS interface / behavior compatibility string or the Feature Group string, as defined in Table 5-70, or the “OS Vendor String Prefix – OS Vendor Specific String”. OS Vendor String Prefixes are defined in Table 5-69

Return Value:

An **Integer** containing a Boolean that indicates whether the requested feature is supported:

0x0 – The interface, behavior, or feature is not supported

0xFFFFFFFF – The interface, behavior, or feature is supported

OSPM may indicate support for multiple OS interface / behavior strings if the operating system supports the behaviors. For example, a newer version of an operating system may indicate support for strings from all or some of the prior versions of that operating system.

\_OSI provides the platform with the ability to support new operating system versions and their associated features when they become available. OSPM can choose to expose new functionality based on the \_OSI argument string. That is, OSPM can use the strings passed into \_OSI to ensure compatibility between older platforms and newer operating systems by maintaining known compatible behavior for a platform. As such, it is recommended that \_OSI be evaluated by the \\_SB.INI control method so that platform compatible behavior or features are available early in operating system initialization.

Since feature group functionality may be dependent on OSPM implementation, it may be required that OS vendor-defined strings be checked before feature group strings.

Platform developers should consult OS vendor specific information for OS vendor defined strings representing a set of OS interfaces and behaviors. ACPI defined strings representing an operating system and an ACPI feature group are listed in the following tables.

**Table 5-69 Operating System Vendor Strings**

Operating System Vendor String Prefix	Description
“FreeBSD”	Free BSD
“HP-UX”	HP Unix Operating Environment
“Linux”	GNU/Linux Operating system
“OpenVMS”	HP OpenVMS Operating Environment
“Windows”	Microsoft Windows

**Table 5-70 Feature Group Strings**

Feature Group String	Description
“Module Device”	OSPM supports the declaration of module device (ACPI0004) in the namespace and will enumerate objects under the module device scope.
“Processor Device”	OSPM supports the declaration of processors in the namespace using the ACPI0007 processor device HID.
“3.0 Thermal Model”	OSPM supports the extensions to the ACPI thermal model in Revision 3.0.
“Extended Address Space Descriptor”	OSPM supports the Extended Address Space Descriptor
“3.0 _SCP Extensions”	OSPM evaluates _SCP with the additional acoustic limit and power limit arguments defined in ACPI 3.0.
“Processor Aggregator Device”	OSPM supports the declaration of the processor aggregator device in the namespace using the ACPI000C processor aggregator device HID.

\_OSI Example ASL using OS vendor defined string:

```

Scope (_SB)          //Scope
{
    Name (TOOS, 0)    // Global variable for type of OS.
    // This methods sets the "TOOS" variable depending on the type of OS
    // installed on the system.
    // TOOS = 1          // Windows 98 & SE
    // TOOS = 2          // Windows Me.
    // TOOS = 3          // Windows 2000 OS or above version.
    // TOOS = 4          // Windows XP OS or above version.
    Method (_INI)
    {
        If (CondRefOf (_OSI,Local0))
        {
            If (\_OSI ("Windows 2001"))
            {
                Store(4, TOOS)
            }
        }
        Else
        {
            Store (\_OS, local0)
            If (LEqual (local0, "Microsoft Windows NT"))
            {
                Store (3, TOOS)
            }
            ElseIf (LEqual (Local0, "Microsoft Windows"))
            {
                Store (1, TOOS)
            }
            ElseIf (LEqual (Local0, "Microsoft WindowsME:Millennium Edition"))
            {
                Store (2, TOOS)
            }
        }
    }
}

```

\_OSI Example ASL using an ACPI defined string:

```

Scope (_SB) {
    Method (_INI) {
        If (CondRefOf (_OSI,Local0)) {
            If (\_OSI ("Module Device")) {
                //Expose PCI Root Bridge under Module Device
                LoadTable("OEM1", "OEMID", "Table1",,,)
            }
            Else {
                // Expose PCI Root Bridge under \_SB - OS does not support Module Device
                LoadTable("OEM1", "OEMID", "Table2",,,)
            }
        }
        Else {
            // Default Behavior
            LoadTable("OEM1", "OEMID", "Table2",,,)
        } // _INI Method
    } // _SB scope

DefinitionBlock ("MD1SSDT.aml", "OEM1", 0x02,
    "OEMID", "Table1", 0) {
    Scope(\_SB) {
        Device (\_SB.NOD0) {
            Name (_HID, "ACPI0004") // Module device
            Name (_UID, 0)
            Name (_PRS, ResourceTemplate() {...})
            Method (_SRS, 1) {...}
            Method (_CRS, 0) {...}
            Device (PCI0) { // PCI Root Bridge
                Name (_HID, EISAID("PNP0A03"))
                Name (_UID, 0)
                Name (_BBN, 0x00)
                Name (_PRS, ResourceTemplate () {...})
            } // end of PCI Root Bridge
        } // end of Module device
    } // end of \_SB Scope
} // end of Definition Block

DefinitionBlock ("MD1SSDT.aml", "OEM1", 0x02,
    "OEMID", "Table2", 0) {
    Scope(\_SB) {
        Device (PCI0) { // PCI Root Bridge
            Name (_HID, EISAID("PNP0A03"))
            Name (_UID, 0)
            Name (_BBN, 0x00)
            Name (_PRS, ResourceTemplate () {...})
        } // end of PCI Root Bridge
    } // end of \_SB Scope
} // end of Definition Block

```

### 5.7.3 \\_OS (OS Name Object)

This predefined object evaluates to a string that identifies the operating system. In robust OSPM implementations, \\_OS evaluates differently for each OS release. This may allow AML code to accommodate differences in OSPM implementations. This value does not change with different revisions of the AML interpreter.

Arguments:

None

Return Value:

A **String** containing the operating system name

### 5.7.4 \\_REV (Revision Data Object)

This predefined object evaluates to the revision of the ACPI Specification that the specified \\_OS implements as a DWORD. Larger values are newer revisions of the ACPI specification.

Arguments:

None

Return Value:

An **Integer** containing the revision of the currently executing ACPI implementation

## 5.8 System Configuration Objects

### 5.8.1 \\_PIC Method

The \\_PIC optional method is used to report to the BIOS the current interrupt model used by the OS. This control method returns nothing. The argument passed into the method signifies the interrupt model OSPM has chosen, PIC mode, APIC mode, or SAPIC mode. Notice that calling this method is optional for OSPM. If the method is never called, the BIOS must assume PIC mode. It is important that the BIOS save the value passed in by OSPM for later use during wake operations.

Arguments: (1)

Arg0 – An **Integer** containing a code for the current interrupt model:

- 0 – PIC mode
- 1 – APIC mode
- 2 – SAPIC mode
- Other values – Reserved

Return Value:

None



## 6 Device Configuration

This section specifies the objects OSPM uses to configure devices. There are three types of configuration objects:

- Device identification objects associate platform devices with Plug and Play IDs.
- Device configuration objects declare and configure hardware resources and characteristics for devices enumerated via ACPI.
- Device insertion and removal objects provide mechanisms for handling dynamic insertion and removal of devices.

This section also defines the ACPI device–resource descriptor formats. Device–resource descriptors are used as parameters by some of the device configuration objects.

### 6.1 Device Identification Objects

Device identification objects associate each platform device with a Plug and Play device ID for each device. All the device identification objects are listed Table 6-1:

**Table 6-1 Device Identification Objects**

Object	Description
_ADR	Object that evaluates to a device's address on its parent bus.
_CID	Object that evaluates to a device's Plug and Play-compatible ID list.
_DDN	Object that associates a logical software name (for example, COM1) with a device.
_HID	Object that evaluates to a device's Plug and Play hardware ID.
_MLS	Object that provides a human readable description of a device in multiple languages.
_PLD	Object that provides physical location description information.
_SUN	Object that evaluates to the slot-unique ID number for a slot.
_STR	Object that contains a Unicode identifier for a device.
_UID	Object that specifies a device's unique persistent ID, or a control method that generates it.

For any device that is not on an enumerable type of bus (for example, an ISA bus), OSPM enumerates the devices' Plug and Play ID(s) and the ACPI BIOS must supply an \_HID object (plus an optional \_CID object) for each device to enable OSPM to do that. For devices on an enumerable type of bus, such as a PCI bus, the ACPI system must identify which device on the enumerable bus is identified by a particular Plug and Play ID; the ACPI BIOS must supply an \_ADR object for each device to enable this. A device object must contain either an \_HID object or an \_ADR object, but can contain both.

If any of these objects are implemented as control methods, these methods may depend on operation regions. Since the control methods may be evaluated before an operation region provider becomes available, the control method must be structured to execute in the absence of the operation region provider. (\_REG methods notify the BIOS of the presence of operation region providers.) When a control method cannot determine the current state of the hardware due to a lack of operation region provider, it is recommended that the control method should return the condition that was true at the time that control passed from the BIOS to the OS. (The control method should return a default, boot value).

### 6.1.1 \_ADR (Address)

This object is used to supply OSPM with the address of a device on its parent bus. An \_ADR object must be used when specifying the address of any device on a bus that has a standard enumeration algorithm (see 3.7, “Configuration and Plug and Play”, for the situations when these devices do appear in the ACPI namespace).

Arguments:

None

Return Value:

An **Integer** containing the address of the device

An \_ADR object can be used to provide capabilities to the specified address even if a device is not present. This allows the system to provide capabilities to a slot on the parent bus.

OSPM infers the parent bus from the location of the \_ADR object’s device package in the ACPI namespace. For more information about the positioning of device packages in the ACPI namespace, see section 18.5.28, “Device (Declare Bus/Device Package)”

\_ADR object information must be static and can be defined for the following bus types listed in Table 6-2.

**Table 6-2 \_ADR Object Address Encodings**

BUS	Address Encoding
EISA	EISA slot number 0–F
Floppy Bus	Drive select values used for programming the floppy controller to access the specified INT13 unit number. The _ADR Objects should be sorted based on drive select encoding from 0-3.
IDE Controller	0–Primary Channel, 1–Secondary Channel
IDE Channel	0–Master drive, 1–Slave drive
Intel® High Definition Audio	High word – SDI (Serial Data In) ID of the codec that contains the function group. Low word – Node ID of the function group.
PCI	High word–Device #, Low word–Function #. (for example, device 3, function 2 is 0x00030002). To refer to all the functions on a device #, use a function number of FFFF).
PCMCIA	Socket #; 0–First Socket
PC CARD	Socket #; 0–First Socket
Serial ATA	SATA Port: High word—Root port #, Low word—port number off of a SATA port multiplier, or 0xFFFF if no port multiplier attached. (For example, root port 2 would be 0x0002FFFF. If instead a port multiplier had been attached to root port 2, the ports connected to the multiplier would be encoded 0x00020000, 0x00020001, etc.) The value 0xFFFFFFFF is reserved.
SMBus	Lowest Slave Address
USB Root HUB	Only one child of the host controller. It must have an _ADR of 0. No other children or values of _ADR are allowed.
USB Ports	Port number (1-n)



### 6.1.2 \_CID (Compatible ID)

This optional object is used to supply OSPM with a device's Plug and Play-Compatible Device ID. Use \_CID objects when a device has no other defined hardware standard method to report its compatible IDs.

Arguments:

None

Return Value:

An **Integer** or **String** containing a single CID *or* a **Package** containing a list of CIDs

A \_CID object evaluates to either:

- A single Compatible Device ID
- A package of Compatible Device IDs for the device — in the order of preference, highest preference first.

Each Compatible Device ID must be either:

- A valid HID value (a 32-bit compressed EISA type ID or a string such as "ACPI0004").
- A string that uses a bus-specific nomenclature. For example, \_CID can be used to specify the PCI ID. The format of a PCI ID string is one of the following:

```
"PCI\CC_ccss"
"PCI\CC_ccspp"
"PCI\VEN_vvvv&DEV_dddd&SUBSYS_ssssssss&REV_rr"
"PCI\VEN_vvvv&DEV_dddd&SUBSYS_ssssssss"
"PCI\VEN_vvvv&DEV_dddd&REV_rr"
"PCI\VEN_vvvv&DEV_dddd"
```

Where:

```
cc      – hexadecimal representation of the Class Code byte
ss      – hexadecimal representation of the Subclass Code byte
pp      – hexadecimal representation of the Programming Interface byte
vvvv    – hexadecimal representation of the Vendor ID
dddd    – hexadecimal representation of the Device ID
sssssss – hexadecimal representation of the Subsystem ID
rr      – hexadecimal representation of the Revision byte
```

A compatible ID retrieved from a \_CID object is only meaningful if it is a non-NULL value.

Example ASL:

```
Device (XYZ) {
    Name (_HID, EISAID ("PNP0303"))           // PC Keyboard Controller
    Name (_CID, EISAID ("PNP030B"))
}
```

### 6.1.3 \_DDN (DOS Device Name)

This object is used to associate a logical name (for example, COM1) with a device. This name can be used by applications to connect to the device.

Arguments:

None

Return Value:

A **String** containing the DOS device name

### 6.1.4 \_HID (Hardware ID)

This object is used to supply OSPM with the device's Plug and Play hardware ID.<sup>8</sup> When describing a platform, use of any \_HID objects is optional. However, a \_HID object must be used to describe any device that will be enumerated by OSPM. OSPM only enumerates a device when no bus enumerator can detect the device ID. For example, devices on an ISA bus are enumerated by OSPM. Use the \_ADR object to describe devices enumerated by bus enumerators other than OSPM.

Arguments:

None

Return Value:

An **Integer** or **String** containing the HID

A \_HID object evaluates to either a numeric 32-bit compressed EISA type ID or a string. If a string, the format must be an alphanumeric PNP or ACPI ID with no asterisk or other leading characters.

A valid PNP ID must be of the form "AAA####" where A is an uppercase letter and # is a hex digit. A valid ACPI ID must be of the form "ACPI####" where # is a hex digit.

Example ASL:

```
Name (_HID, EISAID ("PNP0C0C")) // Control-Method Power Button
Name (_HID, EISAID ("INT0800")) // Firmware Hub
Name (_HID, "ACPI0003") // AC adapter device
```

### 6.1.5 \_MLS (Multiple Language String)

The \_MLS object provides OSPM a human readable description of a device in multiple languages. This information may be provided to the end user when the OSPM is unable to get any other information about this device. Although this functionality is also provided by the \_STR object, \_MLS expands that functionality and provides vendors with the capability to provide multiple strings in multiple languages. The \_MLS object evaluates to a package of packages. Each sub-package consists of a Language identifier and corresponding unicode string for a given locale. Specifying a language identifier allows OSPM to easily determine if support for displaying the Unicode string is available. OSPM can use this information to determine whether or not to display the device string, or which string is appropriate for a user's preferred locale.

It is assumed that OSPM will always support the primary English locale to accommodate English embedded in a non-English string, such as a brand name.

If OSPM doesn't support the specific sub-language ID it may choose to use the primary language ID for displaying device text.

Arguments:

None

Return Value:

A variable-length **Package** containing a list of language descriptor **Packages** as described below.

---

<sup>8</sup>A Plug and Play (EISA) ID can be obtained by sending e-mail to pnpid@microsoft.com.

**Return Value Information**

```
Package {
    LanguageDescriptor[0]    // Package
    LanguageDescriptor[n]    // Package
}
```

Each Language Descriptor sub-**Package** contains the elements described below:

```
Package {
    LanguageId                // String
    UnicodeDescription        // String
}
```

*LanguageId* is a string identifying the language. This string follows the format specified in the Internet RFC 3066 document (Tags for the Identification of Languages). In addition to supporting the existing strings in RFC 3066, Table 6-3 lists aliases that are also supported.

**Table 6-3 Additional Language ID Alias Strings**

RFC String	Supported Alias String
zh-Hans	zh-chs
zh-Hant	zh-cht

*UnicodeDescription* is a Unicode (UTF-16) string. This string contains the language-specific description of the device corresponding to the LanguageID.

**Example:**

```
Device (XYZ) {
    Name (_ADR, 0x00020001)
    Name (_MLS, Package(){{(2){"en", Unicode("ACME super DVD controller")}}})
}
```

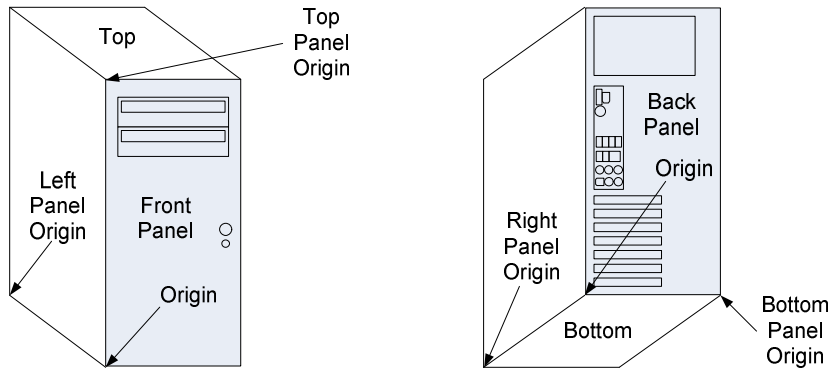
**6.1.6 \_PLD (Physical Device Location)**

This optional object is a method that conveys to OSPM a general description of the physical location of a device's external connection point. The *\_PLD* may be child object for any ACPI Namespace object the system wants to describe. This information can be used by system software to describe to the user which specific connector or device input mechanism may be used for a given task or may need user intervention for correct operation. The *\_PLD* should only be evaluated when its parent device is present as indicated by the device's presence mechanism (i.e. *\_STA* or other)

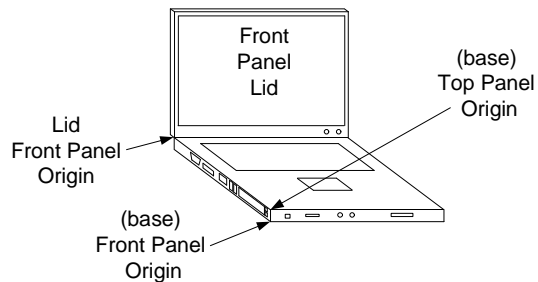
An externally exposed device connection point can reside on any surface of a system's housing. The respective surfaces of a system's housing are identified by the "Panel" field (described below). The *\_PLD* method returns data to describe the location of where the device's connection point resides and a Shape (described below) that may be rendered at that position. One physical device may have several connection points. A *\_PLD* describes the offset and rotation of a single device connection point from an "origin" that resides in the lower left hand corner of its Panel.

All Panel references (Top, Bottom, Right, Left, etc.) are interpreted as though the user is facing the front of the system. For example, the Right Panel is the right side of the system as viewed from the front.

All "origin" references for a Panel are interpreted as its lower left corner when the user is facing the respective Panel. The Top Panel shall be viewed with the system is viewed resting on its Front Panel, and the Bottom Panel shall be viewed with the system resting on its Back Panel. All other Panels shall be viewed with the system resting on its Bottom Panel. Refer to Figure 6-1 for more information.

**Figure 6-1 System Panel and Panel Origin Positions**

The data bits also assume that if the system is capable of opening up like a laptop that the device may exist on the base of the laptop system or on the lid. In the case of the latter, the “Lid” bit (described below) should be set indicating the device connection point is on the lid. If the device is on the lid, the description describes the device’s connection point location when the system is opened with the lid up. If the device connection point is not on the lid, then the description describes the device’s connection point location when the system with the lid closed.

**Figure 6-2 Laptop Panel and Panel Origin Positions**

To render a view of a system Panel, all `_PLDs` that define the same Panel and Lid values are collected. The `_PLDs` are then sorted by the value of their Order field and the view of the panel is rendered by drawing the shapes of each connection point (in their correct Shape, Color, Horizontal Offset, Vertical Offset, Width, Height, and Orientation) starting with all Order = 0 `_PLDs` first. Refer to Figure 6-4 for an example.

The location of a device connection point may change as a result of the system connecting or disconnecting to a docking station or a port replicator. As such, Notify event of type 0x08 will cause OSPM to re-evaluate the `_PLD` object residing under the particular device notified. If a platform is unable to detect the change of connecting or disconnecting to a docking station or port replicator, a `_PLD` object should not be used to describe the device connection points that will change location after such an event.

**Arguments:**

None

**Return Value:**A variable-length **Package** containing a list of **Buffers**

This method returns a package containing a single or multiple buffer entries. At least one buffer entry must be returned using the bit definitions below.

Buffer 0 Return Value:

Bit 6:0 – Revision. The current revision is 0x2

Bit 7 – Ignore Color. If this bit is set, the Color field is ignored, as the color is unknown.

Bit 31:8 – Color – 24bit RGB value for the color of the device connection point. (bits 8:15 = red, bits 16:23 = green, bits 24:31 = blue)

Bit 47:32 – Width: Describes, in millimeters, the width (widest point) of the device connection point.

Bit 63:48 – Height: Describes, in millimeters, the height (tallest point) of the device connection point.

Bit 64 – User Visible: Set if the device connection point can be seen by the user without disassembly.

Bit 65 – Dock: Set if the device connection point resides in a docking station or port replicator.

Bit 66 – Lid: Set if this device connection point resides on the lid of laptop system.

Bit 69:67 – Panel: Describes which panel surface of the system’s housing the device connection point resides on.

0 – Top

1 – Bottom

2 – Left

3 – Right

4 – Front

5 – Back

6 – Unknown (Vertical Position and Horizontal Position will be ignored)

Bit 71:70 – Vertical Position on the panel where the device connection point resides.

0 – Upper

1 – Center

2 – Lower

Bit 73:72 – Horizontal Position on the panel where the device connection point resides.

0 – Left

1 – Center

2 – Right

Bit 77:74 – Shape: Describes the shape of the device connection point. The Width and Height fields may be used to distort a shape, e.g. A Round shape will look like an Oval shape if the Width and Height are not equal. And a Vertical Rectangle or Horizontal Rectangle may look like a square if Width and Height are equal. Refer to Figure 6-3.

0 – Round

1 – Oval

2 – Square

3 – Vertical Rectangle

4 – Horizontal Rectangle

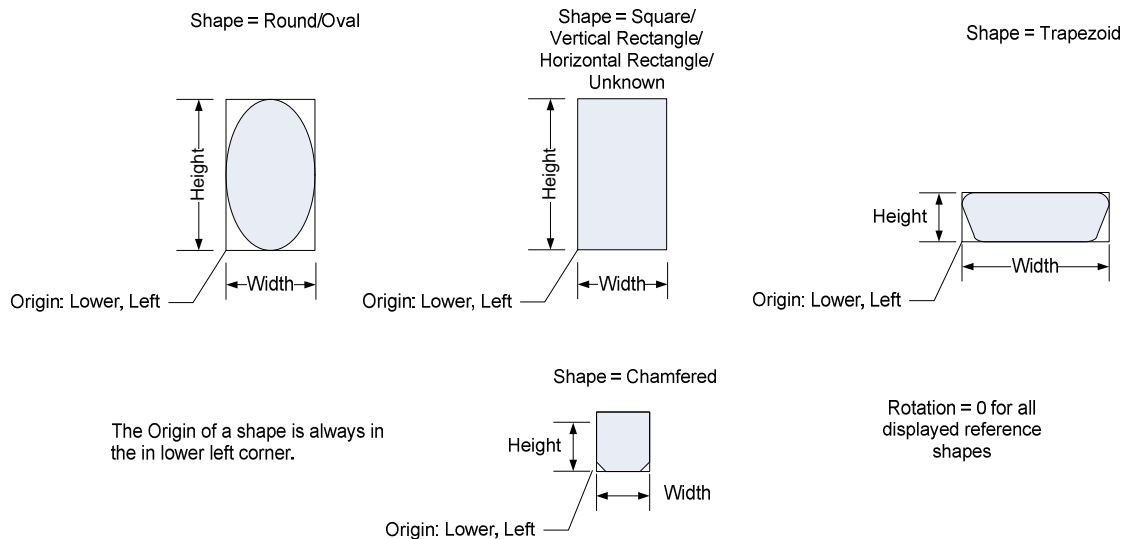
5 – Vertical Trapezoid

6 – Horizontal Trapezoid

7 – Unknown – Shape rendered as a Rectangle with dotted lines

8 – Chamfered

15:9 – Reserved

**Figure 6-3 Default Shape Definitions**

Bit 78 – Group Orientation: if Set, indicates vertical grouping, otherwise horizontal is assumed.

Bit 86:79 – Group Token: Unique numerical value identifying a group.

Bit 94:87 – Group Position: Identifies this device connection point’s position in the group (i.e. 1<sup>st</sup>, 2<sup>nd</sup>)

Bit 95 – Bay: Set if describing a device in a bay or if device connection point is a bay.

Bit 96 – Ejectable: Set if the device is ejectable. Indicates ejectability in the absence of \_EJx objects.

Bit 97 – OSPM Ejection required: Set if OSPM needs to be involved with ejection process. User-operated physical hardware ejection is not possible.

Bit 105:98 – Cabinet Number. For single cabinet system, this field is always 0.

Bit 113:106 – Card cage Number. For single card cage system, this field is always 0.

Bit 114 – Reference: if Set, this \_PLD defines a “reference” shape that is used to help orient the user with respect to the other shapes when rendering \_PLDs.

Bit 118:115 – Rotation: Rotates the Shape clockwise in 45 degree steps around its origin where:

- 0 – 0°
- 1 – 45°
- 2 – 90°
- 3 – 135°
- 4 – 180°
- 5 – 225°
- 6 – 270°
- 7 – 315°

Bit 123:119 – Order: Identifies the drawing order of the connection point described by a \_PLD. Order = 0 connection points are drawn before Order = 1 connection points. Order = 1 before Order = 2, and so on. Order = 31 connection points are drawn last. Order should always start at 0 and be consecutively assigned.

Bit 127:124 – Reserved, must contain a value of 0.

Bit 143:128 – Vertical Offset: Offset of Shape Origin from Panel Origin (in mm). A value of 0xFFFFFFFF indicates that this field is not supplied.

Bit 159:144 – Horizontal Offset: Offset of Shape Origin from Panel Origin (in mm). A value of 0xFFFFFFFF indicates that this field is not supplied.

All additional buffer entries returned, may contain OEM specific data, but must begin in a {GUID, data} pair. These additional data may provide complimentary physical location information specific to certain systems or class of machines.

Buffers 1 – N Return Value (Optional):

- Buffer 1 Bit 127:0 – GUID 1
- Buffer 2 Bit 127:0 – Data 1
- Buffer 3 Bit 127:0 – GUID 2
- Buffer 4 Bit 127:0 – Data 2
- .....

Figure 6-4 provides an example of a rendering of the external device connection points that may be conveyed to the user by \_PLD information. Note that three \_PLDs (*System Back Panel, Power Supply, and Motherboard (MB) Connector Area*) that are associated with the System Bus tree (\_SB) object. Their Reference flag is set indicating that are used to provide the user with visual queues for identifying the relative locations of the other device connection points.

The connection points (C1 through C16) are defined by \_PLD objects found in the System bus tree.

The following connection points all have their Panel and Lid fields set to Back and 0, respectively. And the Reference flag of the System Back Panel, Power Supply, and MB Connector Area connection points are set to 1. in this example are used to render Figure 6-4:

**Table 6-4 \_PLD Back Panel Example Settings**

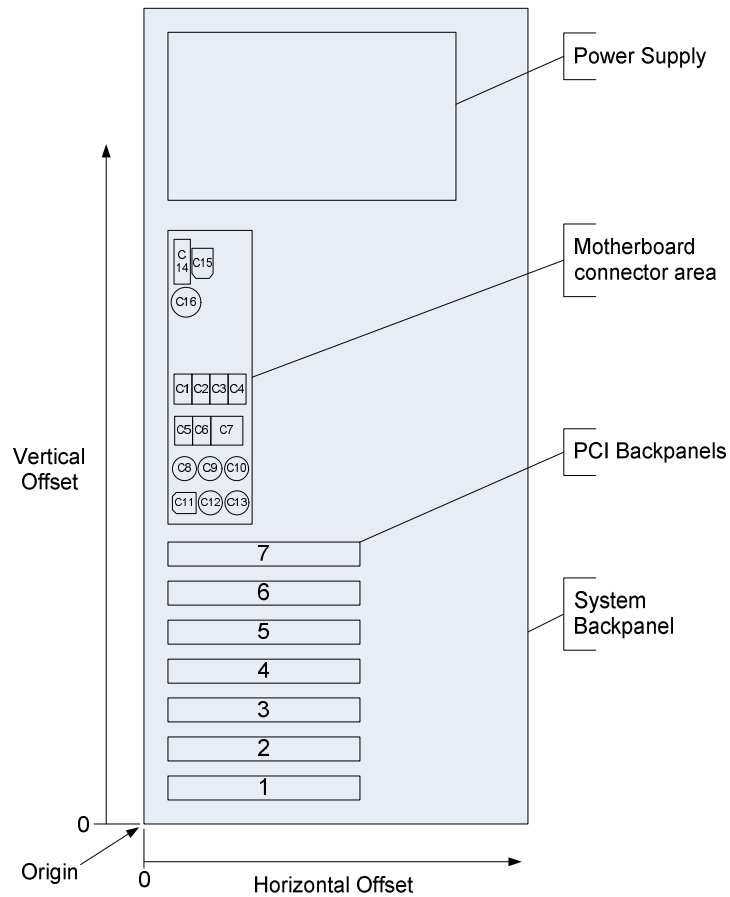
Name	Ignore Color	R	G	B	Width	Height	VOff	HOff	Shape	Notation	Goup Position	Rotation
Back Panel	Yes	0	0	0	2032	4318	0	0	V Rect		1	0
MB Conn area	Yes	0	0	0	445	1556	1588	127	V Rect		2	0
Power Supply	Yes	0	0	0	1524	889	3302	127	H Rect		2	0
USB Port 1	No	0	0	0	125	52	2223	159	H Rect	C1	3	90
USB Port 2	No	0	0	0	125	52	2223	254	H Rect	C2	3	90
USB Port 3	No	0	0	0	125	52	2223	350	H Rect	C3	3	90
USB Port 4	No	0	0	0	125	52	2223	445	H Rect	C4	3	90
USB Port 5	No	0	0	0	125	52	2007	159	H Rect	C5	3	90
USB Port 6	No	0	0	0	125	52	2007	254	H Rect	C6	3	90
Ethernet	No	0	0	0	157	171	2007	350	V Rect	C7	3	90

Name	Ignore Color	R	G	B	Width	Height	VOff	HOff	Shape	Notation	Group Position	Rotation
Audio 1	No	FF	FF	FF	127	127	1945	151	Round	C8	3	90
Audio 2	No	151	247	127	127	127	1945	286	Round	C9	3	90
Audio 3	No	0	0	0	127	127	1945	427	Round	C10	3	90
SPDIF	No	0	0	0	112	126	1756	176	V Trap	C11	3	90
Audio 4	No	0	FF	0	127	127	1765	288	Round	C12	3	90
Audio 5	No	0	0	FF	127	127	1765	429	Round	C13	3	90
SATA	No	0	0	0	239	88	3091	159	H Rect	C14	3	90
1394	No	0	0	0	112	159	2890	254	H Trap	C15	3	0
Coax	No	0	0	0	159	159	2842	143	Round	C16	3	90
PCI 1	No	0	0	0	1016	127	127	127	H Rect	1	3	0
PCI 2	No	0	0	0	1016	127	334	127	H Rect	2	3	0
PCI 3	No	0	0	0	1016	127	540	127	H Rect	3	3	0
PCI 4	No	0	0	0	1016	127	747	127	H Rect	4	3	0
PCI 5	No	0	0	0	1016	127	953	127	H Rect	5	3	0
PCI 6	No	0	0	0	1016	127	1159	127	H Rect	6	3	0
PCI 7	No	0	0	0	1016	127	1366	127	H Rect	7	3	0

Note that the origin is in the lower left hand corner of the Back Panel, where positive Horizontal and Vertical Offset values are to the right and up, respectively.



Figure 6-4 \_PLD Back Panel Rendering Example



### 6.1.7 \_STR (String)

The `_STR` object evaluates to a Unicode string that describes the device. It may be used by an OS to provide information to an end user. This information is particularly valuable when no other information is available.

Arguments:

None

Return Value:

A **Buffer** containing a Unicode string that describes the device

Example ASL:

```
Device (XYZ) {
    Name (_ADR, 0x00020001)
    Name (_STR, Unicode ("ACME super DVD controller"))
}
```

Then, when all else fails, an OS can use the info included in the `_STR` object to describe the hardware to the user.

### 6.1.8 **\_SUN (Slot User Number)**

\_SUN is an object that evaluates to the slot-unique ID number for a slot. \_SUN is used by OSPM UI to identify slots for the user. For example, this can be used for battery slots, PCI slots, PCMCIA slots, or swappable bay slots to inform the user of what devices are in each slot. \_SUN evaluates to an integer that is the number to be used in the user interface.

Arguments:

None

Return Value:

An **Integer** containing the slot's unique ID

The \_SUN value is required to be unique among the slots of the same type. It is also recommended that this number match the slot number printed on the physical slot whenever possible.

### 6.1.9 **\_UID (Unique ID)**

This object provides OSPM with a logical device ID that does not change across reboots. This object is optional, but is required when the device has no other way to report a persistent unique device ID. The \_UID must be unique across all devices with either a common \_HID or \_CID. This is because a device needs to be uniquely identified to the OSPM, which may match on either a \_HID or a \_CID to identify the device. The uniqueness match must be true regardless of whether the OSPM uses the \_HID or the \_CID. OSPM typically uses the unique device ID to ensure that the device-specific information, such as network protocol binding information, is remembered for the device even if its relative location changes. For most integrated devices, this object contains a unique identifier.

A \_UID object evaluates to either a numeric value or a string.

Arguments:

None

Return Value:

An **Integer** or **String** containing the Unique ID

## 6.2 Device Configuration Objects

This section describes objects that provide OSPM with device specific information and allow OSPM to configure device operation and resource utilization.

OSPM uses device configuration objects to configure hardware resources for devices enumerated via ACPI. Device configuration objects provide information about current and possible resource requirements, the relationship between shared resources, and methods for configuring hardware resources.

**Note:** these objects must only be provided for devices that cannot be configured by any other hardware standard such as PCI, PCMCIA, and so on.

When OSPM enumerates a device, it calls \_PRS to determine the resource requirements of the device. It may also call \_CRS to find the current resource settings for the device. Using this information, the Plug and Play system determines what resources the device should consume and sets those resources by calling the device's \_SRS control method.

In ACPI, devices can consume resources (for example, legacy keyboards), provide resources (for example, a proprietary PCI bridge), or do both. Unless otherwise specified, resources for a device are assumed to be taken from the nearest matching resource above the device in the device hierarchy.

Some resources, however, may be shared amongst several devices. To describe this, devices that share a resource (resource consumers) must use the extended resource descriptors (0x7-0xA) described in section 6.4.3, “Large Resource Data Type.” These descriptors point to a single device object (resource producer) that claims the shared resource in its `_PRS`. This allows OSPM to clearly understand the resource dependencies in the system and move all related devices together if it needs to change resources. Furthermore, it allows OSPM to allocate resources only to resource producers when devices that consume that resource appear.

The device configuration objects are listed in Table 6-5.

**Table 6-5 Device Configuration Objects**

Object	Description
<code>_CDM</code>	Object that specifies a clock domain for a processor.
<code>_CRS</code>	Object that specifies a device’s <i>current</i> resource settings, or a control method that generates such an object.
<code>_DIS</code>	Control method that disables a device.
<code>_DMA</code>	Object that specifies a device’s <i>current</i> resources for DMA transactions.
<code>_FIX</code>	Object used to provide correlation between the fixed-hardware register blocks defined in the FADT and the devices that implement these fixed-hardware registers.
<code>_GSB</code>	Object that provides the Global System Interrupt Base for a hot-plugged I/O APIC device.
<code>_HPP</code>	Object that specifies the cache-line size, latency timer, SERR enable, and PERR enable values to be used when configuring a PCI device inserted into a hot-plug slot or initial configuration of a PCI device at system boot.
<code>_HPX</code>	Object that provides device parameters when configuring a PCI device inserted into a hot-plug slot or initial configuration of a PCI device at system boot. Supersedes <code>_HPP</code> .
<code>_MAT</code>	Object that evaluates to a buffer of MADT APIC Structure entries.
<code>_OSC</code>	An object OSPM evaluates to convey specific software support / capabilities to the platform allowing the platform to configure itself appropriately.
<code>_PRS</code>	An object that specifies a device’s <i>possible</i> resource settings, or a control method that generates such an object.
<code>_PRT</code>	Object that specifies the PCI interrupt routing table.
<code>_PXM</code>	Object that specifies a proximity domain for a device.
<code>_SLI</code>	Object that provides updated distance information for a system locality.
<code>_SRS</code>	Control method that sets a device’s settings.

### 6.2.1 `_CDM` (Clock Domain)

This optional object conveys the processor clock domain to which a processor belongs. A processor clock domain is a unique identifier representing the hardware clock source providing the input clock for a given set of processors. This clock source drives software accessible internal counters, such as the Time Stamp Counter, in each processor. Processor counters in the same clock domain are driven by the same hardware clock source. In multi-processor platforms that utilize multiple clock domains, such counters may exhibit drift when compared against processor counters on different clock domains.

The `_CDM` object evaluates to an integer that identifies the device as belonging to a specific clock domain. OSPM assumes that two devices in the same clock domain are connected to the same hardware clock.

Arguments:

None

Return Value:An **Integer** (DWORD) containing a clock domain identifier.

In the case the platform does not convey any clock domain information to OSPM via the SRAT or the `_CDM` object, OSPM assumes all logical processors to be on a common clock domain. If the platform defines `_CDM` object under a logical processor then it must define `_CDM` objects under all logical processors whose clock domain information is not provided via the SRAT.

**6.2.2 \_CRS (Current Resource Settings)**

This required object evaluates to a byte stream that describes the system resources currently allocated to a device. Additionally, a bus device must supply the resources that it decodes and can assign to its children devices. If a device is disabled, then `_CRS` returns a valid resource template for the device, but the actual resource assignments in the return byte stream are ignored. If the device is disabled when `_CRS` is called, it must remain disabled.

The format of the data contained in a `_CRS` object follows the formats defined in section 6.4, “Resource Data Types for ACPI,” a compatible extension of the formats specified in the PNPBIOS specification.<sup>9</sup> The resource data is provided as a series of data structures, with each of the resource data structures having a unique tag or identifier. The resource descriptor data structures specify the standard PC system resources, such as memory address ranges, I/O ports, interrupts, and DMA channels.

Arguments:

None

Return Value:A **Buffer** containing a resource descriptor byte stream**6.2.3 \_DIS (Disable)**

This control method disables a device. When the device is disabled, it must not be decoding any hardware resources. Prior to running this control method, OSPM will have already put the device in the D3 state.

When a device is disabled via the `_DIS`, the `_STA` control method for this device must return with the Disabled bit set.

Arguments:

None

Return Value:

None

**6.2.4 \_DMA (Direct Memory Access)**

This optional object returns a byte stream in the same format as a `_CRS` object. `_DMA` is only defined under devices that represent buses. It specifies the ranges the bus controller (bridge) decodes on the child-side of its interface. (This is analogous to the `_CRS` object, which describes the resources that the bus controller decodes on the parent-side of its interface.) Any ranges described in the resources of a `_DMA` object can be used by child devices for DMA or bus master transactions.

---

<sup>9</sup> Plug and Play BIOS Specification Version 1.0A, May 5, 1994, Compaq Computer Corp., Intel Corp., Phoenix Technologies Ltd.

The `_DMA` object is only valid if a `_CRS` object is also defined. OSPM must re-evaluate the `_DMA` object after an `_SRS` object has been executed because the `_DMA` ranges resources may change depending on how the bridge has been configured.

If the `_DMA` object is not present for a bus device, the OS assumes that any address placed on a bus by a child device will be decoded either by a device on the bus or by the bus itself, (in other words, all address ranges can be used for DMA).

For example, if a platform implements a PCI bus that cannot access all of physical memory, it has a `_DMA` object under that PCI bus that describes the ranges of physical memory that can be accessed by devices on that bus.

A `_DMA` object is not meant to describe any “map register” hardware that is set up for each DMA transaction. It is meant only to describe the DMA properties of a bus that cannot be changed without reevaluating the `_SRS` method.

Arguments:

None

Return Value:

A **Buffer** containing a resource descriptor byte stream

\_DMA Example ASL:

```

Device(BUS0)
{
    //
    // The _DMA method returns a resource template describing the
    // addresses that are decoded on the child side of this
    // bridge. The contained resource descriptors thus indicate
    // the address ranges that bus masters living below this
    // bridge can use to send accesses through the bridge toward a
    // destination elsewhere in the system (e.g. main memory).
    //
    // In our case, any bus master addresses need to fall between
    // 0 and 0x80000000 and will have 0x200000000 added as they
    // cross the bridge. Furthermore, any child-side accesses
    // falling into the range claimed in our _CRS will be
    // interpreted as a peer-to-peer traffic and will not be
    // forwarded upstream by the bridge.
    //
    // Our upstream address decoder will only claim one range from
    // 0x20000000 to 0x5fffffff in the _CRS. Therefore _DMA
    // should return two QWORDMemory descriptors, one describing
    // the range below and one describing the range above this
    // "peer-to-peer" address range.
    //
    Method(_DMA, ResourceTemplate()
    {
        QWORDMemory(
            ResourceConsumer,
            PosDecode,          // _DEC
            MinFixed,          // _MIF
            MaxFixed,          // _MAF
            Prefetchable,     // _MEM
            ReadWrite,         // _RW
            0,                 // _GRA
            0,                 // _MIN
            0x1fffffff,        // _MAX
            0x200000000,       // _TRA
            0x20000000,        // _LEN
            ,
            ,
            ,
        )
        QWORDMemory(
            ResourceConsumer,
            PosDecode,          // _DEC
            MinFixed,          // _MIF
            MaxFixed,          // _MAF
            Prefetchable,     // _MEM
            ReadWrite,         // _RW
            0,                 // _GRA
            0x60000000,        // _MIN
            0x7fffffff,        // _MAX
            0x200000000,       // _TRA
            0x20000000,        // _LEN
            ,
            ,
            ,
        )
    })
}

```

## 6.2.5 \_FIX (Fixed Register Resource Provider)

This optional object is used to provide a correlation between the fixed-hardware register blocks defined in the FADT and the devices in the ACPI namespace that implement these fixed-hardware registers. This object evaluates to a package of Plug and Play-compatible IDs (32-bit compressed EISA type IDs) that correlate to the fixed-hardware register blocks defined in the FADT. The device under which \_FIX appears plays a role in the implementation of the fixed-hardware (for example, implements the hardware or decodes the hardware's address). \_FIX conveys to OSPM whether a given device can be disabled, powered off, or should be treated specially by conveying its role in the implementation of the ACPI fixed-hardware register interfaces. This object takes no arguments.

The \_CRS object describes a device's resources. That \_CRS object may contain a superset of the resources in the FADT, as the device may actually decode resources beyond what the FADT requires. Furthermore, in a machine that performs translation of resources within I/O bridges, the processor-relative resources in the FADT may not be the same as the bus-relative resources in the \_CRS.

### Arguments:

None

### Return Value:

A variable-length **Package** containing a list of **Integers**, each containing a PNP ID

Each of fields in the FADT has its own corresponding Plug and Play ID, as shown below:

```

PNP0C20 - SMI_CMD
PNP0C21 - PM1a_EVT_BLK / X_PM1a_EVT_BLK
PNP0C22 - PM1b_EVT_BLK / X_PM1b_EVT_BLK
PNP0C23 - PM1a_CNT_BLK / X_PM1a_CNT_BLK
PNP0C24 - PM1b_CNT_BLK / X_PM1b_CNT_BLK
PNP0C25 - PM2_CNT_BLK / X_PM2_CNT_BLK
PNP0C26 - PM_TMR_BLK / X_PM_TMR_BLK
PNP0C27 - GPE0_BLK / X_GPE0_BLK
PNP0C28 - GPE1_BLK / X_GPE1_BLK
PNP0B00 - FIXED_RTC
PNP0B01 - FIXED_RTC
PNP0B02 - FIXED_RTC

```

Example ASL for \_FIX usage:

```

Scope(\_SB) {
    Device(PCI0) {
        Name(_HID, EISAID("PNP0A03")) // Need _HID for root device
        Name(_ADR,0) // Device 0 on this bus
        Method (_CRS,0){ // Need current resources for root device
            // Return current resources for root bridge 0
        }
        Name(_PRT, Package(){ // Need PCI IRQ routing for PCI bridge
            // Package with PCI IRQ routing table information
        })
        Name(_FIX, Package(1) {
            EISAID("PNP0C25")} // PM2 control ID
    )
}

```

```

Device (PX40) {
    Name(_ADR, 0x00070000) // ISA
    Name(_FIX, Package(1) {
        EISAID("PNP0C20")} // SMI command port
    )
    Device (NS17) { // NS17 (Nat. Semi 317, an ACPI part)
        Name(_HID, EISAID("PNP0C02"))
        Name(_FIX, Package(3) {
            EISAID("PNP0C22"), // PM1b event ID
            EISAID("PNP0C24"), // PM1b control ID
            EISAID("PNP0C28")} // GPE1 ID
        )
    } // end PX40

Device (PX43) { // PM Control
    Name(_ADR, 0x00070003)
    Name(_FIX, Package(4) {
        EISAID("PNP0C21"), // PM1a event ID
        EISAID("PNP0C23"), // PM1a control ID
        EISAID("PNP0C26"), // PM Timer ID
        EISAID("PNP0C27")} // GPE0 ID
    )
} // end PX43
} // end PCI0
} // end scope SB

```

## 6.2.6 \_GSB (Global System Interrupt Base)

\_GSB is an optional object that evaluates to an integer that corresponds to the Global System Interrupt Base for the corresponding I/O APIC device. The I/O APIC device may either be bus enumerated (e.g. as a PCI device) or enumerated in the namespace as described in Section 9.18, "I/O APIC Device". Any I/O APIC device that either supports hot-plug or is not described in the MADT must contain a \_GSB object.

If the I/O APIC device also contains a \_MAT object, OSPM evaluates the \_GSB object first before evaluating the \_MAT object. By providing the Global System Interrupt Base of the I/O APIC, this object enables OSPM to process only the \_MAT entries that correspond to the I/O APIC device. See section 6.2.8, "\_MAT (Multiple APIC Table Entry)". Since \_MAT is allowed to potentially return all the MADT entries for the entire platform, \_GSB is needed in the I/O APIC device scope to enable OSPM to identify the entries that correspond to that device.

If an I/O APIC device is activated by a device-specific driver, the physical address used to access the I/O APIC will be exposed by the driver and cannot be determined from the \_MAT object. In this case, OSPM cannot use the \_MAT object to determine the Global System Interrupt Base corresponding to the I/O APIC device and hence requires the \_GSB object.

The Global System Interrupt Base is a 64-bit value representing the corresponding I/OAPIC device as defined in Section 5.2.13, "Global System Interrupts".

### Arguments:

None

### Return Value:

An **Integer** containing the interrupt base



Example ASL for \_GSB usage for a non-PCI based I/O APIC Device:

```
Scope(\_SB) {
    ...
    Device(APIC) {
        Name(_HID, "ACPI0009") // I/O APIC Device
        Name(_CRS, ResourceTemplate() // ACPI ID for I/O APIC
            { ...}) // only one resource pointing to I/O APIC register base
        Method(_GSB){
            Return (0x10) // Global System Interrupt Base for I/O APIC starts at 16
        }
    } // end APIC
} // end scope SB
```

Example ASL for \_GSB usage for a PCI-based I/O APIC Device:

```
Scope(\_SB) {
    Device(PCI0) // Host bridge
        Name(_HID, EISAID("PNP0A03")) // Need _HID for root device
        Name(_ADR, 0)
        Device(PCI1) { // I/O APIC PCI Device
            Name(_ADR, 0x00070000)
            Method(_GSB){
                Return (0x18) // Global System Interrupt Base for I/O APIC starts at 24
            }
        } // end PCI1
    } // end PCI0
} // end scope SB
```

## 6.2.7 \_HPP (Hot Plug Parameters)

This optional object evaluates to a package containing the cache-line size, latency timer, SERR enable, and PERR enable values to be used when configuring a PCI device inserted into a hot-plug slot or for performing configuration of a PCI devices not configured by the BIOS at system boot. The object is placed under a PCI bus where this behavior is desired, such as a bus with hot-plug slots. \_HPP provided settings apply to all child buses, until another \_HPP object is encountered.

### Arguments:

None

### Return Value:

A **Package** containing the **Integer** hot-plug parameters

Example:

```
Method (_HPP, 0) {
    Return (Package(4){
        0x08, // CacheLineSize in DWORDS
        0x40, // LatencyTimer in PCI clocks
        0x01, // Enable SERR (Boolean)
        0x00 // Enable PERR (Boolean)
    })
}
```

**Table 6-6 \_HPP Package Contents**

Field	Object Type	Definition
Cache-line size	Integer	Cache-line size reported in number of DWORDs.
Latency timer	Integer	Latency timer value reported in number of PCI clock cycles.
Enable SERR	Integer	When set to 1, indicates that action must be performed to enable SERR in the command register.
Enable PERR	Integer	When set to 1, indicates that action must be performed to enable PERR in the command register.

### 6.2.7.1 Example: Using \_HPP

```

Scope(\_SB) {
  Device(PCI0) {
    Name(_HID, EISAID("PNP0A03")) // Root PCI Bus
    Name(_ADR, 0) // _HID for root device
    Name(_ADR, 0) // Device 0 on this bus
    Method (_CRS, 0) { // Need current resources for root dev
      // Return current resources for root bridge 0
    }
    Name(_PRT, Package() { // Need PCI IRQ routing for PCI bridge
      // Package with PCI IRQ routing table information
    })
  }

  Device (P2P1) { // First PCI-to-PCI bridge (No Hot Plug slots)
    Name(_ADR, 0x000C0000) // Device#Ch, Func#0 on bus PCI0
    Name(_PRT, Package() { // Need PCI IRQ routing for PCI bridge
      // Package with PCI IRQ routing table information
    })
  } // end P2P1

  Device (P2P2) { // Second PCI-to-PCI bridge (Bus contains Hot plug slots)
    Name(_ADR, 0x000E0000) // Device#Eh, Func#0 on bus PCI0
    Name(_PRT, Package() { // Need PCI IRQ routing for PCI bridge
      // Package with PCI IRQ routing table information
    })
    Name(_HPP, Package() { 0x08, 0x40, 0x01, 0x00 })

    // Device definitions for Slot 1- HOT PLUG SLOT
    Device (S1F0) { // Slot 1, Func#0 on bus P2P2
      Name(_ADR, 0x00020000)
      Method(_EJ0, 1) { // Remove all power to device}
    }
    Device (S1F1) { // Slot 1, Func#1 on bus P2P2
      Name(_ADR, 0x00020001)
      Method(_EJ0, 1) { // Remove all power to device}
    }
    Device (S1F2) { // Slot 1, Func#2 on bus P2P2
      Name(_ADR, 0x00020002)
      Method(_EJ0, 1) { // Remove all power to device}
    }
    Device (S1F3) { // Slot 1, Func#3 on bus P2P2
      Name(_ADR, 0x00020003)
      Method(_EJ0, 1) { // Remove all power to device}
    }
    Device (S1F4) { // Slot 1, Func#4 on bus P2P2
      Name(_ADR, 0x00020004)
      Method(_EJ0, 1) { // Remove all power to device}
    }
    Device (S1F5) { // Slot 1, Func#5 on bus P2P2
      Name(_ADR, 0x00020005)
      Method(_EJ0, 1) { // Remove all power to device}
    }
  }
}

```

```

Device (S1F6) { // Slot 1, Func#6 on bus P2P2
    Name(_ADR,0x00020006)
    Method(_EJ0, 1) { // Remove all power to device}
}
Device (S1F7) { // Slot 1, Func#7 on bus P2P2
    Name(_ADR,0x00020007)
    Method(_EJ0, 1) { // Remove all power to device}
}

// Device definitions for Slot 2- HOT PLUG SLOT
Device (S2F0) { // Slot 2, Func#0 on bus P2P2
    Name(_ADR,0x00030000)
    Method(_EJ0, 1) { // Remove all power to device}
}
Device (S2F1) { // Slot 2, Func#1 on bus P2P2
    Name(_ADR,0x00030001)
    Method(_EJ0, 1) { // Remove all power to device}
}
Device (S2F2) { // Slot 2, Func#2 on bus P2P2
    Name(_ADR,0x00030002)
    Method(_EJ0, 1) { // Remove all power to device}
}
Device (S2F3) { // Slot 2, Func#3 on bus P2P2
    Name(_ADR,0x00030003)
    Method(_EJ0, 1) { // Remove all power to device}
}
Device (S2F4) { // Slot 2, Func#4 on bus P2P2
    Name(_ADR,0x00030004)
    Method(_EJ0, 1) { // Remove all power to device}
}
Device (S2F5) { // Slot 2, Func#5 on bus P2P2
    Name(_ADR,0x00030005)
    Method(_EJ0, 1) { // Remove all power to device}
}
Device (S2F6) { // Slot 2, Func#6 on bus P2P2
    Name(_ADR,0x00030006)
    Method(_EJ0, 1) { // Remove all power to device}
}
Device (S2F7) { // Slot 2, Func#7 on bus P2P2
    Name(_ADR,0x00030007)
    Method(_EJ0, 1) { // Remove all power to device}
}
} // end P2P2
} // end PCI0
} // end Scope (\_SB)

```

OSPM will configure a PCI device on a card hot-plugged into slot 1 or slot 2, with a cache line size of 32 (Notice this field is in DWORDs), latency timer of 64, enable SERR, but leave PERR alone.

## 6.2.8 \_HPX (Hot Plug Parameter Extensions)

This optional object provides platform-specific information to the OSPM PCI driver component responsible for configuring hot-add PCI, PCI-X, or PCI Express devices. The information conveyed applies to the entire hierarchy downward from the scope containing the \_HPX object. If another \_HPX object is encountered downstream, the settings conveyed by the lower-level object apply to that scope downward.

OSPM uses the information returned by \_HPX to determine how to configure PCI devices that are hot-plugged into the system, and to configure devices not configured by the platform firmware during initial system boot. The \_HPX object is placed within the scope of a PCI-compatible bus (see Note 2 below for restrictions) where this behavior is desired, such as a bus with hot-plug slots. It returns a single package that contains one or more sub-packages, each containing a single Setting Record. Each such Setting Record contains a Setting Type (INTEGER), a Revision number (INTEGER) and type/revision specific contents.

The format of data returned by the `_HPX` object is extensible. The Setting Type and Revision number determine the format of the Setting Record. OSPM ignores Setting Records of types that it does not understand. A Setting Record with higher Revision number supersedes that with lower revision number, however, the `_HPX` method can return both together, OSPM shall use the one with highest revision number that it understands.

`_HPX` may return multiple types or Record Settings (each setting in a single sub-package.) OSPM is responsible for detecting the type of hot plugged device and for applying the appropriate settings. OSPM is also responsible for detecting the device / port type of the PCI Express device and applying the appropriate settings provided. For example, the Secondary Uncorrectable Error Severity and Secondary Uncorrectable Error Mask settings of Type 2 record are only applicable to PCI Express to PCI-X/PCI Bridge whose device / port type is 1000b. Similarly, AER settings are only applicable to hot plug PCI Express devices that support the optional AER capability.

Arguments:

None

Return Value:

A variable-length **Package** containing a list of **Packages**, each containing a single PCI or PCI-X Record Setting as described below

The `_HPX` object supersedes the `_HPP` object. If the `_HPP` and `_HPX` objects exist within a device's scope, OSPM will only evaluate the `_HPX` object.

Notes:

- 1) OSPM may override the settings provided by the `_HPX` object's Type2 record (PCI Express Settings) when OSPM has assumed native control of the corresponding feature. For example, if OSPM has assumed ownership of AER (via `_OSC`), OSPM may override AER related settings returned by `_HPX`.
- 2) The `_HPX` object may exist under PCI compatible buses including host bridges except when the host bridge spawns a PCI Express hierarchy. For PCI Express hierarchies, the `_HPX` object may only exist under a root port or a switch downstream port.
- 3) Since error status registers do not drive error signaling, OSPM is not required to clear error status registers as part of `_HPX` handling.

### 6.2.8.1 PCI Setting Record (Type 0)

The PCI setting record contains the setting type 0, the current revision 1 and the type/revision specific content: cache-line size, latency timer, SERR enable, and PERR enable values.

**Table 6-7 PCI Setting Record Content**

Field	Object Type	Definition
<u>Header:</u>		
Type	<b>Integer</b>	0x00: Type 0 (PCI) setting record.
Revision	<b>Integer</b>	0x01: Revision 1, defining the set of fields below.
Cache-line size	<b>Integer</b>	Cache-line size reported in number of DWORDs.
Latency timer	<b>Integer</b>	Latency timer value reported in number of PCI clock cycles.
Enable SERR	<b>Integer</b>	When set to 1, indicates that action must be performed to enable SERR in the command register.
Enable PERR	<b>Integer</b>	When set to 1, indicates that action must be performed to enable PERR in the command register.

If the hot plug device includes bridge(s) in the hierarchy, the above settings apply to the primary side (command register) of the hot plugged bridge(s). The settings for the secondary side of the bridge(s) (Bridge Control Register) are assumed to be provided by the bridge driver.

The Type 0 record is applicable to hot plugged PCI, PCI-X and PCI Express devices. OSPM will ignore settings provided in the Type0 record that are not applicable (for example, Cache-line size and Latency Timer are not applicable to PCI Express).

### 6.2.8.2 PCI-X Setting Record (Type 1)

The PCI-X setting record contains the setting type 1, the current revision 1 and the type/revision specific content: the maximum memory read byte count setting, the average maximum outstanding split transactions setting and the total maximum outstanding split transactions to be used when configuring PCI-X command registers for PCI-X buses and/or devices.

**Table 6-8 PCI-X Setting Record Content**

Field	Object Type	Definition
<u>Header:</u>		
Type	<b>Integer</b>	0x01: Type 1 (PCI-X) setting record.
Revision	<b>Integer</b>	0x01: Revision 1, defining the set of fields below.
Maximum memory read byte count	<b>Integer</b>	Maximum memory read byte count reported: Value 0: Maximum byte count 512 Value 1: Maximum byte count 1024 Value 2: Maximum byte count 2048 Value 3: Maximum byte count 4096
Average maximum outstanding split transactions	<b>Integer</b>	The following values are defined: Value 0: Maximum outstanding split transaction 1 Value 1: Maximum outstanding split transaction 2 Value 2: Maximum outstanding split transaction 3 Value 3: Maximum outstanding split transaction 4 Value 4: Maximum outstanding split transaction 8 Value 5: Maximum outstanding split transaction 12 Value 6: Maximum outstanding split transaction 16 Value 7: Maximum outstanding split transaction 32
Total maximum outstanding split transactions	<b>Integer</b>	See the definition for the average maximum outstanding split transactions.

For simplicity, OSPM could use the Average Maximum Outstanding Split Transactions value as the Maximum Outstanding Split Transactions register value in the PCI-X command register for each PCI-X device. Another alternative is to use a more sophisticated policy and the Total Maximum Outstanding Split Transactions Value to gain even more performance. In this case, the OS would examine each PCI-X device that is directly attached to the host bridge, determine the number of outstanding split transactions supported by each device, and configure each device accordingly. The goal is to ensure that the aggregate number of concurrent outstanding split transactions does not exceed the Total Maximum Outstanding Split Transactions Value: an integer denoting the number of concurrent outstanding split transactions the host bridge can support (the minimum value is 1).

This object does not address providing additional information that would be used to configure registers in bridge devices, whether architecturally-defined or specification-defined registers or device specific registers. It is expected that a driver for a bridge would be the proper implementation mechanism to address both of those issues. However, such a bridge driver should have access to the data returned by the `_HPX` object for use in optimizing its decisions on how to configure the bridge. Configuration of a bridge is dependent on both system specific information such as that provided by the `_HPX` object, as well as bridge specific information.

### 6.2.8.3 PCI Express Setting Record (Type 2)

The PCI Express setting record contains the setting type 2, the current revision 1 and the type/revision specific content (the control registers as listed in the table below) to be used when configuring registers in the Advanced Error Reporting Extended Capability Structure or PCI Express Capability Structure for the PCI Express devices.

The Type 2 Setting Record allows a PCI Express-aware OS that supports native hot plug to configure the specified registers of the hot plugged PCI Express device. A PCI Express-aware OS that has assumed ownership of native hot plug (via `_OSC`) but does not support or does not have ownership of the AER register set must use the data values returned by the `_HPX` object's Type 2 record to program the AER registers of a hot-added PCI Express device. However, since the Type 2 record also includes register bits that have functions other than AER, OSPM must ignore values contained within this setting record that are not applicable.

To support PCIe RsvdP semantics for reserved bits, two values for each register are provided: an “AND mask” and an “OR mask”. Each bit understood by firmware to be RsvdP shall be set to 1 in the “AND mask” and 0 in the “OR mask”. Each bit that firmware intends to be configured as 0 shall be set to 0 in both the “AND mask” and the “OR mask”. Each bit that firmware intends to be configured a 1 shall be set to 1 in both the “AND mask” and the “OR mask”.

When configuring a given register, OSPM uses the following algorithm:

1. Read the register's current value, which contains the register's default value.
2. Perform a bit-wise AND operation with the “AND mask” from the table below.
3. Perform a bit-wise OR operation with the “OR mask” from the table below.
4. Override the computed settings for any bits if deemed necessary. For example, if OSPM is aware of an architected meaning for a bit that firmware considers to be RsvdP, OSPM may choose to override the computed setting for that bit. Note that firmware sets the “AND value” to 1 and the “OR value” to 0 for each bit that it considers to be RsvdP.
5. Write the end result value back to the register.

Note that the size of each field in the following table matches the size of the corresponding PCI Express register.

**Table 6-9 PCI Express Setting Record Content**

Field	Object Type	Definition
<u>Header:</u>		
Type	<b>Integer</b>	0x02: Type 2 (PCI Express) setting record.
Revision	<b>Integer</b>	0x01: Revision 1, defining the set of fields below.
Uncorrectable Error Mask Register AND Mask	<b>Integer</b>	Bits 0 to 31 contain the “AND mask” to be used in the OSPM algorithm described above.
Uncorrectable Error Mask Register OR Mask	<b>Integer</b>	Bits 0 to 31 contain the “OR mask” to be used in the OSPM algorithm described above.

Field	Object Type	Definition
Uncorrectable Error Severity Register AND Mask	Integer	Bits 0 to 31 contain the “AND mask” to be used in the OSPM algorithm described above.
Uncorrectable Error Severity Register OR Mask	Integer	Bits 0 to 31 contain the “OR mask” to be used in the OSPM algorithm described above.
Correctable Error Mask Register AND Mask	Integer	Bits 0 to 31 contain the “AND mask” to be used in the OSPM algorithm described above.
Correctable Error Mask Register OR Mask	Integer	Bits 0 to 31 contain the “OR mask” to be used in the OSPM algorithm described above.
Advanced Error Capabilities and Control Register AND Mask	Integer	Bits 0 to 31 contain the “AND mask” to be used in the OSPM algorithm described above.
Advanced Error Capabilities and Control Register OR Mask	Integer	Bits 0 to 31 contain the “OR mask” to be used in the OSPM algorithm described above.
Device Control Register AND Mask	Integer	Bits 0 to 15 contain the “AND mask” to be used in the OSPM algorithm described above.
Device Control Register OR Mask	Integer	Bits 0 to 15 contain the “OR mask” to be used in the OSPM algorithm described above.
Link Control Register AND Mask	Integer	Bits 0 to 15 contain the “AND mask” to be used in the OSPM algorithm described above.
Link Control Register OR Mask	Integer	Bits 0 to 15 contain the “OR mask” to be used in the OSPM algorithm described above.
Secondary Uncorrectable Error Severity Register AND Mask	Integer	Bits 0 to 31 contain the “AND mask” to be used in the OSPM algorithm described above.
Secondary Uncorrectable Error Severity Register OR Mask	Integer	Bits 0 to 31 contain the “OR mask” to be used in the OSPM algorithm described above.
Secondary Uncorrectable Error Mask Register AND Mask	Integer	Bits 0 to 31 contain the “AND mask” to be used in the OSPM algorithm described above.
Secondary Uncorrectable Error Mask Register OR Mask	Integer	Bits 0 to 31 contain the “OR mask” to be used in the OSPM algorithm described above.

#### 6.2.8.4 \_HPX Example

```

Method (_HPX, 0) {
    Return (Package(2){
        Package(6){           // PCI Setting Record
            0x00,             // Type 0
            0x01,             // Revision 1
            0x08,             // CacheLineSize in DWORDS
            0x40,             // LatencyTimer in PCI clocks
            0x01,             // Enable SERR (Boolean)
            0x00,             // Enable PERR (Boolean)
        },
        Package(5){          // PCI-X Setting Record
            0x01,             // Type 1
            0x01,             // Revision 1
            0x03,             // Maximum Memory Read Byte Count
            0x04,             // Average Maximum Outstanding Split Transactions
            0x07,             // Total Maximum Outstanding Split Transactions
        }
    })
}

```

## 6.2.9 \_MAT (Multiple APIC Table Entry)

This optional object evaluates to a buffer returning data in the format of a series of Multiple APIC Description Table (MADT) APIC Structure entries. This object can appear under an I/O APIC or processor object definition as processors may contain Local APICs. Specific types of MADT entries are meaningful to (in other words, is processed by) OSPM when returned via the evaluation of this object as described below. Other entry types returned by the evaluation of \_MAT are ignored by OSPM.

When \_MAT appears under a Processor object, OSPM processes Local APIC (section 5.2.12.2, “Processor Local APIC Structure”), Local SAPIC Structure (section 5.2.12.10, “Local SAPIC Structure”), and local APIC NMI (section 5.2.12.7, “Local APIC NMI Structure”) entries returned from the object’s evaluation. Other entry types are ignored by OSPM. OSPM uses the ACPI processor ID in the entries returned from the object’s evaluation to identify the entries corresponding to either the ACPI processor ID of the Processor object or the value returned by the \_UID object under a Processor device.

When \_MAT appears under an I/O APIC, OSPM processes I/O APIC (section 5.2.12.3, “I/O APIC Structure”), I/O SAPIC (section 5.2.12.9, “I/O SAPIC Structure”), non-maskable interrupt sources (section 5.2.12.6, “Non-Maskable Interrupt Source Structure”), interrupt source overrides (section 5.2.12.5, “Interrupt Source Override Structure”), and platform interrupt source structure (section 5.2.12.11, “Platform Interrupt Source Structure”) entries returned from the object’s evaluation. Other entry types are ignored by OSPM.

### Arguments:

None

### Return Value:

A **Buffer** containing a list of APIC structure entries

Example ASL for \_MAT usage:

```
Scope(\_SB) {
  Device(PCI0) {
    Name(_HID, EISAID("PNP0A03")) // Root PCI Bus
    Name(_ADR,0) // Need _HID for root device
    Name(_ADR,0) // Device 0 on this bus
    Method (_CRS,0){ // Need current resources for root device
      // Return current resources for root bridge 0
    }
    Name(_PRT, Package()){ // Need PCI IRQ routing for PCI bridge
      // Package with PCI IRQ routing table information
    })

    Device (P64A) { // P64A ACPI
      Name(_ADR,0)
      OperationRegion(TABD, SystemMemory, //Physical address of first
        // data byte of multiple ACPI table, Length of tables)
      Field (TABD, ByteAcc, NoLock, Preserve){
        MATD, Length of tables x 8
      }
      Method(_MAT, 0){
        Return (MATD)
      }
    } // end P64A
  } // end PCI0
} // end scope SB
```



### 6.2.10 \_OSC (Operating System Capabilities)

This optional object is a control method that is used by OSPM to communicate to the platform the feature support or capabilities provided by a device's driver. This object is a child object of a device and may also exist in the \\_SB scope, where it can be used to convey platform wide OSPM capabilities. When supported, \_OSC is invoked by OSPM immediately after placing the device in the D0 power state. Device specific objects are evaluated **after** \_OSC invocation. This allows the values returned from other objects to be predicated on the OSPM feature support / capability information conveyed by \_OSC. OSPM may evaluate \_OSC multiple times to indicate changes in OSPM capability to the device but this may be precluded by specific device requirements. As such, \_OSC usage descriptions in section 9, "ACPI-Defined Devices and Device Specific Objects", or other governing specifications describe superseding device specific \_OSC capabilities and / or preclusions.

\_OSC enables the platform to configure its ACPI namespace representation and object evaluations to match the capabilities of OSPM. This enables legacy operating system support for platforms with new features that make use of new namespace objects that if exposed would not be evaluated when running a legacy OS. \_OSC provides the capability to transition the platform to native operating system support of new features and capabilities when available through dynamic namespace reconfiguration. \_OSC also allows devices with Compatible IDs to provide superset functionality when controlled by their native (For example, \_HID matched) driver as appropriate objects can be exposed accordingly as a result of OSPM's evaluation of \_OSC.

#### Arguments: (4)

- Arg0 – A **Buffer** containing a UUID
- Arg1 – An **Integer** containing a Revision ID of the buffer format
- Arg2 – An **Integer** containing a count of entries in Arg3
- Arg3 – A **Buffer** containing a list of DWORD capabilities

#### Return Value:

- A **Buffer** containing a list of capabilities

#### Argument Information

Arg0: UUID – Universal Unique Identifier (16 Byte Buffer) used by the platform in conjunction with Revision ID to ascertain the format of the Capabilities buffer.

Arg1: Revision ID – The revision of the Capabilities Buffer format. The revision level is specific to the UUID.

Arg2: Count – Number of DWORDs in the Capabilities Buffer in Arg3

Arg3: Capabilities Buffer – Buffer containing the number of DWORDs indicated by Count. The first DWORD of this buffer contains standard bit definitions as described below. Subsequent DWORDs contain UUID-specific bits that convey to the platform the capabilities and features supported by OSPM. Successive revisions of the Capabilities Buffer must be backwards compatible with earlier revisions. Bit ordering cannot be changed.

Capabilities Buffers are device-specific and as such are described under specific device definitions. See section 9, "ACPI Devices and Device Specific Objects" for any \_OSC definitions for ACPI devices. The format of the Capabilities Buffer and behavior rules may also be specified by OEMs and IHVs for custom devices and other interface or device governing bodies for example, the PCI SIG.

The first DWORD in the capabilities buffer is used to return errors defined by \_OSC. This DWORD must always be present and may not be redefined/reused by unique interfaces utilizing \_OSC.

- Bit 0- Query Support Flag. If set, the \_OSC invocation is a query by OSPM to determine or negotiate with the platform the combination of capabilities for which OSPM may take control. In this case, OSPM sets bits in the subsequent DWORDs to specify the capabilities for which OSPM intends to take control. If clear, OSPM is attempting to take control of the capabilities corresponding to the bits set in subsequent DWORDs. OSPM may only take control of capabilities as indicated by the platform by the result of the query.

- Bit 1 – Always clear (0).
- Bit 2 – Always clear (0).
- Bit 3 – Always clear (0).
- All others – reserved.

### **Return Value Information**

Capabilities Buffer (Buffer) – The platform acknowledges the Capabilities Buffer by returning a buffer of DWORDs of the same length. Set bits indicate acknowledgement that OSPM may take control of the capability and cleared bits indicate that the platform either does not support the capability or that OSPM may not assume control.

The first DWORD in the capabilities buffer is used to return errors defined by `_OSC`. This DWORD must always be present and may not be redefined/reused by unique interfaces utilizing `_OSC`.

- Bit 0 – Reserved (not used)
- Bit 1 – `_OSC` failure. Platform Firmware was unable to process the request or query. Capabilities bits may have been masked.
- Bit 2 – Unrecognized UUID. This bit is set to indicate that the platform firmware does not recognize the UUID passed in via `Arg0`. Capabilities bits are preserved.
- Bit 3 – Unrecognized Revision. This bit is set to indicate that the platform firmware does not recognize the Revision ID passed in via `Arg1`. Capabilities bits beyond those comprehended by the firmware will be masked.
- Bit 4 – Capabilities Masked. This bit is set to indicate that capabilities bits set by driver software have been cleared by platform firmware.
- All others – reserved.

Note: OSPM must not use the results of `_OSC` evaluation to choose a compatible device driver. OSPM must use `_HID`, `_CID`, or native enumerable bus device identification mechanisms to select an appropriate driver for a device.

The platform may issue a **Notify**(device, 0x08) to inform OSPM to re-evaluate `_OSC` when the availability of feature control changes. Platforms must **not** rely, however, on OSPM to evaluate `_OSC` after issuing a **Notify** for proper operation as OSPM cannot guarantee the presence of a target entity to receive and process the **Notify** for the device. For example, a device driver for the device may not be loaded at the time the **Notify** is signaled. Further, the issuance and processing rules for notification of changes in the Capabilities Buffer is device specific. As such, the allowable behavior is governed by device specifications either in section 9, “ACPI-Specific Device Objects”, for ACPI-define devices, or other OEM, IHV, or device governing body’s device specifications.

It is permitted for `_OSC` to return all bits in the Capabilities Buffer cleared. An example of this is when significant time is required to disable platform-based feature support. The platform may then later issue a **Notify** to tell OSPM to re-evaluate `_OSC` to take over native control. This behavior is also device specific but may also rely on specific OS capability.

In general, platforms should support both OSPM taking and relinquishing control of specific feature support via multiple invocations of `_OSC` but the required behavior may vary on a per device basis.

Since platform context is lost when the platform enters the S4 sleeping state, OSPM must re-evaluate `_OSC` upon wake from S4 to restore the previous platform state. This requirement will vary depending on the device specific `_OSC` functionality.

### 6.2.10.1 Rules for Evaluating \_OSC

This section defines when and how the OS must evaluate \_OSC, as well as restrictions on firmware implementation.

#### 6.2.10.1.1 Query Flag

If the Query Support Flag (Capabilities DWORD 1, bit 0 ) is set by the OS when evaluating \_OSC, no hardware settings are permitted to be changed by firmware in the context of the \_OSC call. It is strongly recommended that the OS evaluate \_OSC with the Query Support Flag set until \_OSC returns the Capabilities Masked bit clear, to negotiate the set of features to be granted to the OS for native support; a platform may require a specific combination of features to be supported natively by an OS before granting native control of a given feature.

#### 6.2.10.1.2 Evaluation Conditions

The OS must evaluate \_OSC under the following conditions:

During initialization of any driver that provides native support for features described in the section above. These features may be supported by one or many drivers, but should only be evaluated by the main bus driver for that hierarchy. Secondary drivers must coordinate with the bus driver to install support for these features. Drivers may not relinquish control of features previously obtained (i.e., bits set in Capabilities DWORD3 after the negotiation process must be set on all subsequent negotiation attempts.)

When a Notify(<device>, 8) is delivered to the PCI Host Bridge device.

Upon resume from S4. Platform firmware will handle context restoration when resuming from S1-S3.

#### 6.2.10.1.3 Sequence of \_OSC calls

The following rules govern sequences of calls to \_OSC that are issued to the same host bridge and occur within the same boot.

- The OS is permitted to evaluate \_OSC an arbitrary number of times.
- If the OS declares support of a feature in the Status Field in one call to \_OSC, then it must preserve the set state of that bit (declaring support for that feature) in all subsequent calls.
- If the OS is granted control of a feature in the Control Field in one call to \_OSC, then it must preserve the set state of that bit (requesting that feature) in all subsequent calls.
- Firmware may not reject control of any feature it has previously granted control to.
- There is no mechanism for the OS to relinquish control of a feature previously requested and granted.

### 6.2.10.2 Platform-Wide OSPM Capabilities

OSPM evaluates \\_SB.\_OSC to convey platform-wide OSPM capabilities to the platform. Argument definitions are as follows:

Arguments: (4)

Arg0 – UUID (**Buffer**): 0811B06E-4A27-44F9-8D60-3CBBC22E7B48

Arg1 – Revision ID (**Integer**): 1

Arg2 – Count of Entries in Arg3 (**Integer**): 2

Arg3 – DWORD capabilities (**Buffer**): First DWORD: as described in section 6.2.9, Second DWORD: See Table 6-10

**Table 6-10 Platform-Wide \_OSC Capabilities DWORD 2**

Bits	Field Name	Definition
0	Processor Aggregator Device Support	This bit is set if OSPM supports the Processor Aggregator device as described in Section 8.5, “Processor Aggregator Device”
1	_PPC _OST Processing Support	This bit is set if OSPM will evaluate the _OST object defined under a processor as a result of _PPC change notification (Notify 0x80)
2	_PR3 Support	This bit is set if OSPM supports reading _PR3 and using power resources to switch power. Note this handshake translates to an operating model that the platform and OSPM supports both the power model containing both D3hot and D3.
3	Insertion / Ejection _OST Processing Support	This bit is set if OSPM will evaluate the _OST object defined under a device when processing insertion and ejection source event codes.
4	APEI Support	This bit is set if OSPM supports the ACPI Platform Error Interfaces. See Section 17, “ACPI Platform Error Interfaces”.
31:5		<i>Reserved (must be 0)</i>

**Return Value Information**

Capabilities Buffer (Buffer) – The platform acknowledges the Capabilities Buffer by returning a buffer of DWORDs of the same length. Set bits indicate acknowledgement and cleared bits indicate that the platform does not support the capability.

**6.2.10.3 \_OSC Implementation Example for PCI Host Bridge Devices**

The following section is an excerpt from the PCI Firmware Specification Revision 3.0 and is reproduced with the permission of the PCI SIG. **Note: The PCI SIG owns the definition of \_OSC behavior and parameter bit definitions for PCI devices. In the event of a discrepancy between the following example and the PCI Firmware Specification, the latter has precedence.**

The \_OSC interface defined in this section applies only to “Host Bridge” ACPI devices that originate PCI, PCI-X or PCI Express hierarchies. These ACPI devices must have a \_HID of (or \_CID including) either EISAID(“PNP0A03”) or EISAID(“PNP0A08”). For a host bridge device that originates a PCI Express hierarchy, the \_OSC interface defined in this section is required. For a host bridge device that originates a PCI/PCI-X bus hierarchy, inclusion of an \_OSC object is optional.

The \_OSC interface for a PCI/PCI-X/PCI Express hierarchy is identified by the following Universal Uniform Identifier (UUID):

**33DB4D5B-1FF7-401C-9657-7441C03DD766**

A revision ID of 1 encompasses fields defined in this section of this revision of this specification, comprised of 3 DWORDs, including the first DWORD described by the generic ACPI definition of \_OSC.

The first DWORD in the \_OSC Capabilities Buffer contain bits are generic to \_OSC and include status and error information.

The second DWORD in the \_OSC capabilities buffer is the Support Field. Bits defined in the Support Field provide information regarding OS supported features. Contents in the Support Field are passed one-way; the OS will disregard any changes to this field when returned. See Table 6-8 for descriptions of capabilities bits in this field passed as a parameter into the \_OSC control method.

The third DWORD in the \_OSC Capabilities Buffer is the Control Field. Bits defined in the Control Field are used to submit request by the OS for control/handling of the associated feature, typically (but not excluded to) those features that utilize native interrupts or events handled by an OS-level driver. See Table 6-10 for descriptions of capabilities bits in this field passed as a parameter into the \_OSC control method. If any bits in the Control Field are returned cleared (masked to zero) by the \_OSC control method, the respective feature is designated unsupported by the platform and must not be enabled by the OS. Some of these features may be controlled by platform firmware prior to OS boot or during runtime for a legacy OS, while others may be disabled/inoperative until native OS support is available. See Table 6-11 for descriptions of capabilities bits in this returned field.

If the \_OSC control method is absent from the scope of a host bridge device, then the OS must not enable or attempt to use any features defined in this section for the hierarchy originated by the host bridge. Doing so could contend with platform firmware operations, or produce undesired results. It is recommended that a machine with multiple host bridge devices should report the same capabilities for all host bridges, and also negotiate control of the features described in the Control Field in the same way for all host bridges.

**Table 6-11 Interpretation of \_OSC Support Field**

Support Field bit offset	Interpretation
0	<p>Extended PCI Config operation regions supported</p> <p>The OS sets this bit to 1 if it supports ASL accesses through PCI Config operation regions to extended configuration space (offsets greater than 0xFF). Otherwise, the OS sets this bit to 0.</p>
1	<p>Active State Power Management supported</p> <p>The OS sets this bit to 1 if it natively supports configuration of Active State Power Management registers in PCI Express devices. Otherwise, the OS sets this bit to 0.</p>
2	<p>Clock Power Management Capability supported</p> <p>The OS sets this bit to 1 if it supports the Clock Power Management Capability, and will enable this feature during a native hot plug insertion event if supported by the newly added device. Otherwise, the OS sets this bit to 0.</p> <p><i>Note: The Clock Power Management Capability is defined in an errata to the PCI Express Base Specification, 1.0.</i></p>
3	<p>PCI Segment Groups supported</p> <p>The OS sets this bit to 1 if it supports PCI Segment Groups as defined by the _SEG object, and access to the configuration space of devices in PCI Segment Groups as described by this specification. Otherwise, the OS sets this bit to 0.</p>
4	<p>MSI supported</p> <p>The OS sets this bit to 1 if it supports configuration of devices to generate message-signaled interrupts, either through the MSI Capability or the MSI-X Capability. Otherwise, the OS sets this bit to 0.</p>
5-31	Reserved

**Table 6-12 Interpretation of \_OSC Control Field, Passed in via Arg3**

<b>Control Field bit offset</b>	<b>Interpretation</b>
0	<p>PCI Express Native Hot Plug control</p> <p>The OS sets this bit to 1 to request control over PCI Express native hot plug. If the OS successfully receives control of this feature, it must track and update the status of hot plug slots and handle hot plug events as described in the PCI Express Base Specification.</p>
1	<p>SHPC Native Hot Plug control</p> <p>The OS sets this bit to 1 to request control over PCI/PCI-X Standard Hot-Plug Controller (SHPC) hot plug. If the OS successfully receives control of this feature, it must track and update the status of hot plug slots and handle hot plug events as described in the SHPC Specification.</p>
2	<p>PCI Express Native Power Management Events control</p> <p>The OS sets this bit to 1 to request control over PCI Express native power management event interrupts (PMEs). If the OS successfully receives control of this feature, it must handle power management events as described in the PCI Express Base Specification.</p>
3	<p>PCI Express Advanced Error Reporting control</p> <p>The OS sets this bit to 1 to request control over PCI Express Advanced Error Reporting. If the OS successfully receives control of this feature, it must handle error reporting through the Advanced Error Reporting Capability as described in the PCI Express Base Specification.</p>
4	<p>PCI Express Capability Structure control</p> <p>The OS sets this bit to 1 to request control over the PCI Express Capability Structures (standard and extended) defined in the PCI Express Base Specification version 1.1. These capability structures are the PCI Express Capability, the virtual channel extended capability, the power budgeting extended capability, the advanced error reporting extended capability, and the serial number extended capability. If the OS successfully receives control of this feature, it is responsible for configuring the registers in all PCI Express Capabilities in a manner that complies with the PCI Express Base Specification. Additionally, the OS is responsible for saving and restoring all PCI Express Capability register settings across power transitions when register context may have been lost.</p>
5-31	Reserved

**Table 6-13 Interpretation of \_OSC Control Field, Returned Value**

<b>Control Field bit offset</b>	<b>Interpretation</b>
0	<p>PCI Express Native Hot Plug control</p> <p>The firmware sets this bit to 1 to grant control over PCI Express native hot plug interrupts. If firmware allows the OS control of this feature, then in the context of the _OSC method it must ensure that all hot plug events are routed to device interrupts as described in the PCI Express Base Specification. Additionally, after control is transferred to the OS, firmware must not update the state of hot plug slots, including the state of the indicators and power controller. If control of this feature was requested and denied or was not requested, firmware returns this bit set to 0.</p>
1	<p>SHPC Native Hot Plug control</p> <p>The firmware sets this bit to 1 to grant control over control over PCI/PCI-X Standard Hot-Plug Controller (SHPC)hot plug. If firmware allows the OS control of this feature, then in the context of the _OSC method it must ensure that all hot plug events are routed to device interrupts as described in the SHPC Specification. Additionally, after control is transferred to the OS, firmware must not update the state of hot plug slots, including the state of the indicators and power controller. If control of this feature was requested and denied or was not requested, firmware returns this bit set to 0.</p>
2	<p>PCI Express Native Power Management Events control</p> <p>The firmware sets this bit to 1 to grant control over control over PCI Express native power management event interrupts (PMEs). If firmware allows the OS control of this feature, then in the context of the _OSC method it must ensure that all PMEs are routed to root port interrupts as described in the PCI Express Base Specification. Additionally, after control is transferred to the OS, firmware must not update the PME Status field in the Root Status register or the PME Interrupt Enable field in the Root Control register. If control of this feature was requested and denied or was not requested, firmware returns this bit set to 0.</p>
3	<p>PCI Express Advanced Error Reporting control</p> <p>The firmware sets this bit to 1 to grant control over PCI Express Advanced Error Reporting. If firmware allows the OS control of this feature, then in the context of the _OSC method it must ensure that error messages are routed to device interrupts as described in the PCI Express Base Specification. Additionally, after control is transferred to the OS, firmware must not modify the Advanced Error Reporting Capability. If control of this feature was requested and denied or was not requested, firmware returns this bit set to 0.</p>
4	<p>PCI Express Capability Structure control</p> <p>The firmware sets this bit to 1 to grant control over the PCI Express Capability. If the firmware does not grant control of this feature, firmware must handle configuration of the PCI Express Capability Structure.</p> <p>If firmware grants the OS control of this feature, any firmware configuration of the PCI Express Capability may be overwritten by an OS configuration, depending on OS policy.</p>
5-31	Reserved

#### 6.2.10.4 ASL Example

A sample \_OSC implementation for a mobile system incorporating a PCI Express hierarchy is shown below:

## 232 Advanced Configuration and Power Interface Specification

```

Device(PCI0) // Root PCI bus
{
    Name(_HID,EISAID("PNP0A08")) // PCI Express Root Bridge
    Name(_CID,EISAID("PNP0A03")) // Compatible PCI Root Bridge
    Name(SUPP,0) // PCI _OSC Support Field value
    Name(CTRL,0) // PCI _OSC Control Field value

    Method(_OSC,4)
    { // Check for proper UUID
        If(LEqual(Arg0,ToUUID("33DB4D5B-1FF7-401C-9657-7441C03DD766")))
        {
            // Create DWord-addressable fields from the Capabilities Buffer
            CreatedWordField(Arg3,0,CDW1)
            CreatedWordField(Arg3,4,CDW2)
            CreatedWordField(Arg3,8,CDW3)

            // Save Capabilities DWord2 & 3
            Store(CDW2,SUPP)
            Store(CDW3,CTRL)

            // Only allow native hot plug control if OS supports:
            // * ASPM
            // * Clock PM
            // * MSI/MSI-X
            If(LNotEqual(And(SUPP, 0x16), 0x16))
            {
                And(CTRL,0x1E) // Mask bit 0 (and undefined bits)
            }

            // Always allow native PME, AER (no dependencies)

            // Never allow SHPC (no SHPC controller in this system)
            And(CTRL,0x1D,CTRL)

            If(Not(And(CDW1,1))) // Query flag clear?
            { // Disable GPEs for features granted native control.
                If(And(CTRL,0x01)) // Hot plug control granted?
                {
                    Store(0,HPCE) // clear the hot plug SCI enable bit
                    Store(1,HPCS) // clear the hot plug SCI status bit
                }
                If(And(CTRL,0x04)) // PME control granted?
                {
                    Store(0,PMCE) // clear the PME SCI enable bit
                    Store(1,PMCS) // clear the PME SCI status bit
                }
                If(And(CTRL,0x10)) // OS restoring PCIe cap structure?
                { // Set status to not restore PCIe cap structure
                    // upon resume from S3
                    Store(1,S3CR)
                }
            }

            If(LNotEqual(Arg1,One))
            { // Unknown revision
                Or(CDW1,0x08,CDW1)
            }

            If(LNotEqual(CDW3,CTRL))
            { // Capabilities bits were masked
                Or(CDW1,0x10,CDW1)
            }
            // Update DWORD3 in the buffer
            Store(CTRL,CDW3)
            Return(Arg3)
        } Else {
            Or(CDW1,4,CDW1) // Unrecognized UUID
            Return(Arg3)
        }
    } // End _OSC
} // End PCI0

```



### 6.2.11 \_PRS (Possible Resource Settings)

This optional object evaluates to a byte stream that describes the *possible* resource settings for the device. When describing a platform, specify a \_PRS for all the configurable devices. Static (non-configurable) devices do not specify a \_PRS object. The information in this package is used by OSPM to select a conflict-free resource allocation without user intervention. This method must not reference any operation regions that have not been declared available by a \_REG method.

The format of the data in a \_PRS object follows the same format as the \_CRS object (for more information, see the \_CRS object definition in section 6.2.2, “\_CRS (Current Resource Settings)”).

If the device is disabled when \_PRS is called, it must remain disabled.

Arguments:

None

Return Value:

A **Buffer** containing a Resource Descriptor byte stream

### 6.2.12 \_PRT (PCI Routing Table)

PCI interrupts are inherently non-hierarchical. PCI interrupt pins are wired to interrupt inputs of the interrupt controllers. The \_PRT object provides a mapping from PCI interrupt pins to the interrupt inputs of the interrupt controllers. The \_PRT object is required under all PCI root bridges. \_PRT evaluates to a package that contains a list of packages, each of which describes the mapping of a PCI interrupt pin.

Arguments:

None

Return Value:

A **Package** containing variable-length list of PCI interrupt mapping packages, as described below

**Note:** The PCI function number in the *Address* field of the \_PRT packages must be 0xFFFF, indicating “any” function number or “all functions”.

The \_PRT mapping packages have the fields listed in Table 6-14.

**Table 6-14 Mapping Fields**

Field	Type	Description
Address	DWORD	The address of the device (uses the same format as _ADR).
Pin	BYTE	The PCI pin number of the device (0–INTA, 1–INTB, 2–INTC, 3–INTD).
Source	NamePath Or BYTE	Name of the device that allocates the interrupt to which the above pin is connected. The name can be a fully qualified path, a relative path, or a simple name segment that utilizes the namespace search rules. <b>Note:</b> This field is a NamePath and not a String literal, meaning that it should not be surrounded by quotes. If this field is the integer constant Zero (or a BYTE value of 0), then the interrupt is allocated from the global interrupt pool.
Source Index	DWORD	Index that indicates which resource descriptor in the resource template of the device pointed to in the Source field this interrupt is allocated from. If the <b>Source</b> field is the BYTE value zero, then this field is the global system interrupt number to which the pin is connected.

There are two ways that \_PRT can be used. Typically, the interrupt input that a given PCI interrupt is on is configurable. For example, a given PCI interrupt might be configured for either IRQ 10 or 11 on an 8259 interrupt controller. In this model, each interrupt is represented in the ACPI namespace as a PCI Interrupt Link Device.

These objects have `_PRS`, `_CRS`, `_SRS`, and `_DIS` control methods to allocate the interrupt. Then, OSPM handles the interrupts not as interrupt inputs on the interrupt controller, but as PCI interrupt pins. The driver looks up the device's pins in the `_PRT` to determine which device objects allocate the interrupts. To move the PCI interrupt to a different interrupt input on the interrupt controller, OSPM uses `_PRS`, `_CRS`, `_SRS`, and `_DIS` control methods for the PCI Interrupt Link Device.

In the second model, the PCI interrupts are hardwired to specific interrupt inputs on the interrupt controller and are not configurable. In this case, the Source field in `_PRT` does not reference a device, but instead contains the value zero, and the Source Index field contains the global system interrupt to which the PCI interrupt is hardwired.

### 6.2.12.1 Example: Using \_PRT to Describe PCI IRQ Routing

The following example describes two PCI slots and a PCI video chip. Notice that the interrupts on the two PCI slots are wired differently (barber-poled).

```
Scope(\_SB) {
  Device(LNKA){
    Name(_HID, EISAID("PNP0C0F")) // PCI interrupt link
    Name(_UID, 1)
    Name(_PRS, ResourceTemplate(){
      Interrupt(ResourceProducer,...) {10,11} // IRQs 10,11
    })
    Method(_DIS) {...}
    Method(_CRS) {...}
    Method(_SRS, 1) {...}
  }
  Device(LNKB){
    Name(_HID, EISAID("PNP0C0F")) // PCI interrupt link
    Name(_UID, 2)
    Name(_PRS, ResourceTemplate(){
      Interrupt(ResourceProducer,...) {11,12} // IRQs 11,12
    })
    Method(_DIS) {...}
    Method(_CRS) {...}
    Method(_SRS, 1) {...}
  }
  Device(LNKC){
    Name(_HID, EISAID("PNP0C0F")) // PCI interrupt link
    Name(_UID, 3)
    Name(_PRS, ResourceTemplate(){
      Interrupt(ResourceProducer,...) {12,14} // IRQs 12,14
    })
    Method(_DIS) {...}
    Method(_CRS) {...}
    Method(_SRS, 1) {...}
  }
  Device(LNKD){
    Name(_HID, EISAID("PNP0C0F")) // PCI interrupt link
    Name(_UID, 4)
    Name(_PRS, ResourceTemplate(){
      Interrupt(ResourceProducer,...) {10,15} // IRQs 10,15
    })
    Method(_DIS) {...}
    Method(_CRS) {...}
    Method(_SRS, 1) {...}
  }
  Device(PCI0){
    ...
    Name(_PRT, Package{
      Package{0x0004FFFF, 0, \_SB_.LNKA, 0}, // Slot 1, INTA // A fully
      Package{0x0004FFFF, 1, \_SB_.LNKB, 0}, // Slot 1, INTB // qualified
      Package{0x0004FFFF, 2, \_SB_.LNKC, 0}, // Slot 1, INTC // pathname
      Package{0x0004FFFF, 3, \_SB_.LNKD, 0}, // Slot 1, INTD // can be used,
      Package{0x0005FFFF, 0, LNKB, 0}, // Slot 2, INTA // or a simple
      Package{0x0005FFFF, 1, LNKC, 0}, // Slot 2, INTB // name segment
      Package{0x0005FFFF, 2, LNKD, 0}, // Slot 2, INTC // utilizing the
      Package{0x0005FFFF, 3, LNKA, 0}, // Slot 2, INTD // search rules
      Package{0x0006FFFF, 0, LNKC, 0} // Video, INTA
    })
  }
}
```

### 6.2.13 **\_PXM (Proximity)**

This optional object is used to describe proximity domains within a machine. `_PXM` evaluates to an integer that identifies the device as belonging to a specific proximity domain. OSPM assumes that two devices in the same proximity domain are tightly coupled. OSPM could choose to optimize its behavior based on this. For example, in a system with four processors and six memory devices, there might be two separate proximity domains (0 and 1), each with two processors and three memory devices. In this case, the OS may decide to run some software threads on the processors in proximity domain 0 and others on the processors in proximity domain 1. Furthermore, for performance reasons, it could choose to allocate memory for those threads from the memory devices inside the proximity domain common to the processor and the memory device rather than from a memory device outside of the processor's proximity domain. `_PXM` can be used to identify any device belonging to a proximity domain. Children of a device belong to the same proximity domain as their parent unless they contain an overriding `_PXM`. Proximity domains do not imply any ejection relationships.

An OS makes no assumptions about the proximity or nearness of different proximity domains. The difference between two integers representing separate proximity domains does not imply distance between the proximity domains (in other words, proximity domain 1 is not assumed to be closer to proximity domain 0 than proximity domain 6).

If the Local APIC ID / Local SAPIC ID / Local x2APIC ID of a dynamically added processor is not present in the System Resource Affinity Table (SRAT), a `_PXM` object must exist for the processor's device or one of its ancestors in the ACPI Namespace.

Arguments:

None

Return Value:

An **Integer** (DWORD) containing a proximity domain identifier.

### 6.2.14 **\_SLI (System Locality Information)**

The System Locality Information Table (SLIT) table defined in Section 5.2.17, "System Locality Distance Information Table (SLIT)" provides relative distance information between all System Localities for use during OS initialization.

The value of each Entry[*i,j*] in the SLIT table, where *i* represents a row of a matrix and *j* represents a column of a matrix, indicates the relative distances from System Locality / Proximity Domain *i* to every other System Locality *j* in the system (including itself).

The *i,j* row and column values correlate to the value returned by the `_PXM` object in the ACPI namespace. See section 6.2.13, "`_PXM (Proximity)`" for more information.

Dynamic runtime reconfiguration of the system may cause the distance between System Localities to change.

`_SLI` is an optional object that enables the platform to provide the OS with updated relative System Locality distance information at runtime. `_SLI` provide OSPM with an update of the relative distance from System Locality *i* to all other System Localities in the system.

Arguments:

None

Return Value:

A **Buffer** containing a system locality information table

If System Locality  $i \geq N$ , where N is the number of System Localities, the `_SLI` method returns a buffer that contains these relative distances:

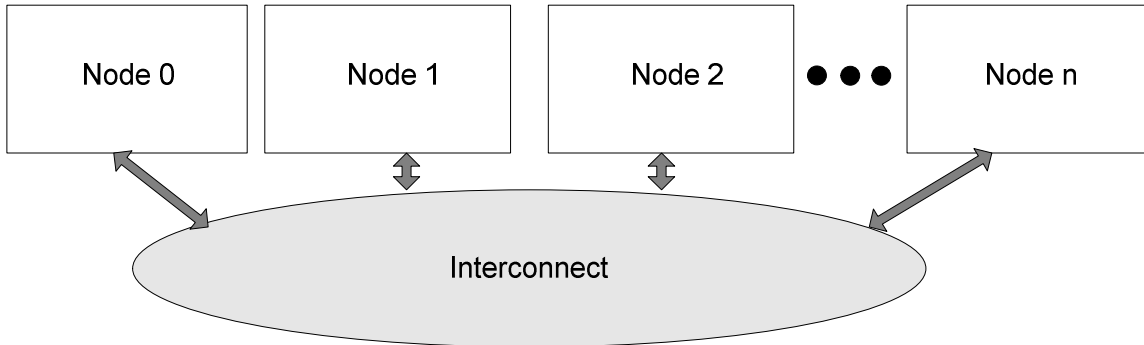
`[(i, 0), (i, 1), ..., (i, i-1), (i, i), (0, i), (1, i), ..., (i-1, i), (i, i)]`

If System Locality  $i < N$ , the `_SLI` method returns a buffer that contains these relative distances:

`[(i, 0), (i, 1), ..., (i, i), ..., (i, N-1), (0, i), (1, i), ..., (i, i), ..., (N-1, i)]`

Note: `(i, i)` is always a value of 10.

**Example**



The figure above diagrams a 4-node system where the nodes are numbered 0 through 3 (Node n = Node 3) and the granularity is at the node level for the NUMA distance information. In this example we assign System Localities / Proximity Domain numbers equal to the node numbers (0-3). The NUMA relative distances between proximity domains as implemented in this system are described in the matrix represented in Table 6-15. Proximity Domains are represented by the numbers in the top row and left column. Distances are represented by the values in cells internal in the table from the domains.

**Table 6-15 Example Relative Distances Between Proximity Domains**

Proximity Domain	0	1	2	3
0	10	15	20	18
1	15	10	16	24
2	20	16	10	12
3	18	24	12	10

An example of these distances between proximity domains encoded in a System Locality Information Table for consumption by OSPM at boot time is described in Table 6-16.

**Table 6-16 Example System Locality Information Table**

Field	Byte Length	Byte Offset	Description
Header			
Signature	4	0	'SLIT'.
Length	4	4	60
Revision	1	8	1
Checksum	1	9	Entire table must sum to zero.
OEMID	6	10	OEM ID.
OEM Table ID	8	16	For the System Locality Information Table, the table ID is the manufacturer model ID.
OEM Revision	4	24	OEM revision of System Locality Information Table for supplied OEM Table ID.
Creator ID	4	28	Vendor ID of utility that created the table. For the DSDT, RSDT, SSDT, and PSDT tables, this is the ID for the ASL Compiler.
Creator Revision	4	32	Revision of utility that created the table. For the DSDT, RSDT, SSDT, and PSDT tables, this is the revision for the ASL Compiler.
Number of System Localities	8	36	4
Entry[0][0]	1	44	10
Entry[0][1]	1	45	15
Entry[0][2]	1	46	20
Entry[0][3]	1	47	18
Entry[1][0]	1	48	15
Entry[1][1]	1	49	10
Entry[1][2]	1	50	16
Entry[1][3]	1	51	24
Entry[2][0]	1	52	20
Entry[2][1]	1	53	16
Entry[2][2]	1	54	10
Entry[2][3]	1	55	12
Entry[3][0]	1	56	18
Entry[3][1]	1	57	24
Entry[3][2]	1	58	12
Entry[3][3]	1	59	10

If a new node, “Node 4”, is added, then Table 6-17 represents the updated system’s NUMA relative distances of proximity domains.

**Table 6-17 Example Relative Distances Between Proximity Domains - 5 Node**

Proximity Domain	0	1	2	3	4
0	10	15	20	18	17
1	15	10	16	24	21
2	20	16	10	12	14
3	18	24	12	10	23
4	17	21	14	23	10

The new node’s `_SLI` object would evaluate to a buffer containing [17,21,14,23,10,17,21,14,23,10].

Note: some systems support interleave memory across the nodes. The SLIT representation of these systems is implementation specific.

### 6.2.15 `_SRS` (Set Resource Settings)

This optional control method takes one byte stream argument that specifies a new resource allocation for a device. The resource descriptors in the byte stream argument must be specified exactly as listed in the `_CRS` byte stream – meaning that the identical resource descriptors must appear in the identical order, resulting in a buffer of exactly the same length. Optimizations such as changing an IRQ descriptor to an IRQNoFlags descriptor (or vice-versa) must not be performed. Similarly, changing StartDependentFn to StartDependentFnNoPri is not allowed. A `_CRS` object can be used as a template to ensure that the descriptors are in the correct format. For more information, see the `_CRS` object definition.

The settings must take effect before the `_SRS` control method returns.

This method must not reference any operation regions that have not been declared available by a `_REG` method.

If the device is disabled, `_SRS` enables the device at the specified resources. `_SRS` is not used to disable a device; use the `_DIS` control method instead.

#### Arguments: (1)

Arg0 – A **Buffer** containing a Resource Descriptor byte stream

#### Return Value:

None

## 6.3 Device Insertion, Removal, and Status Objects

The objects defined in this section provide mechanisms for handling dynamic insertion and removal of devices and for determining device and notification processing status.

Device insertion and removal objects are also used for docking and undocking mobile platforms to and from a peripheral expansion dock. These objects give information about whether or not devices are present, which devices are physically in the same device (independent of which bus the devices live on), and methods for controlling ejection or interlock mechanisms.

The system is more stable when removable devices have a software-controlled, VCR-style ejection mechanism instead of a “surprise-style” ejection mechanism. In this system, the eject button for a device does not immediately remove the device, but simply signals the operating system. OSPM then shuts down the device, closes open files, unloads the driver, and sends a command to the hardware to eject the device.

In ACPI, the sequence of events for dynamically inserting a device follows the process below. Notice that this process supports hot, warm, and cold insertion of devices.

1. If the device is physically inserted while the computer is in the working state (in other words, hot insertion), the hardware generates a general-purpose event.
2. The control method servicing the event uses the **Notify**(*device*,0) command to inform OSPM of the bus that the new device is on or the device object for the new device. If the Notify command points to the device object for the new device, the control method must have changed the device's status returned by `_STA` to indicate that the device is now present. The performance of this process can be optimized by having the object of the Notify as close as possible, in the namespace hierarchy, to where the new device resides. The Notify command can also be used from the `_WAK` control method (for more information about `_WAK`, see section 7.3.7 “`_WAK (System Wake)`”) to indicate device changes that may have occurred while the computer was sleeping. For more information about the Notify command, see section 5.6.3 “Device Object Notification.”
3. OSPM uses the identification and configuration objects to identify, configure, and load a device driver for the new device and any devices found below the device in the hierarchy.
4. If the device has a `_LCK` control method, OSPM may later run this control method to lock the device.

The new device referred to in step 2 need not be a single device, but could be a whole tree of devices. For example, it could point to the PCI-PCI bridge docking connector. OSPM will then load and configure all devices it found below that bridge. The control method can also point to several different devices in the hierarchy if the new devices do not all live under the same bus. (in other words, more than one bus goes through the connector).

For removing devices, ACPI supports both hot removal (system is in the S0 state), and warm removal (system is in a sleep state: S1-S4). This is done using the `_EJx` control methods. Devices that can be ejected include an `_EJx` control method for each sleeping state the device supports (a maximum of 2 `_EJx` objects can be listed). For example, hot removal devices would supply an `_EJ0`; warm removal devices would use one of `_EJ1-EJ4`. These control methods are used to signal the hardware when an eject is to occur.

The sequence of events for dynamically removing a device goes as follows:

1. The eject button is pressed and generates a general-purpose event. (If the system was in a sleeping state, it should wake the computer).
2. The control method for the event uses the **Notify**(*device*, 3) command to inform OSPM which specific device the user has requested to eject. Notify does not need to be called for every device that may be ejected, but for the top-level device. Any child devices in the hierarchy or any ejection-dependent devices on this device (as described by `_EJD`, below) are automatically removed.
3. The OS shuts down and unloads devices that will be removed.
4. If the device has a `_LCK` control method, OSPM runs this control method to unlock the device.
5. The OS looks to see what `_EJx` control methods are present for the device. If the removal event will cause the system to switch to battery power (in other words, an undock) and the battery is low, dead, or not present, OSPM uses the lowest supported sleep state `_EJx` listed; otherwise it uses the highest state `_EJx`. Having made this decision, OSPM runs the appropriate `_EJx` control method to prepare the hardware for eject.
6. Warm removal requires that the system be put in a sleep state. If the removal will be a warm removal, OSPM puts the system in the appropriate `Sx` state. If the removal will be a hot removal, OSPM skips to step 8, below.
7. For warm removal, the system is put in a sleep state. Hardware then uses any motors, and so on, to eject the device. Immediately after ejection, the hardware transitions the computer to S0. If the system was sleeping when the eject notification came in, the OS returns the computer to a sleeping state consistent with the user's wake settings.
8. OSPM calls `_STA` to determine if the eject successfully occurred. (In this case, control methods do not need to use the **Notify**(*device*,3) command to tell OSPM of the change in `_STA`) If there were any mechanical failures, `_STA` returns 3: device present and not functioning, and OSPM informs the user of the problem.



**Note:** This mechanism is the same for removing a single device and for removing several devices, as in an undock.

ACPI does not disallow surprise-style removal of devices; however, this type of removal is not recommended because system and data integrity cannot be guaranteed when a surprise-style removal occurs. Because the OS is not informed, its device drivers cannot save data buffers and it cannot stop accesses to the device before the device is removed. To handle surprise-style removal, a general-purpose event must be raised. Its associated control method must use the Notify command to indicate which bus the device was removed from.

The device insertion and removal objects are listed in Table 6-18.

**Table 6-18 Device Insertion, Removal, and Status Objects**

Object	Description
_EDL	Object that evaluates to a package of namespace references of device objects that depend on the device containing _EDL.
_EJD	Object that evaluates to the name of a device object on which a device depends. Whenever the named device is ejected, the dependent device must receive an ejection notification.
_EJx	Control method that ejects a device.
_LCK	Control method that locks or unlocks a device.
_OST	Control method invoked by OSPM to convey processing status to the platform.
_RMV	Object that indicates that the given device is removable.
_STA	Control method that returns a device's status.

### 6.3.1 \_EDL (Eject Device List)

This object evaluates to a package of namespace references containing the names of device objects that depend on the device under which the \_EDL object is declared. This is primarily used to support docking stations. Before the device under which the \_EDL object is declared may be ejected, OSPM prepares the devices listed in the \_EDL object for physical removal.

Arguments:

None

Return Value:

A variable-length **Package** containing a list of namespace references

Before OSPM ejects a device via the device's \_EJx methods, all dependent devices listed in the package returned by \_EDL are prepared for removal. Notice that \_EJx methods under the dependent devices are not executed.

When describing a platform that includes a docking station, an \_EDL object is declared under the docking station device. For example, if a mobile system can attach to two different types of docking stations, \_EDL is declared under both docking station devices and evaluates to the packaged list of devices that must be ejected when the system is ejected from the docking station.

An ACPI-compliant OS evaluates the \_EDL method just prior to ejecting the device.

### 6.3.2 \_EJD (Ejection Dependent Device)

This object is used to specify the name of a device on which the device, under which this object is declared, is dependent. This object is primarily used to support docking stations. Before the device indicated by \_EJD is ejected, OSPM will prepare the dependent device (in other words, the device under which this object is declared) for removal.

**Arguments:**

None

**Return Value:**A **String** containing the device name

`_EJD` is evaluated once when the ACPI table loads. The `EJx` methods of the device indicated by `_EJD` will be used to eject all the dependent devices. A device's dependents will be ejected when the device itself is ejected.

**Note:** OSPM will not execute a dependent device's `_EJx` methods when the device indicated by `_EJD` is ejected.

When describing a platform that includes a docking station, usually more than one `_EJD` object will be needed. For example, if a dock attaches both a PCI device and an ACPI-configured device to a mobile system, then both the PCI device description package and the ACPI-configured device description package must include an `_EJD` object that evaluates to the name of the docking station (the name specified in an `_ADR` or `_HID` object in the docking station's description package). Thus, when the docking connector signals an eject request, OSPM first attempts to disable and unload the drivers for both the PCI and ACPI configured devices.

**Note:** An ACPI 1.0 OS evaluates the `_EJD` methods only once during the table load process. This greatly restricts a table designer's freedom to describe dynamic dependencies such as those created in scenarios with multiple docking stations. This restriction is illustrated in the example below; the `_EJD` information supplied via an ACPI 1.0-compatible namespace omits the IDE2 device from DOCK2's list of ejection dependencies. Starting in ACPI 2.0, OSPM is presented with a more in-depth view of the ejection dependencies in a system by use of the `_EDL` methods.

**Example**

An example use of `_EJD` and `_EDL` is as follows:

```
Scope(\_SB.PCI0) {
    Device(DOCK1) { // Pass through dock - DOCK1
        Name(_ADR, ...)
        Method(_EJ0, 0) {...}
        Method(_DCK, 1) {...}
        Name(_BDN, ...)
        Method(_STA, 0) {0xF}
        Name(_EDL, Package( ) { // DOCK1 has two dependent devices - IDE2 and CB2
            \_SB.PCI0.IDE2,
            \_SB.PCI0.CB2})
    }
    Device(DOCK2) { // Pass through dock - DOCK2
        Name(_ADR, ...)
        Method(_EJ0, 0) {...}
        Method(_DCK, 1) {...}
        Name(_BDN, ...)
        Method(_STA, 0) {0x0}
        Name(_EDL, Package( ) { // DOCK2 has one dependent device - IDE2
            \_SB.PCI0.IDE2})
    }
}

Device(IDE1) { // IDE Drive1 not dependent on the dock
    Name(_ADR, ...)
}

Device(IDE2) { // IDE Drive2
    Name(_ADR, ...)
    Name(_EJD, "\\_SB.PCI0.DOCK1") // Dependent on DOCK1
}
```

```

Device(CB2) {          // CardBus Controller
    Name(_ADR, ...)
    Name(_EJD, "\\_SB.PCI0.DOCK1") // Dependent on DOCK1
}
} // end _SB.PCI0

```

### 6.3.3 \_EJx (Eject)

These control methods are optional and are supplied for devices that support a software-controlled VCR-style ejection mechanism or that require an action be performed such as isolation of power/data lines before the device can be removed from the system. To support warm (system is in a sleep state) and hot (system is in S0) removal, an \_EJx control method is listed for each sleep state from which the device supports removal, where x is the sleeping state supported. For example, \_EJ0 indicates the device supports hot removal; \_EJ1–EJ4 indicate the device supports warm removal.

#### Arguments: (1)

- Arg0 – An **Integer** containing a device ejection control
  - 0 – Cancel a mark for ejection request (EJ0 will never be called with this value)
  - 1 – Hot eject or mark for ejection

#### Return Value:

None

For hot removal, the device must be immediately ejected when OSPM calls the \_EJ0 control method. The \_EJ0 control method does not return until ejection is complete. After calling \_EJ0, OSPM verifies the device no longer exists to determine if the eject succeeded. For \_HID devices, OSPM evaluates the \_STA method. For \_ADR devices, OSPM checks with the bus driver for that device.

For warm removal, the \_EJ1–\_EJ4 control methods do not cause the device to be immediately ejected. Instead, they set proprietary registers to prepare the hardware to eject when the system goes into the given sleep state. The hardware ejects the device only after OSPM has put the system in a sleep state by writing to the SLP\_EN register. After the system resumes, OSPM calls \_STA to determine if the eject succeeded.

A device object may have multiple \_EJx control methods. First, it lists an EJx control method for the preferred sleeping state to eject the device. Optionally, the device may list an EJ4 control method to be used when the system has no power (for example, no battery) after the eject. For example, a hot-docking notebook might list \_EJ0 and \_EJ4.

### 6.3.4 \_LCK (Lock)

This control method is optional and is required only for a device that supports a software-controlled locking mechanism. When the OS invokes this control method, the associated device is to be locked or unlocked based upon the value of the argument that is passed. On a lock request, the control method must not complete until the device is completely locked.

#### Arguments: (1)

- Arg0 – An **Integer** containing a device lock control
  - 0 – Unlock the device
  - 1 – Lock the device

#### Return Value:

None

When describing a platform, devices use either a \_LCK control method or an \_EJx control method for a device.

### 6.3.5 \_OST (OSPM Status Indication)

This object is an optional control method that is invoked by OSPM to indicate processing status to the platform. During device ejection, device hot add, or other event processing, OSPM may need to perform specific handshaking with the platform. OSPM may also need to indicate to the platform its inability to complete a requested operation; for example, when a user presses an ejection button for a device that is currently in use or is otherwise currently incapable of being ejected. In this case, the processing of the ACPI **Eject Request** notification by OSPM fails. OSPM may indicate this failure to the platform through the invocation of the \_OST control method. As a result of the status notification indicating ejection failure, the platform may take certain action including reissuing the notification or perhaps turning on an appropriate indicator light to signal the failure to the user.

Arguments: (3)

- Arg0 – An **Integer** containing the source event
- Arg1 – An **Integer** containing the status code
- Arg2 – A **Buffer** containing status information

Return Value:

None

Argument Information:

Arg0 – *source\_event*: DWordConst

If the value of *source\_event* is  $\leq 0xFF$ , this argument is the ACPI notification value whose processing generated the status indication. This is the value that was passed into the **Notify** operator.

If the value of *source\_event* is  $0x100$  or greater then the OSPM status indication is a result of an OSPM action as indicated in Table 6-19. For example, a value of  $0x103$  will be passed into \_OST for this argument upon the failure of a user interface invoked device ejection.

If OSPM is unable to identify the originating notification value, OSPM invokes \_OST with a value that contains all bits set (ones) for this parameter.

Arg1 – Status Code: DWordConst. OSPM indicates a notification value specific status. See Tables 6-20, 6-21, and 6-22 for status code descriptions.

Arg2 – A buffer containing detailed OSPM-specific information about the status indication. This argument may be null.

**Table 6-19 \_OST Source Event Codes**

Source Event Code	Description
0-0xFF	Reserved for Notification Values
0x100-0x102	Reserved
0x103	Ejection Processing
0x104-0x1FF	Reserved
0x200	Insertion Processing
0x201-0xFFFFFFFF	Reserved

**Table 6-20 General Processing Status Codes**

Status Code	Description
0	Success
1	Non-specific failure
2	Unrecognized Notify Code
3-0x7F	Reserved
0x80-0xFFFFFFFF	Notification value specific status codes

**Table 6-21 Ejection Request / Ejection Processing (Source Events: 0x03 and 0x103) Status Codes**

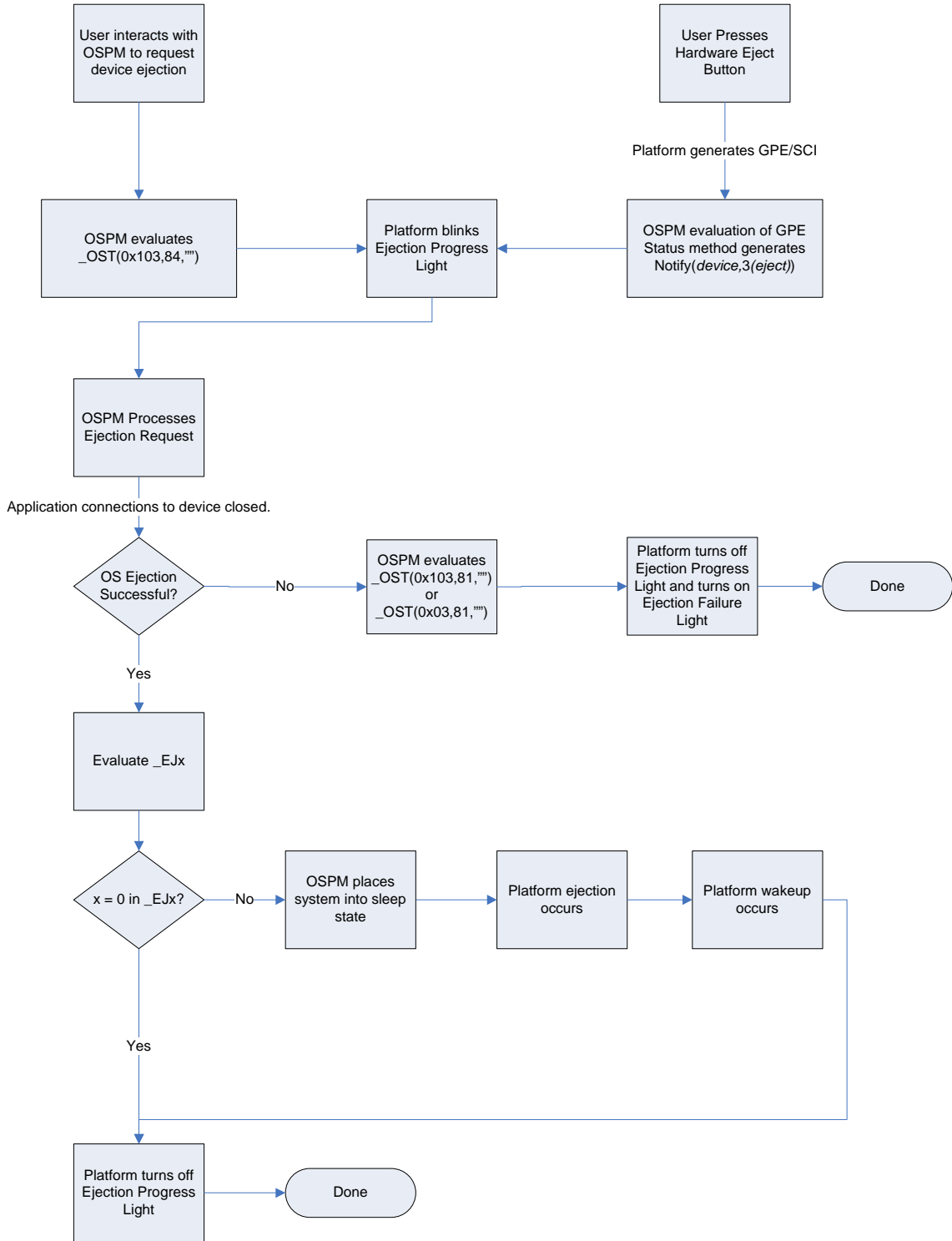
Status Code	Description
0x80	Device ejection not supported by OSPM
0x81	Device in use by application
0x82	Device Busy
0x83	Ejection dependency is busy or not supported for ejection by OSPM
0x84	Ejection is in progress (pending)
0x85-0xFFFFFFFF	Reserved

**Table 6-22 Insertion Processing (Source Event: 0x200) Status Codes**

Status Code	Description
0x80	Device insertion in progress (pending)
0x81	Device driver load failure
0x82	Device insertion not supported by OSPM
0x83-0x8F	Reserved
0x90-0x9F	Insertion failure – Resources Unavailable as described by the following bit encodings: Bit[3] Bus Numbers Bit[2] Interrupts Bit[1] I/O Bit[0] Memory
0xA0-0xFFFFFFFF	Reserved

It is possible for the platform to issue multiple notifications to OSPM and for OSPM to process the notifications asynchronously. As such, OSPM may invoke `_OST` for notifications independent of the order the notification are conveyed by the platform or by software to OSPM.

The figure below provides an example event flow of device ejection on a platform employing the `_OST` object.



**Figure 6-5 Device Ejection Flow Example Using \_OST**

NOTE: To maintain compatibility with OSPM implementations of previous revisions of the ACPI specification, the platform must not rely on OSPM’s evaluation of the \_OST object for proper platform operation.

## Example ASL for \_OST usage:

```

External (\_SB.PCI4, DeviceObj)

Scope(\_SB.PCI4) {
  OperationRegion(LED1, SystemIO, 0x10C0, 0x20)
  Field(LED1, AnyAcc, NoLock, Preserve)
  {
    // LED controls
    S0LE, 1,           // Slot 0 Ejection Progress LED
    S0LF, 1,           // Slot 0 Ejection Failure LED
    S1LE, 1,           // Slot 1 Ejection Progress LED
    S1LF, 1,           // Slot 1 Ejection Failure LED
    S2LE, 1,           // Slot 2 Ejection Progress LED
    S2LF, 1,           // Slot 2 Ejection Failure LED
    S3LE, 1,           // Slot 3 Ejection Progress LED
    S3LF, 1,           // Slot 3 Ejection Failure LED
  }
}

Device(SLT3) {
  Name(_ADR, 0x000C0003) // hot plug device
  Method(_OST, 3, Serialized) {
    // OS calls _OST with notify code 3 or 0x103
    // and status codes 0x80-0x83
    // to indicate a hot remove request failure.
    // Status code 0x84 indicates an ejection
    // request pending.

    If(LEqual(Arg0, Ones)) // Unspecified event
    {
      // Perform generic event processing here
    }

    Switch(And(Arg0, 0xFF)) // Mask to retain low byte
    {
      Case(0x03) // Ejection request
      {
        Switch(Arg1)
        {
          Case(Package(){0x80, 0x81, 0x82, 0x83})
          {
            // Ejection Failure for some reason
            Store(Zero, ^^S3LE) // Turn off Ejection Progress LED
            Store(One, ^^S3LF) // Turn on Ejection Failure LED
          }
          Case(0x84) // Eject request pending
          {
            Store(One, ^^S3LE) // Turn on Ejection Request LED
            Store(Zero, ^^S3LF) // Turn off Ejection Failure LED
          }
        }
      }
    }
  } // end _OST

  Method(_EJ0, 1) // Successful ejection sequence
  {
    Store(Zero, ^^S3LE) // Turn off Ejection Progress LED
  }
} // end SLT3
} // end scope \_SB.PCI4

Scope (\_GPE)
{
  Method(_E13)
  {
    Store(One, \_SB.PCI4.S3LE) // Turn on ejection request LED
    Notify(\_SB.PCI4.SLT3, 3) // Ejection request driven from GPE13
  }
}

```

### 6.3.6 **\_RMV (Remove)**

The optional **\_RMV** object indicates to OSPM whether the device can be removed while the system is in the working state and does not require any ACPI system firmware actions to be performed for the device to be safely removed from the system (in other words, any device that only supports surprise-style removal). Any such removable device that does not have **\_LCK** or **\_EJx** control methods must have an **\_RMV** object. This allows OSPM to indicate to the user that the device can be removed and to provide a way for shutting down the device before removing it. OSPM will transition the device into D3 before telling the user it is safe to remove the device.

This method is reevaluated after a device-check notification.

Arguments:

None

Return Value:

An **Integer** containing the device removal status

0 – The device cannot be removed

1 – The device can be removed

**Note:** Operating Systems implementing ACPI 1.0 interpret the presence of this object to mean that the device is removable.

### 6.3.7 **\_STA (Status)**

This object returns the current status of a device, which can be one of the following: enabled, disabled, or removed.

OSPM evaluates the **\_STA** object before it evaluates a device **\_INI** method. The return values of the Present and Functioning bits determines whether **\_INI** should be evaluated and whether children of the device should be enumerated and initialized. See section 6.5.1, “**\_INI (Init)**”.

If a device object (including the processor object) does not have an **\_STA** object, then OSPM assumes that the device is present, enabled, shown in the UI, and functioning.

This method must not reference any operation regions that have not been declared available by a **\_REG** method.

Arguments:

None

Return Value:

An **Integer** containing a device status bitmap:

Bit 0 – Set if the device is present.

Bit 1 – Set if the device is enabled and decoding its resources.

Bit 2 – Set if the device should be shown in the UI.

Bit 3 – Set if the device is functioning properly (cleared if device failed its diagnostics).

Bit 4 – Set if the battery is present.

Bits 5–31 – Reserved (must be cleared).

#### **Return Value Information**

If bit 0 is cleared, then bit 1 must also be cleared (in other words, a device that is not present cannot be enabled).

A device can only decode its hardware resources if both bits 0 and 1 are set. If the device is not present (bit 0 cleared) or not enabled (bit 1 cleared), then the device must not decode its resources.



If a device is present in the machine, but should not be displayed in OSPM user interface, bit 2 is cleared. For example, a notebook could have joystick hardware (thus it is present and decoding its resources), but the connector for plugging in the joystick requires a port replicator. If the port replicator is not plugged in, the joystick should not appear in the UI, so bit 2 is cleared.

`_STA` may return bit 0 clear (not present) with bit 3 set (device is functional). This case is used to indicate a valid device for which no device driver should be loaded (for example, a bridge device.) Children of this device may be present and valid. OSPM should continue enumeration below a device whose `_STA` returns this bit combination.

If a device object (including the processor object) does not have an `_STA` object, then OSPM assumes that all of the above bits are set (i.e., the device is present, enabled, shown in the UI, and functioning).

## 6.4 Resource Data Types for ACPI

The `_CRS`, `_PRS`, and `_SRS` control methods use packages of resource descriptors to describe the resource requirements of devices.

### 6.4.1 ASL Macros for Resource Descriptors

ASL includes some macros for creating resource descriptors. The ASL syntax for these macros is defined in section 18.5, “ASL Operator Reference”, along with the other ASL operators.

### 6.4.2 Small Resource Data Type

A small resource data type may be 2 to 8 bytes in size and adheres to the following format:

**Table 6-23 Small Resource Data Type Tag Bit Definitions**

Offset	Field		
Byte 0	Tag Bit[7]	Tag Bits[6:3]	Tag Bits [2:0]
	Type-0 (Small item)	Small item name	Length- <i>n</i> bytes
Bytes 1 to <i>n</i>	Data bytes (Length 0 – 7)		

The following small information items are currently defined for Plug and Play devices:

**Table 6-24 Small Resource Items**

Small Item Name	Value
Reserved	0x00-0x03
IRQ Format Descriptor	0x04
DMA Format Descriptor	0x05
Start Dependent Functions Descriptor	0x06
End Dependent Functions Descriptor	0x07
I/O Port Descriptor	0x08
Fixed Location I/O Port Descriptor	0x09
Reserved	0x0A-0x0D
Vendor Defined Descriptor	0x0E
End Tag Descriptor	0x0F

### 6.4.2.1 IRQ Descriptor

#### Type 0, Small Item Name 0x4, Length = 2 or 3

The IRQ data structure indicates that the device uses an interrupt level and supplies a mask with bits set indicating the levels implemented in this device. For standard PC-AT implementation there are 15 possible interrupts so a two-byte field is used. This structure is repeated for each separate interrupt required.

**Table 6-25 IRQ Descriptor Definition**

Offset	Field Name
Byte 0	Value = 0x22 or 0x23 (0010001nB) – Type = 0, Small item name = 0x4, Length = 2 or 3
Byte 1	IRQ mask bits[7:0], _INT Bit[0] represents IRQ0, bit[1] is IRQ1, and so on.
Byte 2	IRQ mask bits[15:8], _INT Bit[0] represents IRQ8, bit[1] is IRQ9, and so on.
Byte 3	<p>IRQ Information. Each bit, when set, indicates this device is capable of driving a certain type of interrupt. (Optional—if not included then assume edge sensitive, high true interrupts.) These bits can be used both for reporting and setting IRQ resources.</p> <p><b>Note:</b> This descriptor is meant for describing interrupts that are connected to PIC-compatible interrupt controllers, which can only be programmed for Active-High-Edge-Triggered or Active-Low-Level-Triggered interrupts. Any other combination is invalid. The Extended Interrupt Descriptor can be used to describe other combinations.</p> <p>Bit[7:5] <i>Reserved</i> (must be 0)            Bit[4] Interrupt is sharable, _SHR            Bit[3] Interrupt Polarity, _LL                0 Active-High – This interrupt is sampled when the signal is high, or true                1 Active-Low – This interrupt is sampled when the signal is low, or false.</p> <p>Bit[2:1] <i>Ignored</i>            Bit[0] Interrupt Mode, _HE                0 Level-Triggered – Interrupt is triggered in response to signal in a low state.                1 Edge-Triggered – Interrupt is triggered in response to a change in signal state from low to high.</p>

**Note:** Low true, level sensitive interrupts may be electrically shared, but the process of how this might work is beyond the scope of this specification.

**Note:** If byte 3 is not included, High true, edge sensitive, non-shareable is assumed.

See section 18.5.57, “IRQ (Interrupt Resource Descriptor Macro),” and section 18.5.58, “IRQNoFlags (Interrupt Resource Descriptor Macro),” for a description of the ASL macros that create an IRQ descriptor.

### 6.4.2.2 DMA Descriptor

#### Type 0, Small Item Name 0x5, Length = 2

The DMA data structure indicates that the device uses a DMA channel and supplies a mask with bits set indicating the channels actually implemented in this device. This structure is repeated for each separate channel required.

**Table 6-26 DMA Descriptor Definition**

Offset	Field Name
Byte 0	Value = 0x2A (00101010B) – Type = 0, Small item name = 0x5, Length = 2

Offset	Field Name
Byte 1	DMA channel mask bits[7:0] (channels 0 – 7), <code>_DMA</code> Bit[0] is channel 0, etc.
Byte 2	Bit[7] <i>Reserved</i> (must be 0) Bits[6:5] DMA channel speed supported, <code>_TYP</code> 00 Indicates compatibility mode 01 Indicates Type A DMA as described in the EISA 10 Indicates Type B DMA 11 Indicates Type F Bits[4:3] <i>Ignored</i> Bit[2] Logical device bus master status, <code>_BM</code> 0 Logical device is not a bus master 1 Logical device is a bus master Bits[1:0] DMA transfer type preference, <code>_SIZ</code> 00 8-bit only 01 8- and 16-bit 10 16-bit only 11 <i>Reserved</i>

See section 18.5.30, “DMA (DMA Resource Descriptor Macro),” for a description of the ASL macro that creates a DMA descriptor.

### 6.4.2.3 Start Dependent Functions Descriptor

#### Type 0, Small Item Name 0x6, Length = 0 or 1

Each logical device requires a set of resources. This set of resources may have interdependencies that need to be expressed to allow arbitration software to make resource allocation decisions about the logical device. Dependent functions are used to express these interdependencies. The data structure definitions for dependent functions are shown here. For a detailed description of the use of dependent functions refer to the next section.

**Table 6-27 Start Dependent Functions Descriptor Definition**

Offset	Field Name
Byte 0	Value = 0x30 or 0x31 (0011000b) – Type = 0, small item name = 0x6, Length = 0 or 1

Start Dependent Function fields may be of length 0 or 1 bytes. The extra byte is optionally used to denote the compatibility or performance/robustness priority for the resource group following the Start DF tag. The compatibility priority is a ranking of configurations for compatibility with legacy operating systems. This is the same as the priority used in the PNPBIOS interface. For example, for compatibility reasons, the preferred configuration for COM1 is IRQ4, I/O 3F8-3FF. The performance/robustness performance is a ranking of configurations for performance and robustness reasons. For example, a device may have a high-performance, bus mastering configuration that may not be supported by legacy operating systems. The bus-mastering configuration would have the highest performance/robustness priority while its polled I/O mode might have the highest compatibility priority.

If the Priority byte is not included, this indicates the dependent function priority is ‘acceptable’. This byte is defined as:

**Table 6-28 Start Dependent Function Priority Byte Definition**

Bits	Definition
1:0	Compatibility priority. Acceptable values are: 0 Good configuration: Highest Priority and preferred configuration 1 Acceptable configuration: Lower Priority but acceptable configuration 2 Sub-optimal configuration: Functional configuration but not optimal 3 Reserved
3:2	Performance/robustness. Acceptable values are: 0 Good configuration: Highest Priority and preferred configuration 1 Acceptable configuration: Lower Priority but acceptable configuration 2 Sub-optimal configuration: Functional configuration but not optimal 3 Reserved
7:4	<i>Reserved</i> (must be 0)

Notice that if multiple Dependent Functions have the same priority, they are further prioritized by the order in which they appear in the resource data structure. The Dependent Function that appears earliest (nearest the beginning) in the structure has the highest priority, and so on.

See section 18.5.111, “StartDependentFn (Start Dependent Function Resource Descriptor Macro),” for a description of the ASL macro that creates a Start Dependent Function descriptor.

#### 6.4.2.4 End Dependent Functions Descriptor

##### Type 0, Small Item Name 0x7, Length = 0

Only one End Dependent Function item is allowed per logical device. This enforces the fact that Dependent Functions cannot be nested.

**Table 6-29 End Dependent Functions Descriptor Definition**

Offset	Field Name
Byte 0	Value = 0x38 (00111000B) – Type = 0, Small item name = 0x7, Length = 0

See section 18.5.37, “EndDependentFn (End Dependent Function Resource Descriptor Macro),” for a description of the ASL macro that creates an End Dependent Functions descriptor.

#### 6.4.2.5 I/O Port Descriptor

##### Type 0, Small Item Name 0x8, Length = 7

There are two types of descriptors for I/O ranges. The first descriptor is a full function descriptor for programmable devices. The second descriptor is a minimal descriptor for old ISA cards with fixed I/O requirements that use a 10-bit ISA address decode. The first type descriptor can also be used to describe fixed I/O requirements for ISA cards that require a 16-bit address decode. This is accomplished by setting the range minimum base address and range maximum base address to the same fixed I/O value.

**Table 6-30 I/O Port Descriptor Definition**

Offset	Field Name	Definition
Byte 0	I/O Port Descriptor	Value = 0x47 (01000111B) – Type = 0, Small item name = 0x8, Length = 7
Byte 1	Information	Bits[7:1] <i>Reserved</i> and must be 0 Bit[0] (_DEC) 1 The logical device decodes 16-bit addresses 0 The logical device only decodes address bits[9:0]
Byte 2	Range minimum base address, _MIN bits[7:0]	Address bits[7:0] of the minimum base I/O address that the card may be configured for.
Byte 3	Range minimum base address, _MIN bits[15:8]	Address bits[15:8] of the minimum base I/O address that the card may be configured for.
Byte 4	Range maximum base address, _MAX bits[7:0]	Address bits[7:0] of the maximum base I/O address that the card may be configured for.
Byte 5	Range maximum base address, _MAX bits[15:8]	Address bits[15:8] of the maximum base I/O address that the card may be configured for.
Byte 6	Base alignment, _ALN	Alignment for minimum base address, increment in 1-byte blocks.
Byte 7	Range length, _LEN	The number of contiguous I/O ports requested.

See section 18.5.56, “IO (IO Resource Descriptor Macro,” for a description of the ASL macro that creates an I/O Port descriptor.

#### 6.4.2.6 Fixed Location I/O Port Descriptor

##### Type 0, Small Item Name 0x9, Length = 3

This descriptor is used to describe 10-bit I/O locations.

**Table 6-31 Fixed-Location I/O Port Descriptor Definition**

Offset	Field Name	Definition
Byte 0	Fixed Location I/O Port Descriptor	Value = 0x4B (01001011B) – Type = 0, Small item name = 0x9, Length = 3
Byte 1	Range base address, _BAS bits[7:0]	Address bits[7:0] of the base I/O address that the card may be configured for. This descriptor assumes a 10-bit ISA address decode.
Byte 2	Range base address, _BAS bits[9:8]	Address bits[9:8] of the base I/O address that the card may be configured for. This descriptor assumes a 10-bit ISA address decode.
Byte 3	Range length, _LEN	The number of contiguous I/O ports requested.

See section 18.5.47, “FixedIO (Fixed I/O Resource Descriptor Macro,” for a description of the ASL macro that creates a Fixed I/O Port descriptor.

### 6.4.2.7 Vendor-Defined Descriptor

#### Type 0, Small Item Name 0xE, Length = 1 to 7

The vendor defined resource data type is for vendor use.

**Table 6-32 Vendor-Defined Resource Descriptor Definition**

Offset	Field Name
Byte 0	Value = 0x71 – 0x77 (01110nnnB) – Type = 0, small item name = 0xE, Length = 1–7
Byte 1 to 7	Vendor defined

See VendorShort (page 555) for a description of the ASL macro that creates a short vendor-defined resource descriptor.

### 6.4.2.8 End Tag

#### Type 0, Small Item Name 0xF, Length = 1

The End tag identifies an end of resource data.

**Note:** If the checksum field is zero, the resource data is treated as if the checksum operation succeeded. Configuration proceeds normally.

**Table 6-33 End Tag Definition**

Offset	Field Name
Byte 0	Value = 0x79 (01111001B) – Type = 0, Small item name = 0xF, Length = 1
Byte 1	Checksum covering all resource data after the serial identifier. This checksum is generated such that adding it to the sum of all the data bytes will produce a zero sum.

The End Tag is automatically generated by the ASL compiler at the end of the **ResourceTemplate** statement.

### 6.4.3 Large Resource Data Type

To allow for larger amounts of data to be included in the configuration data structure the large format is shown below. This includes a 16-bit length field allowing up to 64 KB of data.

**Table 6-34 Large Resource Data Type Tag Bit Definitions**

Offset	Field Name
Byte 0	Value = 1xxxxxxxB – Type = 1 (Large item), Large item name = xxxxxxxxB
Byte 1	Length of data items bits[7:0]
Byte 2	Length of data items bits[15:8]
Bytes 3 to (Length + 2)	Actual data items

The following large information items are currently defined for Plug and Play ISA devices:

**Table 6-35 Large Resource Items**

<b>Large Item Name</b>	<b>Value</b>
<i>Reserved</i>	0x00
24-bit Memory Range Descriptor	0x01
Generic Register Descriptor	0x02
<i>Reserved</i>	0x03
Vendor Defined Descriptor	0x04
32-bit Memory Range Descriptor	0x05
32-bit Fixed Location Memory Range Descriptor	0x06
DWORD Address Space Descriptor	0x07
WORD Address Space Descriptor	0x08
Extended IRQ Descriptor	0x09
QWORD Address Space Descriptor	0x0A
Extended Address Space Descriptor	0x0B
<i>Reserved</i>	0x0C – 0x7F

### 6.4.3.1 24-Bit Memory Range Descriptor

#### Type 1, Large Item Name 0x1

The 24-bit memory range descriptor describes a device's memory range resources within a 24-bit address space.

**Table 6-36 24-bit Memory Range Descriptor Definition**

Offset	Field Name, ASL Field Name	Definition
Byte 0	24-bit Memory Range Descriptor	Value = 0x81 (10000001B) – Type = 1, Large item name = 0x01
Byte 1	Length, bits[7:0]	Value = 0x09 (9)
Byte 2	Length, bits[15:8]	Value = 0x00
Byte 3	Information	This field provides extra information about this memory. Bit[7:1] <i>Ignored</i> Bit[0] Write status, <i>_RW</i> 1 writeable (read/write) 0 non-writeable (read-only)
Byte 4	Range minimum base address, <i>_MIN</i> , bits[7:0]	Address bits[15:8] of the minimum base memory address for which the card may be configured.
Byte 5	Range minimum base address, <i>_MIN</i> , bits[15:8]	Address bits[23:16] of the minimum base memory address for which the card may be configured
Byte 6	Range maximum base address, <i>_MAX</i> , bits[7:0]	Address bits[15:8] of the maximum base memory address for which the card may be configured.
Byte 7	Range maximum base address, <i>_MAX</i> , bits[15:8]	Address bits[23:16] of the maximum base memory address for which the card may be configured
Byte 8	Base alignment, <i>_ALN</i> , bits[7:0]	This field contains the lower eight bits of the base alignment. The base alignment provides the increment for the minimum base address. (0x0000 = 64 KB)
Byte 9	Base alignment, <i>_ALN</i> , bits[15:8]	This field contains the upper eight bits of the base alignment. The base alignment provides the increment for the minimum base address. (0x0000 = 64 KB)
Byte 10	Range length, <i>_LEN</i> , bits[7:0]	This field contains the lower eight bits of the memory range length. The range length provides the length of the memory range in 256 byte blocks.
Byte 11	Range length, <i>_LEN</i> , bits[15:8]	This field contains the upper eight bits of the memory range length. The range length field provides the length of the memory range in 256 byte blocks.

#### Notes:

- Address bits [7:0] of memory base addresses are assumed to be 0.
- A Memory range descriptor can be used to describe a fixed memory address by setting the range minimum base address and the range maximum base address to the same value.
- 24-bit Memory Range descriptors are used for legacy devices.
- Mixing of 24-bit and 32-bit memory descriptors on the same device is not allowed.

See section 18.5.72, “Memory24 (Memory Resource Descriptor Macro),” for a description of the ASL macro that creates a 24-bit Memory descriptor.



### 6.4.3.2 Vendor-Defined Descriptor

#### Type 1, Large Item Name 0x4

The vendor defined resource data type is for vendor use.

**Table 6-37 Large Vendor-Defined Resource Descriptor Definition**

Offset	Field Name	Definition
Byte 0	Vendor Defined Descriptor	Value = 0x84 (10000100B) – Type = 1, Large item name = 0x04
Byte 1	Length, bits[7:0]	Lower eight bits of data length (UUID and vendor data)
Byte 2	Length, bits[15:8]	Upper eight bits of data length (UUID and vendor data)
Byte 3	UUID specific descriptor sub type	UUID specific descriptor sub type value
Byte 4-19	UUID	UUID Value
Byte 20- (Length+20)	Vendor Defined Data	Vendor defined data bytes

ACPI 3.0 defines the UUID specific descriptor subtype field and the UUID field to address potential collision of the use of this descriptor. It is strongly recommended that all newly defined vendor descriptors use these fields prior to Vendor Defined Data.

See VendorLong (page 555) for a description of the ASL macro that creates a long vendor-defined resource descriptor.

### 6.4.3.3 32-Bit Memory Range Descriptor

#### Type 1, Large Item Name 0x5

This memory range descriptor describes a device's memory resources within a 32-bit address space.

**Table 6-38 32-Bit Memory Range Descriptor Definition**

Offset	Field Name	Definition
Byte 0	32-bit Memory Range Descriptor	Value = 0x85 (10000101B) – Type = 1, Large item name = 0x05
Byte 1	Length, bits[7:0]	Value = 0x11 (17)
Byte 2	Length, bits[15:8]	Value = 0x00
Byte 3	Information	This field provides extra information about this memory. Bit[7:1] <i>Ignored</i> Bit[0] Write status, <i>_RW</i> 1 writeable (read/write) 0 non-writeable (read-only)
Byte 4	Range minimum base address, <i>_MIN</i> , bits[7:0]	Address bits[7:0] of the minimum base memory address for which the card may be configured.
Byte 5	Range minimum base address, <i>_MIN</i> , bits[15:8]	Address bits[15:8] of the minimum base memory address for which the card may be configured.
Byte 6	Range minimum base address, <i>_MIN</i> , bits[23:16]	Address bits[23:16] of the minimum base memory address for which the card may be configured.
Byte 7	Range minimum base address, <i>_MIN</i> , bits[31:24]	Address bits[31:24] of the minimum base memory address for which the card may be configured.

Offset	Field Name	Definition
Byte 8	Range maximum base address, _MAX, bits[7:0]	Address bits[7:0] of the maximum base memory address for which the card may be configured.
Byte 9	Range maximum base address, _MAX, bits[15:8]	Address bits[15:8] of the maximum base memory address for which the card may be configured.
Byte 10	Range maximum base address, _MAX, bits[23:16]	Address bits[23:16] of the maximum base memory address for which the card may be configured.
Byte 11	Range maximum base address, _MAX, bits[31:24]	Address bits[31:24] of the maximum base memory address for which the card may be configured.
Byte 12	Base alignment, _ALN bits[7:0]	This field contains Bits[7:0] of the base alignment. The base alignment provides the increment for the minimum base address.
Byte 13	Base alignment, _ALN bits[15:8]	This field contains Bits[15:8] of the base alignment. The base alignment provides the increment for the minimum base address.
Byte 14	Base alignment, _ALN bits[23:16]	This field contains Bits[23:16] of the base alignment. The base alignment provides the increment for the minimum base address.
Byte 15	Base alignment, _ALN bits[31:24]	This field contains Bits[31:24] of the base alignment. The base alignment provides the increment for the minimum base address.
Byte 16	Range length, _LEN bits[7:0]	This field contains Bits[7:0] of the memory range length. The range length provides the length of the memory range in 1-byte blocks.
Byte 17	Range length, _LEN bits[15:8]	This field contains Bits[15:8] of the memory range length. The range length provides the length of the memory range in 1-byte blocks.
Byte 18	Range length, _LEN bits[23:16]	This field contains Bits[23:16] of the memory range length. The range length provides the length of the memory range in 1-byte blocks.
Byte 19	Range length, _LEN bits[31:24]	This field contains Bits[31:24] of the memory range length. The range length provides the length of the memory range in 1-byte blocks.

**Note:** Mixing of 24-bit and 32-bit memory descriptors on the same device is not allowed.

See section 18.5.73, “Memory32 (Memory Resource Descriptor Macro),” for a description of the ASL macro that creates a 32-bit Memory descriptor.

### 6.4.3.4 32-Bit Fixed Memory Range Descriptor

#### Type 1, Large Item Name 0x6

This memory range descriptor describes a device's memory resources within a 32-bit address space.

**Table 6-39 32-bit Fixed-Location Memory Range Descriptor Definition**

Offset	Field Name	Definition
Byte 0	32-bit Fixed Memory Range Descriptor	Value = 0x86 (10000110B) – Type = 1, Large item name = 0x06
Byte 1	Length, bits[7:0]	Value = 0x09 (9)
Byte 2	Length, bits[15:8]	Value = 0x00
Byte 3	Information	This field provides extra information about this memory. Bit[7:1] <i>Ignored</i> Bit[0] Write status, <i>_RW</i> 1 writeable (read/write) 0 non-writeable (read-only)
Byte 4	Range base address, <i>_BAS</i> bits[7:0]	Address bits[7:0] of the base memory address for which the card may be configured.
Byte 5	Range base address, <i>_BAS</i> bits[15:8]	Address bits[15:8] of the base memory address for which the card may be configured.
Byte 6	Range base address, <i>_BAS</i> bits[23:16]	Address bits[23:16] of the base memory address for which the card may be configured.
Byte 7	Range base address, <i>_BAS</i> bits[31:24]	Address bits[31:24] of the base memory address for which the card may be configured.
Byte 8	Range length, <i>_LEN</i> bits[7:0]	This field contains Bits[7:0] of the memory range length. The range length provides the length of the memory range in 1-byte blocks.
Byte 9	Range length, <i>_LEN</i> bits[15:8]	This field contains Bits[15:8] of the memory range length. The range length provides the length of the memory range in 1-byte blocks.
Byte 10	Range length, <i>_LEN</i> bits[23:16]	This field contains Bits[23:16] of the memory range length. The range length provides the length of the memory range in 1-byte blocks.
Byte 11	Range length, <i>_LEN</i> bits[31:24]	This field contains Bits[31:24] of the memory range length. The range length provides the length of the memory range in 1-byte blocks.

**Note:** Mixing of 24-bit and 32-bit memory descriptors on the same device is not allowed.

See section 18.5.74, “Memory32Fixed (Memory Resource Descriptor),” for a description of the ASL macro that creates a 32-bit Fixed Memory descriptor.

### 6.4.3.5 Address Space Resource Descriptors

The QWORD, DWORD, WORD, and Extended Address Space Descriptors are general-purpose structures for describing a variety of types of resources. These resources also include support for advanced server architectures (such as multiple root buses), and resource types found on some RISC processors. These descriptors can describe various kinds of resources. The following table defines the valid combination of each field and how they should be interpreted.

**Table 6-40 Valid combination of Address Space Descriptors fields**

<b>_LEN</b>	<b>_MIF</b>	<b>_MAF</b>	<b>Definition</b>
0	0	0	Variable size, variable location resource descriptor for _PRS.
0	0	1	If _MIF is set, _MIN must be a multiple of (_GRA+1). If _MAF is set, _MAX must be (a multiple of (_GRA+1))-1. OS can pick the resource range that satisfies following conditions: <ul style="list-style-type: none"> <li>• If _MIF is not set, start address is a multiple of (_GRA+1) and greater or equal to _MIN. Otherwise, start address is _MIN.</li> <li>• If _MAF is not set, end address is (a multiple of (_GRA+1))-1 and less or equal to _MAX. Otherwise, end address is _MAX.</li> </ul>
0	1	0	
0	1	1	(Invalid combination)
> 0	0	0	Fixed size, variable location resource descriptor for _PRS. _LEN must be a multiple of (_GRA+1). OS can pick the resource range that satisfies following conditions: <ul style="list-style-type: none"> <li>• Start address is a multiple of (_GRA+1) and greater or equal to _MIN.</li> <li>• End address is (start address+_LEN-1) and less or equal to _MAX.</li> </ul>
> 0	0	1	(Invalid combination)
> 0	1	0	(Invalid combination)
> 0	1	1	Fixed size, fixed location resource descriptor. _GRA must be 0 and _LEN must be (_MAX - _MIN + 1).

#### 6.4.3.5.1 QWord Address Space Descriptor

##### Type 1, Large Item Name 0xA

The QWORD address space descriptor is used to report resource usage in a 64-bit address space (like memory and I/O).

**Table 6-41 QWORD Address Space Descriptor Definition**

<b>Offset</b>	<b>Field Name</b>	<b>Definition</b>
Byte 0	QWORD Address Space Descriptor	Value = 0x8A (10001010B) – Type = 1, Large item name = 0x0A
Byte 1	Length, bits[7:0]	Variable length, minimum value = 0x2B (43)
Byte 2	Length, bits[15:8]	Variable length, minimum value = 0x00
Byte 3	Resource Type	Indicates which type of resource this descriptor describes. Defined values are: <ul style="list-style-type: none"> <li>0           Memory range</li> <li>1           I/O range</li> <li>2           Bus number range</li> <li>3–191      <i>Reserved</i></li> <li>192-255   Hardware Vendor Defined</li> </ul>

Offset	Field Name	Definition
Byte 4	General Flags	Flags that are common to all resource types: Bits[7:4] <i>Reserved</i> (must be 0) Bit[3] Max Address Fixed, <i>_MAF</i> : 1 The specified maximum address is fixed 0 The specified maximum address is not fixed and can be changed Bit[2] Min Address Fixed, <i>_MIF</i> : 1 The specified minimum address is fixed 0 The specified minimum address is not fixed and can be changed Bit[1] Decode Type, <i>_DEC</i> : 1 This bridge subtractively decodes this address (top level bridges only) 0 This bridge positively decodes this address Bit[0] Ignored
Byte 5	Type Specific Flags	Flags that are specific to each resource type. The meaning of the flags in this field depends on the value of the Resource Type field (see above).
Byte 6	Address space granularity, <i>_GRA</i> bits[7:0]	A set bit in this mask means that this bit is decoded. All bits less significant than the most significant set bit must be set. That is, the value of the full Address Space Granularity field (all 64 bits) must be a number ( $2^n - 1$ ).
Byte 7	Address space granularity, <i>_GRA</i> bits[15:8]	
Byte 8	Address space granularity, <i>_GRA</i> bits[23:16]	
Byte 9	Address space granularity, <i>_GRA</i> bits[31:24]	
Byte 10	Address space granularity, <i>_GRA</i> bits[39:32]	
Byte 11	Address space granularity, <i>_GRA</i> bits[47:40]	
Byte 12	Address space granularity, <i>_GRA</i> bits[55:48]	
Byte 13	Address space granularity, <i>_GRA</i> bits[63:56]	
Byte 14	Address range minimum, <i>_MIN</i> bits[7:0]	For bridges that translate addresses, this is the address space on the secondary side of the bridge.
Byte 15	Address range minimum, <i>_MIN</i> bits[15:8]	
Byte 16	Address range minimum, <i>_MIN</i> bits[23:16]	
Byte 17	Address range minimum, <i>_MIN</i> bits[31:24]	
Byte 18	Address range minimum, <i>_MIN</i> bits[39:32]	

Offset	Field Name	Definition
Byte 19	Address range minimum, _MIN bits[47:40]	
Byte 20	Address range minimum, _MIN bits[55:48]	
Byte 21	Address range minimum, _MIN bits[63:56]	
Byte 22	Address range maximum, _MAX bits[7:0]	For bridges that translate addresses, this is the address space on the secondary side of the bridge.
Byte 23	Address range maximum, _MAX bits[15:8]	
Byte 24	Address range maximum, _MAX bits[23:16]	
Byte 25	Address range maximum, _MAX bits[31:24]	
Byte 26	Address range maximum, _MAX bits[39:32]	For bridges that translate addresses, this is the address space on the secondary side of the bridge.
Byte 27	Address range maximum, _MAX bits[47:40]	
Byte 28	Address range maximum, _MAX bits[55:48]	
Byte 29	Address range maximum, _MAX bits[63:56]	
Byte 30	Address Translation offset, _TRA bits[7:0]	For bridges that translate addresses across the bridge, this is the offset that must be added to the address on the secondary side to obtain the address on the primary side. Non-bridge devices must list 0 for all Address Translation offset bits.
Byte 31	Address Translation offset, _TRA bits[15:8]	
Byte 32	Address Translation offset, _TRA bits[23:16]	
Byte 33	Address Translation offset, _TRA bits[31:24]	
Byte 34	Address Translation offset, _TRA bits[39:32]	
Byte 35	Address Translation offset, _TRA bits[47:40]	
Byte 36	Address Translation offset, _TRA bits[55:48]	
Byte 37	Address Translation offset, _TRA bits[63:56]	
Byte 38	Address length, _LEN bits[7:0]	
Byte 39	Address length, _LEN, bits[15:8]	

Offset	Field Name	Definition
Byte 40	Address length, _LEN bits[23:16]	
Byte 41	Address length, _LEN bits[31:24]	
Byte 42	Address length, _LEN bits[39:32]	
Byte 43	Address length, _LEN bits[47:40]	
Byte 44	Address length, _LEN bits[55:48]	
Byte 45	Address length, _LEN bits[63:56]	
Byte 46	Resource Source Index	(Optional) Only present if Resource Source (below) is present. This field gives an index to the specific resource descriptor that this device consumes from in the current resource template for the device object pointed to in Resource Source.
String	Resource Source	(Optional) If present, the device that uses this descriptor consumes its resources from the resources produced by the named device object. If not present, the device consumes its resources out of a global pool. If not present, the device consumes this resource from its hierarchical parent.

See QWordIO (page 538), QWordMemory (page 539) and ASL\_QWordAddressSpace for a description of the ASL macros that creates a QWORD Address Space descriptor.

### 6.4.3.5.2 DWord Address Space Descriptor

#### Type 1, Large Item Name 0x7

The DWORD address space descriptor is used to report resource usage in a 32-bit address space (like memory and I/O).

**Table 6-42 DWord Address Space Descriptor Definition**

Offset	Field Name	Definition
Byte 0	DWORD Address Space Descriptor	Value = 0x87 (10000111B) – Type = 1, Large item name = 0x07
Byte 1	Length, bits[7:0]	Variable: Value = 23 (minimum)
Byte 2	Length, bits[15:8]	Variable: Value = 0 (minimum)
Byte 3	Resource Type	Indicates which type of resource this descriptor describes. Defined values are: 0           Memory range 1           I/O range 2           Bus number range 3–191 <i>Reserved</i> 192-255    Hardware Vendor Defined

Offset	Field Name	Definition
Byte 4	General Flags	Flags that are common to all resource types: Bits[7:4] <i>Reserved</i> (must be 0) Bit[3] Max Address Fixed, <i>_MAF</i> : 1 The specified maximum address is fixed 0 The specified maximum address is not fixed and can be changed Bit[2] Min Address Fixed, <i>_MIF</i> : 1 The specified minimum address is fixed 0 The specified minimum address is not fixed and can be changed Bit[1] Decode Type, <i>_DEC</i> : 1 This bridge subtractively decodes this address (top level bridges only) 0 This bridge positively decodes this address Bit[0] Ignored
Byte 5	Type Specific Flags	Flags that are specific to each resource type. The meaning of the flags in this field depends on the value of the Resource Type field (see above).
Byte 6	Address space granularity, <i>_GRA</i> bits[7:0]	A set bit in this mask means that this bit is decoded. All bits less significant than the most significant set bit must be set. (in other words, the value of the full Address Space Granularity field (all 32 bits) must be a number $(2^n - 1)$ ).
Byte 7	Address space granularity, <i>_GRA</i> bits[15:8]	
Byte 8	Address space granularity, <i>_GRA</i> bits [23:16]	
Byte 9	Address space granularity, <i>_GRA</i> bits [31:24]	
Byte 10	Address range minimum, <i>_MIN</i> bits [7:0]	For bridges that translate addresses, this is the address space on the secondary side of the bridge.
Byte 11	Address range minimum, <i>_MIN</i> bits [15:8]	
Byte 12	Address range minimum, <i>_MIN</i> bits [23:16]	
Byte 13	Address range minimum, <i>_MIN</i> bits [31:24]	
Byte 14	Address range maximum, <i>_MAX</i> bits [7:0]	For bridges that translate addresses, this is the address space on the secondary side of the bridge.
Byte 15	Address range maximum, <i>_MAX</i> bits [15:8]	
Byte 16	Address range maximum, <i>_MAX</i> bits [23:16]	
Byte 17	Address range maximum, <i>_MAX</i> bits [31:24]	



Offset	Field Name	Definition
Byte 18	Address Translation offset, _TRA bits [7:0]	For bridges that translate addresses across the bridge, this is the offset that must be added to the address on the secondary side to obtain the address on the primary side. Non-bridge devices must list 0 for all Address Translation offset bits.
Byte 19	Address Translation offset, _TRA bits [15:8]	
Byte 20	Address Translation offset, _TRA bits [23:16]	
Byte 21	Address Translation offset, _TRA bits [31:24]	
Byte 22	Address Length, _LEN, bits [7:0]	
Byte 23	Address Length, _LEN, bits [15:8]	
Byte 24	Address Length, _LEN, bits [23:16]	
Byte 25	Address Length, _LEN, bits [31:24]	
Byte 26	Resource Source Index	(Optional) Only present if Resource Source (below) is present. This field gives an index to the specific resource descriptor that this device consumes from in the current resource template for the device object pointed to in Resource Source.
String	Resource Source	(Optional) If present, the device that uses this descriptor consumes its resources from the resources produced by the named device object. If not present, the device consumes its resources out of a global pool. If not present, the device consumes this resource from its hierarchical parent.

See DWordIO (page 497), DWordMemory (page 499) and ASL\_DWordAddressSpace for a description of the ASL macro that creates a DWORD Address Space descriptor

### 6.4.3.5.3 Word Address Space Descriptor

#### Type 1, Large Item Name 0x8

The WORD address space descriptor is used to report resource usage in a 16-bit address space (like memory and I/O).

**Note:** This descriptor is exactly the same as the DWORD descriptor specified in Table 6-29; the only difference is that the address fields are 16 bits wide rather than 32 bits wide.

**Table 6-43 WORD Address Space Descriptor Definition**

Offset	Field Name	Definition
Byte 0	WORD Address Space Descriptor	Value = 0x88 (10001000B) – Type = 1, Large item name = 0x08
Byte 1	Length, bits[7:0]	Variable length, minimum value = 0x0D (13)
Byte 2	Length, bits[15:8]	Variable length, minimum value = 0x00

Offset	Field Name	Definition
Byte 3	Resource Type	Indicates which type of resource this descriptor describes. Defined values are: 0            Memory range 1            I/O range 2            Bus number range 3–191 <i>Reserved</i> 192-255     Hardware Vendor Defined
Byte 4	General Flags	Flags that are common to all resource types: Bits[7:4] <i>Reserved</i> (must be 0) Bit[3]       Max Address Fixed, <i>_MAF</i> : 1    The specified maximum address is fixed 0    The specified maximum address is not fixed and can be changed Bit[2]       Min Address Fixed, <i>_MIF</i> : 1    The specified minimum address is fixed 0    The specified minimum address is not fixed and can be changed Bit[1]       Decode Type, <i>_DEC</i> : 1    This bridge subtractively decodes this address (top level bridges only) 0    This bridge positively decodes this address Bit[0]       Ignored
Byte 5	Type Specific Flags	Flags that are specific to each resource type. The meaning of the flags in this field depends on the value of the Resource Type field (see above).
Byte 6	Address space granularity, <i>_GRA</i> bits[7:0]	A set bit in this mask means that this bit is decoded. All bits less significant than the most significant set bit must be set. (In other words, the value of the full Address Space Granularity field (all 16 bits) must be a number $(2^n - 1)$ ).
Byte 7	Address space granularity, <i>_GRA</i> bits[15:8]	
Byte 8	Address range minimum, <i>_MIN</i> , bits [7:0]	For bridges that translate addresses, this is the address space on the secondary side of the bridge.
Byte 9	Address range minimum, <i>_MIN</i> , bits [15:8]	
Byte 10	Address range maximum, <i>_MAX</i> , bits [7:0]	For bridges that translate addresses, this is the address space on the secondary side of the bridge.
Byte 11	Address range maximum, <i>_MAX</i> , bits [15:8]	
Byte 12	Address Translation offset, <i>_TRA</i> , bits [7:0]	For bridges that translate addresses across the bridge, this is the offset that must be added to the address on the secondary side to obtain the address on the primary side. Non-bridge devices must list 0 for all Address Translation offset bits.
Byte 13	Address Translation offset, <i>_TRA</i> , bits [15:8]	
Byte 14	Address Length, <i>_LEN</i> , bits [7:0]	

Offset	Field Name	Definition
Byte 15	Address Length, _LEN, bits [15:8]	
Byte 16	Resource Source Index	(Optional) Only present if Resource Source (below) is present. This field gives an index to the specific resource descriptor that this device consumes from in the current resource template for the device object pointed to in Resource Source.
String	Resource Source	(Optional) If present, the device that uses this descriptor consumes its resources from the resources produced by the named device object. If not present, the device consumes its resources out of a global pool. If not present, the device consumes this resource from its hierarchical parent.

See WordIO (page 557), WordBusNumber (page 556) and ASL\_WordAddressSpace for a description of the ASL macros that create a Word address descriptor.

#### 6.4.3.5.4 Extended Address Space Descriptor

##### Type 1, Large Item Name 0xB

The Extended Address Space descriptor is used to report resource usage in the address space (like memory and I/O).

**Table 6-44 Extended Address Space Descriptor Definition**

Offset	Field Name	Definition
Byte 0	Extended Address Space Descriptor	Value = 0x8B (10001011B) – Type = 1, Large item name = 0x0B
Byte 1	Length, bits[7:0]	Value = 0x35 (53)
Byte 2	Length, bits[15:8]	Value = 0x00
Byte 3	Resource Type	Indicates which type of resource this descriptor describes. Defined values are: 0           Memory range 1           I/O range 2           Bus number range 3–191 <i>Reserved</i> 192-255   Hardware Vendor Defined

Offset	Field Name	Definition
Byte 4	General Flags	Flags that are common to all resource types: Bits[7:4] <i>Reserved</i> (must be 0) Bit[3] Max Address Fixed, <i>_MAF</i> : 1 The specified maximum address is fixed 0 The specified maximum address is not fixed and can be changed Bit[2] Min Address Fixed, <i>_MIF</i> : 1 The specified minimum address is fixed 0 The specified minimum address is not fixed and can be changed Bit[1] Decode Type, <i>_DEC</i> : 1 This bridge subtractively decodes this address (top level bridges only) 0 This bridge positively decodes this address Bit[0] Consumer/Producer: 1—This device consumes this resource 0—This device produces and consumes this resource
Byte 5	Type Specific Flags	Flags that are specific to each resource type. The meaning of the flags in this field depends on the value of the Resource Type field (see above). For the Memory Resource Type, the definition is defined in section 6.4.3.5.5. For other Resource Types, refer to the existing definitions for the Address Space Descriptors.
Byte 6	Revision ID	Indicates the revision of the Extended Address Space descriptor. For ACPI 3.0, this value is 1.
Byte 7	<i>Reserved</i>	0
Byte 8	Address space granularity, <i>_GRA</i> bits[7:0]	A set bit in this mask means that this bit is decoded. All bits less significant than the most significant set bit must be set. That is, the value of the full Address Space Granularity field (all 64 bits) must be a number ( $2^n - 1$ ).
Byte 9	Address space granularity, <i>_GRA</i> bits[15:8]	
Byte 10	Address space granularity, <i>_GRA</i> bits[23:16]	
Byte 11	Address space granularity, <i>_GRA</i> bits[31:24]	
Byte 12	Address space granularity, <i>_GRA</i> bits[39:32]	
Byte 13	Address space granularity, <i>_GRA</i> bits[47:40]	
Byte 14	Address space granularity, <i>_GRA</i> bits[55:48]	
Byte 15	Address space granularity, <i>_GRA</i> bits[63:56]	
Byte 16	Address range minimum, <i>_MIN</i> bits[7:0]	For bridges that translate addresses, this is the address space on the secondary side of the bridge.

**Table 6-44 Extended Address Space Descriptor Definition (continued)**

Offset	Field Name	Definition
Byte 17	Address range minimum, _MIN bits[15:8]	
Byte 18	Address range minimum, _MIN bits[23:16]	
Byte 19	Address range minimum, _MIN bits[31:24]	
Byte 20	Address range minimum, _MIN bits[39:32]	
Byte 21	Address range minimum, _MIN bits[47:40]	
Byte 22	Address range minimum, _MIN bits[55:48]	
Byte 23	Address range minimum, _MIN bits[63:56]	
Byte 24	Address range maximum, _MAX bits[7:0]	For bridges that translate addresses, this is the address space on the secondary side of the bridge.
Byte 25	Address range maximum, _MAX bits[15:8]	
Byte 26	Address range maximum, _MAX bits[23:16]	
Byte 27	Address range maximum, _MAX bits[31:24]	
Byte 28	Address range maximum, _MAX bits[39:32]	For bridges that translate addresses, this is the address space on the secondary side of the bridge.
Byte 29	Address range maximum, _MAX bits[47:40]	
Byte 30	Address range maximum, _MAX bits[55:48]	
Byte 31	Address range maximum, _MAX bits[63:56]	
Byte 32	Address Translation offset, _TRA bits[7:0]	For bridges that translate addresses across the bridge, this is the offset that must be added to the address on the secondary side to obtain the address on the primary side. Non-bridge devices must list 0 for all Address Translation offset bits.
Byte 33	Address Translation offset, _TRA bits[15:8]	
Byte 34	Address Translation offset, _TRA bits[23:16]	
Byte 35	Address Translation offset, _TRA bits[31:24]	

**Table 6-44 Extended Address Space Descriptor Definition (continued)**

Offset	Field Name	Definition
Byte 36	Address Translation offset, _TRA bits[39:32]	
Byte 37	Address Translation offset, _TRA bits[47:40]	
Byte 38	Address Translation offset, _TRA bits[55:48]	
Byte 39	Address Translation offset, _TRA bits[63:56]	
Byte 40	Address length, _LEN bits[7:0]	
Byte 41	Address length, _LEN, bits[15:8]	
Byte 42	Address length, _LEN bits[23:16]	
Byte 43	Address length, _LEN bits[31:24]	
Byte 44	Address length, _LEN bits[39:32]	
Byte 45	Address length, _LEN bits[47:40]	
Byte 46	Address length, _LEN bits[55:48]	
Byte 47	Address length, _LEN bits[63:56]	
Byte 48	Type Specific Attribute, _ATT bits[7:0]	Attributes that are specific to each resource type. The meaning of the attributes in this field depends on the value of the Resource Type field (see above). For the Memory Resource Type, the definition is defined section <ref>. For other Resource Types, this field is reserved to 0.
Byte 49	Type Specific Attribute, _ATT bits[15:8]	
Byte 50	Type Specific Attribute, _ATT bits[23:16]	
Byte 51	Type Specific Attribute, _ATT bits[31:24]	
Byte 52	Type Specific Attribute, _ATT bits[39:32]	
Byte 53	Type Specific Attribute, _ATT bits[47:40]	
Byte 54	Type Specific Attribute, _ATT bits[55:48]	
Byte 55	Type Specific Attribute, _ATT bits[63:56]	

See section 18.5.41, “ExtendedSpace (Extended Address Space Resource Descriptor Macro),” for a description of the ASL macro that creates an Extended Address Space descriptor.

### 6.4.3.5.4.1 Type Specific Attributes

The meaning of the Type Specific Attributes field of the Extended Address Space Descriptor depends on the value of the Resource Type field in the descriptor. When Resource Type = 0 (memory resource), the Type Specific Attributes field values are defined as follows:

```
// These attributes can be "ORed" together as needed.

#define ACPI_MEMORY_UC 0x0000000000000001
#define ACPI_MEMORY_WC 0x0000000000000002
#define ACPI_MEMORY_WT 0x0000000000000004
#define ACPI_MEMORY_WB 0x0000000000000008
#define ACPI_MEMORY_UCE 0x0000000000000010
#define ACPI_MEMORY_NV 0x0000000000000800
```

**ACPI\_MEMORY\_UC** – Memory cacheability attribute. The memory region supports being configured as not cacheable.

**ACPI\_MEMORY\_WC** – Memory cacheability attribute. The memory region supports being configured as write combining.

**ACPI\_MEMORY\_WT** – Memory cacheability attribute. The memory region supports being configured as cacheable with a "write through" policy. Writes that hit in the cache will also be written to main memory.

**ACPI\_MEMORY\_WB** – Memory cacheability attribute. The memory region supports being configured as cacheable with a "write back" policy. Reads and writes that hit in the cache do not propagate to main memory. Dirty data is written back to main memory when a new cache line is allocated.

**ACPI\_MEMORY\_UCE** – Memory cacheability attribute. The memory region supports being configured as not cacheable, exported, and supports the "fetch and add" semaphore mechanism.

**ACPI\_MEMORY\_NV** – Memory non-volatile attribute. The memory region is non-volatile. Use of memory with this attribute is subject to characterization.

**Note:** These bits are defined so as to match the UEFI definition when applicable.

### 6.4.3.5.5 Resource Type Specific Flags

The meaning of the flags in the Type Specific Flags field of the Address Space Descriptors depends on the value of the Resource Type field in the descriptor. The flags for each resource type are defined in the following tables:

**Table 6-45 Memory Resource Flag (Resource Type = 0) Definitions**

Bits	Meaning
Bits[7:6]	<i>Reserved</i> (must be 0)
Bit[5]	Memory to I/O Translation, <i>_TTP</i> <ul style="list-style-type: none"> <li>1 TypeTranslation: This resource, which is memory on the secondary side of the bridge, is I/O on the primary side of the bridge.</li> <li>0 TypeStatic: This resource, which is memory on the secondary side of the bridge, is also memory on the primary side of the bridge.</li> </ul>

Bits	Meaning
Bits[4:3]	Memory attributes, <code>_MTP</code> . These bits are only defined if this memory resource describes system RAM. For a definition of the labels described here, see section 15, "System Address Map Interfaces." 0 AddressRangeMemory 1 AddressRangeReserved 2 AddressRangeACPI 3 AddressRangeNVS
Bits[2:1]	Memory attributes, <code>_MEM</code> 0 The memory is non-cacheable. 1 The memory is cacheable. 2 The memory is cacheable and supports write combining. 3 The memory is cacheable and prefetchable. (Notice: OSPM ignores this field in the Extended address space descriptor. Instead it uses the Type Specific Attributes field to determine memory attributes)
Bit[0]	Write status, <code>_RW</code> 1 This memory range is read-write. 0 This memory range is read-only.

**Table 6-46 I/O Resource Flag (Resource Type = 1) Definitions**

Bits	Meaning
Bits[7:6]	<i>Reserved</i> (must be 0)
Bit[5]	Sparse Translation, <code>_TRS</code> . This bit is only meaningful if Bit[4] is set. 1 SparseTranslation: The primary-side memory address of any specific I/O port within the secondary-side range can be found using the following function. $\text{address} = (((\text{port} \& 0\text{xFFFc}) \ll 10) \mid (\text{port} \& 0\text{xFFF})) + \text{\_TRA}$ In the address used to access the I/O port, bits[11:2] must be identical to bits[21:12], this gives four bytes of I/O ports on each 4 KB page. 0 DenseTranslation: The primary-side memory address of any specific I/O port within the secondary-side range can be found using the following function. $\text{address} = \text{port} + \text{\_TRA}$
Bit[4]	I/O to Memory Translation, <code>_TTP</code> 1 TypeTranslation: This resource, which is I/O on the secondary side of the bridge, is memory on the primary side of the bridge. 0 TypeStatic: This resource, which is I/O on the secondary side of the bridge, is also I/O on the primary side of the bridge.
Bit[3:2]	<i>Reserved</i> (must be 0)



Bits	Meaning
Bit[1:0]	<p><b>_RNG</b></p> <p>3 Memory window covers the entire range</p> <p>2 ISARangesOnly. This flag is for bridges on systems with multiple bridges. Setting this bit means the memory window specified in this descriptor is limited to the ISA I/O addresses that fall within the specified window. The ISA I/O ranges are: n000-n0FF, n400-n4FF, n800-n8FF, nC00-nCFF. This bit can only be set for bridges entirely configured through ACPI namespace.</p> <p>1 NonISARangesOnly. This flag is for bridges on systems with multiple bridges. Setting this bit means the memory window specified in this descriptor is limited to the non-ISA I/O addresses that fall within the specified window. The non-ISA I/O ranges are: n100-n3FF, n500-n7FF, n900-nBFF, nD00-nFFF. This bit can only be set for bridges entirely configured through ACPI namespace.</p> <p>0 <i>Reserved</i></p>

**Table 6-47 Bus Number Range Resource Flag (Resource Type = 2) Definitions**

Bits	Meaning
Bit[7:0]	<i>Reserved</i> (must be 0)

### 6.4.3.6 Extended Interrupt Descriptor

#### Type 1, Large Item Name 0x9

The Extended Interrupt Descriptor is necessary to describe interrupt settings and possibilities for systems that support interrupts above 15.

To specify multiple interrupt numbers, this descriptor allows vendors to list an array of possible interrupt numbers, any one of which can be used.

**Table 6-48 Extended Interrupt Descriptor Definition**

Offset	Field Name	Definition
Byte 0	Extended Interrupt Descriptor	Value = 0x89 (10001001B) – Type = 1, Large item name = 0x09
Byte 1	Length, bits[7:0]	Variable length, minimum value = 0x06
Byte 2	Length, bits[15:8]	Variable length, minimum value = 0x00

Offset	Field Name	Definition
Byte 3	Interrupt Vector Flags	Interrupt Vector Information. Bit[7:4] <i>Reserved</i> (must be 0) Bit[3] Interrupt is shareable, <b>_SHR</b> Bit[2] Interrupt Polarity, <b>_LL</b> 0 Active-High: This interrupt is sampled when the signal is high, or true. 1 Active-Low: This interrupt is sampled when the signal is low, or false. Bit[1] Interrupt Mode, <b>_HE</b> 0 Level-Triggered: Interrupt is triggered in response to the signal being in either a high or low state. 1 Edge-Triggered: This interrupt is triggered in response to a change in signal state, either high to low or low to high. Bit[0] Consumer/Producer: 1 This device consumes this resource 0 This device produces and consumes this resource
Byte 4	Interrupt table length	Indicates the number of interrupt numbers that follow. When this descriptor is returned from <b>_CRS</b> , or when <b>OSPM</b> passes this descriptor to <b>_SRS</b> , this field must be set to 1.
Byte 4n+5	Interrupt Number, <b>_INT</b> bits [7:0]	Interrupt number
Byte 4n+6	Interrupt Number, <b>_INT</b> bits [15:8]	
Byte 4n+7	Interrupt Number, <b>_INT</b> bits [23:16]	
Byte 4n+8	Interrupt Number, <b>_INT</b> bits [31:24]	
...	...	Additional interrupt numbers
Byte x	Resource Source Index	(Optional) Only present if Resource Source (below) is present. This field gives an index to the specific resource descriptor that this device consumes from in the current resource template for the device object pointed to in Resource Source.
String	Resource Source	(Optional) If present, the device that uses this descriptor consumes its resources from the resources produces by the named device object. If not present, the device consumes its resources out of a global pool. If not present, the device consumes this resource from its hierarchical parent.

**Note:** Low true, level sensitive interrupts may be electrically shared, the process of how this might work is beyond the scope of this specification.

If the OS is running using the 8259 interrupt model, only interrupt number values of 0-15 will be used, and interrupt numbers greater than 15 will be ignored.

See Interrupt (page 518) for a description of the ASL macro that creates an Extended Interrupt descriptor.

### 6.4.3.7 Generic Register Descriptor

#### Type 1, Large Item Name 0x2

The generic register descriptor describes the location of a fixed width register within any of the ACPI-defined address spaces.

**Table 6-49 Generic Register Descriptor Definition**

Offset	Field Name, ASL Field Name	Definition
Byte 0	Generic Register Descriptor	Value = 0x82 (10000010B) Type = 1, Large item name = 0x02
Byte 1	Length, bits[7:0]	Value = 0x0C (12)
Byte 2	Length, bits[15:8]	Value = 0x00
Byte 3	Address Space ID, _ASI	The address space where the data structure or register exists. Defined values are: 0x00 System Memory 0x01 System I/O 0x02 PCI Configuration Space 0x03 Embedded Controller 0x04 SMBus 0x7F Functional Fixed Hardware
Byte 4	Register Bit Width, _RBW	Indicates the register width in bits.
Byte 5	Register Bit Offset, _RBO	Indicates the offset to the start of the register in bits from the Register Address.
Byte 6	Address Size, _ASZ	Specifies access size. 0 - Undefined (legacy reasons) 1 - Byte access 2 - Word access 3 - Dword access 4 - QWord access
Byte 7	Register Address, _ADR bits[7:0]	Register Address
Byte 8	Register Address, _ADR bits[15:8]	
Byte 9	Register Address, _ADR bits[23:16]	
Byte 10	Register Address, _ADR bits[31:24]	
Byte 11	Register Address, _ADR bits[39:32]	
Byte 12	Register Address, _ADR bits[47:40]	
Byte 13	Register Address, _ADR bits[55:48]	
Byte 14	Register Address, _ADR bits[63:56]	

See Register (page 542) for a description of the ASL macro that creates a Generic Register resource descriptor.

## 6.5 Other Objects and Control Methods

**Table 6-50 Other Objects and Methods**

Object	Description
_INI	Device initialization method that is run shortly after ACPI has been enabled.
_DCK	Indicates that the device is a docking station.
_BDN	Correlates a docking station between ACPI and legacy interfaces.
_REG	Notifies AML code of a change in the availability of an operation region.
_BBN	PCI bus number set up by the BIOS.
_SEG	Indicates a bus segment location.
_GLK	Indicates the Global Lock must be acquired when accessing a device.

### 6.5.1 \_INI (Init)

\_INI is a device initialization object that performs device specific initialization. This control method is located under a device object and is run only when OSPM loads a description table. There are restrictions related to when this method is called and governing writing code for this method. The \_INI method must only access Operation Regions that have been indicated to available as defined by the \_REG method. The \_REG method is described in section 6.5.4, “\_REG (Region).” This control method is run before \_ADR, \_CID, \_HID, \_SUN, and \_UID are run.

Arguments:

None

Return Value:

None

Before evaluating the \_INI object, OSPM evaluates the \_STA object for the device. If the \_STA object does not exist for the device, the device is assumed to be both present and functional. If the \_STA method indicates that the device is present, OSPM will evaluate the \_INI for the device (if the \_INI method exists) and will examine each of the children of the device for \_INI methods. If the \_STA method indicates that the device is not present and is not functional, OSPM will not run the \_INI and will not examine the children of the device for \_INI methods. If the \_STA object evaluation indicates that the device is not present but is functional, OSPM will not evaluate the \_INI object, but will examine each of the children of the device for \_INI objects (see the description of \_STA for the explanation of this special case.) If the device becomes present after the table has already been loaded, OSPM will not evaluate the \_INI method, nor examine the children for \_INI methods.

The OSPM performed \_INI object actions based upon the \_STA Present and Functional bits are summarized in the table below.

**Table 6-51 OSPM \_INI Object Actions**

_STA Present Bit	_STA Functional Bit	Actions
0	0	Do not run _INI, do not examine device children
0	1	Do not run _INI, examine device children
1	0	Run _INI, examine device children
1	1	Run _INI, examine device children

The `_INI` control method is generally used to switch devices out of a legacy operating mode. For example, BIOSes often configure CardBus controllers in a legacy mode to support legacy operating systems. Before enumerating the device with an ACPI operating system, the CardBus controllers must be initialized to CardBus mode. For such systems, the vendor can include an `_INI` control method under the CardBus controller to switch the device into CardBus mode.

In addition to device initialization, OSPM unconditionally evaluates an `_INI` object under the `\_SB` namespace, if present, at the beginning of namespace initialization.

### 6.5.2 `_DCK (Dock)`

This control method is located in the device object that represents the docking station (that is, the device object with all the `_EJx` control methods for the docking station). The presence of `_DCK` indicates to the OS that the device is really a docking station.

`_DCK` also controls the isolation logic on the docking connector. This allows an OS to prepare for docking before the bus is activated and devices appear on the bus.

#### Arguments: (1)

- Arg0 – An **Integer** containing a docking action code
  - 0 – Undock (isolate from connector)
  - 1 – Dock (remove isolation from connector)

#### Return Value:

- An **Integer** containing the docking status code
  - 1 – Successful
  - 0 – Failed

**Note:** When `_DCK` is called with 0, OSPM will ignore the return value. The `_STA` object that follows the `_EJx` control method will notify whether or not the portable has been ejected.

### 6.5.3 `_BDN (BIOS Dock Name)`

`_BDN` is used to correlate a docking station reported via ACPI and the same docking station reported via legacy interfaces. It is primarily used for upgrading over non-ACPI environments.

#### Arguments:

- None

#### Return Value:

- An **Integer** that contains the EISA Dock ID

`_BDN` must appear under a device object that represents the dock, that is, the device object with `_Ejx` methods. This object must return a `DWORD` that is the EISA-packed DockID returned by the Plug and Play BIOS Function 5 (Get Docking Station Identifier) for a dock.

**Note:** If the machine does not support PNPBIOS, this object is not required.

### 6.5.4 `_REG (Region)`

The OS runs `_REG` control methods to inform AML code of a change in the availability of an operation region. When an operation region handler is unavailable, AML cannot access data fields in that region. (Operation region writes will be ignored and reads will return indeterminate data.).

#### Arguments: (2)

- Arg0 – An **Integer** containing the Operation Region address space ID
- Arg1 – An **Integer** containing the handler connection code
  - 0 – disconnect the handler
  - 1 – connect the handler

#### Return Value:

- None

Valid Operation Region address space IDs:

0 –	SystemMemory
1 –	SystemIO
2 –	PCI_Config
3 –	Embedded Controller
4 –	SMBus
5 –	CMOS
6 –	PCIBARTarget
7 –	IPMI
0x08-0x7F –	Reserved
0x80-0xFF –	OEM (custom) region space

Except for the cases shown below, control methods must assume all operation regions inaccessible until the `_REG(RegionSpace, 1)` method is executed. Once `_REG` has been executed for a particular operation region, indicating that the operation region handler is ready, a control method can access fields in the operation region. Conversely, control methods must not access fields in operation regions when `_REG` method execution has not indicated that the operation region handler is ready.

For example, until the Embedded Controller driver is ready, the control methods cannot access the Embedded Controller. Once OSPM has run `_REG(EmbeddedControl, 1)`, the control methods can then access operation regions in Embedded Controller address space. Furthermore, if OSPM executes `_REG(EmbeddedControl, 0)`, control methods must stop accessing operation regions in the Embedded Controller address space.

The exceptions for this rule are:

1. OSPM must guarantee that the following operation regions must always be accessible:
  - PCI\_Config operation regions on a PCI root bus containing a `_BBN` object.
  - I/O operation regions.
  - Memory operation regions when accessing memory returned by the System Address Map reporting interfaces.
2. OSPM must make Embedded Controller operation regions, accessed via the Embedded Controllers described in ECDT, available before executing any control method. These operation regions may become inaccessible after OSPM runs `_REG(EmbeddedControl, 0)`.

Place `_REG` in the same scope as operation region declarations. The OS will run the `_REG` in a given scope when the operation regions declared in that scope are available for use.

**Example:**

```
Scope(\_SB.PCI0) {
    OperationRegion(OPR1, PCI_Config, ...)
    Method(_REG, 2) {...} // OSPM executes this when PCIO operation region handler
                        // status changes

    Device(PCI1) {
        Method(_REG, 2) {...}
        Device(ETH0) {
            OperationRegion(OPR2, PCI_Config, ...)
            Method(_REG, 2) {...}
        }
    }
}
Device(ISA0) {
    OperationRegion(OPR3, I/O, ...)
    Method(_REG, 2) {...} // OSPM executes this when ISA0 operation region handler
                        // status changes

    Device(EC0) {
        Name(_HID, EISAID("PNP0C09"))
        OperationRegion(OPR4, EC, ...)
        Method(_REG, 2) {...} // OSPM executes this when EC operation region
                        // handler status changes
    }
}
}
```

When the PCI0 operation region handler is ready, OSPM will run the `_REG` method declared in PCI0 scope to indicate that PCI Config space operation region access is available within the PCI0 scope (in other words, OPR1 access is allowed). When the ISA0 operation handler is ready, OSPM will run the `_REG` method in the ISA0 scope to indicate that the I/O space operation region access is available within that scope (in other words, OPR3 access is allowed). Finally, when the Embedded Controller operation region handler is ready, OSPM will run the `_REG` method in the EC0 scope to indicate that EC space operation region access is available within the EC0 scope (in other words, OPR4 access is allowed). It should be noted that PCI Config Space Operation Regions are ready as soon the host controller or bridge controller has been programmed with a bus number. PCI1's `_REG` method would not be run until the PCI-PCI bridge has been properly configured. At the same time, the OS will also run ETH0's `_REG` method since its PCI Config Space would be also available. The OS will again run ETH0's `_REG` method when the ETH0 device is started. Also, when the host controller or bridge controller is turned off or disabled, PCI Config Space Operation Regions for child devices are no longer available. As such, ETH0's `_REG` method will be run when it is turned off and will again be run when PCI1 is turned off.

**Note:** The OS only runs `_REG` methods that appear in the same scope as operation region declarations that use the operation region type that has just been made available. For example, `_REG` in the EC device would not be run when the PCI bus driver is loaded since the operation regions declared under EC do not use any of the operation region types made available by the PCI driver (namely, config space, I/O, and memory).

### 6.5.5 `_BBN` (Base Bus Number)

For multi-root PCI platforms, the `_BBN` object evaluates to the PCI bus number that the BIOS assigns. This is needed to access a PCI\_Config operation region for the specific bus. The `_BBN` object is located under a PCI host bridge and must be unique for every host bridge within a segment since it is the PCI bus number.

Arguments:

None

Return Value:

An **Integer** that contains the PCI bus number

### 6.5.6 `_SEG` (Segment)

The optional `_SEG` object is located under a PCI host bridge and evaluates to an integer that describes the PCI Segment Group (see PCI Firmware Specification v3.0). If `_SEG` does not exist, OSPM assumes that all PCI bus segments are in PCI Segment Group 0.

Arguments:

None

Return Value:

An **Integer** that contains the PCI segment group

PCI Segment Group is purely a software concept managed by system firmware and used by OSPM. It is a logical collection of PCI buses (or bus segments). There is no tie to any physical entities. It is a way to logically group the PCI bus segments and PCI Express Hierarchies. `_SEG` is a level higher than `_BBN`.

PCI Segment Group supports more than 256 buses in a system by allowing the reuse of the PCI bus numbers. Within each PCI Segment Group, the bus numbers for the PCI buses must be unique. PCI buses in different PCI Segment Group are permitted to have the same bus number.

A PCI Segment Group contains one or more PCI host bridges.

The lower 16 bits of `_SEG` returned integer is the PCI Segment Group number. Other bits are reserved.

### 6.5.6.1 Example

```

Device(ND0) { // this is a node 0
    Name(_HID, "ACPI0004")

    // Returns the "Current Resources"
    Name(_CRS,
        ResourceTemplate() {
            ...
        }
    )
    Device(PCI0) {
        Name(_HID, EISAID("PNP0A03"))
        Name(_ADR, 0x00000000)
        Name(_SEG, 0) // The buses below the host bridge belong to PCI segment 0
        ...
        Name(_BBN, 0)
        ...
    }
    Device(PCI1) {
        ...
        Name(_SEG, 0) // The buses below the host bridge belong to PCI segment 0
        ...
        Name(_BBN, 16)
        ...
    }
}
Device(ND1) { // this is a node 1
    Name(_HID, "ACPI0004")

    // Returns the "Current Resources"
    Name(_CRS,
        ResourceTemplate() {
            ...
        }
    )
    Device(PCI0) {
        Name(_HID, EISAID("PNP0A03"))
        Name(_ADR, 0x00000000)
        Name(_SEG, 1) // The buses below the host bridge belong to PCI segment 1
        ...
        Name(_BBN, 0)
        ...
    }
    Device(PCI1) {
        ...
        Name(_SEG, 1) // The buses below the host bridge belong to PCI segment 1
        ...
        Name(_BBN, 16)
        ...
    }
}

```



### 6.5.7 `_GLK` (Global Lock)

This optional named object is located **within the scope of** a device object. This object returns a value that indicates to any entity that accesses this device (in other words, OSPM or any device driver) whether the Global Lock must be acquired when accessing the device. OS-based device accesses must be performed while in acquisition of the Global Lock when potentially contentious accesses to device resources are performed by non-OS code, such as System Management Mode (SMM)-based code in Intel architecture-based systems. **Default behavior: if `_GLK` is not present within the scope of a given device, then the Global Lock is not required for that device.**

Arguments:

None

Return Value:

An **Integer** that contains the Global Lock requirement code

0 – The Global Lock is not required for this device

1 – The Global lock is required for this device

An example of device resource contention is a device driver for an SMBus-based device contending with SMM-based code for access to the Embedded Controller, SMB-HC, and SMBus target device. In this case, the device driver must acquire and release the Global Lock when accessing the device to avoid resource contention with SMM-based code that accesses any of the listed resources.



## 7 Power and Performance Management

This section specifies the device power management objects and system power management objects. OSPM uses these objects to manage the platform by achieving a desirable balance between performance and energy conservation goals.

Device performance states (Px states) are power consumption and capability states within the active (D0) device power state. Performance states allow OSPM to make tradeoffs between performance and energy conservation. Device performance states have the greatest impact when the implementation is such that the states invoke different device efficiency levels as opposed to a linear scaling of performance and energy consumption. Since performance state transitions occur in the active device states, care must be taken to ensure that performance state transitions do not adversely impact the system.

Device performance state objects, when necessary, are defined on a per device class basis as described in the device class specifications (See Appendix A).

The system state indicator objects are also specified in this section.

### 7.1 Declaring a Power Resource Object

An ASL **PowerResource** statement is used to declare a **PowerResource** object. A Power Resource object refers to a software-controllable power plane, clock plane, or other resource upon which an integrated ACPI power-managed device might rely. Power resource objects can appear wherever is convenient in namespace.

The syntax of a **PowerResource** statement is:

**PowerResource** (*resourcename*, *systemlevel*, *resourceorder*) {**NamedList**}

where the *systemlevel* parameter is a number and the *resourceorder* parameter is a numeric constant (a WORD). For a formal definition of the **PowerResource** statement syntax, see section 18, “ACPI Source Language Reference.”

*Systemlevel* is the lowest power system sleep level OSPM must maintain to keep this power resource on (0 equates to S0, 1 equates to S1, and so on).

Each power-managed ACPI device lists the resources it requires for its supported power levels. OSPM multiplexes this information from all devices and then enables and disables the required Power Resources accordingly. The *resourceorder* field in the Power Resource object is a unique value per Power Resource, and it provides the system with the order in which Power Resources must be enabled or disabled. Power Resources are enabled from low values to high values and are disabled from high values to low values. The operating software enables or disables all affected Power Resources in any one *resourceorder* level at a time before moving on to the next ordered level. Putting Power Resources in different order levels provides power sequencing and serialization where required.

A Power Resource can have named objects under its Namespace location. For a description of the ACPI-defined named objects for a Power Resource, see section 7.2, “Device Power Management Objects.”

The following block of ASL sample code shows a use of **PowerResource**.

```
PowerResource(PIDE, 0, 0) {
  Method(_STA) {
    Return (Xor (GIO.IDEI, One, Zero))    // inverse of isolation
  }
  Method(_ON) {
    Store (One, GIO.IDEP)      // assert power
    Sleep (10)                // wait 10ms
    Store (One, GIO.IDER)     // de-assert reset#
    Stall (10)                // wait 10us
    Store (Zero, GIO.IDEI)    // de-assert isolation
  }
  Method(_OFF) {
    Store (One, GIO.IDEI)     // assert isolation
    Store (Zero, GIO.IDER)   // assert reset#
    Store (Zero, GIO.IDEP)   // de-assert power
  }
}
```

### 7.1.1 Defined Child Objects for a Power Resource

Each power resource object is required to have the following control methods to allow basic control of each power resource. As OSPM changes the state of device objects in the system, the power resources that are needed will also change causing OSPM to turn power resources on and off. To determine the initial power resource settings the `_STA` method can be used.

**Table 7-1 Power Resource Child Objects**

Object	Description
<code>_OFF</code>	Set the resource off.
<code>_ON</code>	Set the resource on.
<code>_STA</code>	Object that evaluates to the current on or off state of the Power Resource. 0–OFF, 1–ON

### 7.1.2 `_OFF`

This power resource control method puts the power resource into the OFF state. The control method does not complete until the power resource is off. OSPM only turns on or off one resource at a time, so the AML code can obtain the proper timing sequencing by using `Stall` or `Sleep` within the ON (or OFF) method to cause the proper sequencing delays between operations on power resources.

Arguments:

None

Return Value:

None

### 7.1.3 **\_ON**

This power resource control method puts the power resource into the ON state. The control method does not complete until the power resource is on. OSPM only turns on or off one resource at a time, so the AML code can obtain the proper timing sequencing by using Stall or Sleep within the ON (or OFF) method to cause the proper sequencing delays between operations on power resources.

Arguments:

None

Return Value:

None

### 7.1.4 **\_STA (Status)**

Returns the current ON or OFF status for the power resource.

Arguments:

None

Return Value:

An **Integer** containing the current power status of the device

0 – The power resource is currently off

1 – The power resource is currently on

## 7.2 Device Power Management Objects

For a device that is power-managed using ACPI, a Definition Block contains one or more of the objects found in the table below. Power management of a device is done using two different paradigms:

- Power Resource control
- Device-specific control

Power Resources are resources that could be shared amongst multiple devices. The operating software will automatically handle control of these devices by determining which particular Power Resources need to be in the ON state at any given time. This determination is made by considering the state of all devices connected to a Power Resource.

By definition, a device that is OFF does not have any power resource or system power state requirements. Therefore, device objects do not list power resources for the OFF power state.

For OSPM to put the device in the D3 state, the following must occur:

- All Power Resources no longer referenced by any device in the system must be in the OFF state.
- If present, the `_PS3` control method is executed to set the device into the D3 device state.

The only transition allowed from the D3 device state is to the D0 device state.

For many devices the Power Resource control is all that is required; however, device objects may include their own device-specific control method.

These two types of power management controls (through Power Resources and through specific devices) can be applied in combination or individually as required.

For systems that do not control device power states through power plane management, but whose devices support multiple D-states, more information is required by the OS to determine the S-state to D-state mapping for the device. The ACPI BIOS can give this information to OSPM by way of the `_SxD` methods. These methods tell OSPM for S-state “x”, the highest D-state supported by the device is “y.” OSPM is allowed to pick a lower D-state for a given S-state, but OSPM is not allowed to exceed the given D-state.

Further rules that apply to device power management objects are:

- For a given S-state, a device cannot be in a higher D-state than its parent device.
- If there exists an ACPI Object to turn on a device (either through `_PSx` or `_PRx` objects), then a corresponding object to turn the device off must also be declared and vice versa.
- If there exists an ACPI Object that controls power (`_PSx` or `_PRx`, where  $x = 0, 1, 2,$  or  $3$ ), then methods to set the device into D0 and D3 device states must be present.
- If a mixture of `_PSx` and `_PRx` methods is declared for the device, then the device states supported through `_PSx` methods must be identical to the device states supported through `_PRx` methods. ACPI system firmware may enable device power state control exclusively through `_PSx` (or `_PRx`) method declarations.

When controlling power to devices which must wake the system during a system sleeping state:

- The device must declare its ability to wake the system by declaring either the `_PRW` or `_PSW` object.
- If `_PR0` is present, then OSPM must choose a sleeping state which is less than or equal to the sleeping state specified.
- After OSPM has called `_PTS`, it must call the device's `_PSW` to enable wake.
- OSPM must transition the device into a D-state which is greater than or equal that specified by the device's `_SxD` object, but less than or equal to that specified by the device's `_SxW` object.
- OSPM may transition the system to the specified sleep state.

**Table 7-2 Device Power Management Child Objects**

Object	Description
<code>_DSW</code>	Control method that enables or disables the device's wake function for device-only wake.
<code>_PS0</code>	Control method that puts the device in the D0 device state (device fully on).
<code>_PS1</code>	Control method that puts the device in the D1 device state.
<code>_PS2</code>	Control method that puts the device in the D2 device state.
<code>_PS3</code>	Control method that puts the device in the D3 device state (device off).
<code>_PSC</code>	Object that evaluates to the device's current power state.
<code>_PR0</code>	Object that evaluates to the device's power requirements in the D0 device state (device fully on).
<code>_PR1</code>	Object that evaluates to the device's power requirements in the D1 device state. The only devices that supply this level are those that can achieve the defined D1 device state according to the related device class.
<code>_PR2</code>	Object that evaluates to the device's power requirements in the D2 device state. The only devices that supply this level are those that can achieve the defined D2 device state according to the related device class.
<code>_PR3</code>	Object that evaluates to the device's power requirements in the D3hot device state.
<code>_PRW</code>	Object that evaluates to the device's power requirements in order to wake the system from a system sleeping state.
<code>_PSW</code>	Control method that enables or disables the device's wake function.
<code>_IRC</code>	Object that signifies the device has a significant inrush current draw.
<code>_S1D</code>	Highest D-state supported by the device in the S1 state
<code>_S2D</code>	Highest D-state supported by the device in the S2 state

Object	Description
_S3D	Highest D-state supported by the device in the S3 state
_S4D	Highest D-state supported by the device in the S4 state
_S0W	Lowest D-state supported by the device in the S0 state which can wake the device
_S1W	Lowest D-state supported by the device in the S1 state which can wake the system.
_S2W	Lowest D-state supported by the device in the S2 state which can wake the system.
_S3W	Lowest D-state supported by the device in the S3 state which can wake the system.
_S4W	Lowest D-state supported by the device in the S4 state which can wake the system.

### 7.2.1 \_DSW (Device Sleep Wake)

In addition to \_PRW, this control method can be used to enable or disable the device's ability to wake a sleeping system. This control method can only access Operation Regions that are either always available while in a system working state or that are available when the Power Resources referenced by the \_PRW object are all ON. For example, do not put a power plane control for a bus controller within configuration space located behind the bus. The method should enable the device only for the last system state/device state combination passed in by OSPM. OSPM will only pass in combinations allowed by the \_SxD and \_SxW objects.

The arguments provided to \_DSW indicate the eventual Device State the device will be transitioned to and the eventual system state that the system will be transitioned to. The target system state is allowed to be the system working state (S0). The \_DSW method will be run before the device is placed in the designated state and also before the system is placed in the designated system state.

Compatibility Note: The \_PSW method is deprecated in ACPI 3.0. The \_DSW method should be used instead. OSPM will only use the \_PSW method if OSPM does not support \_DSW or if the \_DSW method is not present.

#### Arguments: (3)

Arg0 – An **Integer** that contains the device wake capability control

0 – Disable the device's wake capabilities

1 – Enable the device's wake capabilities

Arg1 – An **Integer** that contains the target system state

0 – The system will be in state **S0**

1 – The system will be in state **S1**

Arg2 – An **Integer** that contains the target device state

0 – The device will remain in state **D0**

1 – The device will be placed in either state **D0** or **D1**

2 – The device will be placed in either state **D0**, **D1**, or **D2**

3 – The device will be placed in either state **D0**, **D1**, **D2**, or **D3**

#### Return Value:

None

### 7.2.2 \_PS0 (Power State 0)

This Control Method is used to put the specific device into its D0 state. This Control Method can only access Operation Regions that are either always available while in a system working state or that are available when the Power Resources references by the \_PR0 object are all ON.

Arguments:

None

Return Value:

None

### 7.2.3 **\_PS1 (Power State 1)**

This control method is used to put the specific device into its D1 state. This control method can only access Operation Regions that are either always available while in a system working state or that are available when the Power Resources references by the `_PR1` object are all ON.

Arguments:

None

Return Value:

None

### 7.2.4 **\_PS2 (Power State 2)**

This control method is used to put the specific device into its D2 state. This control method can only access Operation Regions that are either always available while in a system working state or that are available when the Power Resources references by the `_PR2` object are all ON.

Arguments:

None

Return Value:

None

### 7.2.5 **\_PS3 (Power State 3)**

This control method is used to put the specific device into its D3hot or D3 state. This control method can only access Operation Regions that are always available while in a system working state.

A device in the D3 state must no longer be using its resources (for example, its memory space and I/O ports are available to other devices).

Arguments:

None

Return Value:

None

### 7.2.6 **\_PSC (Power State Current)**

This control method evaluates to the current device state. This control method is not required if the device state can be inferred by the Power Resource settings. This would be the case when the device does not require a `_PS0`, `_PS1`, `_PS2`, or `_PS3` control method.

Arguments:

None

Return Value:

An **Integer** that contains a code for the current device state

The device state codes are shown in Table 7-3.



**Table 7-3 \_PSC Device State Codes**

Return Value	Device State
0	D0
1	D1
2	D2
3	D3

### 7.2.7 \_PR0 (Power Resources for D0)

This object evaluates to a list of power resources that are dependent on this device. For OSPM to put the device in the D0 device state, the following must occur:

1. All Power Resources referenced by elements 1 through N must be in the ON state.
2. All Power Resources no longer referenced by any device in the system must be in the OFF state.
3. If present, the \_PS0 control method is executed to set the device into the D0 device state.

Arguments:

None

Return Value:

A variable-length **Package** containing a list of **References** to power resources

This object returns a package as defined below:

**Table 7-4 Power Resource Requirements Package**

Element	Object	Description
1	object reference	Reference to required Power Resource #0
N	object reference	Reference to required Power Resource #N

\_PR0 must return the same data each time it is evaluated. All power resources referenced must exist in the namespace.

### 7.2.8 \_PR1 (Power Resources for D1)

This object evaluates to a list of power resources that are dependent on this device. For OSPM to put the device in the D1 device state, the following must occur:

1. All Power Resources referenced by elements 1 through N must be in the ON state.
2. All Power Resources no longer referenced by any device in the system must be in the OFF state.
3. If present, the \_PS1 control method is executed to set the device into the D1 device state.

Arguments:

None

Return Value:

A variable-length **Package** containing a list of **References** to power resources

This object evaluates to a package as defined in Table 7-4.

\_PR1 must return the same data each time it is evaluated. All power resources referenced must exist in the namespace.

### 7.2.9 **\_PR2 (Power Resources for D2)**

This object evaluates to a list of power resources that are dependent on this device. For OSPM to put the device in the D2 device state, the following must occur:

1. All Power Resources referenced by elements 1 through N must be in the ON state.
2. All Power Resources no longer referenced by any device in the system must be in the OFF state.
3. If present, the `_PS2` control method is executed to set the device into the D2 device state.

Arguments:

None

Return Value:

A variable-length **Package** containing a list of **References** to power resources

`_PR2` must return the same data each time it is evaluated. All power resources referenced must exist in the namespace.

### 7.2.10 **\_PR3 (Power Resources for D3hot)**

This object evaluates to a list of power resources that are dependent on this device. For OSPM to put the device in the D3hot device state, the following must occur:

1. All Power Resources referenced by elements 1 through N must be in the ON state.
2. All Power Resources no longer referenced by any device in the system must be in the OFF state.
3. If present, the `_PS3` control method is executed to set the device into the D3hot device state.

Arguments:

None

Return Value:

A variable-length **Package** containing a list of **References** to power resources

`_PR3` must return the same data each time it is evaluated. All power resources referenced must exist in the namespace.

Interaction between `_PR3` and entry to D3/D3hot (only applicable if platform and OSPM have performed the necessary handshake via `_OSC`):

3. Platform/drivers must assume that the device will have power completely removed when the device is placed into “D3” via `_PS3`
4. It is up to OSPM to determine whether to use D3 or D3hot. If there is a `_PR3` for the device, it is up to OSPM to decide whether or not to keep those power resources on/off after executing `_PS3`. The decision may be based on other factors (e.g. being armed for wake, etc).

### 7.2.11 **\_PRW (Power Resources for Wake)**

This object evaluates to a list of power resources that are dependent on this device and additional information needed for wake, including wake GPE and sleep state information. `_PRW` is only required for devices that have the ability to wake the system from a system sleeping state.

Two types of general purpose events are supported:

1. GPEs that are defined by a GPE block described within the FADT.
2. GPEs that are defined by a GPE Block Device.

The two types of GPEs are differentiated by the type of the *GpeInfo* object in the returned package. For FADT-based GPEs, *GpeInfo* is an **Integer** containing a bit index. For Block Device-based GPEs, *GpeInfo* is a **Package** containing a **Reference** to the parent block device and an **Integer** containing a bit index.

Arguments:

None

Return Value:

A variable-length **Package** containing wake information and a list of **References** to power resources

**Return Value Information**

```

Package {
    GpeInfo                // Integer or Package
    LowestSleepState      // Integer
    PowerResource [0]     // Reference
    . . .
    PowerResource [n]     // Reference
}

```

If *GpeInfo* is a **Package**, it contains GPE block device information as described below:

```

Package {
    GpeDeviceName         // Reference
    BitIndex              // Integer
}

```

*GpeInfo* may be either an **Integer** or a **Package**, depending on the GPE type:

If it is an **Integer**, then it contains the bit index of the wake GPE within the FADT-based GPE enable register.

If it is a **Package**, then the package contains GPE info for an event within a GPE block device. It contains a **Reference** to the GPE block device and an **Integer** containing the bit index of the wake GPE within the Block Device-based GPE enable register.

*LowestSleepState* is an **Integer** that contains the lowest power system sleeping state that can be entered while still providing wake functionality.

*PowerResource 0-n* are **References** to required power resource objects.

**Additional Information**

For OSPM to have the defined wake capability properly enabled for the device, the following must occur:

1. All Power Resources referenced by elements 2 through N are put into the ON state.
2. If present, the `_PSW` control method is executed to set the device-specific registers to enable the wake functionality of the device.
3. The D-state being entered must be at least that specified in the `_SxD` state but no greater than that specified in the `_SxW` state.

Then, if the system enters a sleeping state OSPM must ensure:

1. Interrupts are disabled.
2. The sleeping state being entered must be less than or equal to the power state declared in element 1 of the `_PRW` object.
3. The proper general-purpose register bits are enabled.

The system sleeping state specified must be a state that the system supports (in other words, a corresponding `\_Sx` object must exist in the namespace).

`_PRW` must return the same data each time it is evaluated. All power resources referenced must exist in the namespace.

**7.2.12 `_PSW` (Power State Wake)**

In addition to the `_PRW` control method, this control method can be used to enable or disable the device's ability to wake a sleeping system. This control method can only access Operation Regions that are either always available while in a system working state or that are available when the Power Resources references by the `_PRW` object are all ON. For example, do not put a power plane control for a bus controller within configuration space located behind the bus.

Compatibility Note: The `_PSW` method is deprecated in ACPI 3.0. OSPM must use `_DSW` if it is present. Otherwise, it may use `_PSW`.

Arguments: (1)

- Arg0 – An **Integer** containing a wake capability control
  - 0 – Disable the device’s wake capabilities
  - 1 – Enable the device’s wake capabilities

Return Value:

None

**7.2.13 \_IRC (In Rush Current)**

Indicates that this device can cause a significant in-rush current when transitioning to state **D0**.

Arguments:

None

Return Value:

None

The presence of this object signifies that transitioning the device to its D0 state causes a system-significant in-rush current load. In general, such operations need to be serialized such that multiple operations are not attempted concurrently. Within ACPI, this type of serialization can be accomplished with the *ResourceOrder* parameter of the device’s Power Resources; however, this does not serialize ACPI-controlled devices with non-ACPI controlled devices. **\_IRC** is used to signify this fact outside of OSPM to OSPM such that OSPM can serialize all devices in the system that have in-rush current serialization requirements.

OSPM can only transition one device containing an **\_IRC** object within its device scope to the D0 state at a time.

It is important to note that OSPM does not evaluate the **\_IRC** object. It has no defined input arguments nor does it return any value. OSPM derives meaning simply from the existence of the **\_IRC** object.

**7.2.14 \_S1D (S1 Device State)**

This object evaluates to an integer that conveys to OSPM the highest power (lowest number) D-state supported by this device in the S1 system sleeping state. **\_S1D** must return the same integer each time it is evaluated. This value overrides an S-state to D-state mapping OSPM may ascertain from the device’s power resource declarations. See Table 7-3 for valid return values.

Arguments:

None

Return Value:

An **Integer** containing the highest D-state supported in state **S1**

If the device can wake the system from the S1 system sleeping state (see **\_PRW**) then the device must support wake in the D-state returned by this object. However, OSPM cannot assume wake from the S1 system sleeping state is supported in any lower D-state unless specified by a corresponding **\_S1W** object. The table below provides a mapping from Desired Actions to Resultant D-state entered based on the values returned from the **\_S1D**, **\_PRW**, and **\_S1W** objects if they exist. (D/C means Don’t Care – evaluation is irrelevant, and N/A means Non Applicable – object does not exist).

**Table 7-5 S1 Action / Result Table**

Desired Action	_S1D	_PRW	_S1W	Resultant D-state
Enter S1	D/C	D/C	D/C	OSPM decides
Enter S1, No Wake	2	D/C	D/C	Enter D2 or D3
Enter S1, Wake	2	1	N/A	Enter D2
Enter S1, Wake	2	1	3	Enter D2 or D3
Enter S1, Wake	N/A	1	2	Enter D0,D1 or D2

### 7.2.15 \_S2D (S2 Device State)

This object evaluates to an integer that conveys to OSPM the highest power (lowest number) D-state supported by this device in the S2 system sleeping state. \_S2D must return the same integer each time it is evaluated. This value overrides an S-state to D-state mapping OSPM may ascertain from the device's power resource declarations. See Table 7-3 for valid return values.

Arguments:

None

Return Value:

An **Integer** containing the highest D-state supported in state **S2**

If the device can wake the system from the S2 system sleeping state (see \_PRW) then the device must support wake in the D-state returned by this object. However, OSPM cannot assume wake from the S2 system sleeping state is supported in any lower D-state unless specified by a corresponding \_S2W object. The table below provides a mapping from Desired Actions to Resultant D-state entered based on the values returned from the \_S2D, \_PRW, and \_S2W objects if they exist. (D/C means Don't Care – evaluation is irrelevant, and N/A means Non Applicable – object does not exist).

**Table 7-6 S2 Action / Result Table**

Desired Action	_S2D	_PRW	_S2W	Resultant D-state
Enter S2	D/C	D/C	D/C	OSPM decides
Enter S2, No Wake	2	D/C	D/C	Enter D2 or D3
Enter S2, Wake	2	2	N/A	Enter D2
Enter S2, Wake	2	2	3	Enter D2 or D3
Enter S2, Wake	N/A	2	2	Enter D0,D1 or D2

### 7.2.16 \_S3D (S3 Device State)

This object evaluates to an integer that conveys to OSPM the highest power (lowest number) D-state supported by this device in the S3 system sleeping state. \_S3D must return the same integer each time it is evaluated. This value overrides an S-state to D-state mapping OSPM may ascertain from the device's power resource declarations. See Table 7-3 for valid return values.

Arguments:

None

Return Value:

An **Integer** containing the highest D-state supported in state **S3**

If the device can wake the system from the S3 system sleeping state (see `_PRW`) then the device must support wake in the D-state returned by this object. However, OSPM cannot assume wake from the S3 system sleeping state is supported in any lower D-state unless specified by a corresponding `_S3W` object. The table below provides a mapping from Desired Actions to Resultant D-state entered based on the values returned from the `_S3D`, `_PRW`, and `_S3W` objects if they exist. (D/C means Don't Care – evaluation is irrelevant, and N/A means Non Applicable – object does not exist).

**Table 7-7 S3 Action / Result Table**

Desired Action	<code>_S3D</code>	<code>_PRW</code>	<code>_S3W</code>	Resultant D-state
Enter S3	N/A	D/C	N/A	OSPM decides
Enter S3, No Wake	2	D/C	D/C	Enter D2 or D3
Enter S3, Wake	2	3	N/A	Enter D2
Enter S3, Wake	2	3	3	Enter D2 or D3
Enter S3, Wake	N/A	3	2	Enter D0, D1 or D2

### 7.2.17 `_S4D` (S4 Device State)

This object evaluates to an integer that conveys to OSPM the highest power (lowest number) D-state supported by this device in the S4 system sleeping state. `_S4D` must return the same integer each time it is evaluated. This value overrides an S-state to D-state mapping OSPM may ascertain from the device's power resource declarations. See Table 7-3 for valid return values.

Arguments:

None

Return Value:

An **Integer** containing the highest D-state supported in state **S4**

If the device can wake the system from the S4 system sleeping state (see `_PRW`) then the device must support wake in the D-state returned by this object. However, OSPM cannot assume wake from the S4 system sleeping state is supported in any lower D-state unless specified by a corresponding `_S4W` object. The table below provides a mapping from Desired Actions to Resultant D-state entered based on the values returned from the `_S4D`, `_PRW`, and `_S4W` objects if they exist. (D/C means Don't Care – evaluation is irrelevant, and N/A means Non Applicable – object does not exist).

**Table 7-8 S4 Action / Result Table**

Desired Action	<code>_S4D</code>	<code>_PRW</code>	<code>_S4W</code>	Resultant D-state
Enter S4	N/A	D/C	N/A	OSPM decides
Enter S4, No Wake	2	D/C	D/C	Enter D2 or D3
Enter S4, Wake	2	4	N/A	Enter D2
Enter S4, Wake	2	4	3	Enter D2 or D3
Enter S4, Wake	N/A	4	2	Enter D0, D1 or D2

### 7.2.18 **\_S0W (S0 Device Wake State)**

This object evaluates to an integer that conveys to OSPM the lowest power (highest number) D-state supported by this device in the S0 system sleeping state *where the device can wake itself*.

Arguments:

None

Return Value:

An **Integer** containing the lowest D-state supported in state **S0**

**\_S0W** must return the same integer each time it is evaluated. This value allows OSPM to choose the lowest power D-state and still achieve wake functionality. If object evaluates to zero, then the device cannot wake itself from any lower sleeping state.

### 7.2.19 **\_S1W (S1 Device Wake State)**

This object evaluates to an integer that conveys to OSPM the lowest power (highest number) D-state supported by this device in the S1 system sleeping state *which can wake the system*.

Arguments:

None

Return Value:

An **Integer** containing the lowest D-state supported in state **S1**

**\_S1W** must return the same integer each time it is evaluated. This value allows OSPM to choose a lower S-state to D-state mapping than specified by **\_S1D**. This value must always be greater than or equal to **\_S1D**, if **\_S1D** is present.

### 7.2.20 **\_S2W (S2 Device Wake State)**

This object evaluates to an integer that conveys to OSPM the lowest power (highest number) D-state supported by this device in the S2 system sleeping state *which can wake the system*.

Arguments:

None

Return Value:

An **Integer** containing the lowest D-state supported in state **S2**

**\_S2W** must return the same integer each time it is evaluated. This value allows OSPM to choose a lower S-state to D-state mapping than specified by **\_S2D**. This value must always be greater than or equal to **\_S2D**, if **\_S2D** is present.

### 7.2.21 **\_S3W (S3 Device Wake State)**

This object evaluates to an integer that conveys to OSPM the lowest power (highest number) D-state supported by this device in the S3 system sleeping state *which can wake the system*.

Arguments:

None

Return Value:

An **Integer** containing the lowest D-state supported in state **S3**

**\_S3W** must return the same integer each time it is evaluated. This value allows OSPM to choose a lower S-state to D-state mapping than specified by **\_S3D**. This value must always be greater than or equal to **\_S3D**, if **\_S3D** is present.

### 7.2.22 **\_S4W (S4 Device Wake State)**

This object evaluates to an integer that conveys to OSPM the lowest power (highest number) D-state supported by this device in the S4 system sleeping state *which can wake the system*.

Arguments:

None

Return Value:

An **Integer** containing the lowest D-state supported in state **S4**

\_S4W must return the same integer each time it is evaluated. This value allows OSPM to choose a lower S-state to D-state mapping than specified by \_S4D. This value must always be greater than or equal to \_S4D, if \_S4D is present.

## 7.3 OEM-Supplied System-Level Control Methods

An OEM-supplied Definition Block provides some number of controls appropriate for system-level management. These are used by OSPM to integrate to the OEM-provided features. The following table lists the defined OEM system controls that can be provided.

**Table 7-9 BIOS-Supplied Control Methods for System-Level Functions**

Object	Description
\_BFS	Control method executed immediately following a wake event.
\_PTS	Control method used to notify the platform of impending sleep transition.
\_GTS	Control method executed just prior to setting the sleep enable (SLP_EN) bit.
\_S0	Package that defines system \_S0 state mode.
\_S1	Package that defines system \_S1 state mode.
\_S2	Package that defines system \_S2 state mode.
\_S3	Package that defines system \_S3 state mode.
\_S4	Package that defines system \_S4 state mode.
\_S5	Package that defines system \_S5 state mode.
\_TTS	Control method used to prepare to sleep and run once awakened
\_WAK	Control method run once awakened.

### 7.3.1 **\\_BFS (Back From Sleep)**

\_BFS is an optional control method. If it exists, OSPM must execute the \_BFS method immediately following wake from any sleeping state S1, S2, S3, or S4. \_BFS allows ACPI system firmware to perform any required system specific functions when returning a system sleep state. OSPM will execute the \_BFS control method before performing any other physical I/O or enabling any interrupt servicing upon returning from a sleeping state. A value that indicates the sleeping state from which the system was awoken (in other words, 1=S1, 2=S2, 3=S3, 4=S4) is passed as an argument to the \_BFS control method.

Arguments (1):

Arg0 – An **Integer** containing the value of the previous sleeping state (1 for **S1**, 2 for **S2**, etc.)

Return Value:

None



### 7.3.2 \\_PTS (Prepare To Sleep)

The `\_PTS` control method is executed by the OS during the sleep transition process for S1, S2, S3, S4, and for orderly S5 shutdown. The sleeping state value (For example, 1, 2, 3, 4 or 5 for the S5 soft-off state) is passed to the `\_PTS` control method. This method is called after OSPM has notified native device drivers of the sleep state transition and before the OSPM has had a chance to fully prepare the system for a sleep state transition. Thus, this control method can be executed a relatively long time before actually entering the desired sleeping state. If OSPM aborts the sleep state transition, OSPM should run the `\_WAK` method to indicate this condition to the platform.

Arguments (1):

Arg0 – An **Integer** containing the value of the sleeping state (1 for **S1**, 2 for **S2**, etc.)

Return Value:

None

The `\_PTS` control method cannot modify the current configuration or power state of any device in the system. For example, `\_PTS` would simply store the sleep type in the embedded controller in sequencing the system into a sleep state when the `SLP_EN` bit is set.

The platform must not make any assumptions about the state of the machine when `\_PTS` is called. For example, operation region accesses that require devices to be configured and enabled may not succeed, as these devices may be in a non-decoding state due to plug and play or power management operations.

### 7.3.3 \\_GTS (Going To Sleep)

`\_GTS` is an optional control method. If it exists, OSPM must execute the `\_GTS` control method just prior to setting the sleep enable (`SLP_EN`) bit in the PM1 control register when entering the S1, S2, S3, and S4 sleeping states and when entering S5 for orderly shutdown. `\_GTS` allows ACPI system firmware to perform any required system specific functions prior to entering a system sleep state. OSPM will set the sleep enable (`SLP_EN`) bit in the PM1 control register immediately following the execution of the `\_GTS` control method without performing any other physical I/O or allowing any interrupt servicing. The sleeping state value (1, 2, 3, 4, or 5) is passed as an argument to the `\_GTS` control method. The `\_GTS` method must not attempt to directly place the system into a sleeping state. OSPM performs this function by setting the sleep enable bit upon return from `\_GTS`. In the case of entry into the S5 soft off state however, `\_GTS` may indeed perform operations that place the system into the S5 state as OSPM will not regain control.

Arguments (1):

Arg0 – An **Integer** containing the value of the sleeping state (1 for **S1**, 2 for **S2**, etc.)

Return Value:

None

The `\_GTS` method must be self-contained (not call other methods). Additionally, `\_GTS` may only access OpRegions that are currently available (see the `\_REG` method for details).

### 7.3.4 System \\_Sx states

All system states supported by the system must provide a package containing the DWORD value of the following format in the static Definition Block. The system states, known as S0–S5, are referenced in the namespace as \\_S0–\\_S5 and for clarity the short Sx names are used unless specifically referring to the named \\_Sx object. For each Sx state, there is a defined system behavior.

Arguments:

None

Return Value:

A **Package** containing an **Integer** containing register values for sleeping

**Table 7-10 System State Package**

Byte Length	Byte Offset	Description
1	0	Value for PM1a_CNT.SLP_TYP register to enter this system state.
1	1	Value for PM1b_CNT.SLP_TYP register to enter this system state. To enter any given state, OSPM must write the PM1a_CNT.SLP_TYP register before the PM1b_CNT.SLP_TYP register.
2	2	<i>Reserved</i>

States S1–S4 represent some system sleeping state. The S0 state is the system working state. Transition into the S0 state from some other system state (such as sleeping) is automatic, and, by virtue that instructions are being executed, OSPM assumes the system to be in the S0 state. Transition into any system sleeping state is only accomplished by the operating software directing the hardware to enter the appropriate state, and the operating software can only do this within the requirements defined in the Power Resource and Bus/Device Package objects.

All run-time system state transitions (for example, to and from the S0 state), except S4 and S5, are done similarly such that the code sequence to do this is the following:

```

/*
 * Intel Architecture SetSleepingState example
 */

ULONG
SetSystemSleeping (
    IN ULONG NewState
)
{
    PROCESSOR_CONTEXT Context;
    ULONG PowerSequance;
    BOOLEAN FlushCaches;
    USHORT SlpTyp;

// Required environment: Executing on the system boot
// processor. All other processors stopped. Interrupts
// disabled. All Power Resources (and devices) are in
// corresponding device state to support NewState.

    // Get h/w attributes for this system state
    FlushCaches = SleepType[NewState].FlushCache;
    SlpTyp = SleepType[NewState].SlpTyp & SLP_TYP_MASK;

    _asm {
        lea    eax, OsResumeContext
        push  eax                ; Build real mode handler the resume
        push  offset sp50        ; context, with eip = sp50
        call  SaveProcessorState

        mov   eax, ResumeVector   ; set firmware's resume vector
        mov   [eax], offset OsRealModeResumeCode

        mov   edx, PM1a_STS        ; Make sure wake status is clear
        mov   ax, WAK_STS          ; (cleared by asserting the bit
        out   dx, ax              ; in the status register)

        mov   edx, PM1b_STS        ;
        out   dx, ax              ;

        and   eax, not SLP_TYP_MASK
        or    eax, SlpTyp          ; set SLP_TYP
        or    ax, SLP_EN           ; set SLP_EN

        cmp   FlushCaches, 0
        jz    short sp10          ; If needed, ensure no dirty data in

        call  FlushProcessorCaches ; the caches while sleeping

sp10:    mov   edx, PM1a_SLP_TYP    ; get address for PM1a_SLP_TYP
        out   dx, ax                ; start h/w sequencing
        mov   edx, PM1b_SLP_TYP    ; get address for PM1b_SLP_TYP
        out   dx, ax                ; start h/w sequencing

        mov   edx, PM1a_STS        ; get address for PM1x_STS
        mov   ecx, PM1b_STS

sp20:    in    ax, dx                ; wait for WAK status
        xchg  edx, ecx
        test  ax, WAK_STS
        jz    short sp20

sp50:
    }

    // Done..
    *ResumeVector = NULL;
    return 0;
}

```

### 7.3.4.1 System \\_S0 State (Working)

While the system is in the S0 state, it is in the system working state. The behavior of this state is defined as:

- The processors are in the C0, C1, C2, or C3 states. The processor-complex context is maintained and instructions are executed as defined by any of these processor states.
- Dynamic RAM context is maintained and is read/write by the processors.
- Devices states are individually managed by the operating software and can be in any device state (D0, D1, D2, D3hot, or D3).
- Power Resources are in a state compatible with the current device states.

Transition into the S0 state from some system sleeping state is automatic, and by virtue that instructions are being executed OSPM, assumes the system to be in the S0 state.

### 7.3.4.2 System \\_S1 State (Sleeping with Processor Context Maintained)

While the system is in the S1 sleeping state, its behavior is the following:

- The processors are not executing instructions. The processor-complex context is maintained.
- Dynamic RAM context is maintained.
- Power Resources are in a state compatible with the system S1 state. All Power Resources that supply a System-Level reference of S0 are in the OFF state.
- Devices states are compatible with the current Power Resource states. Only devices that solely reference Power Resources that are in the ON state for a given device state can be in that device state. In all other cases, the device is in the D3 (off) state<sup>10</sup>.
- Devices that are enabled to wake the system and that can do so from their current device state can initiate a hardware event that transitions the system state to S0. This transition causes the processor to continue execution where it left off.

To transition into the S1 state, the OSPM must flush all processor caches.

### 7.3.4.3 System \\_S2 State

The S2 sleeping state is logically lower than the S1 state and is assumed to conserve more power. The behavior of this state is defined as:

- The processors are not executing instructions. The processor-complex context is not maintained.
- Dynamic RAM context is maintained.
- Power Resources are in a state compatible with the system S2 state. All Power Resources that supply a System-Level reference of S0 or S1 are in the OFF state.
- Devices states are compatible with the current Power Resource states. Only devices that solely reference Power Resources that are in the ON state for a given device state can be in that device state. In all other cases, the device is in the D3 (off) state.
- Devices that are enabled to wake the system and that can do so from their current device state can initiate a hardware event that transitions the system state to S0. This transition causes the processor to begin execution at its boot location. The BIOS performs initialization of core functions as needed to exit an S2 state and passes control to the firmware resume vector. See section 15.3.2, “BIOS Initialization of Memory,” for more details on BIOS initialization.

Because the processor context can be lost while in the S2 state, the transition to the S2 state requires that the operating software flush all dirty cache to dynamic RAM (DRAM).

---

<sup>10</sup> Or it is at least assumed to be in the D3 state by its device driver. For example, if the device doesn't explicitly describe how it can stay in some state non-off state while the system is in a sleeping state, the operating software must assume that the device can lose its power and state.

#### 7.3.4.4 System \\_S3 State

The S3 state is logically lower than the S2 state and is assumed to conserve more power. The behavior of this state is defined as follows:

- The processors are not executing instructions. The processor-complex context is not maintained.
- Dynamic RAM context is maintained.
- Power Resources are in a state compatible with the system S3 state. All Power Resources that supply a System-Level reference of S0, S1, or S2 are in the OFF state.
- Devices states are compatible with the current Power Resource states. Only devices that solely reference Power Resources that are in the ON state for a given device state can be in that device state. In all other cases, the device is in the D3 (off) state.
- Devices that are enabled to wake the system and that can do so from their current device state can initiate a hardware event that transitions the system state to S0. This transition causes the processor to begin execution at its boot location. The BIOS performs initialization of core functions as necessary to exit an S3 state and passes control to the firmware resume vector. See section 15.3.2, “BIOS Initialization of Memory,” for more details on BIOS initialization.

From the software viewpoint, this state is functionally the same as the S2 state. The operational difference can be that some Power Resources that could be left ON to be in the S2 state might not be available to the S3 state. As such, additional devices may need to be in a logically lower D0, D1, D2, or D3 state for S3 than S2. Similarly, some device wake events can function in S2 but not S3.

Because the processor context can be lost while in the S3 state, the transition to the S3 state requires that the operating software flush all dirty cache to DRAM.

#### 7.3.4.5 System \\_S4 State

While the system is in this state, it is in the system S4 sleeping state. The state is logically lower than the S3 state and is assumed to conserve more power. The behavior of this state is defined as follows:

- The processors are not executing instructions. The processor-complex context is not maintained.
- DRAM context is not maintained.
- Power Resources are in a state compatible with the system S4 state. All Power Resources that supply a System-Level reference of S0, S1, S2, or S3 are in the OFF state.
- Devices states are compatible with the current Power Resource states. In other words, all devices are in the D3 state when the system state is S4.
- Devices that are enabled to wake the system and that can do so from their device state in S4 can initiate a hardware event that transitions the system state to S0. This transition causes the processor to begin execution at its boot location.

After OSPM has executed the `_PTS` control method and has put the entire system state into main memory, there are two ways that OSPM may handle the next phase of the S4 state transition; saving and restoring main memory. The first way is to use the operating system’s drivers to access the disks and file system structures to save a copy of memory to disk and then initiate the hardware S4 sequence by setting the `SLP_EN` register bit. When the system wakes, the firmware performs a normal boot process and transfers control to the OS via the `firmware_waking_vector` loader. The OS then restores the system’s memory and resumes execution.

The alternate method for entering the S4 state is to utilize the BIOS via the S4BIOS transition. The BIOS uses firmware to save a copy of memory to disk and then initiates the hardware S4 sequence. When the system wakes, the firmware restores memory from disk and wakes OSPM by transferring control to the FACS waking vector.

The S4BIOS transition is optional, but any system that supports this mechanism must support entering the S4 state via the direct OS mechanism. Thus the preferred mechanism for S4 support is the direct OS mechanism as it provides broader platform support. The alternate S4BIOS transition provides a way to achieve S4 support on operating systems that do not have support for the direct method.

### 7.3.4.6 System \\_S5 State (Soft Off)

The S5 state is similar to the S4 state except that OSPM does not save any context. The system is in the soft off state and requires a complete boot when awakened (BIOS and OS). Software uses a different state value to distinguish between this state and the S4 state to allow for initial boot operations within the BIOS to distinguish whether or not the boot is going to wake from a saved memory image. OSPM does not disable wake events before setting the SLP\_EN bit when entering the S5 system state. This provides support for remote management initiatives by enabling Remote Start capability. An ACPI-compliant OS must provide an end user accessible mechanism for disabling all wake devices, with the exception of the system power button, from a single point in the user interface.

### 7.3.5 \_SWS (System Wake Source)

This object provides a means for OSPM to definitively determine the source of an event that caused the system to enter the S0 state. General-purpose event and fixed-feature hardware registers containing wake event sources information are insufficient for this purpose as the source event information may not be available after transitions to the S0 state from all other system states (S1-S5).

To determine the source event that caused the system to transition to the S0 state, OSPM will evaluate the \_SWS object, when it exists, under the \_GPE scope (for all fixed-feature general-purpose events from the GPE Blocks), under the \_SB scope (for fixed-feature hardware events), and within the scope of a GPE Block device (for GPE events from this device). \_SWS objects may exist in any or all of these locations as necessary for the platform to determine the source event that caused the system to transition to the S0 state.

#### Arguments:

None

#### Return Value:

An **Integer** containing the *Source Event* as described below

The value of the *Source Event* is dependent on the location of the \_SWS object:

1. If \_SWS is evaluated under the \_GPE scope, *Source Event* is the index of the GPE that caused the system to transition to **S0**.
2. If \_SWS is evaluated within the scope of a GPE block device, *Source Event* is the index of the GPE that caused the system to transition to **S0**. In this case, the index is relative to the GPE block device and is not unique system-wide.
3. If \_SWS is evaluated under the \_SB scope, *Source Event* is the the index in the PM1 status register that caused the system to transition to **S0**.

In all cases above, if the cause of the **S0** transition cannot be determined, \_SWS returns **Ones** (-1).

To enable OSPM to determine the source of the S0 state transition via the \_SWS object, the hardware or firmware should detect and save the event that caused the transition so that it can be returned during \_SWS object evaluation. The single wake source for the system may be latched in hardware during the transition so that no false wake events can be returned by \_SWS. An implementation that does not use hardware to latch a single wake source for the system and instead uses firmware to save the wake source must do so as quickly as possible after the wakeup event occurs, so that \_SWS does not return values that correspond to events that occurred after the sleep-to-wake transition. Such an implementation must also take care to ensure that events that occur subsequent to the wakeup source being saved do not overwrite the original wakeup source.

The source event data returned by \_SWS must be determined for each transition into the S0 state. The value returned by \_SWS must also be persistent during the system's residency in the S0 state as OSPM may evaluate \_SWS multiple times. In this case, the platform must return the same source event information for each invocation.

After evaluating an `_SWS` object within the `\_GPE` scope or within the scope of a GPE block device, OSPM will invoke the `_Wxx` control method corresponding to the GPE index returned by `_SWS` if it exists. This allows the platform to further determine source event if the GPE is shared among multiple devices. See Section 5.6.2.2.5 for details.

### 7.3.6 `\_TTS` (Transition To State)

The `_TTS` control method is executed by the OSPM at the beginning of the sleep transition process for S1, S2, S3, S4, and orderly S5 shutdown. OSPM will invoke `_TTS` before it has notified any native mode device drivers of the sleep state transition. The sleeping state value (For example, 1, 2, 3, 4 or 5 for the S5 soft-off state) is passed to the `_TTS` control method.

The `_TTS` control method is also executed by the OSPM at the end of any sleep transition process when the system transitions to S0 from S1, S2, S3, or S4. OSPM will invoke `_TTS` after it has notified any native mode device drivers of the end of the sleep state transition. The working state value (0) is passed to the `_TTS` control method.

#### Arguments: (1)

Arg0 – An **Integer** containing the value of the sleeping state (1 for S1, 2 for S2, etc.)

#### Return Value:

None

If OSPM aborts the sleep transition process, OSPM will still run `_TTS` for an S0 transition to indicate the OSPM has returned to the S0 state. The platform must assume that if OSPM invokes the `_TTS` control method for an S1, S2, S3, or S4 transition, that OSPM will invoke `_TTS` control method for an S0 transition before returning to the S0 state.

The platform must not make any assumptions about the state of the machine when `_TTS` is called. For example, operation region accesses that require devices to be configured and enabled may not succeed, as these devices may be in a non-decoding state due to plug and play or power management operations.

### 7.3.7 `\_WAK` (System Wake)

After the system wakes from a sleeping state, it will invoke the `\_WAK` method and pass the sleeping state value that has ended. This operation occurs asynchronously with other driver notifications in the system and is not the first action to be taken when the system wakes. The AML code for this control method issues device, thermal, and other notifications to ensure that OSPM checks the state of devices, thermal zones, and so on, that could not be maintained during the system sleeping state. For example, if the system cannot determine whether a device was inserted or removed from a bus while in the S2 state, the `_WAK` method would issue a *devicecheck* type of notification for that bus when issued with the sleeping state value of 2 (for more information about types of notifications, see section 5.6.5, “Device Object Notifications”). Notice that a device check notification from the `\_SB` node will cause OSPM to re-enumerate the entire tree<sup>11</sup>.

Hardware is not obligated to track the state needed to supply the resulting status; however, this method must return status concerning the last sleep operation initiated by OSPM. The return values can be used to provide additional information to OSPM or user.

#### Arguments: (1)

Arg0 – An **Integer** containing the value of the sleeping state (1 for S1, 2 for S2, etc.)

#### Return Value:

A **Package** containing two **Integers** containing status and the power supply S-state

---

<sup>11</sup> Only buses that support hardware-defined enumeration methods are done automatically at run-time. This would include ACPI-enumerated devices.

**Return Value Information**

\_WAK returns a package with the following format:

Element 0 – An **Integer** containing a bitfield that represents conditions that occurred during sleep.

- 0x00000000 – Wake was signaled and was successful
- 0x00000001 – Wake was signaled but failed due to lack of power
- 0x00000002 – Wake was signaled but failed due to thermal condition
- Other values – Reserved

Element 1 – An **Integer** containing the power supply S-state.

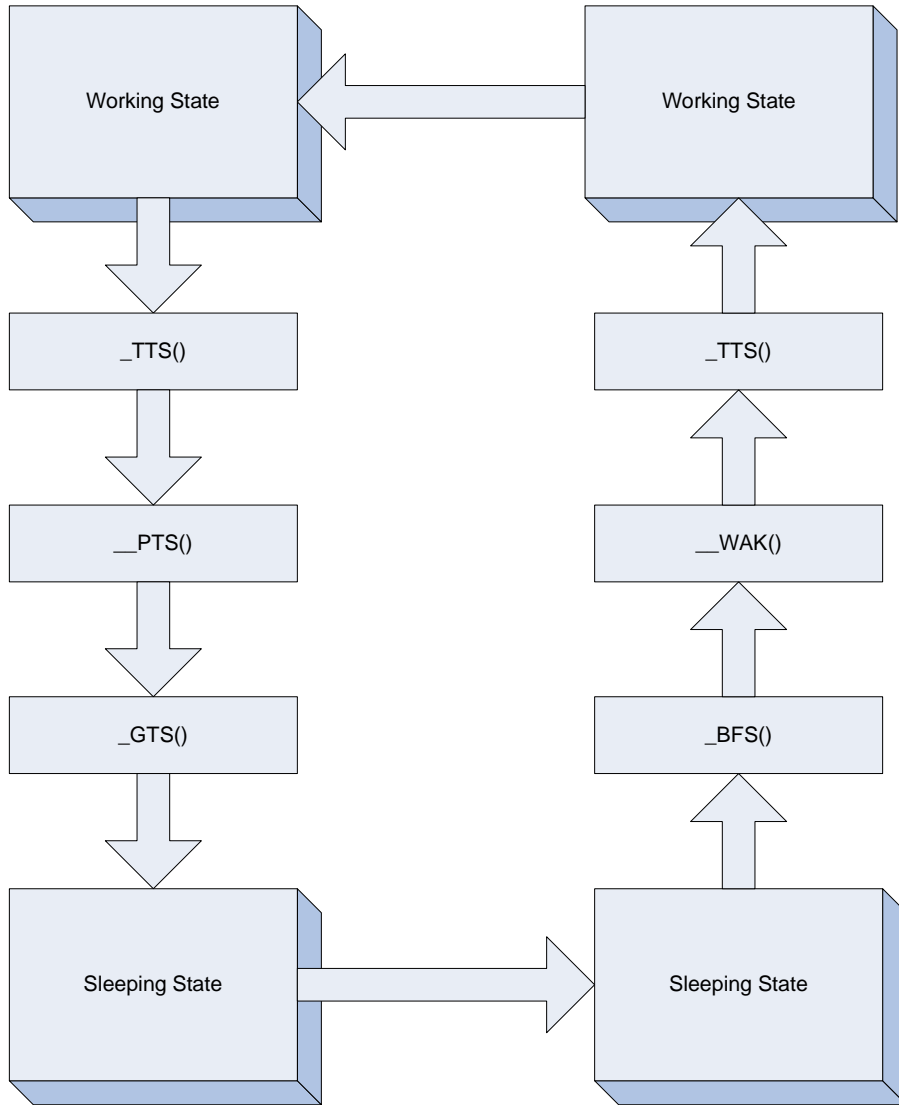
If non-zero, this is the effective S-state the power supply that was actually entered. This value is used to detect when the targeted S-state was not entered because of too much current being drawn from the power supply. For example, this might occur when some active device's current consumption pushes the system's power requirements over the low power supply mark, thus preventing the lower power mode from being entered as desired.

**7.4 OSPM usage of \_GTS, \_PTS, \_TTS, \_WAK, and \_BFS**

OSPM will invoke \_GTS, \_PTS, \_TTS, \_WAK, and \_BFS in the following order:

1. OSPM decides (through a policy scheme) to place the system into a sleeping state
2. \_TTS(Sx) is run, where Sx is the desired sleep state to enter
3. OSPM notifies all native device drivers of the sleep state transition
4. \_PTS is run
5. OSPM readies system for the sleep state transition
6. \_GTS is run
7. OSPM writes the sleep vector and the system enters the specified Sx sleep state
8. System Wakes up
9. \_BFS is run
10. OSPM readies system for the return from the sleep state transition
11. \_WAK is run
12. OSPM notifies all native device drivers of the return from the sleep state transition
13. \_TTS(0) is run to indicate the return to the S0 state





**Figure 7-1 Working / Sleeping State object evaluation flow**



## 8 Processor Configuration and Control

This section describes the configuration and control of the processor's power and performance states. The major controls over the processors are:

- Processor power states: C0, C1, C2, C3, ... Cn
- Processor clock throttling
- Processor performance states: P0, P1, ... Pn

These controls are used in combination by OSPM to achieve the desired balance of the following sometimes conflicting goals:

- Performance
- Power consumption and battery life
- Thermal requirements
- Noise-level requirements

Because the goals interact with each other, the operating software needs to implement a policy as to when and where tradeoffs between the goals are to be made<sup>12</sup>. For example, the operating software would determine when the audible noise of the fan is undesirable and would trade off that requirement for lower thermal requirements, which can lead to lower processing performance. Each processor configuration and control interface is discussed in the following sections along with how controls interacts with the various goals.

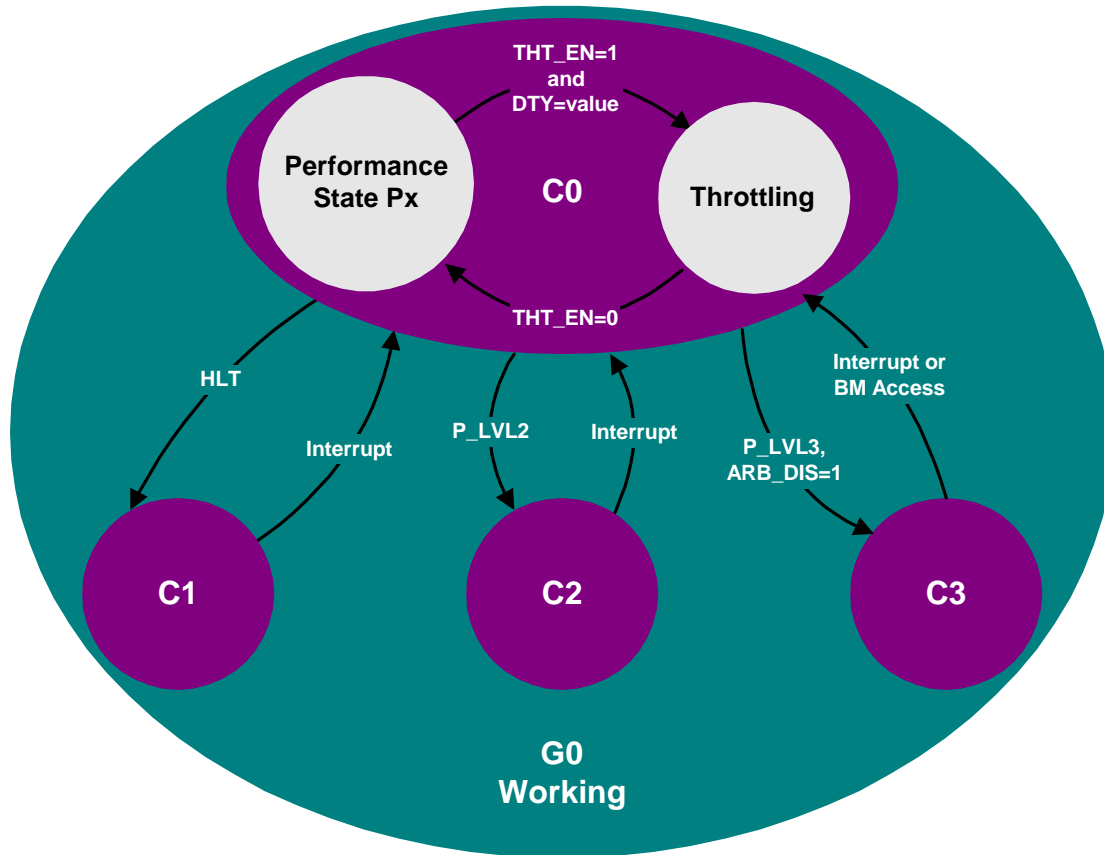
### 8.1 Processor Power States

ACPI defines the power state of system processors while in the G0 working state<sup>13</sup> as being either active (executing) or sleeping (not executing). Processor power states include are designated C0, C1, C2, C3, ...Cn. The C0 power state is an active power state where the CPU executes instructions. The C1 through Cn power states are processor sleeping states where the processor consumes less power and dissipates less heat than leaving the processor in the C0 state. While in a sleeping state, the processor does not execute any instructions. Each processor sleeping state has a latency associated with entering and exiting that corresponds to the power savings. In general, the longer the entry/exit latency, the greater the power savings when in the state. To conserve power, OSPM places the processor into one of its supported sleeping states when idle. While in the C0 state, ACPI allows the performance of the processor to be altered through a defined "throttling" process and through transitions into multiple performance states (P-states). A diagram of processor power states is provided below.

---

<sup>12</sup> A thermal warning leaves room for operating system tradeoffs to occur (to start the fan or to reduce performance), but a critical thermal alert does not occur.

<sup>13</sup> Notice that these CPU states map into the G0 working state. The state of the CPU is undefined in the G3 sleeping state, the Cx states only apply to the G0 state.



**Figure 8-1 Processor Power States**

ACPI defines logic on a per-CPU basis that OSPM uses to transition between the different processor power states. This logic is optional, and is described through the FADT table and processor objects (contained in the hierarchical namespace). The fields and flags within the FADT table describe the symmetrical features of the hardware, and the processor object contains the location for the particular CPU's clock logic (described by the P\_BLK register block and \_CST objects).

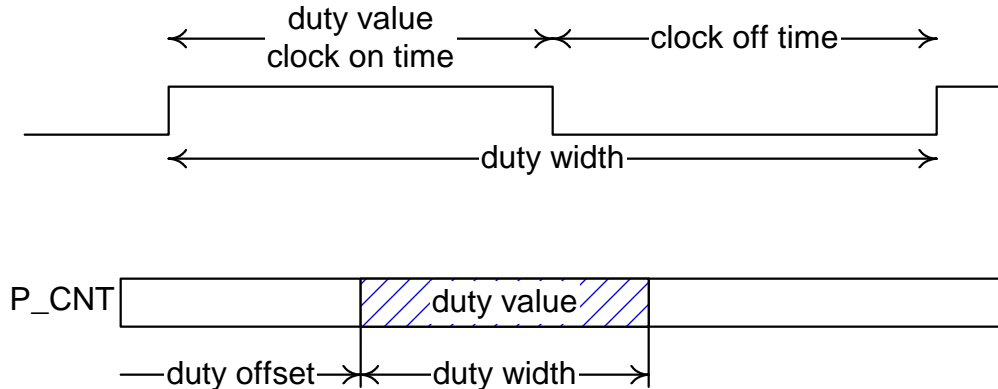
The P\_LVL2 and P\_LVL3 registers provide optional support for placing the system processors into the C2 or C3 states. The P\_LVL2 register is used to sequence the selected processor into the C2 state, and the P\_LVL3 register is used to sequence the selected processor into the C3 state. Additional support for the C3 state is provided through the bus master status and arbiter disable bits (BM\_STS in the PM1\_STS register and ARB\_DIS in the PM2\_CNT register). System software reads the P\_LVL2 or P\_LVL3 registers to enter the C2 or C3 power state. The Hardware must put the processor into the proper clock state precisely on the read operation to the appropriate P\_LVLx register. The platform may alternatively define interfaces allowing OSPM to enter C-states using the \_CST object, which is defined in Section 8.4.2.1, “\_CST (C States)”.

Processor power state support is symmetric when presented via the FADT and P\_BLK interfaces; OSPM assumes all processors in a system support the same power states. If processors have non-symmetric power state support, then the BIOS will choose and use the lowest common power states supported by all the processors in the system through the FADT table. For example, if the CPU0 processor supports all power states up to and including the C3 state, but the CPU1 processor only supports the C1 power state, then OSPM will only place idle processors into the C1 power state (CPU0 will never be put into the C2 or C3 power states). Notice that the C1 power state must be supported. The C2 and C3 power states are optional (see the PROC\_C1 flag in the FADT table description in section 5.2.6, “System Description Table Header”).

The following sections describe processor power states in detail.

### 8.1.1 Processor Power State C0

While the processor is in the C0 power state, it executes instructions. While in the C0 power state, OSPM can generate a policy to run the processor at less than maximum performance. The clock throttling mechanism provides OSPM with the functionality to perform this task in addition to thermal control. The mechanism allows OSPM to program a value into a register that reduces the processor's performance to a percentage of maximum performance.



**Figure 8-2 Throttling Example**

The FADT contains the duty offset and duty width values. The duty offset value determines the offset within the P\_CNT register of the duty value. The duty width value determines the number of bits used by the duty value (which determines the granularity of the throttling logic). The performance of the processor by the clock logic can be expressed with the following equation:

$$\% \text{ Performance} = \frac{\text{dutysetting}}{2^{\text{dutywidth}}} * 100\%$$

**Equation 1 Duty Cycle Equation**

Nominal performance is defined as “close as possible, but not below the indicated performance level.” OSPM will use the duty offset and duty width to determine how to access the duty setting field. OSPM will then program the duty setting based on the thermal condition and desired power of the processor object. OSPM calculates the nominal performance of the processor using the equation expressed in Equation 1. Notice that a *dutysetting* of zero is reserved.

For example, the clock logic could use the stop grant cycle to emulate a divided processor clock frequency on an IA processor (through the use of the STPCLK# signal). This signal internally stops the processor's clock when asserted LOW. To implement logic that provides eight levels of clock control, the STPCLK# pin could be asserted as follows (to emulate the different frequency settings):

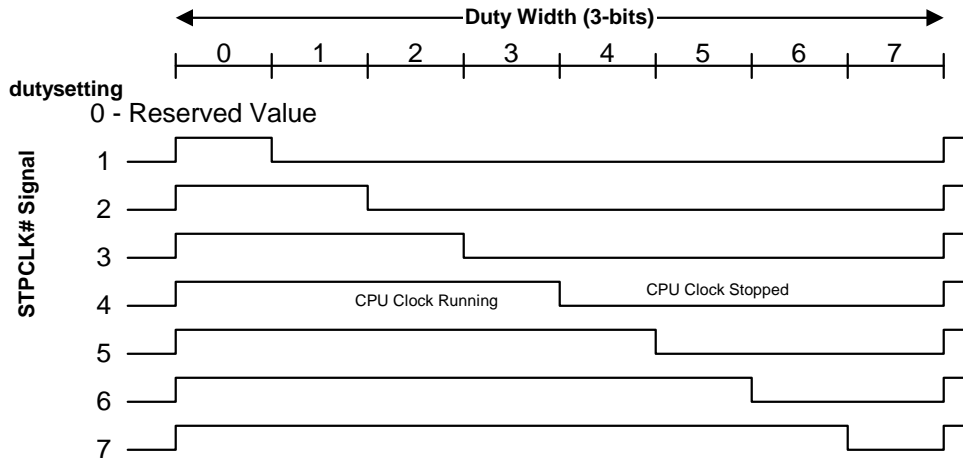


Figure 8-3 Example Control for the STPCLK#

To start the throttling logic OSPM sets the desired duty setting and then sets the THT\_EN bit HIGH. To change the duty setting, OSPM will first reset the THT\_EN bit LOW, then write another value to the duty setting field while preserving the other unused fields of this register, and then set the THT\_EN bit HIGH again.

The example logic model is shown below:

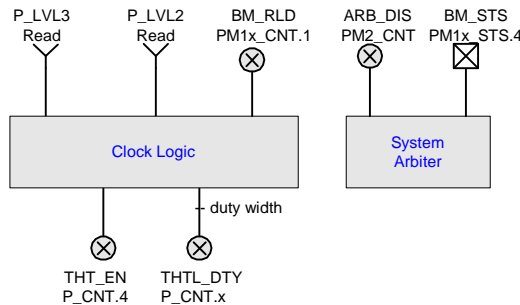


Figure 8-4 ACPI Clock Logic (One per Processor)

Implementation of the ACPI processor power state controls minimally requires the support a single CPU sleeping state (C1). All of the CPU power states occur in the G0/S0 system state; they have no meaning when the system transitions into the sleeping state(S1-S4). ACPI defines the attributes (semantics) of the different CPU states (defines four of them). It is up to the platform implementation to map an appropriate low-power CPU state to the defined ACPI CPU state.

ACPI clock control is supported through the optional processor register block (P\_BLK). ACPI requires that there be a unique processor register block for each CPU in the system. Additionally, ACPI requires that the clock logic for multiprocessor systems be symmetrical when using the P\_BLK and FADT interfaces; if the P0 processor supports the C1, C2, and C3 states, but P1 only supports the C1 state, then OSPM will limit all processors to enter the C1 state when idle.

The following sections define the different ACPI CPU sleeping states.

### 8.1.2 Processor Power State C1

All processors must support this power state. This state is supported through a native instruction of the processor (HLT for IA 32-bit processors), and assumes no hardware support is needed from the chipset. The hardware latency of this state must be low enough that OSPM does not consider the latency aspect of the state when deciding whether to use it. Aside from putting the processor in a power state, this state has no other software-visible effects. In the C1 power state, the processor is able to maintain the context of the system caches.

The hardware can exit this state for any reason, but must always exit this state when an interrupt is to be presented to the processor.

### 8.1.3 Processor Power State C2

This processor power state is optionally supported by the system. If present, the state offers improved power savings over the C1 state and is entered by using the P\_LVL2 command register for the local processor or an alternative mechanism as indicated by the \_CST object. The worst-case hardware latency for this state is declared in the FADT and OSPM can use this information to determine when the C1 state should be used instead of the C2 state. Aside from putting the processor in a power state, this state has no other software-visible effects. OSPM assumes the C2 power state has lower power and higher exit latency than the C1 power state.

The C2 power state is an optional ACPI clock state that needs chipset hardware support. This clock logic consists of an interface that can be manipulated to cause the processor complex to precisely transition into a C2 power state. In a C2 power state, the processor is assumed capable of keeping its caches coherent; for example, bus master and multiprocessor activity can take place without corrupting cache context.

The C2 state puts the processor into a low-power state optimized around multiprocessor and bus master systems. OSPM will cause an idle processor complex to enter a C2 state if there are bus masters or Multiple processor activity (which will prevent OSPM from placing the processor complex into the C3 state). The processor complex is able to snoop bus master or multiprocessor CPU accesses to memory while in the C2 state.

The hardware can exit this state for any reason, but must always exit this state whenever an interrupt is to be presented to the processor.

### 8.1.4 Processor Power State C3

This processor power state is optionally supported by the system. If present, the state offers improved power savings over the C1 and C2 state and is entered by using the P\_LVL3 command register for the local processor or an alternative mechanism as indicated by the \_CST object. The worst-case hardware latency for this state is declared in the FADT, and OSPM can use this information to determine when the C1 or C2 state should be used instead of the C3 state. While in the C3 state, the processor's caches maintain state but the processor is not required to snoop bus master or multiprocessor CPU accesses to memory.

The hardware can exit this state for any reason, but must always exit this state when an interrupt is to be presented to the processor or when BM\_RLD is set and a bus master is attempting to gain access to memory.

OSPM is responsible for ensuring that the caches maintain coherency. In a uniprocessor environment, this can be done by using the PM2\_CNT.ARB\_DIS bus master arbitration disable register to ensure bus master cycles do not occur while in the C3 state. In a multiprocessor environment, the processors' caches can be flushed and invalidated such that no dynamic information remains in the caches before entering the C3 state.

There are two mechanisms for supporting the C3 power state:

- Having OSPM flush and invalidate the caches prior to entering the C3 state.
- Providing hardware mechanisms to prevent masters from writing to memory (uniprocessor-only support).

In the first case, OSPM will flush the system caches prior to entering the C3 state. As there is normally much latency associated with flushing processor caches, OSPM is likely to only support this in multiprocessor platforms for idle processors. Flushing of the cache is accomplished through one of the defined ACPI mechanisms (described below in section 8.2, “Flushing Caches”).

In uniprocessor-only platforms that provide the needed hardware functionality (defined in this section), OSPM will attempt to place the platform into a mode that will prevent system bus masters from writing into memory while the processor is in the C3 state. This is accomplished by disabling bus masters prior to entering a C3 power state. Upon a bus master requesting an access, the CPU will awaken from the C3 state and re-enable bus master accesses.

OSPM uses the BM\_STS bit to determine the power state to enter when considering a transition to or from the C2/C3 power state. The BM\_STS is an optional bit that indicates when bus masters are active. OSPM uses this bit to determine the policy between the C2 and C3 power states: a lot of bus master activity demotes the CPU power state to the C2 (or C1 if C2 is not supported), no bus master activity promotes the CPU power state to the C3 power state. OSPM keeps a running history of the BM\_STS bit to determine CPU power state policy.

The last hardware feature used in the C3 power state is the BM\_RLD bit. This bit determines if the C<sub>x</sub> power state is exited as a result of bus master requests. If set, then the C<sub>x</sub> power state is exited upon a request from a bus master. If reset, the power state is not exited upon bus master requests. In the C3 state, bus master requests need to transition the CPU back to the C0 state (as the system is capable of maintaining cache coherency), but such a transition is not needed for the C2 state. OSPM can optionally set this bit when using a C3 power state, and clear it when using a C1 or C2 power state.

### 8.1.5 Additional Processor Power States

ACPI introduced optional processor power states beyond C3 starting in ACPI 2.0. These power states, C4... C<sub>n</sub>, are conveyed to OSPM through the \_CST object defined in section 8.4.2.1, “\_CST (C-States).” These additional power states are characterized by equivalent operational semantics to the C1 through C3 power states, as defined in the previous sections, but with different entry/exit latencies and power savings. See section 8.4.2.1, “\_CST (C-States),” for more information.

## 8.2 Flushing Caches

To support the C3 power state without using the ARB\_DIS feature, the hardware must provide functionality to flush and invalidate the processors’ caches (for an IA processor, this would be the WBINVD instruction). To support the S1, S2 or S3 sleeping states, the hardware must provide functionality to flush the platform caches. Flushing of caches is supported by one of the following mechanisms:

- Processor instruction to write back and invalidate system caches (WBINVD instruction for IA processors).
- Processor instruction to write back but not invalidate system caches (WBINVD instruction for IA processors and some chipsets with partial support; that is, they don’t invalidate the caches).

The ACPI specification expects all platforms to support the local CPU instruction for flushing system caches (with support in both the CPU and chipset), and provides some limited “best effort” support for systems that don’t currently meet this capability. The method used by the platform is indicated through the appropriate FADT fields and flags indicated in this section.

ACPI specifies parameters in the FADT that describe the system’s cache capabilities. If the platform properly supports the processor’s write back and invalidate instruction (WBINVD for IA processors), then this support is indicated to OSPM by setting the WBINVD flag in the FADT.



If the platform supports neither of the first two flushing options, then OSPM can attempt to manually flush the cache if it meets the following criteria:

- A cache-enabled sequential read of contiguous physical memory of not more than 2 MB will flush the platform caches.

There are two additional FADT fields needed to support manual flushing of the caches:

- FLUSH\_SIZE, typically twice the size of the largest cache in the system.
- FLUSH\_STRIDE, typically the smallest cache line size in the system.

### 8.3 Power, Performance, and Throttling State Dependencies

Cost and complexity trade-off considerations have driven into the platform control dependencies between logical processors when entering power, performance, and throttling states. These dependencies exist in various forms in multi-processor, multi-threaded processor, and multi-core processor-based platforms. These dependencies may also be hierarchical. For example, a multi-processor system consisting of processors containing multiple cores containing multiple threads may have various dependencies as a result of the hardware implementation.

Unless OSPM is aware of the dependency between the logical processors, it might lead to scenarios where one logical processor is implicitly transitioned to a power, performance, or throttling state when it is unwarranted, leading to incorrect / non-optimal system behavior. Given knowledge of the dependencies, OSPM can coordinate the transitions between logical processors, choosing to initiate the transition when doing so does not lead to incorrect or non-optimal system behavior. This OSPM coordination is referred to as Software (SW) Coordination. Alternately, it might be possible for the underlying hardware to coordinate the state transition requests on multiple logical processors, causing the processors to transition to the target state when the transition is guaranteed to not lead to incorrect or non-optimal system behavior. This scenario is referred to as Hardware (HW) coordination. When hardware coordinates transitions, OSPM continues to initiate state transitions as it would if there were no dependencies. However, in this case it is required that hardware provide OSPM with a means to determine actual state residency so that correct / optimal control policy can be realized.

Platforms containing logical processors with cross-processor dependencies in the power, performance, or throttling state control areas use ACPI defined interfaces to group logical processors into what is referred to as a dependency domain. The Coordination Type characteristic for a domain specifies whether OSPM or underlying hardware is responsible for the coordination. When OSPM coordinates, the platform may require that OSPM transition ALL (0xFC) or ANY ONE (0xFD) of the processors belonging to the domain into a particular target state. OSPM may choose at its discretion to perform coordination even though the underlying hardware supports hardware coordination. In this case, OSPM must transition all logical processors in the dependency domain to the particular target state.

There are no dependencies implied between a processor's C-states, P-states or T-states. Hence, for example it is possible to use the same dependency domain number for specifying dependencies between P-states among one set of processors and C-states among another set of processors without any dependencies being implied between the P-State transitions on a processor in the first set and C-state transitions on a processor in the second set.

### 8.4 Declaring Processors

Each processor in the system must be declared in the ACPI namespace in either the `\_SB` or `\_PR` scope but not both. Declaration of processors in the `\_PR` scope is required for platforms desiring compatibility with ACPI 1.0-based OSPM implementations. Processors are declared either via the ASL **Processor** statement or the ASL **Device** statement. A **Processor** definition declares a processor object that provides processor configuration information and points to the processor register block (P\_BLK). A **Device** definition for a processor is declared using the ACPI0007 hardware identifier (HID). In this case, processor configuration information is provided exclusively by objects in the processor device's object list.

When the platform uses the APIC interrupt model, OSPM associates processors declared in the namespace with entries in the MADT. Prior to ACPI 3.0, this was accomplished using the processor object's ProcessorID and the ACPI Processor ID fields in MADT entries. UID fields were added to MADT entries in ACPI 3.0. By expanding processor declaration using **Device** definitions, UID object values under a processor device are used to associate processor devices with entries in the MADT. This removes the previous 256 processor declaration limit.

The platform may declare processors with IDs in the range of 0-254 for APIC/x2APIC implementations and 0-255 for SAPIC implementations using either the ASL **Processor** statement or the ASL **Device** statement but not both. Processors with IDs outside these ranges must be declared using the ASL **Device** statement.

Processor-specific objects may be included in the processor object's optional object list or declared within the processor device's scope. These objects serve multiple purposes including providing alternative definitions for the registers described by the processor register block (P\_BLK) and processor performance state control. Other ACPI-defined device-related objects are also allowed in the processor object's object list or under the processor device's scope (for example, the unique identifier object \_UID).

With device-like characteristics attributed to processors, it is implied that a processor device driver will be loaded by OSPM to, at a minimum, process device notifications. OSPM will enumerate processors in the system using the ACPI Namespace, processor-specific native identification instructions, and optionally the \_HID method.

OSPM will ignore definitions of ACPI-defined objects in an object list of a processor object declared under the \\_PR scope.

For more information on the declaration of the processor object, see section 18.5.93, "Processor (Declare Processor)." Processor-specific objects are described in the following sections.

#### 8.4.1 \_PDC (Processor Driver Capabilities)

This optional object is a method that is used by OSPM to communicate to the platform the level of processor power management support provided by OSPM. This object is a child object of the processor. OSPM evaluates \_PDC prior to evaluating any other processor power management objects returning configuration information.

The \_PDC object provides OSPM a mechanism to convey to the platform the capabilities supported by OSPM for processor power management. This allows the platform to modify the ACPI namespace objects returning configuration information for processor power management based on the level of support provided by OSPM. Using this method provides a mechanism for OEMs to provide support for new technologies on legacy OSes, while also allowing OSPM to leverage new technologies on platforms capable of supporting them. This method is evaluated once during processor device initialization, and will not be re-evaluated during resume from a sleep state transition. The platform must preserve state information across S1-S3 sleep state transitions.

##### Arguments: (1)

Arg0 – A variable-length **Buffer** containing a list of capabilities as described below

##### Return Value:

None

The buffer argument contains a list of DWORDs in the following format:

RevisionId –	Revision of the buffer format
Count –	The number of capability values in the capabilities array
Capabilities[Count] –	Capabilities array

Each DWORD entry in the capabilities array is a bitfield that defines capabilities and features supported by OSPM for processor configuration and power management as specified by the CPU manufacturer.

The use of \_PDC is deprecated in ACPI 3.0 in favor of \_OSC. For backwards compatibility, \_PDC may be implemented using \_OSC as follows:

```

Method(_PDC,1)
{
    CreatedWordField (Arg0, 0, REVS)
    CreatedWordField (Arg0, 4, SIZE)

    //
    // Local0 = Number of bytes for Arg0
    //
    Store (SizeOf (Arg0), Local0)

    //
    // Local1 = Number of Capabilities bytes in Arg0
    //
    Store (Subtract (Local0, 8), Local1)

    //
    // TEMP = Temporary field holding Capability DWORDs
    //
    CreateField (Arg0, 64, Multiply (Local1, 8), TEMP)

    //
    // Create the Status (STS0) buffer with the first DWORD = 0
    // This is required to return errors defined by _OSC.
    //
    Name (STS0, Buffer () {0x00, 0x00, 0x00, 0x00})

    //
    // Concatenate the _PDC capabilities bytes to the STS0 Buffer
    // and store them in a local variable for calling OSC
    //
    Concatenate (STS0, TEMP, Local2)

    //
    // Note: The UUID passed into _OSC is CPU vendor specific. Consult CPU
    // vendor documentation for UUID and Capabilities Buffer bit definitions
    //
    _OSC (ToUUID("4077A616-290C-47BE-9EBD-D87058713953"), REVS, SIZE, Local2)
}

```

Section 6.2.9, “\_OSC (Operating System Capabilities)”, describes the \_OSC object, which can be used to convey processor related OSPM capabilities to the platform. Consult CPU vendor specific documentation for the UUID and Capabilities Buffer bit definitions used by \_OSC for a specific processor.

## 8.4.2 Processor Power State Control

ACPI defines two processor power state (C state) control interfaces. These are:

- 1) The Processor Register Block’s (P\_BLK’s) P\_LVL2 and P\_LVL3 registers coupled with FADT P\_LVLx\_LAT values and
- 2) The \_CST object in the processor’s object list.

P\_BLK based C state controls are described in Section 4, “ACPI Hardware Specification” and Section 8.1, “Processor Power States”. \_CST based C state controls expand the functionality of the P\_BLK based controls allowing the number and type of C states to be dynamic and accommodate CPU architecture specific C state entry and exit mechanisms as indicated by registers defined using the Functional Fixed Hardware address space.

### 8.4.2.1 \_CST (C States)

\_CST is an optional object that provides an alternative method to declare the supported processor power states (C States). Values provided by the \_CST object override P\_LVLx values in P\_BLK and P\_LVLx\_LAT values in the FADT. The \_CST object allows the number of processor power states to be expanded beyond C1, C2, and C3 to an arbitrary number of power states. The entry semantics for these expanded states, (in other words), the considerations for entering these states, are conveyed to OSPM by the C-state Type field and correspond to the entry semantics for C1, C2, and C3 as described in sections 8.1.2 through 8.1.4. \_CST defines ascending C-states characterized by lower power and higher entry/exit latency.

Arguments:

None

Return Value:

A variable-length **Package** containing a list of C-state information **Packages** as described below

**Return Value Information**

\_CST returns a variable-length **Package** that contains the following elements:

Count        An **Integer** that contains the number of CState sub-packages that follow  
 CStates[]    A list of **Count** CState sub-packages

```
Package {
  Count           // Integer
  CStates[0]     // Package
  ...
  CStates[Count-1] // Package
}
```

Each fixed-length Cstate sub-**Package** contains the elements described below:

```
Package {
  Register        // Buffer (Resource Descriptor)
  Type            // Integer (BYTE)
  Latency         // Integer (WORD)
  Power           // Integer (DWORD)
}
```

**Table 8-1 Cstate Package Values**

Element	Object Type	Description
Register	<b>Buffer</b>	Contains a Resource Descriptor with a single <b>Register()</b> descriptor that describes the register that OSPM must read to place the processor in the corresponding C state.
Type	<b>Integer</b> (BYTE)	The C State type (1= <b>C1</b> , 2= <b>C2</b> , 3= <b>C3</b> , etc.). This field conveys the semantics to be used by OSPM when entering/exiting the C state. Zero is not a valid value.
Latency	<b>Integer</b> (WORD)	The worst-case latency to enter and exit the C State (in microseconds). There are no latency restrictions.
Power	<b>Integer</b> (DWORD)	The average power consumption of the processor when in the corresponding C State (in milliwatts).

The platform must expose a \_CST object for either all or none of its processors. If the \_CST object exists, OSPM uses the C state information specified in the \_CST object in lieu of P\_LVL2 and P\_LVL3 registers defined in P\_BLK and the P\_LVLx\_LAT values defined in the FADT. Also notice that if the \_CST object exists and the \_PTC object does **not** exist, OSPM will use the Processor Control Register defined in P\_BLK and the C\_State\_Register registers in the \_CST object.

The platform may change the number or type of C States available for OSPM use dynamically by issuing a **Notify** event on the processor object with a notification value of 0x81. This will cause OSPM to re-evaluate any `_CST` object residing under the processor object notified. For example, the platform might notify OSPM that the number of supported C States has changed as a result of an asynchronous AC insertion / removal event.

The platform must specify unique `C_State_Register` addresses for all entries within a given `_CST` object.

`_CST` eliminates the ACPI 1.0 restriction that all processors must have C State parity. With `_CST`, each processor can have its own characteristics independent of other processors. For example, processor 0 can support C1, C2 and C3, while processor 1 supports only C1.

The fields in the processor structure remain for backward compatibility.

### Example

```
Processor (
  \_SB.CPU0,      // Processor Name
  1,              // ACPI Processor number
  0x120,          // PBlk system IO address
  6 )            // PBlkLen
{
  Name(_CST, Package()
  {
    4,            // There are four C-states defined here with three semantics
                // The third and fourth C-states defined have the same C3 entry semantics
    Package(){ResourceTemplate(){Register(FixedHW, 0, 0, 0)}, 1, 20, 1000},
    Package(){ResourceTemplate(){Register(SystemIO, 8, 0, 0x161)}, 2, 40, 750},
    Package(){ResourceTemplate(){Register(SystemIO, 8, 0, 0x162)}, 3, 60, 500},
    Package(){ResourceTemplate(){Register(SystemIO, 8, 0, 0x163)}, 3, 100, 250}
  })
}
```

Notice in the example above that OSPM should anticipate the possibility of a `_CST` object providing more than one entry with the same `C_State_Type` value. In this case OSPM must decide which `C_State_Register` it will use to enter that C state.

### Example

This is an example usage of the `_CST` object using the typical values as defined in ACPI 1.0.

```
Processor (
  \_SB.CPU0,      // Processor Name
  1,              // ACPI Processor number
  0x120,          // PBLK system IO address
  6 )            // PBLK Len
{
  Name(_CST, Package()
  {
    2,            // There are two C-states defined here - C2 and C3
    Package(){ResourceTemplate(){Register(SystemIO, 8, 0, 0x124)}, 2, 2, 750},
    Package(){ResourceTemplate(){Register(SystemIO, 8, 0, 0x125)}, 3, 65, 500}
  })
}
```

The platform will issue a **Notify**(`\_SB.CPU0, 0x81`) to inform OSPM to re-evaluate this object when the number of available processor power states changes.

### 8.4.2.2 **\_CSD (C-State Dependency)**

This optional object provides C-state control cross logical processor dependency information to OSPM. The **\_CSD** object evaluates to a packaged list of information that correlates with the C-state information returned by the **\_CST** object. Each packaged list entry identifies the C-state for which the dependency is being specified (as an index into the **\_CST** object list), a dependency domain number for that C-state, the coordination type for that C-state and the number of logical processors belonging to the domain for the particular C-state. It is possible that a particular C-state may belong to multiple domains. That is, it is possible to have multiple entries in the **\_CSD** list with the same **CStateIndex** value.

**Arguments:**

None

**Return Value:**

A variable-length **Package** containing a list of C-state dependency **Packages** as described below.

**Return Value Information**

```
Package {
    CStateDependency[0]    // Package
    ...
    CStateDependency[n]    // Package
}
```

Each **CstateDependency** sub-**Package** contains the elements described below:

```
Package {
    NumEntries              // Integer
    Revision                 // Integer (BYTE)
    Domain                   // Integer (DWORD)
    CoordType                // Integer (DWORD)
    NumProcessors            // Integer (DWORD)
    Index                    // Integer (DWORD)
}
```

**Table 8-2 CStateDependency Package Values**

Element	Object Type	Description
NumEntries	<b>Integer</b>	The number of entries in the <b>CstateDependency</b> package including this field. Current value is 6.
Revision	<b>Integer</b> (BYTE)	The revision number of the <b>CstateDependency</b> package format. Current value is 0.
Domain	<b>Integer</b> (DWORD)	The dependency domain number to which this C state entry belongs.
CoordType	<b>Integer</b> (DWORD)	The type of coordination that exists (hardware) or is required (software) as a result of the underlying hardware dependency. Could be either 0xFC (SW_ALL), 0xFD (SW_ANY) or 0xFE (HW_ALL) indicating whether OSPM is responsible for coordinating the C-state transitions among processors with dependencies (and needs to initiate the transition on all or any processor in the domain) or whether the hardware will perform this coordination.
Num Processors	<b>Integer</b> (DWORD)	The number of processors belonging to the domain for the particular C-state. OSPM will not start performing power state transitions to a particular C-state until this number of processors belonging to the same domain for the particular C-state have been detected and started.
Index	<b>Integer</b> (DWORD)	Indicates the index of the C-State entry in the <b>_CST</b> object for which the dependency applies.

Given that the number or type of available C States may change dynamically, ACPI supports Notify events on the processor object, with Notify events of type 0x81 causing OSPM to re-evaluate any `_CST` objects residing under the particular processor object notified. On receipt of Notify events of type 0x81, OSPM should re-evaluate any present `_CSD` objects also.

### Example

This is an example usage of the `_CSD` structure in a Processor structure in the namespace. The example represents a two processor configuration. The C1-type state can be independently entered on each processor. For the C2-type state, there exists dependence between the two processors, such that one processor transitioning to the C2-type state, causes the other processor to transition to the C2-type state. A similar dependence exists for the C3-type state. OSPM will be required to coordinate the C2 and C3 transitions between the two processors. Also OSPM can initiate a transition on either processor to cause both to transition to the common target C-state.

```
Processor (
  \_SB.CPU0,      // Processor Name
  1,              // ACPI Processor number
  0x120,         // PBlk system IO address
  6 )            // PBlkLen
{
  Name (_CST, Package()
  {
    3,           // There are three C-states defined here with three semantics
    Package(){ResourceTemplate(){Register(FFixedHW, 0, 0, 0)}, 1, 20, 1000},
    Package(){ResourceTemplate(){Register(SystemIO, 8, 0, 0x161)}, 2, 40, 750},
    Package(){ResourceTemplate(){Register(SystemIO, 8, 0, 0x162)}, 3, 60, 500}
  })
  Name(_CSD, Package()
  {
    Package(){6, 0, 0, 0xFD, 2, 1}, // 6 entries,Revision 0,Domain 0,OSPM Coordinate
                                     // Initiate on Any Proc,2 Procs, Index 1 (C2-type)
    Package(){6, 0, 0, 0xFD, 2, 2} // 6 entries,Revision 0 Domain 0,OSPM Coordinate
                                     // Initiate on Any Proc,2 Procs, Index 2 (C3-type)
  })
}
Processor (
  \_SB.CPU1,      // Processor Name
  2,              // ACPI Processor number
  ,              // PBlk system IO address
  )            // PBlkLen
{
  Name(_CST, Package()
  {
    3,           // There are three C-states defined here with three semantics
    Package(){ResourceTemplate(){Register(FFixedHW, 0, 0, 0)}, 1, 20, 1000},
    Package(){ResourceTemplate(){Register(SystemIO, 8, 0, 0x161)}, 2, 40, 750},
    Package(){ResourceTemplate(){Register(SystemIO, 8, 0, 0x162)}, 3, 60, 500}
  })
  Name(_CSD, Package()
  {
    Package(){6, 0, 0, 0xFD, 2, 1}, // 6 entries,Revision 0,Domain 0,OSPM Coordinate
                                     // Initiate on any Proc,2 Procs, Index 1 (C2-type)
    Package(){6, 0, 0, 0xFD, 2, 2} // 6 entries,Revision 0,Domain 0,OSPM Coordinate
                                     // Initiate on any Proc,2 Procs,Index 2 (C3-type)
  })
}
```

When the platform issues a `Notify(\_SB.CPU0, 0x81)` to inform OSPM to re-evaluate `_CST` when the number of available processor power states changes, OSPM should also evaluate `_CSD`.

### 8.4.3 Processor Throttling Controls

ACPI defines two processor throttling (T state) control interfaces. These are:

- 1) The Processor Register Block's (P\_BLK's) P\_CNT register, and
- 2) The combined \_PTC, \_TSS, and \_TPC objects in the processor's object list.

P\_BLK based throttling state controls are described in Section 4, "ACPI Hardware Specification" and Section 8.1.1, "Processor Power State C0". Combined \_PTC, \_TSS, and \_TPC based throttling state controls expand the functionality of the P\_BLK based control allowing the number of T states to be dynamic and accommodate CPU architecture specific T state control mechanisms as indicated by registers defined using the Functional Fixed Hardware address space. While platform definition of the \_PTC, \_TSS, and \_TPC objects is optional, all three objects must exist under a processor for OSPM to successfully perform processor throttling via these controls.

#### 8.4.3.1 \_PTC (Processor Throttling Control)

\_PTC is an optional object that defines a processor throttling control interface alternative to the I/O address spaced-based P\_BLK throttling control register (P\_CNT) described in section 4, "ACPI Hardware Specification". The processor throttling control register mechanism remains as defined in section 8.1.1, "Processor Power State C0."

OSPM performs processor throttling control by writing the Control field value for the target throttling state (T-state), retrieved from the Throttling Supported States object (\_TSS), to the Throttling Control Register (THROTTLE\_CTRL) defined by the \_PTC object. OSPM may select any processor throttling state indicated as available by the value returned by the \_TPC control method.

Success or failure of the processor throttling state transition is determined by reading the Throttling Status Register (THROTTLE\_STATUS) to determine the processor's current throttling state. If the transition was successful, the value read from THROTTLE\_STATUS will match the "Status" field in the \_TSS entry that corresponds to the targeted processor throttling state.

Arguments:

None

Return Value:

A **Package** as described below

**Return Value Information**

```
Package
{
    ControlRegister    // Buffer (Resource Descriptor)
    StatusRegister    // Buffer (Resource Descriptor)
}
```

**Table 8-3 \_PTC Package Values**

Element	Object Type	Description
Control Register	<b>Buffer</b>	Contains a Resource Descriptor with a single <b>Register()</b> descriptor that describes the throttling control register.
Status Register	<b>Buffer</b>	Contains a Resource Descriptor with a single <b>Register()</b> descriptor that describes the throttling status register.

The platform must expose a \_PTC object for either all or none of its processors. Notice that if the \_PTC object exists, the specified register is used instead of the P\_CNT register specified in the Processor term. Also notice that if the \_PTC object exists and the \_CST object does **not** exist, OSPM will use the processor control register from the \_PTC object and the P\_LVLx registers from the P\_BLK.



**Example**

This is an example usage of the `_PTC` object in a Processor object list:

```
Processor (
  \_SB.CPU0,      // Processor Name
  1,              // ACPI Processor number
  0x120,          // PBlk system IO address
  6 )            // PBlkLen
{ //Object List

  Name(_PTC, Package ()      // Processor Throttling Control object
  {
    ResourceTemplate(){Register(FFixedHW, 0, 0, 0)}, // Throttling_CTRL
    ResourceTemplate(){Register(FFixedHW, 0, 0, 0)} // Throttling_STATUS
  }) // End of _PTC object
} // End of Object List
```

**Example**

This is an example usage of the `_PTC` object using the values defined in ACPI 1.0. This is an illustrative example to demonstrate the mechanism with well-known values.

```
Processor (
  \_SB.CPU0, // Processor Name
  1,         // ACPI Processor number
  0x120,     // PBLK system IO address
  6 )       // PBLK Len
{ //Object List

  Name(_PTC, Package ()      // Processor Throttling Control object -
                                //32 bit wide IO space-based register at the <P_BLK> address
  {
    ResourceTemplate(){Register(SystemIO, 32, 0, 0x120)}, // Throttling_CTRL
    ResourceTemplate(){Register(SystemIO, 32, 0, 0x120)} // Throttling_STATUS
  }) // End of _PTC object
} // End of Object List
```

**8.4.3.2 \_TSS (Throttling Supported States)**

This optional object indicates to OSPM the number of supported processor throttling states that a platform supports. This object evaluates to a packaged list of information about available throttling states including percentage of maximum internal CPU core frequency, maximum power dissipation, control register values needed to transition between throttling states, and status register values that allow OSPM to verify throttling state transition status after any OS-initiated transition change request. The list is sorted in descending order by power dissipation. As a result, the zeroth entry describes the highest performance throttling state (no throttling applied) and the 'nth' entry describes the lowest performance throttling state (maximum throttling applied).

When providing the `_TSS`, the platform must supply a `_TSS` entry whose *Percent* field value is 100. This provides a means for OSPM to disable throttling and achieve maximum performance.

**Arguments:**

None

**Return Value:**

A variable-length **Package** containing a list of Tstate sub-packages as described below

**Return Value Information**

```
Package {
  TState [0]           // Package - Throttling state 0
  ...
  TState [n]           // Package - Throttling state n
}
```

Each Tstate sub-**Package** contains the elements described below:

```
Package {
    Percent          // Integer (DWORD)
    Power           // Integer (DWORD)
    Latency         // Integer (DWORD)
    Control         // Integer (DWORD)
    Status          // Integer (DWORD)
}
```

**Table 8-4 TState Package Values**

Element	Object Type	Description
Percent	<b>Integer</b> (DWORD)	Indicates the percent of the core CPU operating frequency that will be available when this throttling state is invoked. The range for this field is 1-100. This percentage applies independent of the processor's performance state (P-state). That is, this throttling state will invoke the percentage of maximum frequency indicated by this field as applied to the <i>CoreFrequency</i> field of the <i>_PSS</i> entry corresponding to the P-state for which the processor is currently resident.
Power	<b>Integer</b> (DWORD)	Indicates the throttling state's maximum power dissipation (in milliWatts). OSPM ignores this field on platforms that support P-states, which provide power dissipation information via the <i>_PSS</i> object.
Latency	<b>Integer</b> (DWORD)	Indicates the worst-case latency in microseconds that the CPU is unavailable during a transition from any throttling state to this throttling state.
Control	<b>Integer</b> (DWORD)	Indicates the value to be written to the Processor Control Register (THROTTLE_CTRL) in order to initiate a transition to this throttling state.
Status	<b>Integer</b> (DWORD)	Indicates the value that OSPM will compare to a value read from the Throttle Status Register (THROTTLE_STATUS) to ensure that the transition to the throttling state was successful. OSPM may always place the CPU in the lowest power throttling state, but additional states are only available when indicated by the <i>_TPC</i> control method. A value of zero indicates the transition to the Throttling state is asynchronous, and as such no status value comparison is required.

### 8.4.3.3 *\_TPC* (Throttling Present Capabilities)

This optional object is a method that dynamically indicates to OSPM the number of throttling states currently supported by the platform. This method returns a number that indicates the *\_TSS* entry number of the highest power throttling state that OSPM can use at a given time. OSPM may choose the corresponding state entry in the *\_TSS* as indicated by the value returned by the *\_TPC* method or any lower power (higher numbered) state entry in the *\_TSS*.

Arguments:

None

Return Value:

An **Integer** containing the number of states supported:

- 0 – states 0 ...  $n^{\text{th}}$  state available (all states available)
- 1 – state 1 ...  $n^{\text{th}}$  state available
- 2 – state 2 ...  $n^{\text{th}}$  state available
- ...
- $n$  – state  $n$  available only

In order to support dynamic changes of `_TPC` object, Notify events on the processor object of type 0x82 will cause OSPM to reevaluate any `_TPC` object in the processor's object list. This allows AML code to notify OSPM when the number of supported throttling states may have changed as a result of an asynchronous event. OSPM ignores `_TPC` Notify events on platforms that support P-states unless the platform has limited OSPM's use of P-states to the lowest power P-state. OSPM may choose to disregard any platform conveyed T-state limits when the platform enables OSPM usage of other than the lowest power P-state.

### 8.4.3.4 `_TSD` (T-State Dependency)

This optional object provides T-state control cross logical processor dependency information to OSPM. The `_TSD` object evaluates to a packaged list of information that correlates with the T-state information returned by the `_TSS` object. Each packaged list entry identifies a dependency domain number for the logical processor's T-states, the coordination type for that T-state, and the number of logical processors belonging to the domain.

Arguments:

None

Return Value:

A variable-length **Package** containing a list of T-state dependency **Packages** as described below.

**Return Value Information**

```
Package {
    TStateDependency[0]    // Package
    ...
    TStateDependency[n]    // Package
}
```

Each `TStateDependency` sub-**Package** contains the elements described below:

```
Package {
    NumEntries             // Integer
    Revision                // Integer (BYTE)
    Domain                 // Integer (DWORD)
    CoordType              // Integer (DWORD)
    NumProcessors          // Integer (DWORD)
}
```

**Table 8-5** `TStateDependency` Package Values

Element	Object Type	Description
NumEntries	<b>Integer</b>	The number of entries in the <code>TStateDependency</code> package including this field. Current value is 5.
Revision	<b>Integer</b> (BYTE)	The revision number of the <code>TStateDependency</code> package format. Current value is 0.
Domain	<b>Integer</b> (DWORD)	The dependency domain number to which this T state entry belongs.
CoordType	<b>Integer</b> (DWORD)	The type of coordination that exists (hardware) or is required (software) as a result of the underlying hardware dependency. Could be either 0xFC (SW_ALL), 0xFD (SW_ANY) or 0xFE (HW_ALL) indicating whether OSPM is responsible for coordinating the T-state transitions among processors with dependencies (and needs to initiate the transition on all or any processor in the domain) or whether the hardware will perform this coordination.

Element	Object Type	Description
Num Processors	<b>Integer</b> (DWORD)	The number of processors belonging to the domain for this logical processor's T-states. OSPM will not start performing power state transitions to a particular T-state until this number of processors belonging to the same domain have been detected and started.

### Example

This is an example usage of the `_TSD` structure in a Processor structure in the namespace. The example represents a two processor configuration with three T-states per processor. For all T-states, there exists dependence between the two processors, such that one processor transitioning to a particular T-state, causes the other processor to transition to the same T-state. OSPM will be required to coordinate the T-state transitions between the two processors and can initiate a transition on either processor to cause both to transition to the common target T-state.

```
Processor (
    \_SB.CPU0,      // Processor Name
    1,              // ACPI Processor number
    0x120,          // PBlk system IO address
    6)              // PBlkLen
{ //Object List

    Name(_PTC, Package () // Processor Throttling Control object -
        //32 bit wide IO space-based register at the <P_BLK> address
    {
        ResourceTemplate(){Register(SystemIO, 32, 0, 0x120)}, // Throttling_CTRL
        ResourceTemplate(){Register(SystemIO, 32, 0, 0x120)} // Throttling_STATUS
    }) // End of _PTC object

    Name (_TSS, Package())
    {
        Package() {
            0x64,      // Frequency Percentage (100%, Throttling OFF state)
            0x0,       // Power
            0x0,       // Transition Latency
            0x7,       // Control THT_EN:0 THTL_DTY:111
            0x0,       // Status
        }

        Package() {
            0x58,      // Frequency Percentage (87.5%)
            0x0,       // Power
            0x0,       // Transition Latency
            0xF,       // Control THT_EN:1 THTL_DTY:111
            0x0,       // Status
        }

        Package() {
            0x4B,      // Frequency Percentage (75%)
            0x0,       // Power
            0x0,       // Transition Latency
            0xE,       // Control THT_EN:1 THTL_DTY:110
            0x0,       // Status
        }
    }
})

Name (_TSD, Package())
{
    Package(){5, 0, 0, 0xFD, 2} // 5 entries, Revision 0, Domain 0,
    // OSPM Coordinate, 2 Procs
} // End of _TSD object
```

```

Method (_TPC, 0)      // Throttling Present Capabilities method
{
    If (\_SB.AC)
    {
        Return(0)      // All Throttle States are available for use.
    }
    Else
    {
        Return(2)      // Throttle States 0 an 1 won't be used.
    }
} // End of _TPC method
} // End of processor object list

Processor (
    \_SB.CPU1,      // Processor Name
    2,              // ACPI Processor number
    ,              // PBlk system IO address
    )              // PBlkLen
{ //Object List

    Name(_PTC, Package () // Processor Throttling Control object -
        // 32 bit wide IO space-based register at the
        // <P_BLK> address
    {
        ResourceTemplate(){Register(SystemIO, 32, 0, 0x120)}, // Throttling_CTRL
        ResourceTemplate(){Register(SystemIO, 32, 0, 0x120)} // Throttling_STATUS
    }) // End of _PTC object

    Name (_TSS, Package()
    {
        Package() {
            0x64,      // Frequency Percentage (100%, Throttling OFF state)
            0x0,      // Power
            0x0,      // Transition Latency
            0x7,      // Control THT_EN:0 THTL_DTY:111
            0x0,      // Status
        }

        Package() {
            0x58,      // Frequency Percentage (87.5%)
            0x0,      // Power
            0x0,      // Transition Latency
            0xF,      // Control THT_EN:1 THTL_DTY:111
            0x0,      // Status
        }

        Package() {
            0x4B,      // Frequency Percentage (75%)
            0x0,      // Power
            0x0,      // Transition Latency
            0xE,      // Control THT_EN:1 THTL_DTY:110
            0x0,      // Status
        }
    })

    Name (_TSD, Package()
    {
        Package(){5, 0, 0, 0xFD, 2} // 5 entries, Revision 0, Domain 0,
        // OSPM Coordinate, 2 Procs
    }) // End of _TSD object

```

```

Method (_TPC, 0)      // Throttling Present Capabilities method
{
    If (\_SB.AC)
    {
        Return(0)      // All Throttle States are available for use.
    }
    Else
    {
        Return(2)      // Throttle States 0 an 1 won't be used.
    }
} // End of _TPC method
} // End of processor object list

```

### 8.4.3.5 \_TDL (T-state Depth Limit)

This optional object evaluates to the \_TSS entry number of the lowest power throttling state that OSPM may use. \_TDL enables the platform to limit the amount of performance reduction that OSPM may invoke using processor throttling controls in an attempt to alleviate an adverse thermal condition. OSPM may choose the corresponding state entry in the \_TSS as indicated by the value returned by the \_TDL object or a higher performance (lower numbered) state entry in the \_TSS down to and including the \_TSS entry number returned by the \_TPC object or the first entry in the table (if \_TPC is not implemented). The value returned by the \_TDL object must be greater than or equal to the value returned by the \_TPC object or the corresponding value to the last entry in the \_TSS if \_TPC is not implemented. In the event of a conflict between the values returned by the evaluation of the \_TDL and \_TPC objects, OSPM gives precedence to the \_TPC object, limiting power consumption.

#### Arguments:

None

#### Return Value:

An **Integer** containing the Throttling Depth Limit \_TSS entry number:

- 0 – throttling disabled.
- 1 – state 1 is the lowest power T-state available.
- 2 – state 2 is the lowest power T-state available.
- ...
- n* – state *n* is the lowest power T-state available.

In order for the platform to dynamically indicate the limit of performance reduction that is available for OSPM use, Notify events on the processor object of type 0x82 will cause OSPM to reevaluate any \_TDL object in the processor's object list. This allows AML code to notify OSPM when the number of supported throttling states may have changed as a result of an asynchronous event. OSPM ignores \_TDL Notify events on platforms that support P-states unless the platform has limited OSPM's use of P-states to the lowest power P-state. OSPM may choose to disregard any platform conveyed T-state depth limits when the platform enables OSPM usage of other than the lowest power P-state.

## 8.4.4 Processor Performance Control

Processor performance control is implemented through three optional objects whose presence indicates to OSPM that the platform and CPU are capable of supporting multiple performance states. The platform must supply all three objects if processor performance control is implemented. The platform must expose processor performance control objects for either all or none of its processors. The processor performance control objects define the supported processor performance states, allow the processor to be placed in a specific performance state, and report the number of performance states currently available on the system.

In a multiprocessing environment, all CPUs must support the same number of performance states and each processor performance state must have identical performance and power-consumption parameters. Performance objects must be present under each processor object in the system for OSPM to utilize this feature.

Processor performance control objects include the '\_PCT' package, '\_PSS' package, and the '\_PPC' method as detailed below.

### 8.4.4.1 **\_PCT (Performance Control)**

This optional object declares an interface that allows OSPM to transition the processor into a performance state. OSPM performs processor performance transitions by writing the performance state-specific control value to a Performance Control Register (PERF\_CTRL).

OSPM may select a processor performance state as indicated by the performance state value returned by the `_PPC` method, or any lower power (higher numbered) state. The control value to write is contained in the corresponding `_PSS` entry's "Control" field.

Success or failure of the processor performance transition is determined by reading a Performance Status Register (PERF\_STATUS) to determine the processor's current performance state. If the transition was successful, the value read from PERF\_STATUS will match the "Status" field in the `_PSS` entry that corresponds to the desired processor performance state.

Arguments:

None

Return Value:

A **Package** as described below

**Return Value Information**

```
Package
{
    ControlRegister    // Buffer (Resource Descriptor)
    StatusRegister    // Buffer (Resource Descriptor)
}
```

**Table 8-6 `_PCT` Package Values**

Element	Object Type	Description
Control Register	<b>Buffer</b>	Contains a Resource Descriptor with a single <b>Register()</b> descriptor that describes the performance control register.
Status Register	<b>Buffer</b>	Contains a Resource Descriptor with a single <b>Register()</b> descriptor that describes the performance status register.

**Example**

```
Name (_PCT, Package())
{
    ResourceTemplate(){Perf_Ctrl_Register}, //Generic Register Descriptor
    ResourceTemplate(){Perf_Status_Register} //Generic Register Descriptor
}) // End of _PCT
```

### 8.4.4.2 **\_PSS (Performance Supported States)**

This optional object indicates to OSPM the number of supported processor performance states that any given system can support. This object evaluates to a packaged list of information about available performance states including internal CPU core frequency, typical power dissipation, control register values needed to transition between performance states, and status register values that allow OSPM to verify performance transition status after any OS-initiated transition change request. The list is sorted in descending order by typical power dissipation. As a result, the zeroth entry describes the highest performance state and the 'nth' entry describes the lowest performance state.

Arguments:

None

Return Value:

A variable-length **Package** containing a list of Pstate sub-packages as described below

**Return Value Information**

```
Package {
    PState [0]           // Package - Performance state 0
    ...
    PState [n]           // Package - Performance state n
}
```

Each Pstate sub-**Package** contains the elements described below:

```
Package {
    CoreFrequency         // Integer (DWORD)
    Power                 // Integer (DWORD)
    Latency               // Integer (DWORD)
    BusMasterLatency     // Integer (DWORD)
    Control               // Integer (DWORD)
    Status               // Integer (DWORD)
}
```

**Table 8-7 PState Package Values**

Element	Object Type	Description
Core Frequency	<b>Integer</b> (DWORD)	Indicates the core CPU operating frequency (in MHz).
Power	<b>Integer</b> (DWORD)	Indicates the performance state's maximum power dissipation (in milliwatts).
Latency	<b>Integer</b> (DWORD)	Indicates the worst-case latency in microseconds that the CPU is unavailable during a transition from any performance state to this performance state.
Bus Master Latency	<b>Integer</b> (DWORD)	Indicates the worst-case latency in microseconds that Bus Masters are prevented from accessing memory during a transition from any performance state to this performance state.
Control	<b>Integer</b> (DWORD)	Indicates the value to be written to the Performance Control Register (PERF_CTRL) in order to initiate a transition to the performance state.
Status	<b>Integer</b> (DWORD)	Indicates the value that OSPM will compare to a value read from the Performance Status Register (PERF_STATUS) to ensure that the transition to the performance state was successful. OSPM may always place the CPU in the lowest power state, but additional states are only available when indicated by the _PPC method.

**8.4.4.3 \_PPC (Performance Present Capabilities)**

This optional object is a method that dynamically indicates to OSPM the number of performance states currently supported by the platform. This method returns a number that indicates the \_PSS entry number of the highest performance state that OSPM can use at a given time. OSPM may choose the corresponding state entry in the \_PSS as indicated by the value returned by the \_PPC method or any lower power (higher numbered) state entry in the \_PSS.



Arguments:

None

Return Value:An **Integer** containing the range of states supported0 – States 0 through  $n^{\text{th}}$  state are available (all states available)1 – States 1 through  $n^{\text{th}}$  state are available2 – States 2 through  $n^{\text{th}}$  state are available

...

 $n$  – State  $n$  is available only

In order to support dynamic changes of `_PPC` object, Notify events on the processor object are allowed. Notify events of type 0x80 will cause OSPM to reevaluate any `_PPC` objects residing under the particular processor object notified. This allows AML code to notify OSPM when the number of supported states may have changed as a result of an asynchronous event (AC insertion/removal, docked, undocked, and so on).

**8.4.4.3.1 OSPM \_OST Evaluation**

When processing of the `_PPC` object evaluation completes, OSPM evaluates the `_OST` object, if present under the Processor device, to convey `_PPC` evaluation status to the platform. `_OST` arguments specific to `_PPC` evaluation are described below.

Arguments: (2)Arg0 – Source Event (**Integer**) : 0x80Arg1 – Status Code (**Integer**) : see belowReturn Value:

None

**Argument Information:**

Arg1 – Status Code

0: Success – OSPM is now using the performance states specified

1: Failure – OSPM has not changed the number of performance states in use.

**8.4.4.4 Processor Performance Control Example****Example**

This is an example of processor performance control objects in a processor object list.

In this example, a uniprocessor platform that has processor performance capabilities with support for three performance states as follows:

1. 500 MHz (8.2W) supported at any time
2. 600 MHz (14.9W) supported only when AC powered
3. 650 MHz (21.5W) supported only when docked

It takes no more than 500 microseconds to transition from one performance state to any other performance state.

During a performance transition, bus masters are unable to access memory for a maximum of 300 microseconds.

The `PERF_CTRL` and `PERF_STATUS` registers are implemented as Functional Fixed Hardware.

The following ASL objects are implemented within the system:

`\_SB.DOCK`: Evaluates to 1 if system is docked, zero otherwise.

`\_SB.AC`: Evaluates to 1 if AC is connected, zero otherwise.

```

Processor (
  \_SB.CPU0,      // Processor Name
  1,              // ACPI Processor number
  0x120,          // PBlk system IO address
  6 )            // PBlkLen
{
  Name(_PCT, Package () // Performance Control object
  {
    ResourceTemplate(){Register(FFixedHW, 0, 0, 0)}, // PERF_CTRL
    ResourceTemplate(){Register(FFixedHW, 0, 0, 0)} // PERF_STATUS
  }) // End of _PCT object

  Name (_PSS, Package()
  {
    Package(){650, 21500, 500, 300, 0x00, 0x08}, // Performance State zero (P0)
    Package(){600, 14900, 500, 300, 0x01, 0x05}, // Performance State one (P1)
    Package(){500, 8200, 500, 300, 0x02, 0x06} // Performance State two (P2)
  }) // End of _PSS object

  Method (_PPC, 0) // Performance Present Capabilities method
  {
    If (\_SB.DOCK)
    {
      Return(0) // All _PSS states available (650, 600, 500).
    }
    If (\_SB.AC)
    {
      Return(1) // States 1 and 2 available (600, 500).
    }
    Else
    {
      Return(2) // State 2 available (500)
    }
  } // End of _PPC method
} // End of processor object list

```

The platform will issue a **Notify**(\\_SB.CPU0, 0x80) to inform OSPM to re-evaluate this object when the number of available processor performance states changes.

#### 8.4.4.5 \_PSD (P-State Dependency)

This optional object provides P-state control cross logical processor dependency information to OSPM. The **\_PSD** object evaluates to a packaged list of information that correlates with the P-state information returned by the **\_PSS** object. Each packaged list entry identifies a dependency domain number for the logical processor's P-states, the coordination type for that P-state, and the number of logical processors belonging to the domain.

##### Arguments:

None

##### Return Value:

A variable-length **Package** containing a list of P-state dependency **Packages** as described below.

##### Return Value Information

```

Package {
  PStateDependency[0] // Package
  ...
  PStateDependency[n] // Package
}

```

Each PStateDependency sub-**Package** contains the elements described below:

```
Package {
    NumEntries           // Integer
    Revision             // Integer (BYTE)
    Domain               // Integer (DWORD)
    CoordType           // Integer (DWORD)
    NumProcessors       // Integer (DWORD)
}
```

**Table 8-8 PStateDependency Package Values**

Element	Object Type	Description
NumEntries	<b>Integer</b>	The number of entries in the <code>PStateDependency</code> package including this field. Current value is 5.
Revision	<b>Integer</b> (BYTE)	The revision number of the <code>PStateDependency</code> package format. Current value is 0.
Domain	<b>Integer</b> (DWORD)	The dependency domain number to which this P state entry belongs.
CoordType	<b>Integer</b> (DWORD)	The type of coordination that exists (hardware) or is required (software) as a result of the underlying hardware dependency. Could be either 0xFC (SW_ALL), 0xFD (SW_ANY) or 0xFE (HW_ALL) indicating whether OSPM is responsible for coordinating the P-state transitions among processors with dependencies (and needs to initiate the transition on all or any processor in the domain) or whether the hardware will perform this coordination.
Num Processors	<b>Integer</b> (DWORD)	The number of processors belonging to the domain for this logical processor's P-states. OSPM will not start performing power state transitions to a particular P-state until this number of processors belonging to the same domain have been detected and started.

### Example

This is an example usage of the `_PSD` structure in a Processor structure in the namespace. The example represents a two processor configuration with three performance states per processor. For all performance states, there exists dependence between the two processors, such that one processor transitioning to a particular performance state, causes the other processor to transition to the same performance state. OSPM will be required to coordinate the P-state transitions between the two processors and can initiate a transition on either processor to cause both to transition to the common target P-state.

```

Processor (
  \_SB.CPU0,      // Processor Name
  1,              // ACPI Processor number
  0x120,          // PBlk system IO address
  6 )            // PBlkLen
{
  Name(_PCT, Package () // Performance Control object
  {
    ResourceTemplate(){Register(FFixedHW, 0, 0, 0)}, // PERF_CTRL
    ResourceTemplate(){Register(FFixedHW, 0, 0, 0)} // PERF_STATUS
  }) // End of _PCT object

  Name (_PSS, Package()
  {
    Package(){650, 21500, 500, 300, 0x00, 0x08}, // Performance State zero (P0)
    Package(){600, 14900, 500, 300, 0x01, 0x05}, // Performance State one (P1)
    Package(){500, 8200, 500, 300, 0x02, 0x06} // Performance State two (P2)
  }) // End of _PSS object

  Method (_PPC, 0) // Performance Present Capabilities method
  {
  } // End of _PPC method

  Name (_PSD, Package()
  {
    Package(){5, 0, 0, 0xFD, 2} // 5 entries, Revision 0, Domain 0, OSPM
                                // Coordinate, Initiate on any Proc, 2 Procs
  }) // End of _PSD object
} // End of processor object list

Processor (
  \_SB.CPU1,      // Processor Name
  2,              // ACPI Processor number
  ,              // PBlk system IO address
  )            // PBlkLen
{
  Name(_PCT, Package () // Performance Control object
  {
    ResourceTemplate(){Register(FFixedHW, 0, 0, 0)}, // PERF_CTRL
    ResourceTemplate(){Register(FFixedHW, 0, 0, 0)} // PERF_STATUS
  }) // End of _PCT object

  Name (_PSS, Package()
  {
    Package(){650, 21500, 500, 300, 0x00, 0x08}, // Performance State zero (P0)
    Package(){600, 14900, 500, 300, 0x01, 0x05}, // Performance State one (P1)
    Package(){500, 8200, 500, 300, 0x02, 0x06} // Performance State two (P2)
  }) // End of _PSS object

  Method (_PPC, 0) // Performance Present Capabilities method
  {
  } // End of _PPC method

  Name (_PSD, Package()
  {
    Package(){5, 0, 0, 0xFD, 2} // 5 entries, Revision 0, Domain 0, OSPM
                                // Coordinate, Initiate on any Proc, 2 Procs
  }) // End of _PSD object
} // End of processor object list

```

#### 8.4.4.6 \_PDL (P-state Depth Limit)

This optional object evaluates to the \_PSS entry number of the lowest performance P-state that OSPM may use when performing passive thermal control. OSPM may choose the corresponding state entry in the \_PSS as indicated by the value returned by the \_PDL object or a higher performance (lower numbered) state entry in the \_PSS down to and including the \_PSS entry number returned by the \_PPC object or the first entry in the table (if \_PPC is not implemented). The value returned by the \_PDL object must be greater than or equal to the value returned by the \_PPC object or the corresponding value to the last entry in the

\_PSS if \_PPC is not implemented. In the event of a conflict between the values returned by the evaluation of the \_PDL and \_PPC objects, OSPM gives precedence to the \_PPC object, limiting power consumption.

Arguments:

None

Return Value:

An **Integer** containing the P-state Depth Limit \_PSS entry number:

- 0 – P0 is the only P-state available for OSPM use
- 1 – state 1 is the lowest power P-state available
- 2 – state 2 is the lowest power P-state available
- ...
- n* – state *n* is the lowest power P-state available

In order for the platform to dynamically indicate a change in the P-state depth limit, Notify events on the processor object of type 0x80 will cause OSPM to reevaluate any \_PDL object in the processor's object list. This allows AML code to notify OSPM when the number of supported performance states may have changed as a result of an asynchronous event.

### 8.4.5 \_PPE (Polling for Platform Errors)

This optional object, when present, is evaluated by OSPM to determine if the processor should be polled to retrieve corrected platform error information. This object augments /overrides information provided in the CPEP , if supplied. See section 5.2.17 “Corrected Platform Error Polling Table (CPEP)”.

Arguments:

None

Return Value:

An **Integer** containing the recommended polling interval in milliseconds.

- 0 – OSPM should not poll this processor.
- Other values – OSPM should poll this processor at <= the specified interval.

OSPM evaluates the \_PPE object during processor object initialization and Bus Check notification processing.

## 8.5 Processor Aggregator Device

The following section describes the definition and operation of the optional Processor Aggregator device. The Processor Aggregator Device provides a control point that enables the platform to perform specific processor configuration and control that applies to **all** processors in the platform.

The Plug and Play ID of the Processor Aggregator Device is ACPI000C.

**Table 8-9: Processor Aggregator Device Objects**

Object	Description
_PUR	Requests a number of logical processors to be placed in an idle state

### 8.5.1 Logical Processor Idling

In order to reduce the platform's power consumption, the platform may direct OSPM to remove a logical processor from the operating system scheduler's list of processors where non-processor affinitized work is dispatched. This capability is known as Logical Processor Idling and provides a means to reduce platform power consumption without undergoing processor ejection / insertion processing overhead. Interrupts directed to a logical processor and processor affinitized workloads will impede the effectiveness of logical processor idling in reducing power consumption as OSPM is not expected to retarget this work when a logical processor is idled.

### 8.5.1.1 **\_PUR (Processor Utilization Request)**

The `_PUR` object is an optional object that may be declared under the Processor Aggregator Device and provides a means for the platform to indicate to OSPM the number of logical processors to be idled. OSPM evaluates the `_PUR` object as a result of the processing of a Notify event on the Processor Aggregator device object of type 0x80.

**Arguments:**

None

**Return Value:**

A **Package** as described below.

**Return Value Information**

```
Package
{
    RevisionID           // Integer: Current value is 1
    NumProcessors       // Integer
}
```

The NumProcessors package element conveys the number of logical processors that the platform wants OSPM to idle. This number is an absolute value. OSPM increments or decrements the number of logical processors placed in the idle state to equal the NumProcessors value as possible. A NumProcessors value of zero causes OSPM to place all logical processor in the active state as possible.

OSPM uses internal logical processor to physical core and package topology knowledge to idle logical processors successively in an order that maximizes power reduction benefit from idling requests. For example, all SMT threads constituting logical processors on a single processing core should be idled to allow the core to enter a low power state before idling SMT threads constituting logical processors on another core.

#### 8.5.1.1.1 **OSPM \_OST Evaluation**

When processing of the `_PUR` object evaluation completes, OSPM evaluates the `_OST` object, if present under the Processor Aggregator device, to convey `_PUR` evaluation status to the platform. `_OST` arguments specific to `_PUR` evaluation are described below.

**Arguments: (3)**

Arg0 – Source Event (**Integer**) : 0x80  
 Arg1 – Status Code (**Integer**) : see below  
 Arg2 – Idled Procs (**Buffer**) : see below

**Return Value:**

None

**Argument Information:**

Arg1 – Status Code

0: success – OSPM idled the number of logical processors indicated by the value of Arg2  
 1: no action was performed

Arg2 – A 4-byte buffer that represents a DWORD that is the number of logical processors that are now idled)

The platform may request a number of logical processors to be idled that exceeds the available number of logical processors that can be idled from an OSPM context for the following reasons:

- The requested number is larger than the number of logical processors currently defined.
- Not all the defined logical processors were onlined by the OS (for example. for licensing reasons)
- Logical processors critical to OS function (for example, the BSP) cannot be idled.

## 9 ACPI-Defined Devices and Device Specific Objects

This section describes ACPI defined devices and device-specific objects. The system status indicator objects, declared under the `\_SI` scope in the ACPI Namespace, are also specified in this section.

### 9.1 `\_SI` System Indicators

ACPI provides an interface for a variety of simple and icon-style indicators on a system. All indicator controls are in the `\_SI` portion of the namespace. The following table lists all defined system indicators. (Notice that there are also per-device indicators specified for battery devices).

**Table 9-1 System Indicator Control Methods**

Object	Description
<code>_SST</code>	System status indicator
<code>_MSG</code>	Messages waiting indicator
<code>_BLT</code>	Battery Level Threshold

#### 9.1.1 `_SST` (System Status)

This optional object is a control method that OSPM invokes to set the system status indicator as desired.

Arguments: (1)

- Arg0 – An **Integer** containing the system status indicator identifier
- 0 – No system state indication. Indicator off
  - 1 – Working
  - 2 – Waking
  - 3 – Sleeping. Used to indicate system state S1, S2, or S3
  - 4 – Sleeping with context saved to non-volatile storage

Return Value:

None

#### 9.1.2 `_MSG` (Message)

This control method sets the system's message-waiting status indicator.

Arguments: (1)

- Arg0 – An **Integer** containing the number of waiting messages

Return Value:

None

#### 9.1.3 `_BLT` (Battery Level Threshold)

This optional control method is used by OSPM to indicate to the platform the user's preference for various battery level thresholds. This method allows platform battery indicators to be synchronized with OSPM provided battery notification levels. Note that if `_BLT` is implemented on a multi-battery system, it is required that the power unit for all batteries must be the same. See section 10.2 for more details on battery levels.

Arguments: (3)

- Arg0 – An **Integer** containing the preferred threshold for the battery warning level
- Arg1 – An **Integer** containing the preferred threshold for the battery low level
- Arg2 – An **Integer** containing the preferred threshold for the battery wake level

Return Value:

None

**Additional Information**

The battery warning level in the range 0x00000001 – 0x7FFFFFFF (in units of mWh or mAh, depending on the *Power Units* value) is the user’s preference for battery warning. If the level specified is less than the design capacity of warning, it may be ignored by the platform so that the platform can ensure a successful wake on low battery.

The battery low level in the range 0x00000001 – 0x7FFFFFFF (in units of mWh or mAh, depending on the *Power Units* value) is the user’s preference for battery low. If this level is less than the design capacity of low, it may be ignored by the platform.

The battery wake level in the range 0x00000001 – 0x7FFFFFFF (in units of mWh or mAh, depending on the *Power Units* value) is the user’s preference for battery wake. If this level is less than the platform’s current wake on low battery level, it may be ignored by the platform. If the platform does not support a configurable wake on low battery level, this may be ignored by the platform.

**9.2 Ambient Light Sensor Device**

The following section illustrates the operation and definition of the control method-based Ambient Light Sensor (ALS) device.

The ambient light sensor device can optionally support power management objects (e.g. *\_PS0*, *\_PS3*) to allow the OS to manage the device’s power consumption.

The Plug and Play ID of an ACPI control method ambient light sensor device is *ACPI0008*.

**Table 9-2: Control Method Ambient Light Sensor Device**

Object	Description
<i>_ALI</i>	The current ambient light illuminance reading in lux (lumen per square meter). [Required]
<i>_ALC</i>	The current ambient light color chromaticity reading, specified using x and y coordinates per the CIE Yxy color model. [Optional]
<i>_ALT</i>	The current ambient light color temperature reading in degrees Kelvin. [Optional]
<i>_ALR</i>	Returns a set of ambient light illuminance to display brightness mappings that can be used by an OS to calibrate its ambient light policy. [Required]
<i>_ALP</i>	Ambient light sensor polling frequency in tenths of seconds. [Optional]

**9.2.1 Overview**

This definition provides a standard interface by which the OS may query properties of the ambient light environment the system is currently operating in, as well as the ability to detect meaningful changes in these values when the environment changes. Two ambient light properties are currently supported by this interface: *illuminance* and *color*.

Ambient light illuminance readings are obtained via the *\_ALI* method. Illuminance readings indicate the amount of light incident upon (falling on) a specified surface area. Values are specified in *lux* (lumen per square meter) and give an indication of how “bright” the environment is. For example, an overcast day is roughly 1000 lux, a typical office environment 300-400 lux, and a dimly-lit conference room around 10 lux.

A possible use of ambient light illuminance data by the OS is to automatically adjust the brightness (or *luminance*) of the display device – e.g. increase display luminance in brightly-lit environments and decrease display luminance in dimly-lit environments. Note that Luminance is a measure of light radiated (reflected, transmitted, or emitted) by a surface, and is typically measured in *nits*. The *\_ALR* method provides a set of ambient light illuminance to display luminance mappings that can be used by an OS to calibrate its policy for a given platform configuration.



Ambient light color readings are obtained via the `_ALT` and/or `_ALC` methods. Two methods are defined to allow varying types/complexities of ambient light sensor hardware to be used. `_ALT` returns color temperature readings in degrees Kelvin. Color temperature values correlate a light source to a standard black body radiator and give an indication of the type of light source present in a given environment (e.g. daylight, fluorescent, incandescent). `ALC` returns color chromaticity readings per the CIE Yxy color model. Chromaticity x and y coordinates provide a more straightforward indication of ambient light color characteristics. Note that the CIE Yxy color model is defined by the International Commission on Illumination (abbreviated as CIE from its French title Commission Internationale de l'Eclairage) and is based on human perception instead of absolute color.

A possible use of ambient light color data by the OS is to automatically adjust the color of displayed images depending on the environment the images are being viewed in. This may be especially important for reflective/transflective displays where the type of ambient light may have a large impact on the colors perceived by the user.

### 9.2.2 `_ALI` (Ambient Light Illuminance)

This control method returns the current ambient light illuminance reading in lux (lumen per square meter). Expected values range from ~1 lux for a dark room, ~300 lux for a typical office environment, and 10,000+ lux for daytime outdoor environments – although readings may vary depending on the location of the sensor to the light source. Special values are reserved to indicate out of range conditions (see below).

#### Arguments:

None

#### Return Value:

An **Integer** containing the ambient light brightness in lux (lumens per square meter)

- 0 – The current reading is below the supported range or sensitivity of the sensor
- Ones (-1) – The current reading is above the supported range or sensitivity of the sensor
- Other values – The current ambient light brightness in lux (lumens per square meter)

### 9.2.3 `_ALT` (Ambient Light Temperature)

This optional control method returns the current ambient light color temperature reading in degrees Kelvin (°K). Lower color temperatures imply warmer light (emphasis on yellow and red); higher color temperatures imply a colder light (emphasis on blue). This value can be used to gauge various properties of the lighting environment – for example, the type of light source. Expected values range from ~1500°K for candlelight, ~3000°K for a 200-Watt incandescent bulb, and ~5500°K for full sunlight on a summer day – although readings may vary depending on the location of the sensor to the light source. Special values are reserved to indicate out of range conditions (see below).

#### Arguments:

None

#### Return Value:

An **Integer** containing the ambient light temperature in degrees Kelvin

- 0 – The current reading is below the supported range or sensitivity of the sensor
- Ones (-1) – The current reading is above the supported range or sensitivity of the sensor
- Other values – The current ambient light temperature in degrees Kelvin

### 9.2.4 `_ALC` (Ambient Light Color Chromaticity)

This optional control method returns the current ambient light color chromaticity readings per the CIE Yxy color model. The x and y (chromaticity) coordinates are specified using a fixed  $10^{-4}$  notation due to the lack of floating point values in ACPI. Valid values are within the range 0 (0x0000) through 1 (0x2710). A single 32-bit integer value is used, where the x coordinate is stored in the high word and the y coordinate in the low word. For example, the value 0x0C370CDA would be used to specify the white point for the CIE Standard Illuminant D65 (a standard representation of average daylight) with x = 0.3127 and y = 0.3290. Special values are reserved to indicate out of range conditions (see below).

Arguments:

None

Return Value:An **Integer** containing the ambient light temperature in degrees Kelvin

0 – The current reading is below the supported range or sensitivity of the sensor

Ones (-1) – The current reading is above the supported range or sensitivity of the sensor

Other values – The current ambient light color chromaticity x and y coordinate values, per the CIE Yxy color model

**9.2.5 \_ALR (Ambient Light Response)**

This object evaluates to a package of *ambient light illuminance* to *display luminance* mappings that can be used by an OS to calibrate its ambient light policy for a given sensor configuration. The OS can use this information to extrapolate an ALS response curve - noting that these values may be treated differently depending on the OS implementation but should be used in some form to calibrate ALS policy.

Arguments:

None

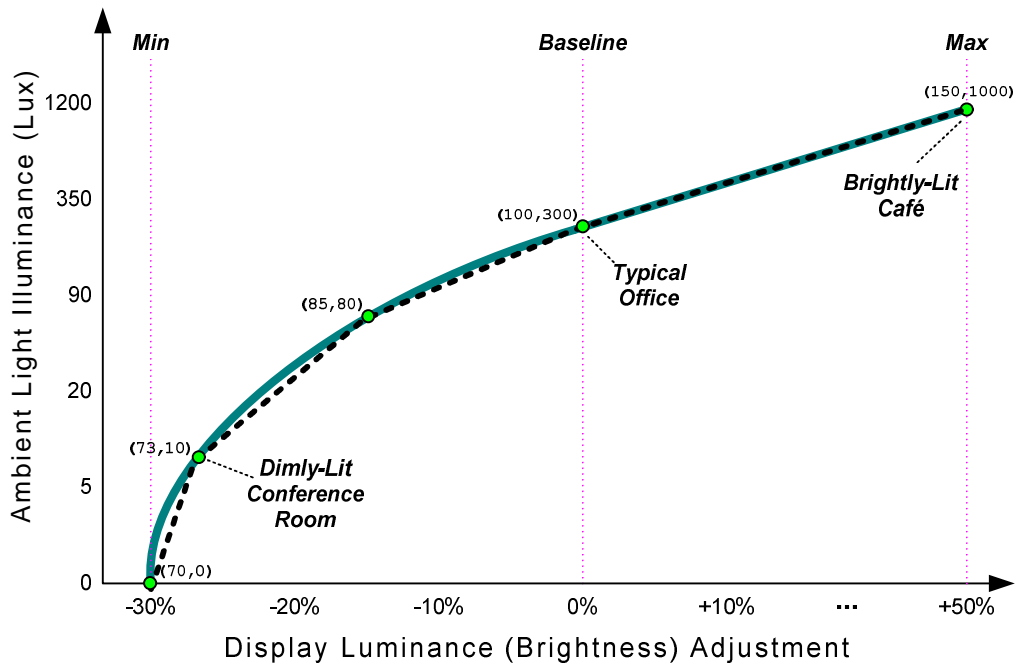
Return Value:A variable-length **Package** containing a list of luminance mapping **Packages**. Each mapping package consists of two **Integers**

The return data is specified as a package of packages, where each tuple (inner package) consists of the pair of **Integer** values of the form:

$$\{ \langle \text{display luminance adjustment} \rangle, \langle \text{ambient light illuminance} \rangle \}$$

Package elements should be listed in monotonically increasing order based upon the ambient light illuminance value (the Y-coordinate on the graph) to simplify parsing by the OS.

Ambient light illuminance values are specified in lux (lumens per square meter). Display luminance (or brightness) adjustment values are specified using relative percentages in order simplify the means by which these adjustments are applied in lieu of changes to the user's display brightness preference. A value of 100 is used to indicate no (0%) display brightness adjustment given the lack of signed data types in ACPI. Values less than 100 indicate a negative adjustment (dimming); values greater than 100 indicate a positive adjustment (brightening). For example, a display brightness adjustment value of 75 would be interpreted as a -25% adjustment, and a value of 110 as a +10% adjustment.



**Figure 9-1: A five-point ALS Response Curve**

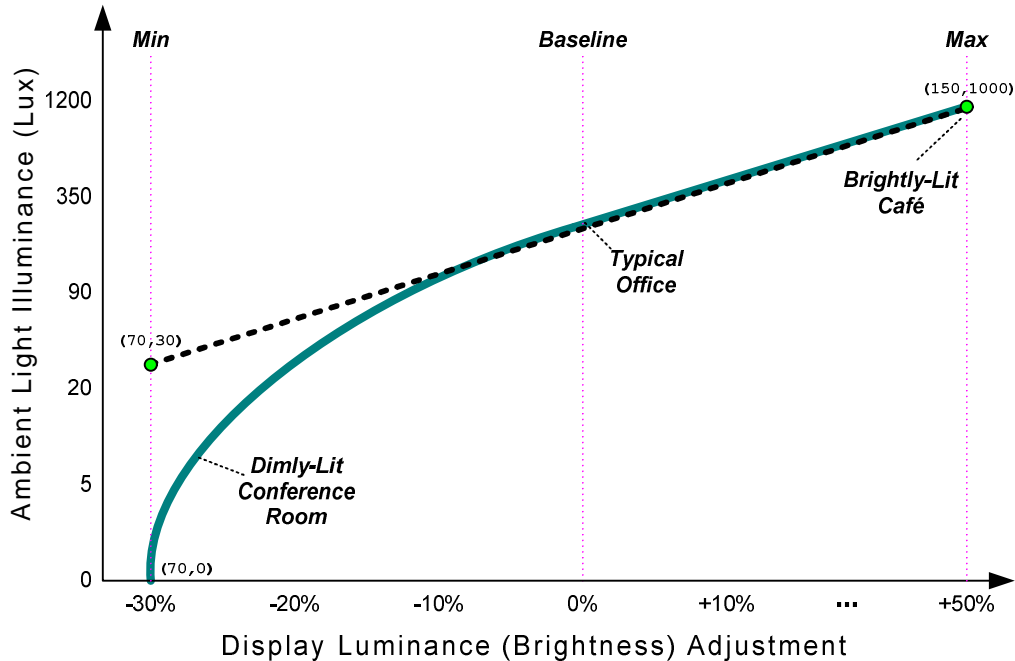
Figure 9-1 illustrates the use of five points to approximate an example response curve, where the dotted line represents an approximation of the desired response (solid curve). Extrapolation of the values between these points is OS-specific – although for the purposes of this example we'll assume a piecewise linear approximation. The ALS response curve (`_ALR`) would be specified as follows:

```
Name(_ALR, Package() {
    Package{70, 0},           // Min      ( -30% adjust at 0 lux)
    Package{73, 10},        //         ( -27% adjust at 10 lux)
    Package{85, 80},        //         ( -15% adjust at 80 lux)
    Package{100, 300},      // Baseline ( 0% adjust at 300 lux)
    Package{150, 1000}     // Max     (+50% adjust at 1000 lux)
})
```

Within this data set exist three points of particular interest: *baseline*, *min*, and *max*. The *baseline* value represents an ambient light illuminance value (in lux) for the environment where this system is most likely to be used. When the system is operating in this ambient environment the ALS policy will apply no (0%) adjustment to the default display brightness setting. For example, given a system with a 300 lux *baseline*, operating in a typical office ambient environment (~300 lux), configured with a default display brightness setting of 50% (e.g. 60 nits), the ALS policy would apply no backlight adjustment, resulting in an absolute display brightness setting of 60 nits.

*Min* and *max* are used to indicate cutoff points in order to prevent an over-zealous response by the ALS policy and to influence the policy's mode of operation. For example, the *min* and *max* points from the figure above would be specified as (70,0) and (150,1000) respectively – where *min* indicates a maximum negative adjustment of 30% and *max* represents a maximum positive adjustment of 50%. Using a large display brightness adjustment for *max* allows an ALS response that approaches a fully-bright display (100% absolute) in very bright ambient environments regardless of the user's display brightness preference. Using a small value for *max* (e.g. 0% @ 300 lux) would influence the ALS policy to limit the use of this technology solely as a power-saving feature (never brighten the display). Conversely, setting *min* to a 0% adjustment instructs ALS policy to brighten but never dim.

A minimum of two data points are required in the return package, interpreted as *min* and *max*. Note that the *baseline* value does not have to be explicitly stated; it can be derived from the response curve. Addition elements can be provided to fine-tune the response between these points. Figure 9-2 illustrates the use of two data points to achieve a response similar to (but simpler than) that described in Figure 9-1.



**Figure 9-2: A two-point ALS Response Curve**

This example lacks an explicit *baseline* and includes a *min* with an ambient light value above 0 lux. The *baseline* can easily be extrapolated by ALS Policy (e.g. 0% adjustment at ~400 lux). All ambient light brightness settings below *min* (20 lux) would be treated in a similar fashion by ALS policy (e.g. -30% adjustment). This two-point response curve would be modeled as:

```
Name(_ALR, Package() {
    Package{70, 30}, // Min      ( -30% adjust at 30 lux)
    Package{150, 1000} // Max     ( +50% adjust at 1000 lux)
})
```

This model can be used to convey a wide range of ambient light to display brightness responses. For example, a transfective display – a technology where illumination of the display can be achieved by reflecting available ambient light, but also augmented in dimly-lit environments with a backlight – could be modeled as illustrated in Figure 9-3.

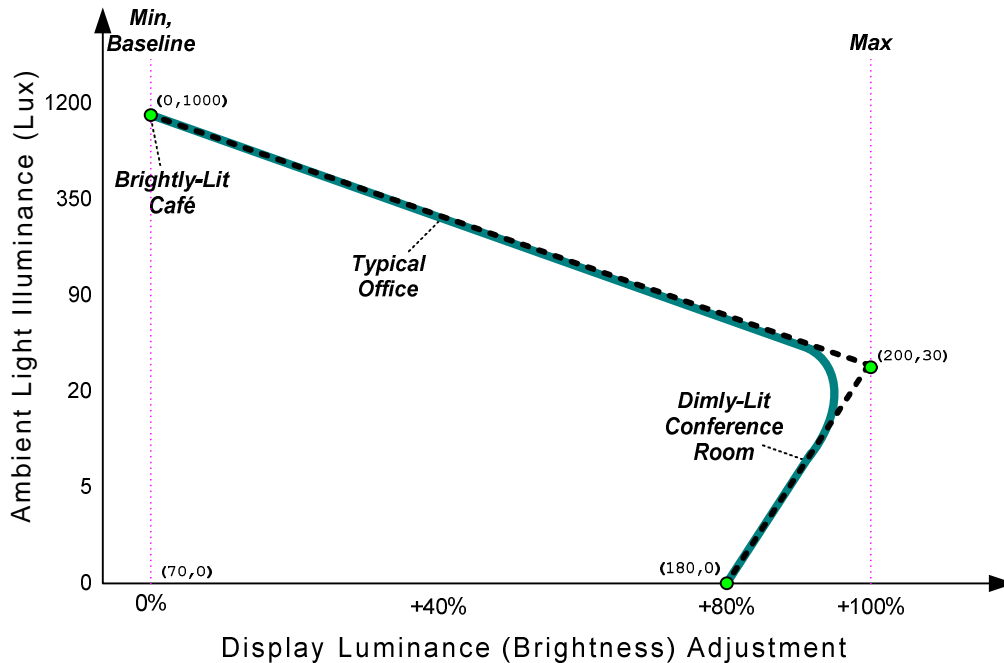


Figure 9-3: Example Response Curve for a Transflective Display

This three-point approximation would result in an ALS response that allows the backlight to increase as the ambient lighting decreases. In this example, no backlight adjustment is needed in bright environments (1000+ lux), maximum backlight may be needed in dim environments (~30 lux), but a lower backlight setting may be used in a very-dark room (~0 lux) – resulting in an elbow around 30 lux. This response would be modeled in `_ALR` as follows:

```
Name(_ALR, Package() {
    Package{180, 0}           ( +80% adjust at 0 lux)
    Package{200, 30},        // Max ( +100% adjust at 30 lux)
    Package{0, 1000},        // Min ( 0% adjust at 1,000 lux)
})
```

Note the ordering of package elements: monotonically increasing from the lowest ambient light value (0 lux) to the highest ambient light value (1000 lux).

The transflective display example also highlights the need for non-zero values for the user's display brightness preference – which we'll refer to as the *reference* display brightness value. This requirement is derived from the model's use of relative adjustments. For example, applying any adjustment to a 0% reference display brightness value always results in a 0% absolute display brightness setting. Likewise, using a very small reference display brightness (e.g. 5%) results in a muted response (e.g. +30% of 5% = 6.5% absolute). The solution is to apply a reasonably large value (e.g. 50%) as the reference display brightness setting – even in the case where no backlight is applied. This allows relative adjustments to be applied in a meaningful fashion while conveying to the user that the display is still usable (via reflected light) under typical ambient conditions.

The OS derives the user's display brightness preference (this *reference* value) either from the Brightness Control Levels (`_BCL`) object or another OS-specific mechanism. See section 9.2.8, "Relationship to Backlight Control Methods", for more information.

### 9.2.6 `_ALP` (Ambient Light Polling)

This optional object evaluates to a *recommended* polling frequency (in tenths of seconds) for this ambient light sensor. A value of zero – or the absence of this object when other ALS objects are defined – indicates that OSPM does not need to poll the sensor in order to detect meaningful changes in ambient light (the hardware is capable of generating asynchronous notifications).

The use of polling is allowed but strongly discouraged by this specification. OEMs should design systems that asynchronously notify OSPM whenever a meaningful change in the ambient light occurs—relieving the OS of the overhead associated with polling.

This value is specified as tenths of seconds. For example, a value of 10 would be used to indicate a 1 second polling frequency. As this is a *recommended* value, OSPM will consider other factors when determining the actual polling frequency to use.

#### Arguments:

None

#### Return Value:

An **Integer** containing the recommended polling frequency in tenths of seconds

0 – Polling by the host OS is not required

Other – The recommended polling frequency in tenths of seconds

### 9.2.7 Ambient Light Sensor Events

To communicate meaningful changes in ALS illuminance to OSPM, AML code should issue a **Notify**(*als\_device*, 0x80) whenever the lux reading changes more than 10% (from the last reading that resulted in a notification). OSPM receives this notification and evaluates the `_ALI` control method to determine the current ambient light status. The OS then adjusts the display brightness based upon its ALS policy (derived from `_ALR`).

The definition of what constitutes a *meaningful change* is left to the system integrator, but should be at a level of granularity that provides an appropriate response without overly taxing the system with unnecessary interrupts. For example, an ALS configuration may be tuned to generate events for all changes in ambient light illuminance that result in a minimum  $\pm 5\%$  display brightness response (as defined by `_ALR`).

To communicate meaningful changes in ALS color temperature to OSPM, AML code should issue a **Notify**(*als\_device*, 0x81) whenever the lux reading changes more than 10% (from the last reading that resulted in a notification). OSPM receives this notification and evaluates the `_ALT` and `_ALC` control method to determine the current ambient light color temperature.

To communicate meaningful changes in ALS response to OSPM, AML code should issue a **Notify**(*als\_device*, 0x82) whenever the set of points used to convey ambient light response has changed. OSPM receives this notification and evaluates the `_ALR` object to determine the current response points.

### 9.2.8 Relationship to Backlight Control Methods

The Brightness Control Levels (`_BCL`) method – described in section 0 – can be used to indicate user-selectable display brightness levels. The information provided by this method indicates the available display brightness settings, the recommended default brightness settings for AC and DC operation, and the absolute maximum and minimum brightness settings. These values indirectly influence the operation of the OSPM's ALS policy.

Display brightness adjustments produced by ALS policy are relative to the current user backlight setting, and the resulting absolute value must be mapped (rounded) to one of the levels specified in `_BCL`. This introduces the requirement for fine-grain display brightness control in order to achieve a responsive ALS system – which typically materializes as a need for additional entries in the `_BCL` list in order to provide reasonable resolution to the OS (e.g. 3-10% granularity). Note that user brightness controls (e.g. hotkeys) are not required to make use of all levels specified in `_BCL`.

### 9.3 Battery Device

A battery device is required to either have an ACPI Smart Battery Table or a Control Method Battery interface. In the case of an ACPI Smart Battery Table, the Definition Block needs to include a Bus/Device Package for the SMBus host controller. This will install an OS specific driver for the SMBus, which in turn will locate the Smart Battery System Manager or Smart Battery Selector and Smart Battery Charger SMBus devices.

The Control Method Battery interface is defined in section 10.2, “Control Method Batteries.”

### 9.4 Control Method Lid Device

Platforms containing lids convey lid status (open / closed) to OSPM using a Control Method Lid Device.

To implement a control method lid device, AML code should issue a `Notify(lid_device, 0x80)` for the device whenever the lid status has changed. The `_LID` control method for the lid device must be implemented to report the current state of the lid as either opened or closed.

The lid device can support `_PRW` and `_PSW` methods to select the wake functions for the lid when the lid transitions from closed to opened.

The Plug and Play ID of an ACPI control method lid device is `PNP0C0D`.

**Table 9-3 Control Method Lid Device**

Object	Description
<code>_LID</code>	Returns the current status of the lid.

#### 9.4.1 `_LID`

Evaluates to the current status of the lid.

Arguments:

None

Return Value:

An **Integer** containing the current lid status

0 – The lid is closed

Non-zero – The lid is open

### 9.5 Control Method Power and Sleep Button Devices

The system’s power or sleep button can either be implemented using the fixed register space as defined in section 4.7.2.2, “Buttons,” or implemented in AML code as a control method power button device. In either case, the power button override function or similar unconditional system power or reset functionality is still implemented in external hardware.

To implement a control method power-button or sleep-button device, implement AML code that delivers two types of notifications concerning the device. The first is `Notify(Object, 0x80)` to signal that the button was pressed while the system was in the S0 state to indicate that the user wants the machine to transition from S0 to some sleeping state. The other notification is `Notify(Object, 0x2)` to signal that the button was pressed while the system was in an S1 to S4 state and to cause the system to wake. When the button is used to wake the system, the wake notification (`Notify(Object, 0x2)`) must occur after OSPM actually wakes, and a button-pressed notification (`Notify(Object, 0x80)`) must not occur.

The Wake Notification indicates that the system is awake because the user pressed the button and therefore a complete system resume should occur (for example, turn on the display immediately, and so on).

## 9.6 Embedded Controller Device

Operation of the embedded controller host controller register interface requires that the embedded controller driver has ACPI-specific knowledge. Specifically, the driver needs to provide an “operational region” of its embedded controller address space, and needs to use a general-purpose event (GPE) to service the host controller interface. For more information about an ACPI-compatible embedded controller device, see section 12, “ACPI Embedded Controller Interface Specification.”

The embedded controller device object provides the `_HID` of an ACPI-integrated embedded controller device of PNP0C09 and the host controller register locations using the device standard methods. In addition, the embedded controller must be declared as a named device object that includes a set of control methods. For more information, see section 12.11, “Defining an Embedded Controller Device in ACPI Namespace”).

## 9.7 Generic Container Device

A generic container device is a bridge that does not require a special OS driver because the bridge does not provide or require any features not described within the normal ACPI device functions. The resources the bridge requires are specified via normal ACPI resource mechanisms. Device enumeration for child devices is supported via ACPI namespace device enumeration and OS drivers require no other features of the bus. Such a bridge device is identified with the Plug and Play ID of PNP0A05 or PNP0A06.

A generic bus bridge device is typically used for integrated bridges that have no other means of controlling them and that have a set of well-known devices behind them. For example, a portable computer can have a “generic bus bridge” known as an EIO bus that bridges to some number of Super-I/O devices. The bridged resources are likely to be positively decoded as either a function of the bridge or the integrated devices. In this example, a generic bus bridge device would be used to declare the bridge then child devices would be declared below the bridge; representing the integrated Super-I/O devices.

## 9.8 ATA Controller Devices

There are two types of ATA Controllers: IDE controllers (also known as ATA controllers) and Serial ATA (SATA) controllers. IDE controllers are those using the traditional IDE programming interface, and may support Parallel ATA (P-ATA) or SATA connections. SATA controllers may be designed to operate in emulation mode only, native mode only, or they may be designed to support both native and non-native SATA modes. Regardless of the mode supported, SATA controllers are designed to work solely with drives supporting the Serial ATA physical interface. As described below, SATA controllers are treated similarly but not identically to traditional IDE controllers.

Platforms that contain controllers that support native and non-native SATA modes must take steps to ensure the proper objects are placed in the namespace for the mode in which they are operating.



**Table 9-4 ATA Specific Objects**

Object	Description	Controller Type
_GTF	Optional object that returns the ATA task file needed to re-initialize the drive to boot up defaults.	Both
_GTM	Optional object that returns the IDE controller timing information.	IDE-only
_STM	Optional control method that sets the IDE controller's transfer timing settings.	IDE-only
_SDD	Optional control method that informs the platform of the type of device attached to a port.	SATA-only

## 9.8.1 Objects for Both ATA and SATA Controllers

### 9.8.1.1 \_GTF (Get Task File)

This optional object returns a buffer containing the ATA commands used to restore the drive to boot up defaults (that is, the state of the drive after POST). The returned buffer is an array with each element in the array consisting of seven 8-bit register values (56 bits) corresponding to ATA task registers 1F1 thru 1F7. Each entry in the array defines a command to the drive.

#### Arguments:

None

#### Return Value:

A **Buffer** containing a byte stream of ATA commands for the drive

This object may appear under SATA port device objects or under IDE channel objects.

ATA task file array definition:

- Seven register values for command 1  
Reg values: (1F1, 1F2, 1F3, 1F4, 1F5, 1F6, 1F7)
- Seven register values for command 2  
Reg values: (1F1, 1F2, 1F3, 1F4, 1F5, 1F6, 1F7)
- Seven register values for command 3  
Reg values: (1F1, 1F2, 1F3, 1F4, 1F5, 1F6, 1F7)

Etc.

After powering up the drive, OSPM will send these commands to the drive, in the order specified. On SATA HBAs, OSPM evaluates \_SDD before evaluating \_GTF. The IDE driver may modify some of the feature commands or append its own to better tune the drive for OSPM features before sending the commands to the drive.

This Control Method is listed under each drive device object. OSPM must evaluate the \_STM object or the \_SDD object before evaluating the \_GTF object.

Example of the return from \_GTF:

```
Method(_GTF, 0x0, NotSerialized)
{
    Return(GTF0)
}
Name(GTF0, Buffer(0x1c)
{
    0x03, 0x00, 0x00, 0x00, 0x00, 0xa0, 0xef, 0x03, 0x00, 0x00, 0x00, 0x00,
    0xa0, 0xef, 0x00, 0x10, 0x00, 0x00, 0x00, 0xa0, 0xc6, 0x00, 0x00, 0x00,
    0x00, 0x00, 0xa0, 0x91
})
```

## 9.8.2 IDE Controller Device

Most device drivers can save and restore the registers of their device. For IDE controllers and drives, this is not true because there are several drive settings for which ATA does not provide mechanisms to read. Further, there is no industry standard for setting timing information for IDE controllers. Because of this, ACPI interface mechanisms are necessary to provide the operating system information about the current settings for the drive and channel, and for setting the timing for the channel.

OSPM and the IDE driver will follow these steps when powering off the IDE subsystem:

1. The IDE driver will call the `_GTM` control method to get the current transfer timing settings for the IDE channel. This includes information about DMA and PIO modes.
2. The IDE driver will call the standard OS services to power down the drives and channel.
3. As a result, OSPM will execute the appropriate `_PS3` methods and turn off unneeded power resources.

To power on the IDE subsystem, OSPM and the IDE driver will follow these steps:

1. The IDE driver will call the standard OS services to turn on the drives and channel.
2. As a result, OSPM will execute the appropriate `_PS0` methods and turn on required power resources.
3. The IDE driver will call the `_STM` control method passing in transfer timing settings for the channel, as well as the ATA drive ID block for each drive on the channel. The `_STM` control method will configure the IDE channel based on this information.
4. For each drive on the IDE channel, the IDE driver will run the `_GTF` to determine the ATA commands required to reinitialize each drive to boot up defaults.
5. The IDE driver will finish initializing the drives by sending these ATA commands to the drives, possibly modifying or adding commands to suit the features supported by the operating system.

The following shows the namespace for these objects:

```

\_SB                                // System bus
  PCI0                              // PCI bus
    IDE1                             // First IDE channel
      _ADR                          // Indicates address of the channel on the PCI bus
      _GTM                          // Control method to get current IDE channel settings
      _STM                          // Control method to set current IDE channel settings
      _PR0                          // Power resources needed for D0 power state
      DRV1                          // Drive 0
        _ADR                        // Indicates address of master IDE device
        _GTF                       // Control method to get task file
      DRV2                          // Drive 1
        - _ADR                     // Indicates address of slave IDE device
        - _GTF                     // Control method to get task file
    IDE2                             // Second IDE channel
      _ADR                          // Indicates address of the channel on the PCI bus
      _GTM                          // Control method to get current IDE channel settings
      _STM                          // Control method to set current IDE channel settings
      _PR0                          // Power resources needed for D0 power state
      DRV1                          // Drive 0
        _ADR                        // Indicates address of master IDE device
        _GTF                       // Control method to get task file
      DRV2                          // Drive 1
        _ADR                        // Indicates address of slave IDE device
        _GTF                       // Control method to get task file

```

The sequential order of operations is as follows:

**Powering down:**

- Call `_GTM`.
- Power down drive (calls `_PS3` method and turns off power planes).

**Powering up:**

- Power up drive (calls `_PS0` method if present and turns on power planes).
- Call `_STM` passing info from `_GTM` (possibly modified), with ID data from each drive.
- Initialize the channel.
- May modify the results of `_GTF`.
- For each drive:
  - Call `_GTF`.
  - Execute task file (possibly modified).

## 9.8.2.1 IDE Controller-specific Objects

### 9.8.2.1.1 `_GTM` (Get Timing Mode)

This Control Method exists under each channel device object and returns the current settings for the IDE channel.

Arguments:

None

Return Value:

A **Buffer** containing the current IDE channel timing information block as described in table 9-5 below.

`_GTM` returns a buffer with the following format

```
Buffer () {
    PIO Speed 0           //DWORD
    DMA Speed 0          //DWORD
    PIO Speed 1          //DWORD
    DMA Speed 1          //DWORD
    Flags                //DWORD
}
```

**Table 9-5 `_GTM` Method Result Codes**

Field	Format	Description
PIO Speed 0	DWORD	The PIO bus-cycle timing for drive 0 in nanoseconds. 0xFFFFFFFF indicates that this mode is not supported by the channel. If the chipset cannot set timing parameters independently for each drive, this field represents the timing for both drives.
DMA Speed 0	DWORD	The DMA bus-cycle for drive 0 timing in nanoseconds. If Bit 0 of the Flags register is set, this DMA timing is for UltraDMA mode, otherwise the timing is for multi-word DMA mode. 0xFFFFFFFF indicates that this mode is not supported by the channel. If the chipset cannot set timing parameters independently for each drive, this field represents the timing for both drives.
PIO Speed 1	DWORD	The PIO bus-cycle timing for drive 1 in nanoseconds. 0xFFFFFFFF indicates that this mode is not supported by the channel. If the chipset cannot set timing parameters independently for each drive, this field must be 0xFFFFFFFF.

Field	Format	Description
DMA Speed 1	DWORD	The DMA bus-cycle timing for drive 1 in nanoseconds. If Bit 0 of the Flags register is set, this DMA timing is for UltraDMA mode, otherwise the timing is for multi-word DMA mode. 0xFFFFFFFF indicates that this mode is not supported by the channel. If the chipset cannot set timing parameters independently for each drive, this field must be 0xFFFFFFFF.
Flags	DWORD	Mode flags Bit[0]: 1 indicates using UltraDMA on drive 0 Bit[1]: 1 indicates IOChannelReady is used on drive 0 Bit[2]: 1 indicates using UltraDMA on drive 1 Bit[3]: 1 indicates IOChannelReady is used on drive 1 Bit[4]: 1 indicates chipset can set timing independently for each drive Bits[5-31]: reserved (must be 0)

### 9.8.2.1.2 **\_STM (Set Timing Mode)**

This Control Method sets the IDE channel's transfer timings to the setting requested. The AML code is required to convert and set the nanoseconds timing to the appropriate transfer mode settings for the IDE controller. **\_STM** may also make adjustments so that **\_GTF** control methods return the correct commands for the current channel settings.

This control method takes three arguments: Channel timing information (as described in Table 9-6), and the ATA drive ID block for each drive on the channel. The channel timing information is not guaranteed to be the same values as returned by **\_GTM**; the OS may tune these values as needed.

#### Arguments: (3)

- Arg0 – A **Buffer** containing a channel timing information block (described in Table 9-6)
- Arg1 – A **Buffer** containing the ATA drive ID block for channel 0
- Arg2 – A **Buffer** containing the ATA drive ID block for channel 1

#### Return Value:

None

The ATA drive ID block is the raw data returned by the Identify Drive ATA command, which has the command code "0ECh." The **\_STM** control method is responsible for correcting for drives that misreport their timing information.

## 9.8.3 Serial ATA (SATA) Controller Device

### 9.8.3.1 Definitions

**HBA** – Host Bus Adapter

**Native SATA aware** – Refers to system software (BIOS, option ROM, operating system, etc) that comprehends a particular SATA HBA implementation and understands its programming interface and power management behavior.

**Non-native SATA aware** – Refers to system software (BIOS, option ROM, operating system, etc) that does not comprehend a particular SATA HBA implementation and does not understand its programming interface or power management behavior. Typically, non-native SATA aware software will use a SATA HBA's emulation interface (e.g. task file registers) to control the HBA and access its devices.

**Emulation mode** – Optional mode supported by a SATA HBA. Allows non-native SATA aware software to access SATA devices via traditional task file registers.

**Native mode** – Optional mode supported by a SATA HBA. Allows native SATA aware software to access SATA devices via registers that are specific to the HBA.

**Hybrid Device** – Refers to a SATA HBA that implements both an emulation and a native programming interface.

### 9.8.3.2 Overview

A SATA HBA differs from an IDE controller in a number of ways. First, it can save its complete device context. Second, it replaces IDE channels, which may support up to 2 attached devices, with ports, which support only a single attached device, unless a port multiplier is present. See the SATA spec (<http://www.serialata.org/collateral/index.shtml>) for more information. Finally, SATA does not require timing information from the platform, allowing a simplification in how SATA controllers are represented in ACPI. (`_GTM` and `_STM` are replaced by the simpler `_SDD` method.)

All ports, even those attached off a port multiplier, are represented as children directly under the SATA controller device. This is practical because the SATA specification does not allow a port multiplier to be attached to a port multiplier. Each port's `_ADR` indicates to which root port they are connected, as well as the port multiplier location, if applicable. (See Table 6-2 for `_ADR` format.)

Since this specification only covers the configuration of motherboard devices, it is also the case that the control methods defined in this section cannot be used to send taskfiles to devices attached via either an add-in SATA HBA, or attached via a motherboard SATA HBA, if used with a port multiplier that is not also on the motherboard.

The following shows an example SATA namespace:

```

\_SB
  PCI0
    SATA
      ADR
      PRO
      PRT0
        _ADR
        _SDD
        _GTF
      PRTn
        _ADR
        _SDD
        _GTF

```

- System bus
- PCI bus
- SATA Controller device
- Indicates address of the controller on the PCI bus
- Power resources needed for D0 power state
- Port 0 device
- Indicates physical port and port multiplier topology
- Identify information for drive attached to this port
- Control method to get task file
- Port n device
- Indicates physical port and port multiplier topology
- Identify information for drive attached to this port
- Control method to get task file

### 9.8.3.3 SATA controller-specific control methods

In order to ensure proper interaction between OSPM, the firmware, and devices attached to the SATA controller, it is a requirement that OSPM execute the `_SDD` and `_GTF` control methods when certain events occur. OSPM's response to events must be as follows:

**COMRESET, Initial OS load, device insertion, HBA D3 to D0 transition, asynchronous loss of signal:**

1. OSPM sends IDENTIFY DEVICE or IDENTIFY PACKET DEVICE command to the attached device.
2. OS executes `_SDD`. `_SDD` control method requires 1 argument that consists of the data block received from an attached device as a result of a host issued IDENTIFY DEVICE or IDENTIFY PACKET DEVICE command.
3. After the `_SDD` method completes, the OS executes the `_GTF` method. Using the task file information provided by `_GTF`, the OS then sends the `_GTF` taskfiles to the attached device.

**Device removal and HBA D0 to D3 transition:**

1. No OSPM action required.

### 9.8.3.3.1 **\_SDD (Set Device Data)**

This optional object is a control method that conveys to the platform the type of device connected to the port. The `_SDD` object may exist under a SATA port device object. The platform typically uses the information conveyed by the `_SDD` object to construct the values returned by the `_GTF` object.

OSPM conveys to the platform the ATA drive ID block, which is the raw data returned by the Identify (Packet) Device, ATA command (command code “0ech.”). Please see the ATA/ATAPI-6 specification for more details.

Arguments: (1)

Arg0 – A **Buffer** containing an ATA drive identify block, contents described by the ATA specification

Return Value:

None

## 9.9 Floppy Controller Device Objects

### 9.9.1 **\_FDE (Floppy Disk Enumerate)**

Enumerating devices attached to a floppy disk controller is a time-consuming function. In order to speed up the process of floppy enumeration, ACPI defines an optional enumeration object that is defined directly under the device object for the floppy disk controller. It returns a buffer of five 32-bit values. The first four values are Boolean values indicating the presence or absence of the four floppy drives that are potentially attached to the controller. A non-zero value indicates that the floppy device is present. The fifth value returned indicates the presence or absence of a tape controller. Definitions of the tape presence value can be found in Table 9-6.

Arguments:

None

Return Value:

A **Buffer** containing a floppy drive information block, as described below

```
Buffer () {
    Floppy 0           // Boolean DWORD
    Floppy 1           // Boolean DWORD
    Floppy 2           // Boolean DWORD
    Floppy 3           // Boolean DWORD
    Tape               // DWORD - See table below
}
```

**Table 9-6 Tape Presence**

Value	Description
0	Device presence is unknown or unavailable
1	Device is present
2	Device is never present
>2	<i>Reserved</i>

## 9.9.2 \_FDI (Floppy Disk Information)

This object returns information about a floppy disk drive. This information is the same as that returned by the INT 13 Function 08H on IA-PCs.

### Arguments:

None

### Return Value:

A **Package** containing the floppy disk information as a list of **Integers**

```
Package {
  Drive Number           // Integer (BYTE)
  Device Type           // Integer (BYTE)
  Maximum Cylinder Number // Integer (WORD)
  Maximum Sector Number // Integer (WORD)
  Maximum Head Number   // Integer (WORD)
  disk_specify_1        // Integer (BYTE)
  disk_specify_2        // Integer (BYTE)
  disk_motor_wait       // Integer (BYTE)
  disk_sector_siz       // Integer (BYTE)
  disk_eot              // Integer (BYTE)
  disk_rw_gap           // Integer (BYTE)
  disk_dtl              // Integer (BYTE)
  disk_fmt_gap          // Integer (BYTE)
  disk_fill             // Integer (BYTE)
  disk_head_sttl        // Integer (BYTE)
  disk_motor_strt       // Integer (BYTE)
}
```

**Table 9-7 ACPI Floppy Drive Information**

Package Element	Element Object Type	Actual Valid Data Width
00 – Drive Number	<b>Integer</b>	BYTE
01 – Device Type	<b>Integer</b>	BYTE
02 – Maximum Cylinder Number	<b>Integer</b>	WORD
03 – Maximum Sector Number	<b>Integer</b>	WORD
04 – Maximum Head Number	<b>Integer</b>	WORD
05 – Disk_specify_1	<b>Integer</b>	BYTE
06 – Disk_specify_2	<b>Integer</b>	BYTE
07 – Disk_motor_wait	<b>Integer</b>	BYTE
08 – Disk_sector_siz	<b>Integer</b>	BYTE
09 – Disk_eot	<b>Integer</b>	BYTE
10 – Disk_rw_gap	<b>Integer</b>	BYTE
11 – Disk_dtl	<b>Integer</b>	BYTE
12 – Disk_fmt_gap	<b>Integer</b>	BYTE
13 – Disk_fill	<b>Integer</b>	BYTE
14 – Disk_head_sttl	<b>Integer</b>	BYTE
15 – Disk_motor_strt	<b>Integer</b>	BYTE

### 9.9.3 \_FDM (Floppy Disk Drive Mode)

This control method switches the mode (300 RPM or 360 RPM) of all floppy disk drives attached to this controller. If this control method is implemented, the platform must reset the mode of all drives to 300RPM mode after a Dx to D0 transition of the controller.

#### Arguments: (1)

- Arg0 – An **Integer** containing the new drive mode
  - 0 – Set the mode of all drives to 300 RPM mode
  - 1 – Set the mode of all drives to 360 RPM mode

#### Return Value:

None

## 9.10 GPE Block Device

The GPE Block device is an optional device that allows a system designer to describe GPE blocks beyond the two that are described in the FADT. Control methods associated with the GPE pins of GPE block devices exist as children of the GPE Block device, not within the \_GPE namespace.

A GPE Block device consumes I/O or memory address space, as specified by its \_PRS or \_CRS child objects. The interrupt vector used by the GPE block does not need to be the same as the SCI\_INT field. The interrupt used by the GPE block device is specified in the \_CRS and \_PRS methods associated with the GPE block. The \_CRS of a GPE Block device may only specify a single register address range, either I/O or memory. This range contains two registers: the GPE status and enable registers. Each register's length is defined as half of the length of the \_CRS-defined register address range.

A GPE Block device must have a \_HID or a \_CID of "ACPI0006."

**Note:** A system designer must describe the GPE block necessary to bootstrap the system in the FADT as a GPE0/GPE1 block. GPE Block devices cannot be used to implement these GPE inputs.

A GPE Block Device must contain the \_Lxx, \_Exx, \_Wxx, \_CRS, \_PRS, and \_SRS methods required to use and program that block.

To represent the GPE block associated with the FADT, the system designer should include in the namespace a Device object with the ACPI0006 \_HID that contains **no** \_CRS, \_PRS, \_SRS, \_Lxx, \_Exx, or \_Wxx methods. OSPM assumes that the first such ACPI0006 device is the GPE Block Device that is associated with the FADT GPEs. (See the example below)

```
// ASL example of a standard GPE block device
Device(\_SB.PCI0.GPE1) {
    Name(_HID, "ACPI0006")
    Name(_UID, 2)
    Name(_CRS, Buffer () {
        IO(Decode16, FC00, FC03, 4, 4,)
        IRQ( Level, ActiveHigh, Shared,) { 5 }
    })

    Method(_L02) { ... }
    Method(_E07) { ... }
    Method(_W04) { ... }
}

// ASL example of a GPE block device that refers to the FADT GPEs.
// Cannot contain any _Lxx, _Exx, _Wxx, _CRS, _PRS, or. _SRS methods.
Device(\_SB.PCI0.GPE0) {
    Name(_HID, "ACPI0006")
    Name(_UID, 1)
}
```

Notice that it is legal to replace the I/O descriptors with Memory descriptors if the register is memory mapped.



If the system must run any GPEs to bootstrap the system (for example, when Embedded Controller events are required), the associated block of GPEs must be described in the FADT. This register block is not relocatable and will always be available for the life of the operating system boot.

A GPE block associated with the ACPI0006 \_HID can be stopped, ejected, reprogrammed, and so on. The system can also have multiple such GPE blocks.

### 9.10.1 Matching Control Methods for General-Purpose Events in a GPE Block Device

When a GPE Device raises an interrupt, OSPM executes a corresponding control method (as described in section 5.5.4.1.1, “Queuing the Matching Control Method for Execution”). These control methods (of the form \_Lxx, \_Exx, and \_Wxx) for GPE Devices are not within the \\_GPE namespace. They are children of the GPE Block device.

For example:

```
Device(GPE5) {
    Name(_HID, "ACPI0006")

    Method(_L02) { ... }
    Method(_E07) { ... }
    Method(_W04) { ... }
}
```

### 9.11 Module Device

This optional device is a container object that acts as a bus node in a namespace. It may contain child objects that are devices or buses. The module device is declared using the ACPI0004 hardware identifier (HID).

If the module device contains a \_CRS object, the “bus” described by this object is assumed to have these resources available for consumption by its child devices. If a \_CRS object is present, any resources not produced in the module device’s \_CRS object may not be allocated to child devices.

Providing a \_CRS object is undesirable in some module devices. For example, consider a module device used to describe an add-in board containing multiple host bridges without any shared resource decoding logic. In this case the resource ranges available to the host bridges are not controlled by any entity residing on the add-in board, implying that a \_CRS object in the associated module device would not describe any real feature of the underlying hardware. A \_CRS object must exist with a module device if the device contains PCI host bridge devices (See section 9.12.1 “Describing PCI Bus and Segment Group Numbers under Module Devices”).

To account for cases like this, the system designer may optionally omit the module device’s \_CRS object. If no \_CRS object is present, OSPM will assume that the module device is a simple container object that does not produce the resources consumed by its child devices. In this case, OSPM will assign resources to the child devices as if they were direct children of the module device’s parent object.

For an example with a module device \_CRS object present, consider a Module Device containing three child memory devices. If the \_CRS object for the Module Device contains memory from 2 GB through 6 GB, then the child memory devices may only be assigned addresses within this range.

**Example:**

```

Device (\_SB.NOD0) {
    Name (_HID, "ACPI0004") // Module device
    Name (_UID, 0)
    Name (_PRS, ResourceTemplate() {
        WordIO (
            ResourceProducer,
            MinFixed, // _MIF
            MaxFixed,,, // _MAF
            0x0000, // _GRA
            0x0000, // _MIN
            0x7FFF, // _MAX
            0x0, // _TRA
            0x8000) // _LEN
        DWordMemory (
            ResourceProducer,, // For Main Memory + PCI
            MinNotFixed, // _MIF
            MaxNotFixed, // _MAF
            Cacheable, // _MEM
            ReadWrite, // _RW
            0xFFFFFFFF, // _GRA
            0x40000000, // _MIN
            0x7FFFFFFF, // _MAX
            0x0, // _TRA
            0x00000000) // _LEN
    })
    Method (_SRS, 1) { ... }
    Method (_CRS, 0) { ... }

Device (MEM0) { // Main Memory (256MB module)
    Name (_HID, EISAID("PNP0C80"))
    Name (_UID, 0)
    Method (_STA, 0) { // If memory not present --> Return(0x00)
                        // Else if memory is disabled --> Return(0x0D)
                        // Else --> Return(0x0F)
    }
    Name (_PRS, ResourceTemplate () {
        DWordMemory (,,,,
            Cacheable, // _MEM
            ReadWrite, // _RW
            0xFFFFFFFF, // _GRA
            0x40000000, // _MIN
            0x7FFFFFFF, // _MAX
            0x0, // _TRA
            0x10000000) // _LEN
    })
    Method (_CRS, 0) { ... }
    Method (_SRS, 1) { ... }
    Method (_DIS, 0) { ... }
}

Device (MEM1) { // Main Memory (512MB module)
    Name (_HID, EISAID("PNP0C80"))
    Name (_UID, 1)
    Method (_STA, 0) { // If memory not present --> Return(0x00)
                        // Else if memory is disabled --> Return(0x0D)
                        // Else --> Return(0x0F)
    }
    Name (_PRS, ResourceTemplate () {
        DWordMemory (,,,,
            Cacheable, // _MEM
            ReadWrite, // _RW
            0xFFFFFFFF, // _GRA
            0x40000000, // _MIN
            0x7FFFFFFF, // _MAX
            0x0, // _TRA
            0x20000000) // _LEN
    })
    Method (_CRS, 0) { ... }
}

```

```

        Method (_SRS, 1) { ... }
        Method (_DIS, 0) { ... }
    }
Device (PCI0) { // PCI Root Bridge
    Name (_HID, EISAID("PNP0A03"))
    Name (_UID, 0)
    Name (_BBN, 0x00)
    Name (_PRS, ResourceTemplate () {
        WordBusNumber (
            ResourceProducer,
            MinFixed, // _MIF
            MaxFixed,, // _MAF
            0x00, // _GRA
            0x00, // _MIN
            0x7F, // _MAX
            0x0, // _TRA
            0x80) // _LEN
        WordIO (
            ResourceProducer,
            MinFixed, // _MIF
            MaxFixed,,, // _MAF
            0x0000, // _GRA
            0x0000, // _MIN
            0x0CF7, // _MAX
            0x0, // _TRA
            0x0CF8) // _LEN
        WordIO (
            ResourceProducer,
            MinFixed, // _MIF
            MaxFixed,,, // _MAF
            0x0000, // _GRA
            0x0D00, // _MIN
            0x7FFF, // _MAX
            0x0, // _TRA
            0x7300) // _LEN
        DWordMemory (
            ResourceProducer,,
            MinNotFixed, // _MIF
            MaxNotFixed, // _MAF
            NonCacheable, // _MEM
            ReadWrite, // _RW
            0x0FFFFFFF, // _GRA
            0x40000000, // _MIN
            0x7FFFFFFF, // _MAX
            0x0, // _TRA
            0x00000000) // _LEN
    })
    Method (_CRS, 0) { ... }
    Method (_SRS, 1) { ... }
}

```

### 9.11.1 Describing PCI Bus and Segment Group Numbers under Module Devices

If a module device exposes one or more PCI root busses, OSPM must be able to determine what PCI bus and segment group numbers are defined for the module device. A module device may be a container for root busses in multiple segment groups. Because the `_SEG` method can only return a single number, `_SEG` cannot adequately describe this case. To properly convey this information to OSPM, the PCI bus number resource descriptor in the module device must include both the bus and segment resources produced by the module device. To describe this in systems that implement multiple PCI segment groups, the segment group resources produced by a module device must be encoded in bits 8 and higher of the module device's `WordBusNumber` resource descriptor. For systems that do not expose multiple PCI segment groups, bits 8 and higher of the module device's `WordBusNumber` resource descriptor must be zero.

Note: The range of PCI segment groups reported in the `_CRS` of module devices cover both assigned and unassigned PCI root bridges. In the case of hot add of a PCI root bridge, OSPM does not re-evaluate the `_CRS` of its parent module device as its resources are not expected to change in this case.

For an example of a module device encoding PCI segment group ranges with PCI bus number resources, consider a module device that describes two PCI root bridges as child devices. The `_CRS` for the module device describes 2 PCI root bridges as child devices, where each PCI root bridge consumes its own PCI segment.

**Example:**

```
Device (\_SB.NOD0) {
  Name (_HID, "ACPI0004")           // Module device
  Name (_UID, 0)
  Name (_CRS, ResourceTemplate() {
    WordIO (
      ResourceProducer,
      MinFixed,           // _MIF
      MaxFixed,,,        // _MAF
      0x0000,             // _GRA
      0x0000,             // _MIN
      0x7FFF,             // _MAX
      0x0,                // _TRA
      0x8000)             // _LEN
    DWordMemory (
      ResourceProducer,,   // For Main Memory + PCI
      MinNotFixed,         // _MIF
      MaxNotFixed,         // _MAF
      Cacheable,           // _MEM
      ReadWrite,           // _RW
      0x0FFFFFFF,          // _GRA
      0x40000000,          // _MIN
      0x7FFFFFFF,          // _MAX
      0x0,                 // _TRA
      0x00000000)          // _LEN
    WordBusNumber (
      ResourceProducer,
      MinFixed,           // _MIF
      MaxFixed,,          // _MAF
      0x00,               // _GRA
      0x0000,             // _MIN (indicates minimum segment number 0)
      0x01FF,             // _MAX (indicates maximum segment of 1)
      0x0,                 // _TRA
      0x80)               // _LEN
  })
  Device (PCI0) {           // PCI Root Bridge
    Name (_HID, EISAID("PNP0A03"))
    Name (_UID, 0)
    Name (_BBN, 0x00)
    Name (_SEG, 0x00)      // assign segment 0 of module device to PCI0
    Name (_CRS, ResourceTemplate () {
      WordBusNumber (
        ResourceProducer,
        MinFixed,         // _MIF
        MaxFixed,,        // _MAF
        0x00,             // _GRA
        0x00,             // _MIN
        0xFF,             // _MAX
        0x0,              // _TRA
        0x80)             // _LEN
      WordIO (
        ResourceProducer,
        MinFixed,         // _MIF
        MaxFixed,,,      // _MAF
        0x0000,           // _GRA
        0x0000,           // _MIN
        0x0CF7,           // _MAX
        0x0,              // _TRA
        0x0CF8)           // _LEN
      )
    })
  }
}
```

```

    DWordMemory (
        ResourceProducer, ,
        MinNotFixed,      // _MIF
        MaxNotFixed,     // _MAF
        NonCacheable,    // _MEM
        ReadWrite,       // _RW
        0xFFFFFFFF,      // _GRA
        0x40000000,      // _MIN
        0x5FFFFFFFF,     // _MAX
        0x0,              // _TRA
        0x00000000)      // _LEN
    })
}
}
Device (PCI1) { // PCI Root Bridge
    Name (_HID, EISAID("PNP0A03"))
    Name (_UID, 0)
    Name (_BBN, 0x00)
    Name (_SEG, 0x01) // assign segment 1 of module device to PCI1
    Name (_CRS, ResourceTemplate () {
        WordBusNumber (
            ResourceProducer,
            MinFixed,      // _MIF
            MaxFixed,     // _MAF
            0x00,         // _GRA
            0x00,         // _MIN
            0x7F,         // _MAX
            0x0,          // _TRA
            0x80)         // _LEN
        WordIO (
            ResourceProducer,
            MinFixed,     // _MIF
            MaxFixed,     // _MAF
            0x0000,       // _GRA
            0x0D00,       // _MIN
            0x7FFF,       // _MAX
            0x0,          // _TRA
            0x7300)       // _LEN
        DWordMemory (
            ResourceProducer,
            MinNotFixed,  // _MIF
            MaxNotFixed,  // _MAF
            NonCacheable, // _MEM
            ReadWrite,    // _RW
            0xFFFFFFFF,   // _GRA
            0x60000000,    // _MIN
            0x7FFFFFFFF,   // _MAX
            0x0,           // _TRA
            0x00000000)    // _LEN
    })
}
}

```

## 9.12 Memory Devices

Memory devices allow a platform to convey dynamic properties of memory to OSPM and are required when a platform supports the addition or removal of memory while the system is active or when the platform supports memory bandwidth monitoring and reporting (see section 9.12.2, “Memory Bandwidth Monitoring and Reporting”). Memory devices may describe exactly the same physical memory that the System Address Map interfaces describe (see section 14, “System Address Map Interfaces”). They do not describe how that memory is, or has been, used. If a region of physical memory is marked in the System Address Map interface as AddressRangeReserved or AddressRangeNVS and it is also described in a memory device, then it is the responsibility of the OS to guarantee that the memory device is never disabled.

It is not necessary to describe all memory in the system with memory devices if there is some memory in the system that is static in nature. If, for instance, the memory that is used for the first 16 MB of system RAM cannot be ejected, inserted, or disabled, that memory may only be represented by the System Address Map interfaces. But if memory can be ejected, inserted, or disabled, or if the platform supports memory bandwidth monitoring and reporting, the memory must be represented by a memory device.

### 9.12.1 Address Decoding

Memory devices must provide a `_CRS` object that describes the physical address space that the memory decodes. If the memory can decode alternative ranges in physical address space, the devices may also provide `_PRS`, `_SRS` and `_DIS` objects. Other device objects may also apply if the device can be ejected.

### 9.12.2 Memory Bandwidth Monitoring and Reporting

During platform operation, an adverse condition external to the platform may arise whose remedy requires a reduction in the platform's available memory bandwidth. For example, a server management controller's detection of an adverse thermal condition or the need to reduce the total power consumption of platforms in the data center to stay within acceptable limits. Providing OSPM with knowledge of a platform induced reduction of memory bandwidth enables OSPM to provide more robust handling of the condition. The following sections describe objects OSPM uses to configure platform-based memory bandwidth monitoring and to ascertain available memory bandwidth when the platform performs memory bandwidth throttling.

#### 9.12.2.1 `_MBM` (Memory Bandwidth Monitoring Data)

The optional `_MBM` object provides memory bandwidth monitoring information for the memory device.

Arguments:

None

Return Value:

A **Package** containing memory device status information as described in table 9-9 below

Return Value Information:

`_MBM` evaluation returns a package of the following format:

```
Package (){
    Revision,                // Integer
    WindowSize,              // Integer DWORD
    SamplingInterval,        // Integer DWORD
    MaximumBandwidth,        // Integer DWORD
    AverageBandwidth,        // Integer DWORD
    LowBandwidth,            // Integer DWORD
    LowNotificationThreshold, // Integer DWORD
    HighNotificationThreshold // Integer DWORD
}
```

**Table 9-8 `_MBM` Package Details**

Field	Format	Description
Revision	<b>Integer</b>	Current revision is: 0
Window Size	<b>Integer</b> (DWORD)	This field indicates the size of the averaging window (in seconds) that the platform uses to report average bandwidth.
Sampling Interval	<b>Integer</b> (DWORD)	This field indicates the sampling interval (in seconds) that the platform uses to record bandwidth during the averaging window.
Maximum Bandwidth	<b>Integer</b> (DWORD)	This field indicates the maximum memory bandwidth (in megabytes per second) for the memory described by this memory device.

Field	Format	Description
Average Bandwidth	<b>Integer</b> (DWORD)	This field indicates the moving average memory bandwidth (in percent) for the averaging window.
Low Bandwidth	<b>Integer</b> (DWORD)	This field indicates the lowest memory bandwidth (in percent) recorded for the averaging window.
Low Notification Threshold	<b>Integer</b> (DWORD)	The platform to issues a Notify (0x80) on the memory device when the moving average memory bandwidth value (in percent) falls below the value indicated by this field.
High Notification Threshold	<b>Integer</b> (DWORD)	The platform to issues a Notify (0x81) on the memory device when the moving average memory bandwidth value (in percent) increases to or exceeds the value indicated by this field.

### 9.12.2.2 \_MSM (Memory Set Monitoring)

This optional object sets the memory bandwidth monitoring parameters described in table 9-9.

#### Arguments: (4)

- Arg0 – WindowSize (**Integer**(DWORD)): indicates the window size in seconds.
- Arg1 – SamplingInterval (**Integer**(DWORD)): indicates the sampling interval in seconds.
- Arg2 – LowNotificationThreshold (**Integer**(DWORD)): indicates the low notification threshold in percent. Must be  $\leq$  HighNotificationThreshold.
- Arg3 – HighNotificationThreshold (**Integer**(DWORD)): indicates the high notification threshold in percent. Must be  $\geq$  LowNotificationThreshold.

#### Return Value:

An **Integer** (DWORD) containing a bit encoded result code as follows:

- 0x00000000 – Succeeded to set all memory bandwidth monitoring parameters.
- Non-Zero – At least one memory bandwidth monitoring parameter value could not be set as follows:

**Table 9-9 \_MSM Result Encoding**

Bits	Definition
0	If clear indicates WindowSize was set successfully. If set, indicates invalid WindowSize argument.
1	If clear indicates SamplingInterval was set successfully. If set, indicates invalid SamplingInterval argument.
2	If clear indicates LowNotificationThreshold was set successfully. If set, indicates invalid LowNotificationThreshold argument.
3	If clear indicates HighNotificationThreshold was set successfully. If set, indicates invalid HighNotificationThreshold argument.
31:4	<i>Reserved</i> (must be 0)

### 9.12.3 \_OSC Definition for Memory Device

OSPM evaluates \_OSC under the Memory Device to convey OSPM capabilities to the platform. Argument definitions are as follows:

#### Arguments: (4)

Arg0 – UUID (**Buffer**): **03B19910-F473-11DD-87AF-0800200C9A66**

Arg1 – Revision ID (**Integer**): 1

Arg2 – Count of Entries in Arg3 (**Integer**): 2

Arg3 – DWORD capabilities (**Buffer**): First DWORD: as described in section 6.2.9, Second DWORD:  
See Table 6-9

Return Value:

A **Buffer** containing platform capabilities

**Table 9-10 Memory Device \_OSC Capabilities DWORD number 2**

Bits	Field Name	Definition
0	Memory Bandwidth Change Notifications	This bit is set if OSPM supports the processing of memory bandwidth change notifications. If the platform supports the ability to issue a notification when Memory Bandwidth changes, it may only do so after _OSC has been evaluated with this bit set. _OSC evaluation with this bit clear will cause the platform to cease issuing notifications if previously enabled.
31:1		<i>Reserved</i> (must be 0)

**Return Value Information**

Capabilities Buffer (Buffer) – The platform acknowledges the Capabilities Buffer by returning a buffer of DWORDs of the same length. Set bits indicate acknowledgement and cleared bits indicate that the platform does not support the capability.

**9.12.4 Example: Memory Device**

```
Scope (\_SB){
  Device (MEM0) {
    Name (_HID, EISAID ("PNP0C80"))
    Name (_CRS, ResourceTemplate () {
      QWordMemory
      ResourceConsumer,
      ,
      MinFixed,
      MaxFixed,
      Cacheable,
      ReadWrite,
      0xFFFFFFFF,
      0x10000000,
      0x30000000,
      0,
      ,,
    })
  }
}
```

**9.13 \_UPC (USB Port Capabilities)**

This optional object is a method that allows the platform to communicate to the operating system, certain USB port capabilities that are not provided for through current USB host bus adaptor specifications (e.g. UHCI, OHCI and EHCI). If implemented by the platform, this object will be present for each USB port (child) on a given USB host bus adaptor; operating system software can examine these characteristics at boot time in order to gain knowledge about the system's USB topology, available USB ports, etc. This method is applicable to USB root hub ports as well as ports that are implemented through integrated USB hubs.



Arguments:

None

Return Value:A **Package** as described belowReturn Value Information:

```

Package {
    Connectable          // Integer (BYTE)
    Type                 // Integer (BYTE)
    Reserved0            // Integer
    Reserved1            // Integer
}

```

**Table 9-11** \_UPC Return Package Values

Element	Object Type	Description
Connectable	<b>Integer</b> (BYTE)	If this value is non-zero, then the port is connectable. If this value is zero, then the port is not connectable.
Type	<b>Integer</b> (BYTE)	Specifies the host connector type. It is ignored by OSPM if the port is not user visible: 0x00: Type 'A' connector 0x01: Mini-AB connector 0x02: ExpressCard 0x03: USB 3 Standard-A connector 0x04: USB 3 Standard-B connector 0x05: USB 3 Micro-B connector 0x06: USB 3 Micro-AB connector 0x07: USB 3 Power-B connector 0x08 – 0xFE: <i>Reserved</i> 0xFF: Proprietary connector
Reserved0	<b>Integer</b>	This value is reserved for future use and must be zero.
Reserved1	<b>Integer</b>	This value is reserved for future use and must be zero.

Additional Notes:

The definition of a 'connectable' port is dependent upon the implementation of the USB port within a particular platform. For example,

- If a USB port is user visible (as indicated by the \_PLD object) and connectable, then an end user can freely connect and disconnect USB devices to the USB port.
- If a USB port is not user visible and is connectable, then an end user cannot freely connect and disconnect USB devices to the USB port. A USB device that is directly "hard-wired" to a USB port is an example of a USB port that is not user visible and is connectable.
- If a USB port is not user visible and is not connectable, then the USB port is physically implemented by the USB host controller, but is not being used by the platform and therefore cannot be accessed by an end user.

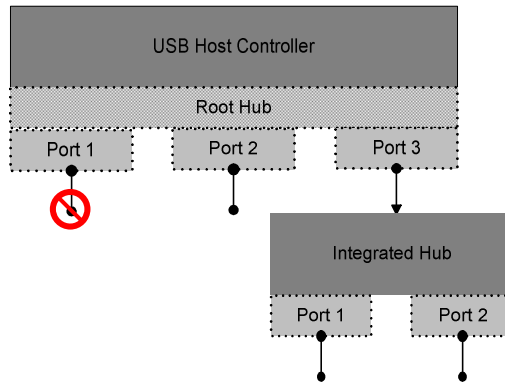
A USB port cannot be specified as both visible and not connectable.

**Example**

The following is an example of a port characteristics object implemented for a USB host controller's root hub where:

- 3 Ports are implemented; Port 1 is not user visible/not connectable and Ports 2 and 3 are user visible and connectable.

- Port 2 is located on the back panel
- Port 3 has an integrated 2 port hub. Note that because this port hosts an integrated hub, it is therefore not sharable with another host controller (e.g. If the integrated hub is a USB2.0 hub, the port can never be shared with a USB1.1 companion controller).
- The ports available through the embedded hub are located on the front panel and are adjacent to one another.



```
//
// Root hub device for this host controller. This controller implements 3 root hub ports.
//
Device( RHUB) {
    Name( _ADR, 0x00000000)      // Value of 0 is reserved for root HUB
    // Root hub, port 1
    Device( PRT1) {
        // Address object for port 1. This value must be 1
        Name( _ADR, 0x00000001)
        // USB port capabilities object. This object returns the system
        // specific USB port configuration information for port number 1
        // Because this port is not connectable it is assumed to be not visible.
        // Therefore a _PLD descriptor is not required.
        Name( _UPC, Package(){
            0x00,                // Port is not connectable
            0xFF,                // Connector type (N/A for non-visible ports)
            0x00000000,          // Reserved 0 - must be zero
            0x00000000})        // Reserved 1 - must be zero
    } // Device( PRT1)

    //
    // Root Hub, Port 2
    //
    Device( PRT2) {
        // Address object for port 2. This value must be 2
        Name( _ADR, 0x00000002)
        Name( _UPC, Package(){
            0xFF,                // Port is connectable
            0x00,                // Connector type - Type 'A'
            0x00000000,          // Reserved 0 - must be zero
            0x00000000})        // Reserved 1 - must be zero
    }
}
```

```

// provide physical port location info
Name( _PLD, Package(1) {
    Buffer(0x14) {
        0x82,0x00,0x00,0x00, // Revision 2, Ignore color
                                // Color (ignored), width and height not
        0x00,0x00,0x00,0x00, // required as this is a standard USB 'A' type
                                // connector

        0x69,0x0c,0x00,0x00, // User visible, Back panel, Vertical
                                // Center, shape = vert. rectangle
        0x03,0x00,0x00,0x00, // ejectable, requires OPSPM eject assistance
        0xFF,0xFF,0xFF,0xFF}} // Vert. and Horiz. Offsets not supplied
} // Device( PRT2)

//
// Root Hub, Port 3
//
Device( PRT3) {
    // This device is the integrated USB hub.
    // Address object for port 3. This value must be 3
    Name(_ADR, 0x00000003)
    // Because this port is not connectable it is assumed to be not visible.
    // Therefore a _PLD descriptor is not required.
    Name( _UPC, Package(){
        0x00, // Port is not connectable
        0xFF, // Connector type (N/A for non-visible ports)
        0x00000000, // Reserved 0 - must be zero
        0x00000000}) // Reserved 1 - must be zero

    //
    // Integrated hub, port 1
    //
    Device( PRT1) {
        // Address object for the port. Because the port is implemented on
        // integrated hub port #1, this value must be 1
        Name( _ADR, 0x00000001)
        // USB port characteristics object. This object returns the system
        // specific USB port configuration information for integrated hub port
        // number 1
        Name( _UPC, Package(){
            0xFF, // Port is connectable
            0x00, // Connector type - Type 'A'
            0x00000000, // Reserved 0 - must be zero
            0x00000000}) // Reserved 1 - must be zero

        // provide physical port location info
        Name( _PLD, Package(1) {
            Buffer(0x14) {
                0x82,0x00,0x00,0x00,, // Revision 2, Ignore color
                                        // Color (ignored), width and height not
                0x00,0x00,0x00,0x00, // required as this is a standard USB 'A' type
                                        // connector

                0xa1,0x10,0x00,0x00, // User visible, front panel, Vertical
                                        // lower, horz. Left, shape = horz. rectangle
                0x03,0x00,0x00,0x00, // ejectable, requires OPSPM eject assistance
                0xFF,0xFF,0xFF,0xFF}} // Vert. and Horiz. Offsets not supplied
        } // Device( PRT1)

```

```

//
// Integrated hub, port 2
//
Device( PRT2) {
    // Address object for the port. Because the port is implemented on
    // integrated hub port #2, this value must be 2
    Name( _ADR, 0x00000002)
    // USB port characteristics object. This object returns the system
    // specific USB port configuration information for integrated hub port
    // number 2
    Name( _UPC, Package(){
        0xFF, // Port is connectable
        0x00, // Connector type - Type 'A'
        0x00000000, // Reserved 0 - must be zero
        0x00000000}) // Reserved 1 - must be zero
    Name( _PLD, Package(1) {
        Buffer(0x14) {
            0x82,0x00,0x00,0x00, // Revision 2, Ignore color
            // Color (ignored), width and height not
            0x00,0x00,0x00,0x00, // required as this is a standard USB 'A' type
            // connector

            0xa1,0x12,0x00,0x00, // User visible, front panel, Vertical
            // lower, horz. right, shape = horz. rectangle
            0x03,0x00,0x00,0x00, // ejectable, requires OSPM eject assistance
            0xFF,0xFF,0xFF,0xFF}} // Vert. and Horiz. Offsets not supplied
    } // Device( PRT2)
} // Device( PRT3)
} // Device( RHUB)

```

### 9.13.1 USB 2.0 Host Controllers and \_UPC and \_PLD

Platforms implementing USB2.0 host controllers that consist of one or more USB1.1 compliant companion controllers (e.g. UHCI or OHCI) must implement a \_UPC and a \_PLD object for each port USB port that can be routed between the EHCI host controller and its associated companion controller. This is required because a USB Port Capabilities object implemented for a port that is a child of an EHCI host controller may not be available if the OSPM disables the parent host controller. For example, if root port 1 on an EHCI host controller is routable to root port 1 on its companion controller, then the namespace must provide a \_UPC and a \_PLD object under each host controller's associated port 1 child object.

**Example**

```

Scope( \_SB) {
  ...
  Device(PCI0) {
    ...
    // Host controller (EHCI)
    Device(USB0) {
      // PCI device#/Function# for this HC. Encoded as specified in the ACPI
      // specification
      Name(_ADR, 0xyyyzzzz)
      // Root hub device for this HC #1.
      Device(RHUB) {
        Name(_ADR, 0x00000000) // must be zero for USB root hub
        // Root hub, port 1
        Device(PRT1) {
          Name(_ADR, 0x00000001)

          // USB port configuration object. This object returns the system
          // specific USB port configuration information for port number 1
          // Must match the _UPC declaration for USB1.RHUB.PRT1 as it is this
          // host controller's companion
          Name(_UPC, Package(){
            0xFF, // Port is connectable
            0x00, // Connector type - Type 'A'
            0x00000000, // Reserved 0 - must be zero
            0x00000000}) // Reserved 1 - must be zero

          // provide physical port location info for port 1
          // Must match the _UPC declaration for USB1.RHUB.PRT1 as it is this
          // host controller's companion
          Name(_PLD, Package(1) {
            Buffer(0x14) {
              0x82,0x00,0x00,0x00, // Revision 2, Ignore color
              // Color (ignored), width and height not
              0x00,0x00,0x00,0x00, // required as this is a standard USB 'A'
              // type connector

              0xa1,0x10,0x00,0x00, // User visible, front panel, Vertical
              // lower, horz. Left, shape = horz. Rect.
              0x03,0x00,0x00,0x00, // ejectable, needs OPSPM eject assistance
              0xFF,0xFF,0xFF,0xFF}) // Vert. and Horiz. Offsets not supplied

          } // Device( PRT1)
          //
          // Define other ports, control methods, etc
          ...
          ...
        } // Device( RHUB)
      } // Device( USB0)
    }
  }
}

```

```

// Companion Host controller (OHCI or UHCI)
Device( USB1) {
    // PCI device#/Function# for this HC. Encoded as specified in the ACPI
    // specification
    Name(_ADR, 0xyyyzzzz)
    // Root hub device for this HC #1.
    Device(RHUB) {
        Name(_ADR, 0x00000000) // must be zero for USB root hub
        // Root hub, port 1
        Device(PRT1) {
            Name(_ADR, 0x00000001)
            // USB port configuration object. This object returns the system
            // specific USB port configuration information for port number 1
            // Must match the _UPC declaration for USB0.RHUB.PRT1 as this host
            // controller is a companion to the EHCI host controller
            // provide physical port location info for port 1
            Name( _UPC, Package(){
                0xFF, // Port is connectable
                0x00, // Connector type - Type 'A'
                0x00000000, // Reserved 0 - must be zero
                0x00000000}) // Reserved 1 - must be zero

            // Must match the _PLD declaration for USB0.RHUB.PRT1 as this host
            // controller is a companion to the EHCI host controller
            Name( _PLD, Package(1) {
                Buffer( 0x14) {
                    0x82,0x00,0x00,0x00, // Revision 2, Ignore color
                                        // Color (ignored), width and height not
                    0x00,0x00,0x00,0x00, // required as this is a standard USB 'A'
                                        // type connector

                    0xa1,0x10,0x00,0x00, // User visible, front panel, Vertical
                                        // lower, horz. Left, shape = horz. Rect.
                    0x03,0x00,0x00,0x00, // ejectable, requires OPSM eject assistance
                    0xFF,0xFF,0xFF,0xFF}) // Vert. and Horiz. Offsets not supplied
                } // Device( PRT1)
            //
            // Define other ports, control methods, etc
            ...
            ...
        } // Device( RHUB)
    } // Device( USB1)
} // Device( PCI0)
} // Scope( _\SB)

```

## 9.14 Device Object Name Collision

Devices containing both `_HID` and `_CID` may have device specific control methods pertaining to both the device ID in the `_HID` and the device ID in the `_CID`. These device specific control methods are defined by the device owner (a standard body or a vendor or a group of vendor partners). Since these object names are not controlled by a central authority, there is a likelihood that the names of objects will conflict between two defining parties. The `_DSM` object described in the next section solves this conflict.

### 9.14.1 `_DSM` (Device Specific Method)

This optional object is a control method that enables devices to provide device specific control functions that are consumed by the device driver.

**Arguments: (4)**

- Arg0 – A **Buffer** containing a UUID
- Arg1 – An **Integer** containing the Revision ID
- Arg2 – An **Integer** containing the Function Index
- Arg3 – A **Package** that contains function-specific arguments

**Return Value:**

If Function Index = 0, a **Buffer** containing a function index bitfield. Otherwise, the return value and type depends on the UUID and revision ID (see below).

**Argument Information:**

- Arg0: *UUID* – A Buffer containing the Universal Unique Identifier (16 Bytes)
- Arg1: *Revision ID* – the function’s revision. This revision is specific to the UUID.
- Arg2: *Function Index* – Represents a specific function whose meaning is specific to the UUID and Revision ID. Function indices should start with 1. Function number zero is a query function (see the special return code defined below).
- Arg3: *Arguments* – a package containing the parameters for the function specified by the *UUID*, *Revision ID* and *Function Index*. Successive revisions of *Function Arguments* must be backward compatible with earlier revisions. See section 9, “ACPI Devices and Device Specific Objects”, for any *\_DSM* definitions for ACPI devices. New UUIDs may also be created by OEMs and IHVs for custom devices and other interface or device governing bodies (e.g. the PCI SIG), as long as the UUID is different from other published UUIDs. Only the issuer of a UUID can authorize a new *Function Index*, *Revision ID* or *Function Argument* for that UUID.

**Return Value Information:**

If *Function Index* is zero, the return is a buffer containing one bit for each function index, starting with zero. Bit 0 indicates support for at least one function for the specified UUID and Revision ID. If set to zero, no functions are supported (other than function zero) for the specified UUID and Revision ID. If set to one, at least one function is supported. For all other bits in the buffer, a bit is set to zero to indicate if the function index is not supported for the specific UUID and Revision ID. If the bit representing a particular function index would lie outside of the buffer, it should be assumed to be 0 (that is, not supported).

If *Function index* is non-zero, the return is any data object. The type and meaning of the returned data object depends on the *UUID* and *Revision ID*.

**Implementation Note**

Since the purpose of the *\_DSM* method is to avoid the namespace collision, the implementation of this method shall not use any other method or data object which is not defined in this specification unless its driver and usage is completely under the control of the platform vendor.

**Example:**

```

// _DSM - Device Specific Method
//
// Arg0:   UUID           Unique function identifier
// Arg1:   Integer        Revision Level
// Arg2:   Integer        Function Index (0 = Return Supported Functions)
// Arg3:   Package        Parameters
Function(_DSM,{IntObj, BuffObj},{BuffObj, IntObj, IntObj, PkgObj})
{
    //
    // Switch based on which unique function identifier was passed in
    //
    switch(Arg0)
    {
        //
        // First function identifier
        //
        case(ToUUID("893f00a6-660c-494e-bcfd-3043f4fb67c0"))
        {
            switch(Arg2)
            {
                //
                // Function 0: Return supported functions, based on revision
                //
                case(0)
                {
                    switch(Arg1)
                    {
                        // revision 0: functions 1-4 are supported
                        case(0) {return (Buffer() {0x1F})}
                        // revision 1: functions 1-5 are supported
                        case(1) {return (Buffer() {0x3F})}
                    }
                    // revision 2+: functions 1-7 are supported
                    return (Buffer() {0x7F})
                }
                //
                // Function 1:
                //
                case(1)
                {
                    ... function 1 code ...
                    Return(Zero)
                }
                //
                // Function 2:
                //
                case(2)
                {
                    ... function 2 code ...
                    Return(Buffer(){0x00})
                }
                case(3) { ... function 3 code ...}
                case(4) { ... function 4 code ...}
                case(5) { if (LLess(Arg1,1) BreakPoint; ... function 5 code ... }
                case(6) { if (LLess(Arg1,2) BreakPoint; ... function 6 code ... )
                case(7) { if (LLess(Arg1,3) BreakPoint; ... function 7 code ... )
                default {BreakPoint }
            }
        }
    }
}

```



```

//
// Second function identifier
//
case(ToUUID("107ededd-d381-4fd7-8da9-08e9a6c79644"))
{
    //
    // Function 0: Return supported functions (there is only one revision)
    //
    if (LEqual(Arg2,Zero))
        return (Buffer() {0x3}) // only one function supported
    //
    // Function 1
    //
    if (LEqual(Arg2,One))
    {
        ... function 1 code ...
        Return(Unicode("text"))
    }
    //
    // Function 2+: Runtime Error
    //
    else
        BreakPoint;
}
}
//
// If not one of the function identifiers we recognize, then return a buffer
// with bit 0 set to 0 indicating no functions supported.
//
return(Buffer(){0})
}

```

## 9.15 PC/AT RTC/CMOS Devices

Most computers contain an RTC device which also contains battery-backed RAM represented as a linear array of bytes. There is a standard mechanism for accessing the first 64 bytes of non-volatile RAM in devices that are compatible with the Motorola RTC/CMOS device that was in the IBM PC/AT. Newer devices usually contain at least 128 bytes of battery-backed RAM. New PNP IDs were assigned for these devices.

Certain bytes within the battery-backed RAM have pre-defined values. In particular, the time, date, month, year, century, alarm time and RTC periodic interrupt are read-only.

### 9.15.1 PC/AT-compatible RTC/CMOS Devices (PNP0B00)

The standard PC/AT-compatible RTC/CMOS device is denoted by the PnP ID PNP0B00. If an ACPI platform uses a device that is compatible with this device, it may describe this in its ACPI namespace. ASL may then read and write this as a linear 64-byte array. If PNP0B00 is used, ASL and ACPI operating systems may not assume that any extensions to the CMOS exist.

**Note:** This means that the CENTURY field in the Fixed ACPI Description Table may only contain values between 0 and 63.

**Example:**

This is an example of how this device could be described:

```
Device (RTC0) {
    Name(_HID, EISAID("PNP0B00"))

    Name (_FIX, Package(1) {
        EISAID("PNP0B00") }
    )
    Name(_CRS, ResourceTemplate() {
        IO(Decode16, 0x70, 0x70, 0x1, 0x2)
    }

    OperationRegion(CMS1, CMOS, 0, 0x40)

    Field(CMS1, ByteAcc, NoLock, Preserve) {
        AccessAs(ByteAcc, 0),
        CM00, 8,
        ,256,
        CM01, 8,
        CM02, 16,
        , 216,
        CM03, 8
    }
}
```

**9.15.2 Intel PIIX4-compatible RTC/CMOS Devices (PNP0B01)**

The Intel PIIX4 contains an RTC/CMOS device that is compatible with the one in the PC/AT. But it contains 256 bytes of non-volatile RAM. The first 64 bytes are accessed via the same mechanism as the 64 bytes in the PC/AT. The upper 192 bytes are accessed through an interface that is only used on Intel chips. (See [82371AB PCI-TO-ISA / IDEXCELERATOR \(PIIX4\)](#) for details.)

Any platform containing this device or one that is compatible with it may use the PNP ID PNP0B01. This will allow an ACPI-compatible OS to recognize the RTC/CMOS device as using the programming interface of the PIIX4. Thus, the array of bytes that ASL can read and write with this device is 256 bytes long.

**Note:** This also means that the CENTURY field in the Fixed ACPI Description Table may contain values between 0 and 255.

**Example:**

This is an example of how this device could be described:

```
Device (RTC0) {
    Name(_HID, EISAID("PNP0B01"))

    Name (_FIX, Package(1) {
        EISAID("PNP0B01") })
    )
    Name(_CRS, ResourceTemplate() {
        IO(Decode16, 0x70, 0x70, 0x1, 0x2)
        IO(Decode16, 0x72, 0x72, 0x1, 0x2)
    })

    OperationRegion(CMS1, CMOS, 0, 0x100)

    Field(CMS1, ByteAcc, NoLock, Preserve) {
        AccessAs(ByteAcc, 0),
        CM00, 8,
        , 256,
        CM01, 8,
        CM02, 16,
        , 224,
        CM03, 8,
        , 184,
        CENT, 8
    }
}
```

**9.15.3 Dallas Semiconductor-compatible RTC/CMOS Devices (PNP0B02)**

Dallas Semiconductor RTC/CMOS devices are compatible with the one in the PC/AT, but they contain 256 bytes of non-volatile RAM or more. The first 64 bytes are accessed via the same mechanism as the 64 bytes in the PC/AT. The upper bytes are accessed through an interface that is only used on Dallas Semiconductor chips.

Any platform containing this device or one that is compatible with it may use the PNP ID PNP0B02. This will allow an ACPI-compatible OS to recognize the RTC/CMOS device as using the Dallas Semiconductor programming interface. Thus, the array of bytes that ASL can read and write with this device is 256 bytes long.

Description of these devices is similar to the PIIX4 example above, and the CENTURY field of the FADT may also contain values between 0 and 255.

**9.16 User Presence Detection Device**

The following section illustrates the operation and definition of the control method-based User Presence Detection (UPD) device.

The user presence detection device can optionally support power management objects (e.g. \_PS0, \_PS3) to allow the OS to manage the device's power consumption.

The Plug and Play ID of an ACPI control method user presence detection device is ACPI0009.

**Table 9-12 User Presence Detection Device**

Object	Description
_UPD	The current user presence detection reading. [Required]
_UPP	User presence detection polling frequency in tenths of seconds. [Optional]

### 9.16.1 **\_UPD (User Presence Detect)**

This control method returns the user presence detection reading, indicating whether or not the user is currently present from the perspective of this sensor. Three states are currently defined for UPD sensor readings: *absent*, *present*, and *unknown*, represented by the values 0x00, 0x01, and 0xFF respectively. The unknown state is used to convey that the sensor is currently unable to determine user presence due to some environmental or other transient factor. All other values are reserved.

Arguments:

None

Return Value:

An **Integer** containing the user presence code:

0x00 – *Absent*: A user is *not* currently detected by this sensor.

0x01 – *Present*: A user is currently detected by this sensor.

0xFF – *Unknown*: The sensor is currently unable to determine if a user is present or absent.

### 9.16.2 **\_UPP (User Presence Polling)**

This optional object evaluates to a *recommended* polling frequency (in tenths of seconds) for this user presence sensor. A value of zero – or the absence of this object when other UPD objects are defined – indicates that the OS does not need to poll the sensor in order to detect meaningful changes in user presence (the hardware is capable of generating asynchronous notifications).

Arguments:

None

Return Value:

An **Integer** containing the recommended polling frequency in tenths of seconds. A value of zero indicates that polling is not required.

The use of polling is allowed but strongly discouraged by this specification. OEMs should design systems that asynchronously notify OSPM whenever a meaningful change in user presence occurs—relieving the OS of the overhead associated with polling.

This value is specified as tenths of seconds. For example, a value of 10 would be used to indicate a 1 second polling frequency. As this is a recommended value, OSPM will consider other factors when determining the actual polling frequency to use.

### 9.16.3 **User Presence Sensor Events**

To communicate changes in user presence to OSPM, AML code should issue a **Notify**(*upd\_device*, 0x80) whenever a change in user presence has occurred. The OS receives this notification and calls the **\_UPD** control method to determine the current user presence status.

UPD notifications should be generated whenever a transition occurs between one of the user presence states (absent, present, or unknown) – but at a level of granularity that provides an appropriate response without overly taxing the system with unnecessary interrupts.

## 9.17 **I/O APIC Device**

This optional device describes a discrete I/O APIC device that is not bus enumerated (e.g., as a PCI device). Describing such a device in the ACPI namespace is only necessary if hot plug of this device is supported. If hot plug of this device is not supported, an MADT I/O APIC (section 5.2.12.3, “I/O APIC Structure”) entry or I/O SAPIC (section 5.2.12.9, “I/O SAPIC Structure”) entry is sufficient to describe this device.

An I/O APIC device is an I/O unit that complies with either of the APIC interrupt models supported by ACPI. These interrupt models are described Section 5.2.12.3, "I/O APIC Structure" and Section 5.2.12.9, "I/O SAPIC Structure". If the device is an I/O unit that complies with the APIC interrupt model, it is declared using the ACPI000A identifier. If this device is an I/O unit that complies with the SAPIC interrupt model, it is declared using the ACPI000B identifier. If this device complies with both the APIC and SAPIC interrupt models (I/OxAPIC), it is declared using the ACPI0009 identifier.

An I/O APIC device declared using any of the above identifiers must contain a `_GSB` object as defined in Section 6.2.6, "`_GSB` (Global System Interrupt Base)" to report its Global System Interrupt Base. It must also contain a `_CRS` object that reports the base address of the I/O APIC device. The `_CRS` object is required to contain only one resource, a memory resource pointing to the I/O APIC register base.

Note: because the `_CRS` and `_GSB` methods provide sufficient information, it is not necessary to provide `_MAT` under an I/O APIC device.

For an I/O APIC device that is described both in the MADT and in the namespace, the base address described in the MADT entry must be the same as the base address in the IO APIC device `_CRS` at boot time. OSPM must use the information from the MADT until such a time as the `_CRS` and `_GSB` methods in the namespace device can be processed. At this point OSPM must ignore the MADT entry.

## 9.18 Wake Alarm Device

The following sections define the operation and definition of the optional control method-based Wake Alarm device, which provides a more robust alternative to the Real Time Clock (RTC) Alarm, See section 4.7.2.4, "Real Time Clock Alarm".

The Wake Alarm device can optionally support power management objects (e.g. `_PS0`, `_PS3`) to allow the OS to manage the device's power consumption.

The Wake Alarm device must support control method `_PRW` for being enabled to wake up the system. It might support `_DSW` or `_PSW` to provide the functionality to enable or disable the device's ability to wake a sleep system.

The Plug and Play ID of the Wake Alarm device is ACPI000E.

**Table 9-13 Wake Alarm Device**

Object	Description
<code>_STP</code>	Sets expired timer wake policy for the specified timer.
<code>_STV</code>	Sets the value in the specified timer.
<code>_TIP</code>	Returns the current expired timer policy setting of the specified timer.
<code>_TIV</code>	Returns the remaining time of in the specified timer.

### 9.18.1 Overview

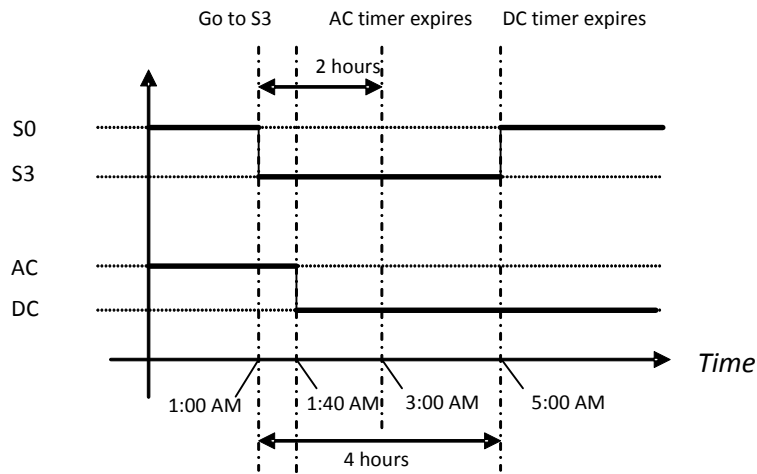
The Wake Alarm device provides wake timers that allow the system to transition from the S3 (or optionally S4/S5) state to S0 state after a time period elapses. The alternative device that supports the wake timers is the Real Time Clock (RTC) Alarm, which is defined as a fixed feature hardware device. In comparison with the Real Time Clock (RTC) Alarm, the Wake Alarm device provides a larger scale of flexibility in the operation of the wake timers.

The Wake Alarm device contains two programmable timers that can be configured to wake the system depending on the platform’s current power source (AC or DC) when the timers expire. The two timers, which are referred as the AC timer and the DC timer, are independent in that they are individually programmable and applicable without interfering each other. Each of the timers can be programmed with the number of seconds to elapse from the time the timer is programmed until a wake is requested. When a timer expires, the Wake Alarm device decides whether to wake the system based on the current power source. If the current power source is consistent with the timer type that expires, a wake signal will be asserted. Otherwise, the wake signal will not be asserted.

In the event the current power source is inconsistent with the timer type that expires, an expired timer wake policy value, in units of seconds, is defined that enables the wake alarm device to wake the system when the power source corresponding to the expired timer becomes active (wake either immediately, after some time period, or never).

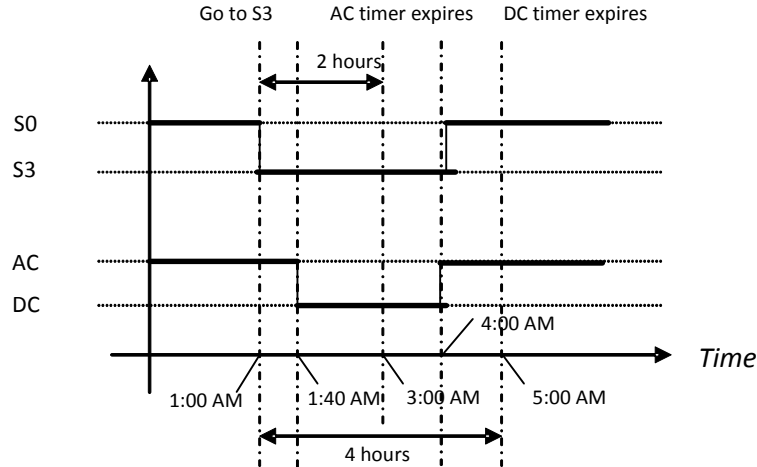
For example, If a mobile platform programs the AC timer to be 2 hours long and DC timer to be 4 hours long and then transitions from the S0 state to S3 state at 1:00 AM, the AC timer is set to expire at 3:00 AM and the DC timer is set to expire at 5:00 AM. For the AC Timer, a expired timer wake policy value is programmed as 60 seconds.

If the platform is unplugged from AC power at 1:40 AM and remains unplugged, the Wake Alarm Device will not up the system at 3:00 AM. If the platform remains on DC power until 5:00 AM when the DC timer expires, a wake signal will then be asserted. The following graph illustrates the above example.



**Figure 9 4. System transitions withWake Alarm– Timer**

If the AC power is plugged in again at 4:00 AM, then the system will be woken up at 4:01 AM due to the AC expired timer wake policy value setting. The following graph illustrates this.



**Figure 9 5. System transitions with Wake Alarm – Policy**

OSPM evaluates the `_STV` object to program both the AC and DC timer values. The values, which are in units of seconds, indicate the elapsed time before the timer expires. OSPM evaluates the `_TIV` object to read the current AC and DC timer values (seconds remaining until expiration).

OSPM evaluates the `_STP` object to set timer policies for both the AC and DC timers. OSPM reads the current timer policy by evaluating the `_TIP` object, which return policy settings for both the AC and DC timer.

The Wake Alarm device, if implemented, must support waking up the system from S3. Waking from S4/S5 support is optional. Wake support for any power state must be made available on both AC and DC power sources.

### 9.18.2 `_STP` (Set Expired Timer Wake Policy)

This object is required and sets the expired timer wake policy. The policy is applied when a corresponding timer expired but the wake signal was not asserted as a result of the power source. The platform accumulates elapsed time on the power source and asserts the wake signal when the elapsed timer on the power source exceeds the expired timer wake policy value. Power source transitions do not reset the expired timer wake policy values. When the Wake Alarm device asserts the wake, the expired timer wake policy values of both the AC timer and DC timer are reset to `0xFFFFFFFF` automatically by hardware.

#### Arguments: (2)

Arg0 – `TimerIdentifier` (**Integer**(DWORD)): indicates the timer to be set:

0x00000000 – AC Timer

0x00000001 – DC Timer

Arg1 – `ExpiredTimerWakePolicy` (**Integer**(DWORD)): indicates the expired timer wake policy:

0x00000000 – The timer will wake up the system instantly after the power source changes.

0x00000001 – 0xFFFFFFFF: time between the power source changes and the timer wakes up the system (in units of second).

0xFFFFFFFF – The timer will never wake up the system after the power source changes.

#### Return Value:

An **Integer** containing a result code as follows:

0x00000000 – Succeeded to set the expired timer wake policy.

0x00000001 – Failed to set the timer policy. Actual timer policy unknown.

### 9.18.3 \_STV (Set Timer Value)

This object is required and sets the timer to the specified value. As defined in \_TIV, the value indicates the number of seconds between the time when the timer is programmed and the time when it expires. When the Wake Alarm device asserts the wake signal, the timer value is automatically reset to 0xFFFFFFFF (disabled).

Arguments: (2)

Arg0 – TimerIdentifier (**Integer** (DWORD)): indicates the timer to be set:  
 0x00000000 – AC Timer  
 0x00000001 – DC Timer  
 Arg1 – TimerValue (Integer): indicates the value to be set.

Return Value:

An **Integer** containing a result code as follows:  
 0x00000000 – Succeeded to set timer value.  
 0x00000001 – Failed to set timer value. Actual timer value unknown.

### 9.18.4 \_TIP (Expired Timer Wake Policy)

This object is required and returns the current expired timer wake policy setting of the specified timer.

Arguments: (1)

Arg0 – TimerIdentifier (**Integer** (DWORD)): indicates the timer to be read:  
 0x00000000 – AC Timer  
 0x00000001 – DC Timer

Return Value:

An **Integer** (DWORD) containing current expired timer wake policy:  
 0x00000000 – The timer will wake up the system instantly after the power source changes  
 0x00000001 – 0xFFFFFFFF: Time between the power source changes and the timer wakes up the system ( in units of second )  
 0xFFFFFFFF – The timer will never wake up the system after the power source changes

### 9.18.5 \_TIV (Timer Values)

This object is required and returns the remaining time of the specified timer before it expires.

Arguments: (1)

Arg0 – TimerIdentifier (**Integer**(DWORD)): indicates the timer to be read:  
 0x00000000 – AC Timer  
 0x00000001 – DC Timer

Return Value:

An **Integer** containing the current timer value. A value of 0xFFFFFFFF indicates that the timer is disabled.

### 9.18.6 ACPI Wakeup Alarm Events

The Wake Alarm, device as a generic hardware, supports control methods \_PSW and \_PRW to wake up the system and issues a Notify(<device>, 0x2) on the wakeup alarm device.

### 9.18.7 Relationship to Real Time Clock Alarm

Though both of the devices support wakeup timers to wake up system from sleeping state, they work independently. The Real Time Clock Alarm is defined as a fixed feature hardware whereas the Wake Alarm device is defined as a generic hardware. OSPM may chose which device to utilize to provide timed wake capability.



### 9.18.8 Example ASL code

The following ASL code serves as an example of how Wake Alarm Device could be implemented. It is beyond the capability and the scope of this specification to provide a complete hardware implementation example.

```
//Define an ACPI Wakeup Alarm
Device(\_SB.AWA){
    Name(_HID, EISAID("ACPI000E")) //device ID
    Name(_PRW, Package(){...}) //enable or disable to wake up the system

    OperationRegion(CMOP, EmbeddedControl, ...)
    Field(CMOP, ByteAcc, ...){
        ..... //timer status and policies
    }
    Method(_TVP){
        Return(package{... timer values and policies...})
    }
    Method(_SAT, 2, Serialized){
        If(Arg0){
            Store(Arg0, ...) //set AC timer value
        }
        If(Arg1){
            Store(Arg1, ...) //set AC timer policy
        }
    }
    Method(_SDT, 2, Serialized){
        If(Arg0){
            Store(Arg0, ...) //set DC timer value
        }
        If(Arg1){
            Store(Arg1, ...) //set DC timer policy
        }
    }
} // end of ACPI Wakeup Alarm device object

Scope(\_GPE) { // Root level event handlers

    Method(_Lxx){
        Store(One, ...)
        Notify(..., 0x2) //notify the OSPM of device wake
    }

} // end of \_GPE scope
```



## 10 Power Source and Power Meter Devices

This section specifies the battery, AC adapter, and power source device objects OSPM uses to manage power resources, as well as the power meter device objects OSPM uses to measure power consumption.

A battery device is required to either have a Smart Battery subsystem or a Control Method Battery interface as described in this section. OSPM is required to be able to connect and manage a battery on either of these interfaces. This section describes these interfaces.

In the case of a compatible ACPI Smart Battery Table, the Definition Block needs to include a Bus/Device package for the SMB-HC. This will install an OS-specific driver for the SMBus, which in turn will locate the components of the Smart Battery subsystem. In addition to the battery or batteries, the Smart Battery subsystem includes a charger and a manager device to handle subsystems with multiple batteries.

The Smart Battery System Manager is one implementation of a manager device that is capable of arbitrating among the available power sources (AC power and batteries) for a system. It provides a superset of the Smart Battery Selector functionality, such as safely responding to power events (AC versus battery power), inserting and removing batteries and notifying the OS of all such changes. Additionally, the Smart Battery System Manager is capable of handling configurations including simultaneous charging and discharging of multiple batteries. Unlike the Smart Battery Selector that shares responsibility for configuring the battery system with OSPM, the Smart Battery System Manager alone controls the safe configuration of the battery system and simply issues status changes to OSPM when the configuration changes. Smart Battery System Manager is the recommended solution for handling multiple-battery systems.

A Power Meter device is the logical representation of a platform sensor that measures the power consumption of one or more devices in the system. A basic platform implementation implements interfaces that query the current power consumption and get the currently configured power consumption hardware limit, while more advance power meter device implementations provide interfaces that support OSPM configurable power consumption trip points that trigger SCI events, or enable configuration of the underlying hardware to enforce a hard limit on the maximum amount of power that can be consumed.

### 10.1 Smart Battery Subsystems

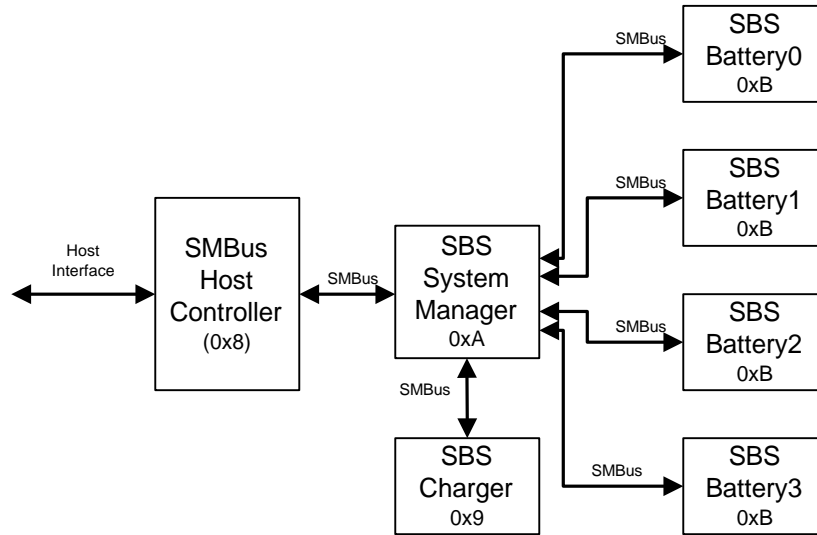
The Smart Battery subsystem is defined by the:

- System Management Bus Specification (SMBS)
- Smart Battery Data Specification (SBDS)
- Smart Battery Charger Specification (SBCS)
- Smart Battery System Manager Specification (SBSM)
- Smart Battery Selector Specification (SBSS)

An ACPI-compatible Smart Battery subsystem consists of:

- An SMB-HC (CPU to SMB-HC) interface
- At least one Smart Battery
- A Smart Battery Charger
- Either a Smart Battery System Manager or a Smart Battery Selector if more than one Smart Battery is supported

In such a subsystem, a standard way of communicating with a Smart Battery and Smart Battery Charger is through the SMBus physical protocols. The Smart Battery System Manager or Smart Battery Selector provides event notification (battery insertion/removal, and so on) and charger SMBus routing capability for any Smart Battery subsystem. A typical Smart Battery subsystem is illustrated below:



**Figure 10-1 Typical Smart Battery Subsystem (SBS)**

SMBus defines a fixed 7-bit slave address per device. This means that all batteries in the system have the same address (defined to be 0xB). The slave addresses associated with Smart Battery subsystem components are shown in the following table.

**Table 10-1 Example SMBus Device Slave Addresses**

SMBus Device Description	SMBus Slave Address (A0-A6)
SMBus Host Slave Interface	0x8
Smart Battery Charger/Charger Selector or Charger System Manager	0x9
Smart Battery System Manager or Smart Battery Selector	0xA
Smart Battery	0xB

Each SMBus device has up to 256 registers that are addressed through the SMBus protocol's *Command* value. SMBus devices are addressed by providing the slave address with the desired register's *Command* value. Each SMBus register can have non-linear registers; that is, command register 1 can have a 32-byte string, while command register 2 can have a byte, and command register 3 can have a word.

The SMBus host slave interface provides a standard mechanism for the host CPU to generate SMBus protocol commands that are required to communicate with SMBus devices (in other words, the Smart Battery components). ACPI defines such an SMB-HC that resides in embedded controller address space; however, an OS can support any SMB-HC that has a native SMB-HC device driver.

The Smart Battery System Manager provides a standard programming model to control multiple Smart Batteries in a Smart Battery subsystem. A Smart Battery System Manager provides the following types of battery management functions:

- Event notification for battery insertion and removal
- Event notification for AC power connected or disconnected
- Status of which Smart Battery is communicating with the SMB-HC
- Status of which Smart Battery(s) are powering the system
- Status of which Smart Battery(s) are connected to the charger
- Status of which Smart Batteries are present in the system
- Event notification when the Smart Battery System Manager switches from one power source to another
- Hardware-switching to an alternate Smart Battery when the Smart Battery supplying power runs low
- Hardware switching between battery-powered and AC-powered operation

The Smart Battery System Manager function can reside in a standalone SMBus slave device (Smart Battery System Manager that responds to the 0xA slave address), may be present within a smart charger device (Smart Battery Charger that responds to the 0x9 slave address), or may be combined within the embedded controller (that responds to the 0xA slave address). If both a Smart Battery Charger and a standalone Smart Battery System Manager are present in the same Smart Battery subsystem, then the driver assumes that the standalone Smart Battery System Manager is wired to the batteries.

The Smart Battery charger is an SMBus device that provides a standard programming model to control the charging of Smart Batteries present in a Smart Battery subsystem. For single battery systems, the Smart Battery Charger is also responsible for notifying the system of the battery and AC status.

The Smart Battery provides intelligent chemistry-independent power to the system. The Smart Battery is capable of informing the Smart Battery charger of its charging requirements (which provides chemistry independence) and providing battery status and alarm features needed for platform battery management.

### 10.1.1 ACPI Smart Battery Status Change Notification Requirements

The Smart Battery System Manager, the Smart Battery Selector, and the Smart Battery Charger each have an optional mechanism for notifying the system that the battery configuration or AC status has changed. ACPI requires that this interrupt mechanism be through the SMBus Alarm Notify mechanism.

For systems using an embedded controller as the SMBus host, a battery system device issues a status change notification by either mastering the SMBus to send the notification directly to the SMBus host, or by emulating it in the embedded controller. In either case, the process is the same. After the notification is received or emulated, the embedded controller asserts an SCI. The source of the SCI is identified by a GPE that indicates the SCI was caused by the embedded controller. The embedded controller's status register alarm bit is set, indicating that the SMBus host received an alarm message. The Alarm Address Register contains the address of the SMBus device that originated the alarm and the Alarm Data Registers contain the contents of that device's status register.

#### 10.1.1.1 Smart Battery Charger

This requires a Smart Battery Charger, on a battery or AC status change, to generate an SMBus Alarm Notify. The contents of the Smart Battery Charger's ChargerStatus() command register (0x13) is placed in the embedded controller's Alarm Data Registers, the Smart Battery Charger's slave address<sup>14</sup> (0x09) is placed in the embedded controller's Alarm Address Register and the EC's Status Register's Alarm bit is set. The embedded controller then asserts an SCI.

---

<sup>14</sup> Notice that the 1.0 SMBus protocol specification is ambiguous about the definition of the "slave address" written into the command field of the host controller. In this case, the slave address is actually the combination of the 7-bit slave address and the Write protocol bit. Therefore, bit 0 of the initiating device's slave address is aligned to bit 1 of the host controller's slave command register, bit 1 of the slave address is aligned to bit 2 of the controller's slave command register, and so on.

### 10.1.1.2 Smart Battery Charger with optional System Manager or Selector

A Smart Battery Charger that contains the optional System Manager or Selector function (as indicated by the ChargerSpecInfo() command register, 0x11, bit 4) is required to generate an SMBus Alarm Notify on a battery or AC status change. The content of the Smart Battery Charger with an optional System Manager, the BatterySystemState() command register (0x21) (or in the case of an optional Selector, the SelectorState() (0x01) ), is placed in the EC's Alarm Data Registers, the Smart Battery Charger's slave address (0x09) is placed in the embedded controller's Alarm Address Register, and the embedded controller's Status Register's Alarm bit is set. The embedded controller then asserts an SCI.

### 10.1.1.3 Smart Battery System Manager

The Smart Battery System Manager is required to generate an SMBus Alarm Notify on a battery or AC status change. The content of the Smart Battery System Manager's BatterySystemState() command register (0x01) is placed in the EC's Alarm Data Registers, the Smart Battery System Manager's slave address (0x0A) is placed in the EC's Alarm Address Register, and the embedded controller's Status Register's Alarm bit is set. The embedded controller then asserts an SCI.

### 10.1.1.4 Smart Battery Selector

The requirements for the Smart Battery Selector are the same as the requirements for the Smart Battery System Manager, with the exception that the contents of the SelectorState() command register (0x01) are used instead of BatterySystemState(). The Smart Battery Selector is a subset of the Smart Battery System Manager and does not have the added support for simultaneous charge/discharge of multiple batteries. The System Manager is the preferred implementation.

## 10.1.2 Smart Battery Objects

The Smart Battery subsystem requires a number of objects to define its interface. These are summarized below:

**Table 10-2 Smart Battery Objects**

Object	Description
_HID	This is the hardware ID named object that contains a string. For Smart Battery subsystems, this object returns the value of "ACPI0002." This identifies the Smart Battery subsystem to the Smart Battery driver.
_SBS	This is the Smart Battery named object that contains a DWORD. This named object returns the configuration of the Smart Battery.

### 10.1.3 \_SBS (Smart Battery Subsystem)

The \_SBS control method returns the configuration of the Smart Battery subsystem. This named object returns a DWORD value with a number from 0 to 4. If the number of batteries is greater than 0, then the Smart Battery driver assumes that a Smart Battery System Manager or Smart Battery Selector is present. If 0, then the Smart Battery driver assumes a single Smart Battery and neither a Smart Battery System Manager nor Smart Battery Selector is present.

The DWORD returned by \_SBS is encoded as follows:

- 0 – Maximum of one Smart Battery and no Smart Battery System Manager or Smart Battery Selector.
- 1 – Maximum of one Smart Battery and a Smart Battery System Manager or Smart Battery Selector.
- 2 – Maximum of two Smart Batteries and a Smart Battery System Manager or Smart Battery Selector.
- 3 – Maximum of three Smart Batteries and a Smart Battery System Manager or Smart Battery Selector.
- 4 – Maximum of four Smart Batteries and a Smart Battery System Manager or Smart Battery Selector.

Arguments:

None

Return Value:An **Integer** containing the Smart Battery subsystem configuration:

- 0 – Maximum 1 Smart Battery, system manager/selector not present
- 1 – Maximum 1 Smart Battery, system manager/selector present
- 2 – Maximum 2 Smart Batteries, system manager/selector present
- 3 – Maximum 3 Smart Batteries, system manager/selector present
- 4 – Maximum 4 Smart Batteries, system manager/selector present

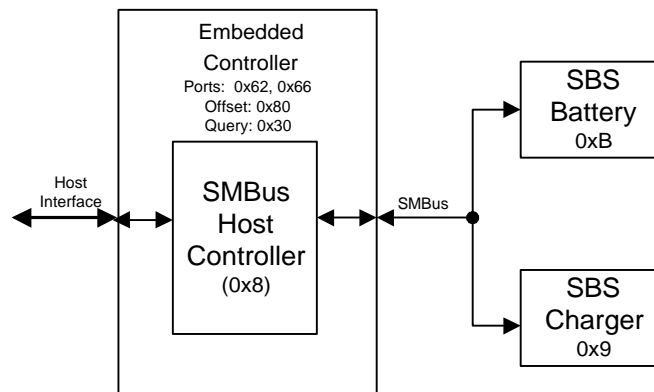
The maximum number of batteries is for the entire system. Therefore, if the platform is capable of supporting four batteries, but only two are normally present in the system, then this field should return 4. Notice that a value of 0 indicates a maximum support of one battery and there is no Smart Battery System Manager or Smart Battery Selector present in the system

As the SMBus is not an enumerable bus, all devices on the bus must be declared in the ACPI name-space. As the Smart Battery driver understands Smart Battery, Smart Battery Charger, and Smart Battery System Manager or Smart Battery Selector; only a single device needs to be declared per Smart Battery subsystem. The driver gets information about the subsystem through the hardware ID (which defines a Smart Battery subsystem) and the number of Smart Batteries supported on this subsystem (\_SBS named object). The ACPI Smart Battery table indicates the energy levels of the platform at which the system should warn the user and then enter a sleeping state. The Smart Battery driver then reflects these as threshold alarms for the Smart Batteries.

A Smart Battery device declaration in the ACPI namespace requires the \_GLK object if potentially contentious accesses to device resources are performed by non-OS code. See section 6.5.7, “\_GLK (Global Lock),” for details about the \_GLK object.

### 10.1.3.1 Example: Single Smart Battery Subsystem

This section illustrates how to define a Smart Battery subsystem containing a single Smart Battery and charger. The platform implementation is illustrated below:



**Figure 10-2 Single Smart Battery Subsystem**

In this example, the platform is using an SMB-HC that resides within the embedded controller and meets the ACPI standard for an embedded controller interface and SMB-HC interface. The embedded controller interface sits at system I/O port addresses 0x62 and 0x66. The SMB-HC is at base address 0x80 within embedded controller address space (as defined by the ACPI embedded controller specification) and responds to events on query value 0x30.

In this example the Smart Battery subsystem only supports a single Smart Battery. The ASL code for describing this interface is shown below:

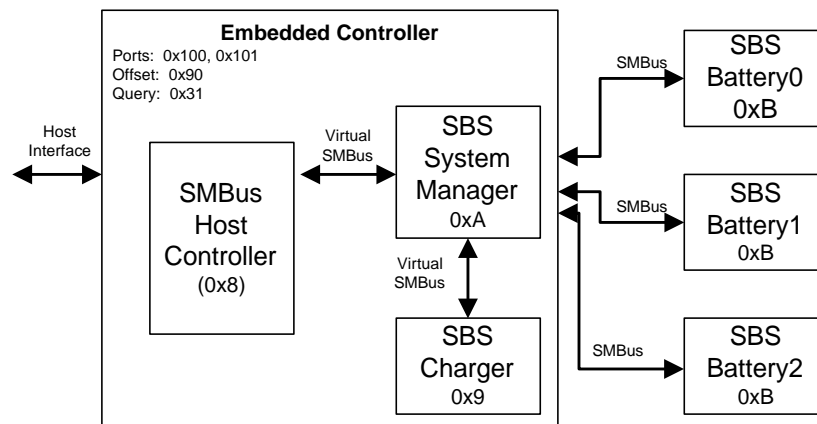
```

Device (EC0) {
  Name (_HID, EISAID("PNP0C09"))
  Name (_CRS,
    ResourceTemplate () { // port 0x62 and 0x66
      IO (Decode16, 0x62, 0x62, 0, 1),
      IO (Decode16, 0x66, 0x66, 0, 1)
    }
  )
  Name (_GPE, 0)
  Device (SMB0) {
    Name (_HID, "ACPI0001") // Smart Battery Host Controller
    Name (_EC, 0x8030) // EC offset (0x80), Query (0x30)
    Device (SBS0) { // Smart Battery Subsystem
      Name (_HID, "ACPI0002") // Smart Battery Subsystem ID
      Name (_SBS, 0x1) // Indicates support for one battery
    } // end of SBS0
  } // end of SMB0
} // end of EC

```

### 10.1.3.2 Multiple Smart Battery Subsystem: Example

This section illustrates how to define a Smart Battery subsystem that contains three Smart Batteries, a Smart Battery System Manager, and a Smart Battery Charger. The platform implementation is illustrated below:



**Figure 10-3 Smart Battery Subsystem**

In this example, the platform is using an SMB-HC that resides within the embedded controller and meets the ACPI standard for an embedded controller interface and SMB-HC interface. The embedded controller interface sits at system I/O port addresses 0x100 and 0x101. The SMB-HC resides at base address 0x90 within embedded controller address space (as defined by the ACPI embedded controller specification) and responds to events on query value 0x31.

In this example the Smart Battery subsystem supports three Smart Batteries. The Smart Battery Charger and Smart Battery System Manager reside within the embedded controller, meet the Smart Battery System Manager and Smart Battery Charger interface specification, and respond to their 7-bit addresses (0xA and 0x9 respectively). The ASL code for describing this interface is shown below:



```

Device (EC1) {
Name (_HID, EISAID("PNP0C09"))
  Name (_CRS,
    ResourceTemplate () { // port 0x100 and 0x101
      IO(Decode16, 0x100, 0x100, 0, 2)
    }
  )
  Name (_GPE, 1)
  Device (SMB1) {
    Name (_HID, "ACPI0001") // Smart Battery Host Controller
    Name (_EC, 0x9031) // EC offset (0x90), Query (0x31)
    Device (SBS1){ // Smart Battery Subsystem
      Name (_HID, "ACPI0002") // Smart Battery Subsystem ID
      Name (_SBS, 0x3) // Indicates support for three batteries
    } // end of SBS1
  } // end of SMB1
} // end of EC

```

## 10.2 Control Method Batteries

The following section illustrates the operation and definition of the Control Method Battery.

### 10.2.1 Battery Events

The AML code handling an SCI for a battery event notifies the system of which battery's status may have changed. The OS uses the `_BST` control method to determine the current status of the batteries and what action, if any, should be taken (for more information about the `_BST` control method, see section 10.2.2, "Battery Control Methods"). The typical action is to notify applications monitoring the battery status to provide the user with an up-to-date display of the system battery state. But in some cases, the action may involve generating an alert or even forcing a system into a sleeping state. In any case, any changes in battery status should generate an SCI in a timely manner to keep the system power state UI consistent with the actual state of the system battery (or batteries).

Unlike most other devices, when a battery is inserted or removed from the system, the device itself (the battery bay) is still considered to be present in the system. For most systems, the `_STA` for this device will always return a value with bits 0-3 set and will toggle bit 4 to indicate the actual presence of a battery (see section 6.3.7, "`_STA` [Status]"). When this insertion or removal occurs, the AML code handler for this event should issue a **Notify**(*battery\_device*, 0x81) to indicate that the static battery information has changed. For systems that have battery slots in a docking station or batteries that cannot be surprise-removed, it may be beneficial or necessary to indicate that the entire device has been removed. In this case, the standard methods and notifications described in section 6.3, "Device Insertion, Removal, and Status Objects," should be used.

When the present state of the battery has changed or when the trip point set by the `_BTP` control method is reached or crossed, the hardware will assert a general purpose event. The AML code handler for this event issues a **Notify**(*battery\_device*, 0x80) on the battery device. This notification is also sent when the Status Flags returned from `_BMD` change.

In the case where the remaining battery capacity becomes critically low, the AML code handler issues a **Notify**(*battery\_device*, 0x80) and reports the battery critical flag in the `_BST` object. The OS performs an emergency shutdown. For a full description of the critical battery state, see section 3.9.4, "Low Battery Levels."

Sometimes the value to be returned from `_BST` or `_BIF` will be temporarily unknown. In this case, the method may return the value 0xFFFFFFFF as a placeholder. When the value becomes known, the appropriate notification (0x80 for `_BST` or 0x81 for `BIF`) should be issued, in like manner to any other change in the data returned by these methods. This will cause OSPM to re-evaluate the method—obtaining the correct data value.

When one or more of the status flags returned by the `_BMD` control method change, AML code issues a **Notify**(*battery\_device*, 0x82) on the battery device unless this change occurs during a call to `_BMC` and the value of the status flags in `_BMD` match the value passed in to `_BMC`. If the value of the status bits cannot be set to reflect the action requested by the executing `_BMC`, the AML code will issue this notification. For example, calling `_BMC` with bit 0 set to initiate a calibration cycle while AC power is not available will cause AML to issue a **Notify**(*battery\_device*, 0x82).

## 10.2.2 Battery Control Methods

The Control Method Battery is a battery with an AML code interface between the battery and the host PC. The battery interface is completely accessed by AML code control methods, allowing the OEM to use any type of battery and any kind of communication interface supported by ACPI. OSPM requires accurate battery data to perform optimal power management policy and to provide the end user with a meaningful estimation of remaining battery life. As such, control methods that return battery information should calculate this information rather than return hard coded data.

A Control Method Battery is described as a device object. Each device object supporting the Control Method Battery interface contains the following additional control methods. When there are two or more batteries in the system, each battery will have an independent device object in the namespace.

**Table 10-3 Battery Control Methods**

Object	Description
<code>_BIF</code>	Returns static information about a battery (in other words, model number, serial number, design voltage, and so on).
<code>_BIX</code>	Returns extended static information about a battery (in other words, model number, serial number, design voltage, and so on).
<code>_OSC</code>	OSPM Capabilities conveyance for batteries.
<code>_BMA</code>	Sets the averaging interval of the battery capacity measurement, in milliseconds.
<code>_BMS</code>	Sets the sampling time of the battery capacity measurement, in milliseconds.
<code>_BST</code>	Returns the current battery status (in other words, dynamic information about the battery, such as whether the battery is currently charging or discharging, an estimate of the remaining battery capacity, and so on).
<code>_BTP</code>	Sets the Battery Trip point, which generates an SCI when battery capacity reaches the specified point.
<code>_PCL</code>	List of pointers to the device objects representing devices powered by the battery.
<code>_STA</code>	Returns general status of the battery (for a description of the <code>_STA</code> control method, see section 6.3.7, “ <code>_STA (Status]</code> ”).
<code>_BTM</code>	Returns battery estimated runtime at the present average rate of drain, or the runtime at a specified rate.
<code>_BCT</code>	Returns battery estimated charging time.
<code>_BMD</code>	Returns battery information related to battery recalibration and charging control.
<code>_BMC</code>	Control calibration and charging.

A Control Method Battery device declaration in the ACPI namespace requires the `_GLK` object if potentially contentious accesses to device resources are performed by non-OS code. See section 6.5.7, “`_GLK (Global Lock)`,” for details about the `_GLK` object.

### 10.2.2.1 \_BIF (Battery Information)

This object returns the static portion of the Control Method Battery information. This information remains constant until the battery is changed. This object is deprecated in ACPI 4.0. The \_BIX object provides expanded battery information and includes all of the information provide by \_BIF. See Section 10.2.2.2, “Battery Information Extended”).

**Arguments:**

None

**Return Value:**

A **Package** containing the battery information as described below

**Return Value Information:**

\_BIF returns a package in the format below

```
Package {
    Power Unit                // Integer (DWORD)
    Design Capacity           // Integer (DWORD)
    Last Full Charge Capacity // Integer (DWORD)
    Battery Technology        // Integer (DWORD)
    Design Voltage            // Integer (DWORD)
    Design Capacity of Warning // Integer (DWORD)
    Design Capacity of Low    // Integer (DWORD)
    Battery Capacity Granularity 1 // Integer (DWORD)
    Battery Capacity Granularity 2 // Integer (DWORD)
    Model Number              // String (ASCII)
    Serial Number              // String (ASCII)
    Battery Type               // String (ASCII)
    OEM Information            // String (ASCII)
}
```

**Table 10-4 \_BIF Return Package Values**

Field	Format	Description
Power Unit	<b>Integer</b> (DWORD)	Indicates the units used by the battery to report its capacity and charge/discharge rate information to the OS. 0x00000000 – Capacity information is reported in [mWh] and charge/discharge rate information in [mW]. 0x00000001 – Capacity information is reported in [mAh] and charge/discharge rate information in [mA].
Design Capacity	<b>Integer</b> (DWORD)	Battery’s design capacity. Design Capacity is the nominal capacity of a new battery. The <i>Design Capacity</i> value is expressed as power [mWh] or current [mAh] depending on the <i>Power Unit</i> value. 0x00000000 – 0x7FFFFFFF (in [mWh] or [mAh] ) 0xFFFFFFFF – Unknown design capacity
Last Full Charge Capacity	<b>Integer</b> (DWORD)	Predicted battery capacity when fully charged. The <i>Last Full Charge Capacity</i> value is expressed as power (mWh) or current (mAh) depending on the <i>Power Unit</i> value. 0x00000000h – 0x7FFFFFFF (in [mWh] or [mAh] ) 0xFFFFFFFF – Unknown last full charge capacity
Battery Technology	<b>Integer</b> (DWORD)	0x00000000 – Primary (for example, non-rechargeable) 0x00000001 – Secondary (for example, rechargeable)
Design Voltage	<b>Integer</b> (DWORD)	Nominal voltage of a new battery. 0x00000000 – 0x7FFFFFFF in [mV] 0xFFFFFFFF – Unknown design voltage

Field	Format	Description
Design capacity of Warning	<b>Integer</b> (DWORD)	OEM-designed battery warning capacity. See section 3.9.4, “Low Battery Levels.” 0x000000000 – 0x7FFFFFFF in [mWh] or [mAh]
Design Capacity of Low	<b>Integer</b> (DWORD)	OEM-designed low battery capacity. See section 3.9.4, “Low Battery Levels.” 0x000000000 – 0x7FFFFFFF in [mWh] or [mAh]
Battery Capacity Granularity 1	<b>Integer</b> (DWORD)	Battery capacity granularity between low and warning in [mAh] or [mWh]. That is, this is the smallest increment in capacity that the battery is capable of measuring. See note below for more details
Battery Capacity Granularity 2	<b>Integer</b> (DWORD)	Battery capacity granularity between warning and Full in [mAh] or [mWh]. That is, this is the smallest increment in capacity that the battery is capable of measuring. This may be a different value than Battery Capacity Granularity 1 to accommodate systems where the granularity accuracy may change depending on the battery level. See note below for more details.
Model Number	<b>String</b> (ASCIIZ)	OEM-specific Control Method Battery model number
Serial Number	<b>String</b> (ASCIIZ)	OEM-specific Control Method Battery serial number
Battery Type	<b>String</b> (ASCIIZ)	The OEM-specific Control Method Battery type
OEM Information	<b>String</b> (ASCIIZ)	OEM-specific information for the battery that the UI uses to display the OEM information about the Battery. If the OEM does not support this information, this field should contain a NULL string.

**Additional Notes:**

- A secondary-type battery should report the corresponding capacity (except for Unknown).
- On a multiple-battery system, all batteries in the system should return the same granularity.
- Operating systems prefer these control methods to report data in terms of power (watts).
- On a multiple-battery system, all batteries in the system must use the same power unit.
- The definition of battery capacity granularity has been clarified. For OSPM to determine if systems support the clarified definition of battery capacity granularity, OSPM may evaluate an \_OSC method at the battery scope to indicate support for this capability, and for the platform to indicate if it supports these extended capabilities.

**10.2.2.2 \_BIX (Battery Information Extended)**

The \_BIX object returns the static portion of the Control Method Battery information. This information remains constant until the battery is changed. The \_BIX object returns all information available via the \_BIF object plus additional battery information. The \_BIF object is deprecated in lieu of \_BIX in ACPI 4.0.

**Arguments:**

None

**Return Value:**

A **Package** containing the battery information as described below

**Return Value Information:**

\_BIX returns a package in the format below

```
Package {
  // ASCIIZ is ASCII character string terminated with a 0x00.
  Revision //Integer
  Power Unit //Integer (DWORD)
  Design Capacity //Integer (DWORD)
  Last Full Charge Capacity //Integer (DWORD)
  Battery Technology //Integer (DWORD)
  Design Voltage //Integer (DWORD)
  Design Capacity of Warning //Integer (DWORD)
  Design Capacity of Low //Integer (DWORD)
  Cycle Count //Integer (DWORD)

  Measurement Accuracy //Integer (DWORD)
  Max Sampling Time //Integer (DWORD)
  Min Sampling Time //Integer (DWORD)
  Max Averaging Interval //Integer (DWORD)
  Min Averaging Interval //Integer (DWORD)

  Battery Capacity Granularity 1 //Integer (DWORD)
  Battery Capacity Granularity 2 //Integer (DWORD)
  Model Number //String (ASCIIZ)
  Serial Number //String (ASCIIZ)
  Battery Type //String (ASCIIZ)
  OEM Information //String (ASCIIZ)
}
```

**Table 10-5 \_BIX Return Package Values**

Field	Format	Description
Revision	<b>Integer</b>	Current revision is: 0
Power Unit	<b>Integer</b> (DWORD)	Indicates the units used by the battery to report its capacity and charge/discharge rate information to the OS. 0x00000000 – Capacity information is reported in [mWh] and charge/discharge rate information in [mW]. 0x00000001 – Capacity information is reported in [mAh] and charge/discharge rate information in [mA].
Design Capacity	<b>Integer</b> (DWORD)	Battery's design capacity. Design Capacity is the nominal capacity of a new battery. The <i>Design Capacity</i> value is expressed as power [mWh] or current [mAh] depending on the <i>Power Unit</i> value. 0x00000000 – 0x7FFFFFFF (in [mWh] or [mAh] ) 0xFFFFFFFF – Unknown design capacity
Last Full Charge Capacity	<b>Integer</b> (DWORD)	Predicted battery capacity when fully charged. The <i>Last Full Charge Capacity</i> value is expressed as power (mWh) or current (mAh) depending on the <i>Power Unit</i> value. 0x00000000h – 0x7FFFFFFF (in [mWh] or [mAh] ) 0xFFFFFFFF – Unknown last full charge capacity
Battery Technology	<b>Integer</b> (DWORD)	0x00000000 – Primary (for example, non-rechargeable) 0x00000001 – Secondary (for example, rechargeable)
Design Voltage	<b>Integer</b> (DWORD)	Nominal voltage of a new battery. 0x00000000 – 0x7FFFFFFF in [mV] 0xFFFFFFFF – Unknown design voltage

Field	Format	Description
Design capacity of Warning	<b>Integer</b> (DWORD)	OEM-designed battery warning capacity. See section 3.9.4, “Low Battery Levels.” 0x000000000 – 0x7FFFFFFF in [mWh] or [mAh]
Design Capacity of Low	<b>Integer</b> (DWORD)	OEM-designed low battery capacity. See section 3.9.4, “Low Battery Levels.” 0x000000000 – 0x7FFFFFFF in [mWh] or [mAh]
Battery Capacity Granularity 1	<b>Integer</b> (DWORD)	Battery capacity granularity between low and warning in [mAh] or [mWh]. That is, this is the smallest increment in capacity that the battery is capable of measuring. See note below for more details
Battery Capacity Granularity 2	<b>Integer</b> (DWORD)	Battery capacity granularity between warning and Full in [mAh] or [mWh]. That is, this is the smallest increment in capacity that the battery is capable of measuring. This may be a different value than Battery Capacity Granularity 1 to accommodate systems where the granularity accuracy may change depending on the battery level. See note below for more details.
Cycle Count	<b>Integer</b> (DWORD)	The number of cycles the battery has experienced. A cycle is defined as: An amount of discharge approximately equal to the value of Design Capacity. 0x000000000 – 0xFFFFFFF 0xFFFFFFF – Unknown cycle count
Measurement Accuracy	<b>Integer</b> (DWORD)	The accuracy of the battery capacity measurement, in thousandth of a percent. (0% - 100.000%) For example, The value 80000 would mean 80% accuracy.
Max Sampling Time	<b>Integer</b> (DWORD)	The sampling time is the duration between two consecutive measurements of the battery’s capacities specified in _BST, such as present rate and remaining capacity. If the OSPM makes two succeeding readings through _BST beyond the duration, two different results will be returned. The Max Sampling Time is the maximum sampling time the battery can support, in milliseconds. 0xFFFFFFF is returned if the information is unavailable.
Min Sampling Time	<b>Integer</b> (DWORD)	The Min Sampling Time is the minimum sampling time the battery can support, in milliseconds. 0xFFFFFFF is returned if the information is unavailable.
Max Averaging Interval	<b>Integer</b> (DWORD)	The Average Interval is the length of time (in milliseconds) within which the battery averages the capacity measurements specified in _BST, such as remaining capacity and present rate. The Sampling time specifies the frequency of measurements, and the average interval specifies the width of the time window of every measurement. This field indicates the maximum Average Interval that the battery supports.
Min Averaging Interval	<b>Integer</b> (DWORD)	This field indicates the minimum Average Interval that the battery supports

Field	Format	Description
Model Number	<b>String</b> (ASCIIZ)	OEM-specific Control Method Battery model number
Serial Number	<b>String</b> (ASCIIZ)	OEM-specific Control Method Battery serial number
Battery Type	<b>String</b> (ASCIIZ)	The OEM-specific Control Method Battery type
OEM Information	<b>String</b> (ASCIIZ)	OEM-specific information for the battery that the UI uses to display the OEM information about the Battery. If the OEM does not support this information, this field should contain a NULL string.

**Notes:**

- A secondary-type battery should report the corresponding capacity (except for Unknown).
- On a multiple-battery system, all batteries in the system should return the same granularity.
- Operating systems prefer these control methods to report data in terms of power (watts).
- On a multiple-battery system, all batteries in the system must use the same power unit.
- The definition of battery capacity granularity has been clarified. For OSPM to determine if systems support the clarified definition of battery capacity granularity, OSPM may evaluate an `_OSC` method at the battery scope to indicate support for this capability, and for the platform to indicate if it supports these extended capabilities.

### 10.2.2.3 **\_OSC Definition for Control Method Battery**

\_OSC for control method battery is uniquely identified by the UUID:

**F18FC78B-0F15-4978-B793-53F833A1D35B**

The Revision 1 capabilities described under this \_OSC are defined in Table 10-6.

**Table 10-6 Control Method Battery \_OSC Capabilities DWORD2 Bit Definitions**

Capabilities DWORD2 bits	Interpretation
0	0 – OS does not support revised battery granularity definition. 1 – OS supports revised battery granularity definition.
1	0 – OS does not support specifying wake on low battery user preference. 1 – OS supports specifying wake on low battery user preference, See section 9.1.3, “_BLT Battery Level Threshold) for more information.
2-31	<i>Reserved</i>

Bits defined in Capabilities DWORD2 provide information regarding OS supported features. Contents in DWORD2 are passed one-way; the OS will disregard the corresponding bits of DWORD2 in the Return Code.

### 10.2.2.4 **\_BMA (Battery Measurement Averaging Interval)**

This object is used to set the averaging interval of the battery capacity measurement, in milliseconds.

The Battery Measurement Averaging Interval is the length of time within which the battery averages the capacity measurements specified in \_BST, such as remaining capacity and present rate.

The OSPM may read the Max Average Interval and Min Average Interval with \_BIX during boot time, and set a specific average interval within the range with \_BMA.

Arguments: (1)

Arg0 – AveragingInterval (**Integer**(DWORD)) the averaging interval of battery capacity measurement:  
0x00000001 – 0xFFFFFFFF (in units of millisecond)

Return Value:

An **Integer** (DWORD) containing a result code as follows:  
0x00000000 – Success.  
0x00000001 – Failure to set Battery Measurement Averaging Interval because it is out of the battery’s measurement capability.  
0x00000002 – 0xFFFFFFFF – Reserved.

### 10.2.2.5 **\_BMS (Battery Measurement Sampling Time)**

This object is used to set the sampling time of the battery capacity measurement, in milliseconds.

The Sampling Time is the duration between two consecutive measurements of the battery’s capacities specified in \_BST, such as present rate and remaining capacity. If the OSPM makes two succeeding readings through \_BST beyond the duration, two different results will be returned.

The OSPM may read the Max Sampling Time and Min Sampling Time with \_BIX during boot time, and set a specific sampling time within the range with \_BMS.

Arguments: (1)

Arg0 – SamplingTime (**Integer**(DWORD)) the sampling time of battery capacity measurement:  
0x00000001 – 0xFFFFFFFF (in units of millisecond)



Return Value:

An **Integer** (DWORD) containing a result code as follows:

0x00000000 – Success.

0x00000001 – Failure to set Battery Measurement Sampling Time because it is out of the battery’s measurement capability.

0x00000002 – 0xFFFFFFFF – Reserved.

**10.2.2.6 \_BST (Battery Status)**

This object returns the present battery status. Whenever the *Battery State* value changes, the system will generate an SCI to notify the OS.

Arguments:

None

Return Value:

A **Package** containing the battery status as described below

**Return Value Information:**

\_BST returns a package in the format below

```
Package {
    Battery State                // Integer (DWORD)
    Battery Present Rate         // Integer (DWORD)
    Battery Remaining Capacity   // Integer (DWORD)
    Battery Present Voltage      // Integer (DWORD)
}
```

**Table 10-7 \_BST Return Package Values**

Element	Format	Description
Battery State	<b>Integer</b> (DWORD)	Bit values. Notice that the <i>Charging</i> bit and the <i>Discharging</i> bit are mutually exclusive and must not both be set at the same time. Even in critical state, hardware should report the corresponding charging/discharging state.  Bit0 – 1 indicates the battery is discharging. Bit1 – 1 indicates the battery is charging. Bit2 – 1 indicates the battery is in the critical energy state (see section 3.9.4, “Low Battery Levels”). This does not mean battery failure.
Battery Present Rate	<b>Integer</b> (DWORD)	Returns the power or current being supplied or accepted through the battery’s terminals (direction depends on the <i>Battery State</i> value). The <i>Battery Present Rate</i> value is expressed as power [mWh] or current [mAh] depending on the <i>Power Unit</i> value.  Batteries that are rechargeable and are in the discharging state are required to return a valid <i>Battery Present Rate</i> value.  0x00000000 – 0x7FFFFFFF in [mW] or [mA] 0xFFFFFFFF – Unknown rate
Battery Remaining Capacity	<b>Integer</b> (DWORD)	Returns the estimated remaining battery capacity. The <i>Battery Remaining Capacity</i> value is expressed as power [mWh] or current [mAh] depending on the <i>Power Unit</i> value.  Batteries that are rechargeable are required to return a valid <i>Battery Remaining Capacity</i> value.  0x00000000 – 0x7FFFFFFF in [mWh] or [mAh] 0xFFFFFFFF – Unknown capacity

Element	Format	Description
Battery Present Voltage	<b>Integer</b> (DWORD)	Returns the voltage across the battery's terminals. Batteries that are rechargeable must report <i>Battery Present Voltage</i> . 0x00000000 – 0x7FFFFFFF in [mV] 0xFFFFFFFF – Unknown voltage <b>Note:</b> Only a primary battery can report unknown voltage.

Notice that when the battery is a primary battery (a non-rechargeable battery such as an Alkaline-Manganese battery) and cannot provide accurate information about the battery to use in the calculation of the remaining battery life, the Control Method Battery can report the percentage directly to OS. It does so by reporting the Last Full Charged Capacity =100 and BatteryPresentRate=0xFFFFFFFF. This means that Battery Remaining Capacity directly reports the battery's remaining capacity [%] as a value in the range 0 through 100 as follows:

$$\text{Remaining Battery Percentage[\%]} = \frac{\text{Battery Remaining Capacity [=0 ~ 100]}}{\text{Last Full Charged Capacity [=100]}} * 100$$

$$\text{Remaining Battery Life [h]} = \frac{\text{Battery Remaining Capacity [mAh/mWh]}}{\text{Battery Present Rate [=0xFFFFFFFF]}} = \text{unknown}$$

### 10.2.2.7 **\_BTP (Battery Trip Point)**

This object is used to set a trip point to generate an SCI whenever the *Battery Remaining Capacity* reaches or crosses the value specified in the *\_BTP* object. Specifically, if *Battery Remaining Capacity* is less than the last argument passed to *\_BTP*, a notification must be issued when the value of *Battery Remaining Capacity* rises to be greater than or equal to this trip-point value. Similarly, if *Battery Remaining Capacity* is greater than the last argument passed to *\_BTP*, a notification must be issued when the value of *Battery Remaining Capacity* falls to be less than or equal to this trip-point value. The last argument passed to *\_BTP* will be kept by the system.

If the battery does not support this function, the *\_BTP* control method is not located in the namespace. In this case, the OS must poll the *Battery Remaining Capacity* value.

#### Arguments: (1)

- Arg0 – An **Integer** containing the new battery trip point
  - 0 – Clear the trip point
  - 1 – 0x7FFFFFFF – New trip point, in units of **mWh** or **mAh** depending on the *Power Units* value

#### Return Value:

None

### 10.2.2.8 **\_BTM (Battery Time)**

This optional object returns the estimated runtime of the battery while it is discharging.

#### Arguments: (1)

- Arg0 – An **Integer** containing the rate at which the battery is expected to discharge
  - 0 – Indicates that the battery will continue discharging at the current rate. The rate should be based on the average rate of drain, not the current rate of drain.
  - 1 – 0x7FFFFFFF – The discharge rate (in mA or mW)

**Return Value:**

An **Integer** containing the estimated remaining runtime

- 0 – The input discharge rate (Arg0) is too large for the battery or batteries to supply. If the input argument was 0, this value indicates that the battery is critical.
- 1 – 0xFFFFFFFF – Estimated runtime in seconds
- 0xFFFFFFFF – Runtime is unknown

**10.2.2.9 \_BCT (Battery Charge Time)**

When the battery is charging, this optional object returns the estimated time from present to when it is charged to a given percentage of Last Full Charge Capacity.

**Arguments:**

Arg0 – ChargeLevel (**Integer** (DWORD)): The queried charge level in units of percent of Last Full Charge Capacity. For example: 96 refers to 96% of Last Full Charge Capacity. Valid values are 1 – 100 (0x00000001 – 0x00000064).

**Return Value:**

An **Integer** (DWORD) containing a result code as follows:

- 0x00000000 – Specified targeted charging capacity is smaller than the current remaining capacity or larger than 100% of Last Full Charge Capacity.
- 0x00000001 – 0xFFFFFFFF – Estimated charging time in seconds
- 0xFFFFFFFF – Charging time is unknown

**10.2.2.10 \_BMD (Battery Maintenance Data)**

This optional object returns information about the battery's capabilities and current state in relation to battery calibration and charger control features. If the `_BMC` object (defined below) is present under a battery device, this object must also be present. Whenever the *Status Flags* value changes, AML code will issue a **Notify**(*battery\_device*, 0x82). In addition, AML will issue a **Notify**(*battery\_device*, 0x82) if evaluating `_BMC` did not result in causing the *Status Flags* to be set as indicated in that argument to `_BMC`. AML is not required to issue **Notify**(*battery\_device*, 0x82) if the *Status Flags* change while evaluating `_BMC` unless the change does not correspond to the argument passed to `_BMC`.

**Arguments:**

None

**Return Value:**

A **Package** containing the battery maintenance data as described below

**Return Value Information:**

`_BMD` returns a package in the format below

```
Package {
  Status Flags           // Integer (DWORD)
  Capability Flags      // Integer (DWORD)
  Recalibrate Count     // Integer (DWORD)
  Quick Recalibrate Time // Integer (DWORD)
  Slow Recalibrate Time // Integer (DWORD)
}
```

**Table 10-8** \_BMD Return Package Values

Field	Format	Description
Status Flags	<b>Integer</b> (DWORD)	<p>Bit values. Bit0 is mutually exclusive with Bit1 and Bit2. If the charger is being manually controlled, there cannot be an AML controlled calibration cycle.</p> <p>Bit0 – 1 indicates the battery is running an AML controlled calibration cycle            Bit1 – 1 indicates that charging has been disabled.            Bit2 – 1 indicates the battery is configured to discharge while AC power is available.            Bit3 – 1 indicates that the battery should be recalibrated.            Bit4 – 1 indicates that the OS should put the system into standby to speed charging during a calibration cycle. This is optional (based on user preference) if “Slow Recalibrate Time” is not equal to 0x00000000.            Bit5 – Bit31 – reserved.</p>
Capability Flags	<b>Integer</b> (DWORD)	<p>Bit values that describe the capabilities of the battery system. These bits allows a battery system with more limited capabilities to still be calibrated by OSPM.</p> <p>Bit0 – 1 indicates that an AML controlled calibration cycle is supported.            Bit1 – 1 indicates that disabling the charger is supported.            Bit2 – 1 indicates that discharging while running on AC is supported.            Bit3 – 1 indicates that calling _BMC for one battery will affect the state of all batteries in the system. This is for battery systems that cannot control batteries individually.            Bit4 – 1 indicates that calibration should be done by first fully charging the battery and then discharging it. Not setting this bit will indicate that calibration can be done by simply discharging the battery.            Bit4 – Bit31 – reserved.</p>
Recalibrate Count	<b>Integer</b> (DWORD)	<p>This is used by battery systems that can't detect when calibration is required, but wish to recommend that the battery should be calibrated after a certain number of cycles. Counting the number of cycles and partial cycles is done by the OS.</p> <p>0x00000000 – Only calibrate when Status Flag bit 3 is set.            0x00000000 – 0xFFFFFFFF – calibrate battery after detecting this many battery cycles.</p>
Quick Recalibrate Time	<b>Integer</b> (DWORD)	<p>Returns the estimated time it will take to calibrate the battery if the system is put into standby whenever <i>Status Flags</i> Bit4 is set. While the AML controlled calibration cycle is in progress, this returns the remaining time in the calibration cycle.</p> <p>0x00000000 – indicates that standby while calibrating the battery is not supported. The system should remain in S0 until calibration is completed.            0x00000001 – 0xFFFFFFFF – estimated recalibration time in seconds.            0xFFFFFFFF – indicates that the estimated time to recalibrate the battery is unknown.</p>

Field	Format	Description
Slow Recalibrate Time	<b>Integer</b> (DWORD)	Returns the estimated time it will take to calibrate the battery if <i>Status Flag Bit4</i> is ignored. While the AML controlled calibration cycle is in progress, this returns the remaining time in the calibration cycle.  0x00000000 – indicates that battery calibration may not be successful if <i>Status Flags Bit4</i> is ignored.  0x00000001 – 0xFFFFFFFF – estimated recalibration time in seconds.  0xFFFFFFFF – indicates that the estimated time to recalibrate the battery is unknown.

See section 3.9.5, “Battery Calibration” for an overview of Battery Calibration.

The *Capability Flags* and *Recalibration Count* are used to indicate what functions are controlled by AML and what functions are controlled by OSPM as described in section 3.9.5, “Battery Calibration”. If the system does not implement an AML controlled calibration cycle (bit 0), it may indicate using bit 1 and bit 2 that the OS can control a generic calibration cycle without prompting the user to remove the power cord. *Recalibration Count* may be used to indicate that the BIOS cannot determine when calibration should be performed so bit 3 of the *Status Flags* will never be set. In that case, OSPM will attempt to count the number of cycles.

Bit3 is used by systems that do not have individual control over the batteries and can only perform calibration on all batteries in the system at once. On such a system, if one battery requests calibration and another battery does not, the OS may suggest that the user remove the battery that doesn’t need calibration, before initiating the calibration cycle. When this bit is set, reading the Recalibrate Time from either battery should give the time to recalibrate all batteries present in the system.

### 10.2.2.11 \_BMC (Battery Maintenance Control)

This object is used to initiate calibration cycles or to control the charger and whether or not a battery is powering the system. This object is only present under a battery device if the *\_BMD Capabilities Flags* field has bit 0, 1, or 2 set.

#### Arguments: (1)

Arg0 – An **Integer** containing feature control flags

- Bit0 – Set to initiate an AML controlled calibration cycle. Clear to end the calibration cycle
- Bit1 – Set to disable charging. Clear to enable charging
- Bit2 – Set to allow the battery to discharge while AC power is available. Clear to prevent discharging while AC power is available

#### Return Value:

None

See section 3.9.5 for an overview of Battery Calibration.

Evaluating this object with bit0 set will initiate an AML controlled recalibration cycle if *\_BMD* indicates that this is supported. The calibration cycle is controlled by the platform and will typically include disabling the AC adapter and discharging the battery, then charging the battery. While the battery is charging, the BIOS should set Bit4 of the Status flags returned by *\_BMD* if it is possible to put the system into standby during calibration to speed up charging. Evaluating this with Bit0 equal to 0 will abort the calibration cycle if one is in process. If the BIOS determines that the calibration cycle must be aborted (for example AC power is lost), or the calibration completes successfully, the BIOS will end the cycle automatically, clear the *\_BMD Status Flag Bit0*, and send a notify 0x82. While the calibration cycle is in process, the battery will report data normally, so the OS must disable battery alarms.

Bit1 and Bit2 may not be used in conjunction with the AML controlled calibration cycle. Having Bit0 set will override Bit1 and Bit2. Bit1 will prevent the battery from charging even though AC power is connected. Bit2 will allow the system to draw its power from the battery even though AC power is available. When the battery is no longer capable of delivering current, this setting is automatically cleared, and the system will continue running off AC power without interruption. In addition, if AC power is lost this bit will be cleared. When AC power comes back, the OS must set the bit again if the user wants to continue discharging. When the system clears this bit automatically, it will result in a change in the *Status Flags* returned by `_BMD`. This will cause a notify 0x82. Bit1 is only cleared automatically if an AML controlled calibration cycle is initiated.

When a battery is discharging because Bit2 is set, the `_PSR` method of the AC adapter device will report that AC is offline because the system is not running off of the AC adapter. If the batteries are controlled individually (Bit3 of the `_BMD Capabilities Flags`), setting either battery to discharge will cause `_PSR` to report AC offline. If more than one battery in the system has Bit2 set to discharge the battery, it is up to the system to decide which battery to discharge, so only on a system that discharges the batteries one at a time, a battery with Bit2 set may not be discharging if another battery in the system is being discharged.

If Batteries are not controlled individually, calling `_BMC` will initiate calibration, disable charge, and/or allow discharge on all batteries in the system. The state of these batteries will be reflected in the `_BMD Status Flags` for all batteries.

### 10.3 AC Adapters and Power Source Objects

The Power Source objects describe the system's power source. These objects may be defined under a Power Source device which is declared using a hardware identifier (`_HID`) of "**ACPI0003**". Typically there will be a power source device for each physical power supply contained within the system. However, in cases where the power supply is shared, as in a blade server configuration, this may not be possible. Instead the firmware can choose to expose a virtual power supply that represents one or more of the physical power supplies.

**Table 10-9 Power Source Objects**

Object	Description
<code>_PSR</code>	Returns whether this power source device is currently online.
<code>_PCL</code>	List of pointers to devices this power source is powering.
<code>_PIF</code>	Returns static information about a power source.
<code>_PRL</code>	List of pointers to all the other power source devices that belong in the same redundancy group of which the power supply device is a member.

#### 10.3.1 `_PSR` (Power Source)

Returns whether the power source device is currently in use. This can be used to determine if system is running off this power supply or adapter. On mobile systems this will report that the system is not running on the AC adapter if any of the batteries in the system is being forced to discharge. In systems that contains multiple power sources, this object reports the power source's online or offline status.

Arguments:

None

Return Value:

An **Integer** containing the power source status

0 – Off-line (not on AC power)

1 – On-line

### 10.3.2 \_PCL (Power Consumer List)

This object evaluates to a list of pointers, each pointing to a device or a bus powered by the power source device. Pointing to a bus indicates that all devices under the bus are powered by the power source device.

Arguments:

None

Return Value:

A variable-length **Package** containing a list of **References** to devices or buses

### 10.3.3 \_PIF (Power Source Information)

This object returns information about the Power Source, which remains constant until the Power Source is changed. When the power source changes, the platform issues a Notify(0x0) (Bus Check) to the Power Source device to indicate that OSPM must re-evaluate the \_PIF object.

Arguments:

None

Return Value:

A **Package** with the following format:

```
Package {
    Power Source State           // Integer (DWORD)
    Maximum Output Power       // Integer (DWORD)
    Maximum Input Power        // Integer (DWORD)
    Model Number               // String (ASCIIZ)
    Serial Number              // String (ASCIIZ)
    OEM Information            // String (ASCIIZ)
}
```

**Table 10-10 \_PIF Method Result Codes**

Element	Object Type	Description
Power Source State	<b>Integer</b> (DWORD)	Bit values that describe the type of this Power Source. These bits are especially useful in server scenarios.  Bit0 – indicates the power source is a redundant one. If this bit is set, this Power Source device should have a _PRL object.  Bit1 – indicates the power source is being shared across multiple machines.  Bit2 – Bit31 – Reserved.
Maximum Output Power	<b>Integer</b> (DWORD)	The maximum rated output wattage of the power source device. [mW] 0xFFFFFFFF is returned if the information is unavailable.
Maximum Input Power	<b>Integer</b> (DWORD)	The maximum rated input wattage of the power source device. [mW] 0xFFFFFFFF is returned if the information is unavailable.
Model Number	<b>String</b> (ASCIIZ)	OEM-specific Power Source model number. This element is optional and an empty string (a null character) should be used if this is not supported.
Serial Number	<b>String</b> (ASCIIZ)	OEM-specific Power Source serial number. This element is optional and an empty string (a null character) should be used if this is not supported.

Element	Object Type	Description
OEM Information	<b>String</b> (ASCIIZ)	OEM-specific information that the UI uses to display about the Power Source device. This element is optional and a NULL string should be used if this is not supported.

### 10.3.4 \_PRL (Power Source Redundancy List)

This optional object evaluates to a list of Power Source devices that are in the same redundancy grouping as Power Source device under which this object is defined. A redundancy grouping is a group of power supplies that together provide redundancy. For example, on a system that contains two power supplies that each could independently power the system, both power supplies would be part of the same redundancy group. This is used in conjunction with the *Power Source State* values specified by the \_PIF object.

The entries should be in the format of a fully qualified ACPI namespace path.

#### Arguments:

None

#### Return Value:

A variable-length **Package** containing a list of **References** to power source devices. It has the following format:

```
Package {
    Power source[0],          // Reference
    Power source[1],          // Reference
    ...
    Power source[n]          // Reference
}
```

## 10.4 Power Meters

The following section describes Power Metering objects. These objects may be defined under a Power Meter device which is declared using the ACPI000D hardware identifier (\_HID).

**Table 10-11 Power Meter Objects**

Object	Description
_GAI	Gets the averaging interval used by the power meter.
_GHL	Gets the hardware power consumption limit that is enforced by the Power Meter.
_PAI	Sets the power averaging interval used by the Power Meter.
_PMC	Returns Power Meter capabilities.
_PMD	Returns a list of devices whose power consumption is measured by the Power Meter.
_PMM	Returns the power consumption measured by the Power Meter.
_PTP	Sets Power Meter device trip points.
_SHL	Sets the hardware power consumption limit that is enforced by the Power Meter.

### 10.4.1 \_PMC (Power Meter Capabilities)

This object returns the capabilities of a power meter. This information remains constant unless either the power meter's firmware or the BMC hardware changes, at which time the platform is required to send **Notify**(*power\_meter*, 0x80) for the OSPM to re-evaluate \_PMC.



Arguments:

None

Return Value:A **Package** with the following format:

```

Package {
    Supported Capabilities           // Integer (DWORD)
    Measurement Unit                // Integer (DWORD)
    Measurement Type                // Integer (DWORD)
    Measurement Accuracy            // Integer (DWORD)
    Measurement Sampling Time       // Integer (DWORD)
    Minimum Averaging Interval     // Integer (DWORD)
    Maximum Averaging Interval     // Integer (DWORD)
    Hysteresis Margin              // Integer (DWORD)
    Hardware Limit Is Configurable // Boolean (DWORD)
    Min Configurable Hardware Limit // Integer (DWORD)
    Max Configurable Hardware Limit // Integer (DWORD)
    Model Number                   // String
    Serial Number                   // String
    OEM Information                 // String
}

```

**Table 10-12** \_PMC Method Result Codes

Element	Object Type	Description
Supported Capabilities	<b>Integer</b> (DWORD)	A bitmask that represents the capability flags: Bit0 – indicates the power meter supports measurement. Bit1 – indicates the power meter supports trip points. Bit2 – indicates the power meter supports hardware enforced limit. Bit3 – indicates that the power meter supports notifications when the hardware limit is enforced. Bit4 – Bit7 – <i>reserved</i> . Bit8 – indicates the power meter only reports data when discharging. This applies to power meters that are battery-type devices.
Measurement Unit	<b>Integer</b> (DWORD)	The units used by the power meter to report measurement and configure trip points and hardware enforced limits. 0x00000000 – indicates measurements are reported in [mW].
Measurement Type	<b>Integer</b> (DWORD)	The type of measurement the power meter is measuring. A power meter may measure either input or output power, not both. 0x00000000 – indicates the power meter is measuring input power. 0x00000001 – indicates the power meter is measuring output power.
Measurement Accuracy	<b>Integer</b> (DWORD)	The accuracy of the power meter device, in thousandth of a percent. (0% - 100.000%) For example, The value 80000 would mean 80% accuracy.
Measurement Sampling Time	<b>Integer</b> (DWORD)	The sampling time of the power meter device, in milliseconds. This is the minimum amount of time at which the measurement value will change. In other words, the same reading will be returned by _PMM if OSPM makes 2 consecutive reads within a measurement sampling time. 0xFFFFFFFF is returned if the information is unavailable.
Minimum Averaging Interval	<b>Integer</b> (DWORD)	This is the minimum length of time (in milliseconds) within which the power meter firmware is capable of averaging the measurements within it.

Maximum Averaging Interval	<b>Integer</b> (DWORD)	This is the maximum length of time (in milliseconds) within which the power meter firmware is capable of averaging the measurements within it.
Hysteresis Margin	<b>Integer</b> (DWORD)	The margin used by the BMC for hysteresis, in the unit of [Measurement Unit / Measurement Sampling Time]. This indicates the margin built around the trip points and hardware limit notifications. This margin prevents unnecessary notifies to the OSPM when the reading is fluctuating very close to one of the trip points or the hardware limit. 0xFFFFFFFF is returned if the information is unavailable.
Hardware Limit Is Configurable	<b>Integer</b> (DWORD)	This boolean value represents whether hardware enforced limit is configurable by the OSPM. 0x00000000 (zeros) – indicates the limit is read-only. 0xFFFFFFFF (ones) – indicates the limit is writable.
Minimum Configurable Hardware Limit	<b>Integer</b> (DWORD)	The minimum value that can be configured into the hardware enforced limit, expressed in the units as specified by Measurement Unit.
Maximum Configurable Hardware Limit	<b>Integer</b> (DWORD)	The maximum value that can be configured into the hardware enforced limit, expressed in the units as specified by Measurement Unit.
Model Number	<b>String</b> (ASCIIZ)	OEM-specific Power meter model number. This element is optional and an empty string (a null character) should be used if this is not supported.
Serial Number	<b>String</b> (ASCIIZ)	OEM-specific Power meter serial number. This element is optional and an empty string (a null character) should be used if this is not supported.
OEM Information	<b>String</b> (ASCIIZ)	OEM-specific information that the UI uses to display about the Power meter device. This element is optional and a NULL string should be used if this is not supported.

### 10.4.2 \_PTP (Power Trip Points)

This object sets the upper and lower trip points for the power meter device. These 2 trip points define a hysteresis range for which the OSPM can tolerate without re-reading the current measurement via `_PMM`. When the power meter draw goes outside the range, a `Notify(power_meter, 0x81)` should be sent to notify the OSPM, at which time the OSPM should re-evaluate `_PMM` and also set a pair of trip points around the newest reading. If the latest value measured by the power meter is outside of the range defined by the trip points by the time `_PTP` is called, a result code is returned.

#### Arguments: (2)

Arg0 (**Integer**) : Upper Trip Point

Arg1 (**Integer**) : Lower Trip Point

#### Return Value:

An **Integer** containing the status of the operation:

0x00000000 – Success

0x00000001 – Failure to set trip points because latest measurement is out of range

0x00000002 – Failure to set trip points due to hardware timeout

0x00000003 – Failure to set trip points due to unknown hardware error

0x00000004 – 0xFFFFFFFF - Reserved

### 10.4.3 **\_PMM (Power Meter Measurement)**

This object returns the latest measurement reading from the power meter device. The value returned represents real power (i.e. power factor is included in the value). In most cases this is a rolling average value that is computed by the firmware over an averaging interval. On systems where this interval can be configured, the `_PAI` object should be present under the power meter device (see 10.4.4).

Arguments:

None

Return Value:

An **Integer** is returned to represent the latest measurement reading from the power meter device. This value should be in the unit specified in the power meter capabilities (typically in milliwatts), and is required to be the RMS value if the power meter is measuring in AC. If an error occurs while obtaining the meter reading or if the value is not available then an Integer with all bits set is returned.

### 10.4.4 **\_PAI (Power Averaging Interval)**

This object sets the averaging interval used by the power meter. The averaging interval is the total time the power meter will take instantaneous measurement samples for, before averaging them to produce the average power measurement as returned by `_PMM`. If the platform changes the averaging interval independently from OSPM, the platform must issue a `Notify(power_meter, 0x84)` to indicate the change to the OSPM. Upon receiving the notification, OSPM evaluates the `_GAI` object to read the new averaging interval.

Arguments: (1)

Arg0 – An **Integer** that represents the desired value OSPM chose to be the power averaging interval, in milliseconds. This value needs to be within the minimum and maximum averaging interval as specified by `_PMC`. Otherwise, a failure result code is returned.

Return Value:

An **Integer** containing the status of the operation:

- 0x00000000 – Success
- 0x00000001 – Failure to set power averaging interval because it is out of range
- 0x00000002 – Failure to set power averaging interval due to hardware timeout
- 0x00000003 – Failure to set power averaging interval due to unknown hardware error
- 0x00000004 – 0xFFFFFFFF - Reserved

### 10.4.5 **\_GAI (Get Averaging Interval)**

This object gets the averaging interval used by the power meter. The averaging interval is the total time the power meter will take instantaneous measurement samples for, before averaging them to produce the average power measurement as returned by `_PMM`. If the platform changes the averaging interval independently from OSPM, the platform must issue a `Notify(power_meter, 0x84)` to indicate the change to the OSPM. Upon receiving the notification, OSPM evaluates the `_GAI` object to read the new averaging interval.

Arguments:

None

Return Value:

An **Integer** containing the currently configured power averaging interval, in milliseconds. If an error occurs while obtaining the averaging interval or if the value is not available then an Integer with all bits set is returned.

### 10.4.6 **\_SHL (Set Hardware Limit)**

This object sets the hardware limit enforced by the power meter. This limit, if supported, will be enforced by the circuitry on the platform hardware, to the best of its effort. This value is typically also configurable via other out-of-band management mechanism. When the enforcement happens, the platform should send a **Notify**(*power\_meter*, 0x83) to the OSPM.

Arguments: (1)

Arg0 – An **Integer** value that represent the desired value OSPM chose as the hardware enforced limit of this power meter, in the unit specified in *\_PMC*. This value needs to be within the minimum and maximum hardware limit as specified by *\_PMC*. Otherwise, a failure result code is returned.

Return Value:

An **Integer** containing the status of the operation:

0x00000000 – Success

0x00000001 – Failure to set hardware limit because it is out of range

0x00000002 – Failure to set hardware limit due to the hardware timeout

0x00000003 – Failure to set hardware limit due to unknown hardware error

0x00000004 – 0xFFFFFFFF - Reserved

### 10.4.7 **\_GHL (Get Hardware Limit)**

This object gets the hardware limit enforced by the power meter. This limit can be changed by either the OSPM or by the platform through some out-of-band mechanism. When this value is changed, a **Notify**(*power\_meter*, 0x82) should be sent to notify the OSPM to re-read the hardware limit. If an error occurs while obtaining the hardware limit or if the value is not available then an Integer with all bits set is returned.

Arguments:

None

Return Value:

An **Integer** is returned to represent the currently configured hardware enforced limit of the power meter, in the unit specified in *\_PMC*.

### 10.4.8 **\_PMD (Power Metered Devices)**

This object evaluates to a package of device names. Each name corresponds to a device in the ACPI namespace that is being measured by the power meter device. The measurement reported by the power meter is roughly correspondent to the total power draw of all the devices returned.

If this control method is present, the package needs to contain at least 1 device. On a system that supports power metering, a system power meter that measures the power draw of the entire system should always be present and have a *\_PMD* that contains *\\_SB* as its sole entry.

Arguments:

None

Return Value:

A variable-length **Package** consisting of references to devices being measured by the power meter.

```
Package {
    Power Meter[0]           // NamePath
    Power Meter[1]           // NamePath
    ...
    Power Meter[n]           // NamePath
}
```

### 10.5 Example: Power Source and Power Meter Namespace

Figure 10-4 below shows the ACPI namespace for a computer with a power meter, AC adapter and two batteries associated with a docking station which itself has an AC adapter.

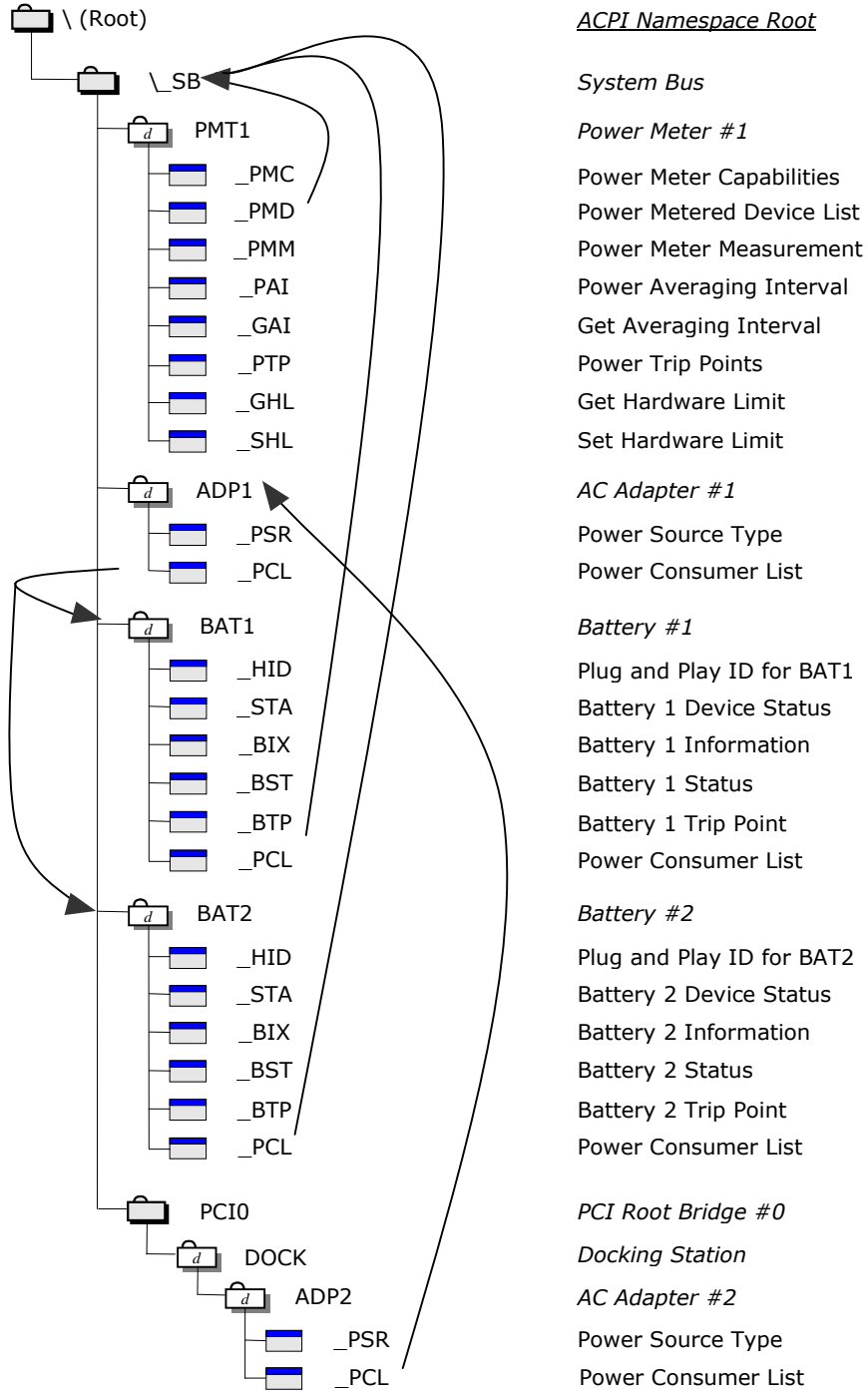


Figure 10-4 Power Meter and Power Source/Docking Namespace Example



## 11 Thermal Management

This section describes the ACPI thermal model and specifies the ACPI Namespace objects OSPM uses for thermal management of the platform.

### 11.1 Thermal Control

ACPI defines interfaces that allow OSPM to be proactive in its system cooling policies. With OSPM in control of the operating environment, cooling decisions can be made based on the system's application load, the user's preference towards performance or energy conservation, and thermal heuristics. Graceful shutdown of devices or the entire system at critical heat levels becomes possible as well. The following sections describe the ACPI thermal model and the ACPI Namespace objects available to OSPM to apply platform thermal management policy.

The ACPI thermal model is based around conceptual platform regions called *thermal zones* that physically contain devices, thermal sensors, and cooling controls. Generally speaking, the entire platform is one large thermal zone, but the platform can be partitioned into several ACPI thermal zones if necessary to enable optimal thermal management.

ACPI Thermal zones are a logical collection of interfaces to temperature sensors, trip points, thermal property information, and thermal controls. Thermal zone interfaces apply either thermal zone wide or to specific devices, including processors, contained within the thermal zone. ACPI defines namespace objects that provide the thermal zone-wide interfaces in section 11.3, "Thermal Objects". A subset of these objects may also be defined under devices. OS implementations compatible with the ACPI 3.0 thermal model, interface with these objects but also support OS native device driver interfaces that perform similar functions at the device level. This allows the integration of devices with embedded thermal sensors and controls, perhaps not accessible by AML, to participate in the ACPI thermal model through their inclusion in the ACPI thermal zone. OSPM is responsible for applying an appropriate thermal policy when a thermal zone contains both thermal objects and native OS device driver interfaces for thermal control.

Some devices in a thermal zone may be comparatively large producers of thermal load in relation to other devices in the thermal zone. Devices may also have varying degrees of thermal sensitivity. For example, some devices may tolerate operation at a significantly higher temperature than other devices. As such, the platform can provide OSPM with information about the platform's device topology and the resulting influence of one device's thermal load generation on another device. This information must be comprehended by OSPM for it to achieve optimal thermal management through the application of cooling controls.

ACPI expects all temperatures to be represented in tenths of degrees. This resolution is deemed sufficient to enable OSPM to perform robust platform thermal management.

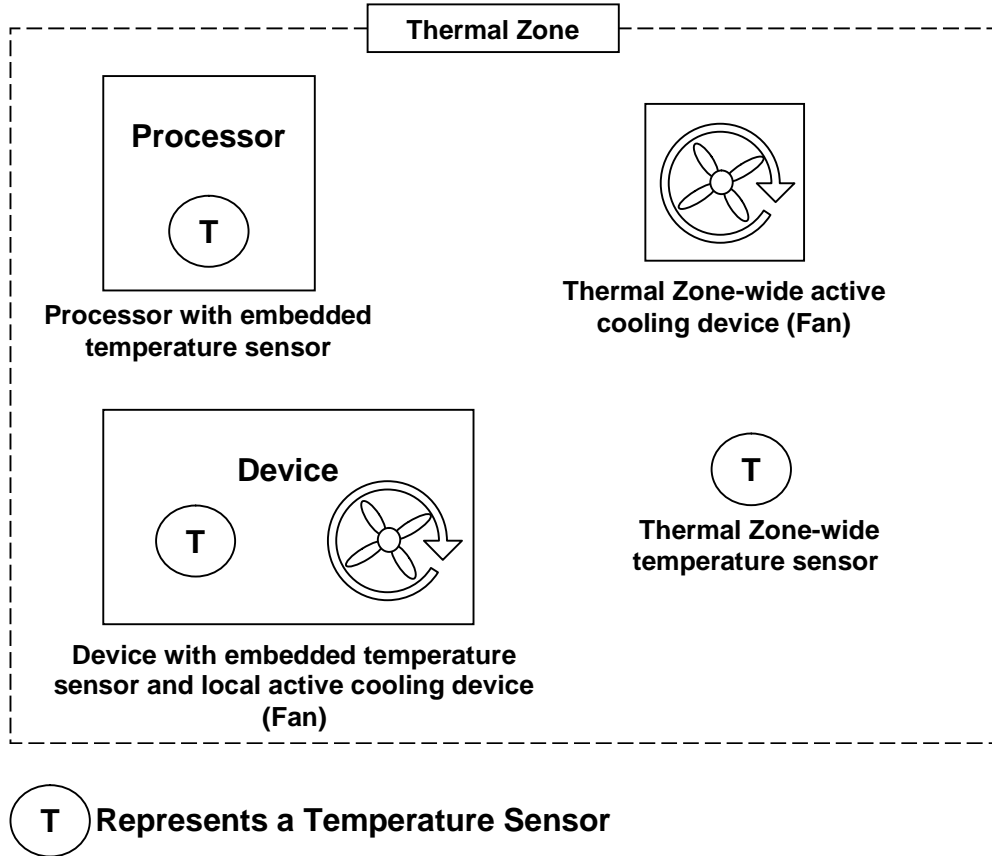


Figure 11-1 ACPI Thermal Zone

### 11.1.1 Active, Passive, and Critical Policies

There are three cooling policies that OSPM uses to control the thermal state of the hardware. The policies are *active*, *passive* and *critical*.

- **Active Cooling.** OSPM takes a direct action such as turning on one or more fans. Applying active cooling controls typically consume power and produce some amount of noise, but are able to cool a thermal zone without limiting system performance. Active cooling temperature trip points declare the temperature thresholds OSPM uses to decide when to start or stop different active cooling devices.
- **Passive Cooling.** OSPM reduces the power consumption of devices to reduce the temperature of a thermal zone, such as slowing (throttling) the processor clock. Applying passive cooling controls typically produces no user-noticeable noise. Passive cooling temperature trip points specify the temperature thresholds where OSPM will start or stop passive cooling.
- **Critical Trip Points.** These are threshold temperatures at which OSPM performs an orderly, but critical, shutdown of a device or the entire system. The `_HOT` object declares the critical temperature at which OSPM may choose to transition the system into the S4 sleeping state, if supported. The `_CRT` object declares the critical temperature at which OSPM must perform a critical shutdown.



When a thermal zone appears in the ACPI Namespace or when a new device becomes a member of a thermal zone, OSPM retrieves the temperature thresholds (trip points) at which it executes a cooling policy. When OSPM receives a temperature change notification, it evaluates the thermal zone's temperature interfaces to retrieve current temperature values. OSPM compares the current temperature values against the temperature thresholds. If any temperature is greater than or equal to a corresponding active trip point then OSPM will perform active cooling. If any temperature is greater than or equal to a corresponding passive trip point then OSPM will perform passive cooling. If the `_TMP` object returns a value greater than or equal to the value returned by the `_HOT` object then OSPM may choose to transition the system into the S4 sleeping state, if supported. If the `_TMP` object returns a value greater than or equal to the value returned by the `_CRT` object then OSPM must shut the system down. Embedded Hot and Critical trip points may also be exposed by individual devices within a thermal zone. Upon passing of these trip points, OSPM must decide whether to shut down the device or the entire system based upon device criticality to system operation. OSPM must also evaluate the thermal zone's temperature interfaces when any thermal zone appears in the namespace (for example, during system initialization) and must initiate a cooling policy as warranted independent of receipt of a temperature change notification. This allows OSPM to cool systems containing a thermal zone whose temperature has already exceeded temperature thresholds at initialization time.

An optimally designed system that uses several thresholds can notify OSPM of thermal increase or decrease by raising an event every several degrees. This enables OSPM to anticipate thermal trends and incorporate heuristics to better manage the system's temperature.

To implement a preference towards performance or energy conservation, OSPM can request that the platform change the priority of active cooling (performance) versus passive cooling (energy conservation/silence) by evaluating the `_SCP` (Set Cooling Policy) object for the thermal zone or a corresponding OS-specific interface to individual devices within a thermal zone.

### 11.1.2 Dynamically Changing Cooling Temperature Trip Points

The platform or its devices can change the active and passive cooling temperature trip points and notify OSPM to reevaluate the trip point interfaces to establish the new policy threshold settings. The following are the primary uses for this type of thermal notification:

- When OSPM changes the platform's cooling policy from one cooling mode to another.
- When a swappable bay device is inserted or removed. A swappable bay is a slot that can accommodate several different devices that have identical form factors, such as a CD-ROM drive, disk drive, and so on. Many mobile PCs have this concept already in place.
- After the crossing of an active or passive trip point is signaled to implement hysteresis.

In each situation, OSPM must be notified to re-evaluate the thermal zone's trip points via the AML code execution of a `Notify(thermal_zone, 0x81)` statement or via an OS specific interface invoked by device drivers for zone devices participating in the thermal model.

#### 11.1.2.1 OSPM Change of Cooling Policy

When OSPM changes the platform's cooling policy from one cooling mode to the other, the following occurs:

1. OSPM notifies the platform of the new cooling mode by running the Set Cooling Policy (`_SCP`) control method in all thermal zones and invoking the OS-specific Set Cooling Policy interface to all participating devices in each thermal zone.
2. Thresholds are updated in the hardware and OSPM is notified of the change.
3. OSPM re-evaluates the active and passive cooling temperature trip points for the zone and all devices in the zone to obtain the new temperature thresholds.

### 11.1.2.2 Resetting Cooling Temperatures to Adjust to Bay Device Insertion or Removal

The platform can adjust the thermal zone temperature to accommodate the maximum operating temperature of a bay device as necessary. For example:

1. Hardware detects that a device was inserted into or removed from the bay, updates the temperature thresholds, and then notifies OSPM of the thermal policy change and device insertion events.
2. OSPM re-enumerates the devices and re-evaluates the active and passive cooling temperature trip points.

### 11.1.2.3 Resetting Cooling Temperatures to Implement Hysteresis

An OEM can build hysteresis into platform thermal design by dynamically resetting cooling temperature thresholds. For example:

1. When the temperature increases to the designated threshold, OSPM will turn on the associated active cooling device or perform passive cooling.
2. The platform resets the threshold value to a lower temperature (to implement hysteresis) and notifies OSPM of the change. Because of this new threshold value, the fan will be turned off at a lower temperature than when it was turned on (therefore implementing a negative hysteresis).
3. When the temperature hits the lower threshold value, OSPM will turn off the associated active cooling device or cease passive cooling. The hardware will reset `_ACx` to its original value and notify OSPM that the trip points have once again been altered.

## 11.1.3 Detecting Temperature Changes

The ability of the platform and its devices to asynchronously notify an ACPI-compatible OS of meaningful changes in the thermal zone's temperature is a highly desirable capability that relieves OSPM from implementing a poll-based policy and generally results in a much more responsive and optimal thermal policy implementation. Each notification instructs OSPM to evaluate whether a trip point has been crossed and allows OSPM to anticipate temperature trends for the thermal zone.

It is recognized that much of the hardware used to implement thermal zone functionality today is not capable of generating ACPI-visible notifications (SCIs) or only can do so with wide granularity (for example, only when the temperature crosses the critical threshold). In these environments, OSPM must poll the thermal zone's temperature periodically to implement an effective policy.

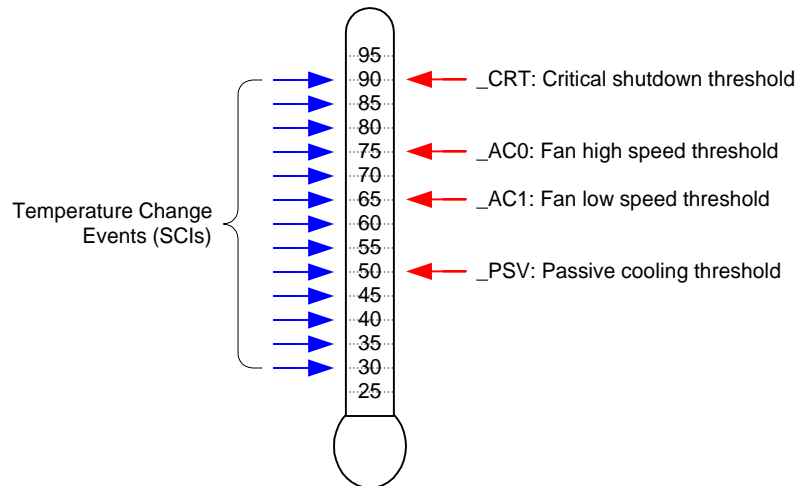
While ACPI specifies a mechanism that enables OSPM to poll thermal zone temperature, platform reliance on thermal zone polling is strongly discouraged by this specification. OEMs should design systems that asynchronously notify OSPM whenever a meaningful change in the zone's temperature occurs – relieving OSPM of the overhead associated with polling. In some cases, embedded controller firmware can overcome limitations of existing thermal sensor capabilities to provide the desired asynchronous notification.

Notice that the `_TZP` (thermal zone polling) object is used to indicate whether a thermal zone must be polled by OSPM, and if so, a recommended polling frequency. See section 11.4.21, “`_TZP`,” for more information.

### 11.1.3.1 Temperature Change Notifications

Thermal zone-wide temperature sensor hardware that supports asynchronous temperature change notifications does so using an SCI. The AML code that responds to this SCI must execute a **Notify**(*thermal\_zone*, 0x80) statement to inform OSPM that a meaningful change in temperature has occurred. Alternatively, devices with embedded temperature sensors may signal their associated device drivers and the drivers may use an OS-specific interface to signal OSPM's thermal policy driver. A device driver may also invoke a device specific control method that executes a **Notify**(*thermal\_zone*, 0x80) statement. When OSPM receives this thermal notification, it will evaluate the thermal zone's temperature interfaces to evaluate the current temperature values. OSPM will then compare the values to the corresponding cooling policy trip point values (either zone-wide or device-specific). If the temperature has crossed over any of the policy thresholds, then OSPM will actively or passively cool (or stop cooling) the system, or shut the system down entirely.

Both the number and granularity of thermal zone trip points are OEM-specific. However, it is important to notice that since OSPM can use heuristic knowledge to help cool the system, the more events OSPM receives the better understanding it will have of the system's thermal characteristic.



**Figure 11-2 Thermal Events**

For example, the simple thermal zone illustrated above includes hardware that will generate a temperature change notification using a 5° Celsius granularity. All thresholds (\_PSV, \_AC1, \_AC0, and \_CRT) exist within the monitored range and fall on 5° boundaries. This granularity is appropriate for this system as it provides sufficient opportunity for OSPM to detect when a threshold is crossed as well as to understand the thermal zone's basic characteristics (temperature trends).

**Note:** The ACPI specification defines Kelvin as the standard unit for absolute temperature values. All thermal zone objects must report temperatures in Kelvin when reporting absolute temperature values. All figures and examples in this section of the specification use Celsius for reasons of clarity. ACPI allows Kelvin to be declared in precision of 1/10<sup>th</sup> of a degree (for example, 310.5). Kelvin is expressed as  $\theta/K = T/^{\circ}C + 273.2$ .

### 11.1.3.2 Polling

Temperature sensor hardware that is incapable of generating thermal change events, or that can do so for only a few thresholds should inform OSPM to implement a poll-based policy. OSPM does this to ensure that temperature changes across threshold boundaries are always detectable.

Polling can be done in conjunction with hardware notifications. For example, thermal zone hardware that only supports a single threshold might be configured to use this threshold as the critical temperature trip point. Assuming that hardware monitors the temperature at a finer granularity than OSPM would, this environment has the benefit of being more responsive when the system is overheating.

A thermal zone advertises the need to be polled by OSPM via the `_TZP` object. See section 11.4.21, “`_TZP`,” for more information.

### 11.1.4 Active Cooling

Active cooling devices typically consume power and produce some amount of noise when enabled. These devices attempt to cool a thermal zone through the removal of heat rather than limiting the performance of a device to address an adverse thermal condition.

The active cooling interfaces in conjunction with the active cooling lists or the active cooling relationship table (`_ART`) allow the platform to use an active device that offers varying degrees of cooling capability or multiple cooling devices. The active cooling temperature trip points designate the temperature where Active cooling is engaged or disengaged (depending upon the direction in which the temperature is changing). For thermal zone-wide active cooling controls, the `_ALx` object evaluates to a list of devices that actively cool the zone or the `_ART` object evaluates to describe the entire active cooling relationship of various devices. For example:

- If a standard single-speed fan is the Active cooling device, then `_AC0` evaluates to the temperature where active cooling is engaged and the fan is listed in `_AL0`.
- If the zone uses two independently controlled single-speed fans to regulate the temperature, then `_AC0` will evaluate to the maximum cooling temperature using two fans, and `_AC1` will evaluate to the standard cooling temperature using one fan.
- If a zone has a single fan with a low speed and a high speed, the `_AC0` will evaluate to the temperature associated with running the fan at high-speed, and `_AC1` will evaluate to the temperature associated with running the fan at low speed. `_AL0` and `_AL1` will both point to different device objects associated with the same physical fan, but control the fan at different speeds.
- If the zone uses two independently controlled multiple-speed fans to regulate the temperature, `_AC0` of the target devices evaluates to the temperature at which OSPM will engage fan devices described by the `_ART` object as needed up to a maximum capability level.

For ASL coding examples that illustrate these points, see sections 11.6, “Thermal Zone Interface Requirements,” and 11.7, “Thermal Zone Examples.”

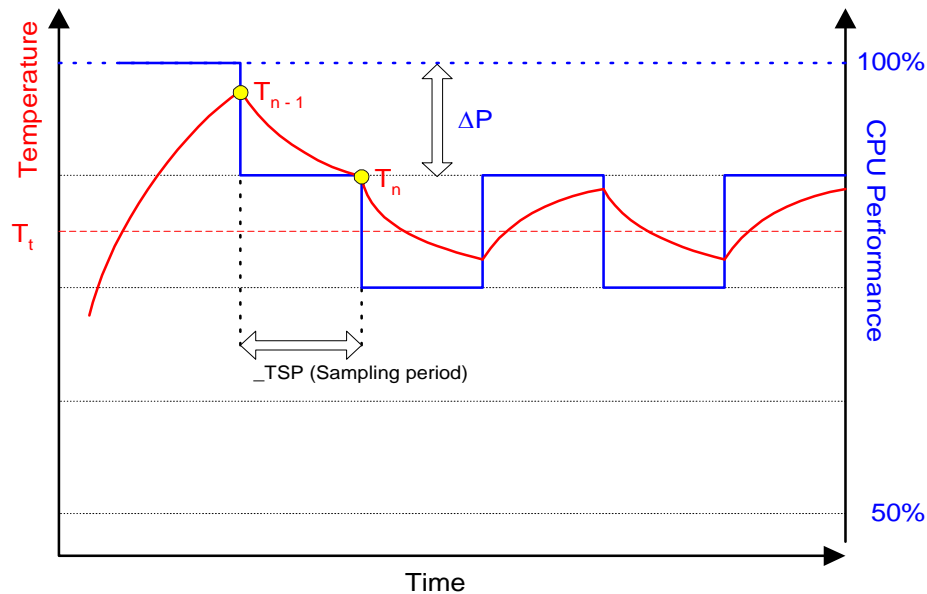
### 11.1.5 Passive Cooling

Passive cooling controls are able to cool a thermal zone without creating noise and without consuming additional power (actually saving power), but do so by decreasing the performance of the devices in the zone .

#### 11.1.5.1 Processor Clock Throttling

The processor passive cooling threshold (`_PSV`) in conjunction with the processor list (`_PSL`) allows the platform to indicate the temperature at which a passive control, for example clock throttling, will be applied to the processor(s) residing in a given thermal zone. Unlike other cooling policies, during passive cooling of processors OSPM may take the initiative to actively monitor the temperature in order to cool the platform.

On an ACPI-compatible platform that properly implements CPU throttling, the temperature transitions will be similar to the following figure, in a coolable environment, running a coolable workload:



**Figure 11-3 Temperature and CPU Performance Versus Time**

The following equation should be used by OSPM to assess the optimum CPU performance change necessary to lower the thermal zone's temperature:

$$\text{Equation \#1: } \Delta P [\%] = \_TC1 * (T_n - T_{n-1}) + \_TC2 * (T_n - T_t)$$

Where:

$T_n$  = current temperature

$T_t$  = target temperature ( $\_PSV$ )

The two coefficients  $\_TC1$  and  $\_TC2$  and the sampling period  $\_TSP$  are hardware-dependent constants the OEM must supply to OSPM (for more information, see section 11.4, "Thermal Objects"). The  $\_TSP$  object contains a time interval that OSPM uses to poll the hardware to sample the temperature. Whenever the time value returned by  $\_TSP$  has elapsed, OSPM will evaluate  $\_TMP$  to sample the current temperature (shown as  $T_n$  in the above equation). Then OSPM will use the sampled temperature and the passive cooling temperature trip point ( $\_PSV$ ) (which is the target temperature  $T_t$ ) to evaluate the equation for  $\Delta P$ . The granularity of  $\Delta P$  is determined by the CPU duty width of the system.

**Note:** Equation #1 has an implied formula.

$$\text{Equation \#2: } P_n = P_{n-1} + HW[-\Delta P] \text{ where } 0\% \leq P_n \leq 100\%$$

For Equation #2, whenever  $P_{n-1} + \Delta P$  lies outside the range 0-100%, then  $P_n$  will be truncated to 0-100%. For hardware that cannot assume all possible values of  $P_n$  between 0 and 100%, a hardware-specific mapping function  $HW$  is used.

In addition, the hardware mapping function in Equation #2 should be interpreted as follows:

For absolute temperatures:

1. If the right hand side of Equation #1 is negative,  $HW[\Delta P]$  is rounded to the next available higher setting of frequency.
2. If the right hand side of Equation #1 is positive,  $HW[\Delta P]$  is rounded to the next available lower setting of frequency.

For relative temperatures:

1. If the right hand side of Equation #1 is positive, HW[  $\Delta P$ ] is rounded to the next available higher setting of frequency.
2. If the right hand side of Equation #1 is negative, HW[ $\Delta P$ ] is rounded to the next available lower setting of frequency.

The calculated  $P_n$  becomes  $P_{n-1}$  during the next sampling period.

For more information about CPU throttling, see section 8.1.1, Processor Power State C0.” A detailed explanation of this thermal feedback equation is beyond the scope of this specification.

### 11.1.6 Critical Shutdown

When the thermal zone-wide temperature sensor value reaches the threshold indicated by `_CRT`, OSPM must immediately shut the system down. The system must disable the power either after the temperature reaches some hardware-determined level above `_CRT` or after a predetermined time has passed. Before disabling power, platform designers should incorporate some time that allows OSPM to run its critical shutdown operation. There is no requirement for a minimum shutdown operation window that commences immediately after the temperature reaches `_CRT`. This is because:

- Temperature might rise rapidly in some systems and slowly on others, depending on casing design and environmental factors.
- Shutdown can take several minutes on a server and only a few seconds on a hand-held device.

Because of this indistinct discrepancy and the fact that a critical heat situation is a remarkably rare occurrence, ACPI does not specify a target window for a safe shutdown. It is entirely up to the OEM to build in a safe buffer that it sees fit for the target platform.

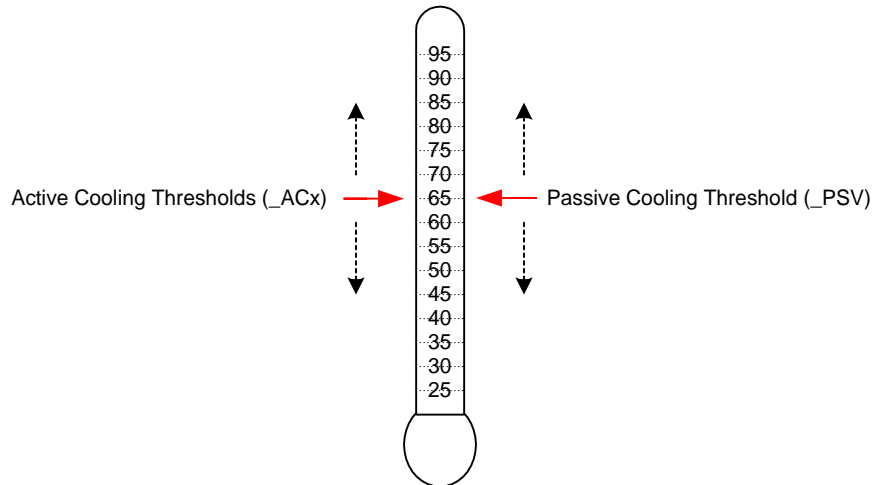
## 11.2 Cooling Preferences

A robust OSPM implementation provides the means for the end user to convey a preference (or a level of preference) for either performance or energy conservation to OSPM. Allowing the end user to choose this preference is most critical to mobile system users where maximizing system run-time on a battery charge often has higher priority over realizing maximum system performance. For example, if a user is taking notes on her PC in a quiet environment, such as a library or a corporate meeting, she may want the system to emphasize passive cooling so that the system operates quietly, even at the cost of system performance.

A user preference towards performance corresponds to the Active cooling mode while a user's preference towards energy conservation or quiet corresponds to the Passive cooling mode. ACPI defines an interface to convey the cooling mode to the platform. Active cooling can be performed with minimal OSPM thermal policy intervention. For example, the platform indicates through thermal zone parameters that crossing a thermal trip point requires a fan to be turned on. Passive cooling requires OSPM thermal policy to manipulate device interfaces that reduce performance to reduce thermal zone temperature.

Either cooling mode will be activated only when the thermal condition requires it. When the thermal zone is at an optimal temperature level where it does not warrant any cooling, both modes result in a system operating at its maximum potential with all fans turned off.

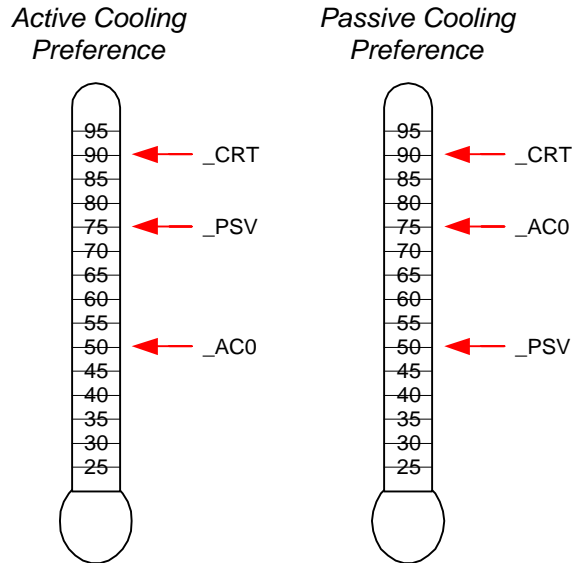
Thermal zones supporting the Set Cooling Policy interface allow the user to switch the system's cooling mode emphasis. See section 11.4.11, “\_SCP,” for more information.



**Figure 11-4 Active and Passive Threshold Values**

As illustrated in Figure 11-4, the platform must convey the value for each threshold to instruct OSPM to initiate the cooling policies at the desired target temperatures. The platform can emphasize active or passive cooling modes by assigning different threshold values. Generally, if `_ACx` is set lower than `_PSV`, then the system emphasizes active cooling. Conversely, if `_PSV` is set lower than `_ACx`, then the emphasis is placed on passive cooling.

For example, a thermal zone that includes a processor and one single-speed fan may use `_PSV` to indicate the temperature value at which OSPM would enable passive cooling and `_AC0` to indicate the temperature at which the fan would be turned on. If the value of `_PSV` is less than `_AC0` then the system will favor passive cooling (for example, CPU clock throttling). On the other hand, if `_AC0` is less than `_PSV` the system will favor active cooling (in other words, using the fan). See Figure 11-5 below.



**Figure 11-5 Cooling Preferences**

The example on the left enables active cooling (for example, turn on a fan) when OSPM detects the temperature has risen above 50°. If for some reason the fan does not reduce the system temperature, then at 75° OSPM will initiate passive cooling (for example, CPU throttling) while still running the fan. If the temperature continues to climb, OSPM will quickly shut the system down when the temperature reaches 90°C. The example on the right is similar but the `_AC0` and `_PSV` threshold values have been swapped to emphasize passive cooling.

The ACPI thermal model allows flexibility in the thermal zone design. An OEM that needs a less elaborate thermal implementation may consider using only a single threshold (for example, `_CRT`). Complex thermal implementations can be modeled using multiple active cooling thresholds and devices, or through the use of additional thermal zones.

### 11.2.1 Evaluating Thermal Device Lists

The `Notify(thermal_zone, 0x82)` statement is used to inform OSPM that a change has been made to the thermal zone device lists. This thermal event instructs OSPM to re-evaluate the `_ALx`, `_PSL`, and `_TZD` objects.

For example, a system that supports the dynamic insertions of processors might issue this notification to inform OSPM of changes to `_PSL` following the insertion or removal of a processor. OSPM would re-evaluate all thermal device lists and adjust its policy accordingly.

Notice that this notification can be used with the `Notify(thermal_zone, 0x81)` statement to inform OSPM to both re-evaluate all device lists and all thresholds.



Alternatively, devices may include the `_TZM` (Thermal Zone Member) object their device scope to convey their thermal zone association to OSPM. Section 11.4.20, “`_TZM` (Thermal Zone Member)”, for more information.

## 11.2.2 Evaluating Device Thermal Relationship Information

The `Notify(thermal_zone, 0x83)` statement is used to inform OSPM that a change has been made to the thermal relationship information. This thermal event instructs OSPM to re-evaluate the `_TRT` and `_ART` objects. The thermal influence between devices may change when active cooling moves air across device packages as compared to when only passive cooling controls are applied. Similarly, the active cooling relationship may change as various fans are engaged to actively cool a platform or if user preferences change.

## 11.2.3 Fan Device Notifications

Notify events of type `0x80` will cause OSPM to evaluate the `_FST` object to evaluate the fan’s current speed.

## 11.3 Fan Device

ACPI 1.0 defined a simple fan device that is assumed to be in operation when it is in the `D0` state. Thermal zones reference fan device(s) as being responsible primarily for cooling within that zone. Notice that multiple fan devices can be present for any one thermal zone. They might be actual different fans, or they might be used to implement one fan of multiple speeds (for example, by turning both “fans” on the one fan will run full speed).

ACPI 4.0 defines additional fan device interface objects enabling OSPM to perform more robust active cooling thermal control. These objects are summarized in Table 11-1. OSPM requires that all of the objects listed in Table 11-1 be defined under a fan device to enable advanced active cooling control. The absence of any of these objects causes OSPM to perform ACPI 1.0 style simple fan control .

The Plug and Play ID of a fan device is `PNP0C0B`.

**Table 11-1 Fan Specific Objects**

Object	Description
<code>_FIF</code>	Returns fan device information.
<code>_FPS</code>	Returns a list of supported fan performance states.
<code>_FSL</code>	Control method that sets the fan device’s speed level (performance state).
<code>_FST</code>	Returns current status information for a fan device.

While the Fan Device and its associated objects are optional, if the Fan Device is implemented by the platform, all objects listed in Table 11-1 are required and must be provided.

### 11.3.1 Fan Objects

#### 11.3.1.1 `_FIF` (Fan Information)

The optional `_FIF` object provides OSPM with fan device capability information.

Arguments:

None

Return Value:

A **Package** containing the fan device parameters as described in table 11-2 below

\_FIF evaluation returns a package of the following format:

```
Package (){
    Revision,                // Integer
    FineGrainControl,       // Integer Boolean
    StepSize                 // Integer DWORD
    LowSpeedNotificationSupport // Integer Boolean
}
```

**Table 11-2 \_FIF Package Details**

Field	Format	Description
Revision	<b>Integer</b>	Current revision is: 0
Fine Grain Control	<b>Integer</b> (Boolean)	A non zero value in this field indicates OSPM may evaluate the fan device's <u>_FSL</u> object with a Level argument value in the range of 0-100, which represents a percentage of maximum speed. A zero value in this field indicates that OSPM may evaluate the fan device's <u>_FSL</u> object with a Level argument value that is a Control field value from a package in the <u>_FPS</u> object's package list only.
Step Size	<b>Integer</b> (DWORD)	The recommended minimum step size in percentage points to be used when OSPM performs fine-grained fan speed control. OSPM may utilize the value of this field if the FineGrainControl field is non-zero the value in this field is between 1 and 9.
Low Speed Notification Support	<b>Integer</b> (Boolean)	A non zero value in this field indicates that the platform will issue a Notify (0x80) to the fan device if a low (errant) fan speed is detected.

If a fan device supports fine-grained control, OSPM may evaluate a fan device's \_FSL object with any Level argument value that is less than or equal to the Control field value specified in the package of the \_FPS object's package list that corresponds to the active cooling trip point that has been exceeded. This capability provides OSPM access to one hundred fan speed settings thus enabling fine-grained fan speed control. The platform uses the StepSize field to help OSPM optimize its fan level selection policy by fine-grained fan speed control. The platform uses the StepSize field to help OSPM optimize its fan level selection policy by indicating recommended increments in the fan speed level value that are appropriate for the fan when one percent increments are not optimal. In the event OSPM's incremental selections of Level using the StepSize field value do not sum to 100%, OSPM may select an appropriate ending Level increment to reach 100%. OSPM should use the same residual step value first when reducing Level.

**11.3.1.2 \_FPS (Fan Performance States)**

The optional \_FPS object evaluates to a variable-length package containing a list of packages that describe the fan device's performance states. A temperature reading above an active cooling trip point defined by an \_ACx object in a thermal zone or above a native active cooling trip point of a device within the thermal zone causes OSPM thermal control to engage the appropriate corresponding fan performance state from the list of fan performance states described by the \_FPS object if the fan device is present in the corresponding \_ALx device list or if an entry exists for the fan and trip point in the active cooling relationship table (\_ART).

OSPM assumes a linear relationship for the acoustic impact and power consumption values between successive entries in the fan performance state list. Notice that the acoustic impact measurement unit (Decibels) is inherently non-linear. As such, the platform should populate \_FPS entries as necessary to enable OSPM to achieve optimal results.

Arguments:

None

Return Value:

A variable-length **Package** containing a Revision ID and a list of **Packages** that describe the fan device’s performance states as described in table 11-3 below.

**Return Value Information**

```
Package {
    Revision,                // Integer - Current revision is: 0
    FanPState[0],          // Package
    ...
    FanPState[n]           // Package
}
```

Each FanPState sub-**Package** contains the elements described below:

```
Package ()                // Fan P-State
{
    Control,                // Integer DWORD
    TripPoint,              // Integer DWORD
    Speed,                  // Integer DWORD
    NoiseLevel,             // Integer DWORD
    Power                   // Integer DWORD
}
```

**Table 11-3 \_FPS FanPstate Package Details**

Field	Format	Description
Control	<b>Integer</b> (DWORD)	Indicates the value to be used to set the fan speed to a specific level using the _FSL object.  If the fan device supports fine-grained control as indicated by the _FIF object, this value is a percentage (0-100) of maximum speed level.  If the fan device does not support fine-grained control, this field is an opaque value that OSPM must simply use in its evaluation of the _FSL object to set the level to this performance state.
TripPoint	<b>Integer</b> (DWORD)	0-9: The active cooling trip point number that corresponds to this performance state. If the _ART object is defined, OSPM may optionally use information provided by the _ART object and _FPS objects to select alternative fan performance states. Only one entry per unique trip point number is allowed in the _FPS.  0x0A- 0xFFFFFFFFE: Reserved  0xFFFFFFFF: Indicates that this performance state does not correspond with a specific active cooling trip point.
Speed	<b>Integer</b> (DWORD)	Indicates the speed of the fan in revolutions per minute in this performance state.
NoiseLevel	<b>Integer</b> (DWORD)	This optional field indicates the audible noise emitted by the fan in this performance state. The value represents the noise in 10ths of decibels. For example, if the fan emits noise at 28.3dB in this performance state, the value of this field would be 283. A value of 0xFFFFFFFF indicates that this field is not populated.

Field	Format	Description
Power	<b>Integer</b> (DWORD)	This optional field indicates the power consumption (in milliwatts) of the fan in this performance state. For example, if the fan consumes .5W in this performance state, the value of this field would be 500. A value of 0xFFFFFFFF indicates that this field is not populated.

### 11.3.1.3 \_FSL (Fan Set Level)

The optional \_FSL object is a control method that OSPM evaluates to set a fan device's speed (performance state) to a specific level

Arguments: (1)

Arg0 – Level (**Integer**): conveys to the platform the fan speed level to be set.

Return Value:

None

Argument Information

Arg0: Level. If the fan supports fine-grained control, Level is a percentage of maximum level (0-100) that the platform is to engage the fan. If the fan does not support fine-grained control, Level is a Control field value from a package in the \_FPS object's package list. A Level value of zero causes the platform to turn off the fan.

### 11.3.1.4 \_FST (Fan Status)

The optional \_FST object provides status information for the fan device.

Arguments:

None

Return Value:

A **Package** containing fan device status information as described in table 11-4 below

\_FST evaluation returns a package of the following format:

```
Package (){
    Revision,           // Integer
    Control,           // Integer DWORD
    Speed              // Integer DWORD
}
```

**Table 11-4 \_FST Package Details**

Field	Format	Description
Revision	<b>Integer</b>	Current revision is: 0
Control	<b>Integer</b> (DWORD)	The current control value used to operate the Fan. If the fan is not operating Control will be zero. If the fan is operating, Control is the Level argument passed in the evaluation of the _FSL object.
Speed	<b>Integer</b> (DWORD)	The current fan speed in revolutions per minute at which the fan is rotating. A value of 0xFFFFFFFF indicates that the fan does not support speed reporting.

## 11.4 Thermal Objects

Objects related to thermal management are listed in Table 11-5.

**Table 11-5 Thermal Objects**

Object	Description
_ACx	Returns active cooling policy threshold values in tenths of degrees.
_ALx	List of active cooling device objects.
_ART	Table of values that convey the Active Cooling Relationship between devices
_CRT	Returns critical trip point in tenths of degrees where OSPM must perform a critical shutdown.
_HOT	Returns critical trip point in tenths of degrees where OSPM may choose to transition the system into S4.
_NTT	Returns the temperature change threshold for devices containing native temperature sensors to cause evaluation of the _TPT object
_PSL	List of processor device objects for clock throttling.
_PSV	Returns the passive cooling policy threshold value in tenths of degrees.
_RTV	Conveys whether temperatures are expressed in terms of absolute or relative values.
_SCP	Sets platform cooling policy (active or passive).
_TC1	Thermal constant for passive cooling.
_TC2	Thermal constant for passive cooling.
_TMP	Returns the thermal zone's current temperature in tenths of degrees.
_TPT	Conveys the temperature of a devices internal temperature sensor to the platform when a temperature trip point is crossed or a meaningful change in temperature occurs.
_TRT	Table of values that convey the Thermal Relationship between devices
_TSP	Thermal sampling period for Passive cooling in tenths of seconds.
_TST	Conveys the minimum separation for a devices' programmable temperature trip points.
_TZD	List of devices whose temperature is measured by this thermal zone.
_TZM	Returns the thermal zone for which a device is a member.
_TZP	Thermal zone polling frequency in tenths of seconds.

With the exception of `_TPT`, `_TST`, and the `_TZM` objects, the objects described in the following sections may exist under a thermal zone. Devices with embedded thermal sensors and controls may contain static cooling temperature trip points or dynamic cooling temperature trip points that must be programmed by the device's driver. In this case, thermal objects defined under a device serve to convey the platform specific values for these settings to the devices driver.

### 11.4.1 `_ACx` (Active Cooling)

This optional object, if present under a thermal zone, returns the temperature trip point at which OSPM must start or stop Active cooling, where  $x$  is a value between 0 and 9 that designates multiple active cooling levels of the thermal zone. If the Active cooling device has one cooling level (that is, "on") then that cooling level must be defined as `_AC0`. If the cooling device has two levels of capability, such as a high fan speed and a low fan speed, then they must be defined as `_AC0` and `_AC1` respectively. The smaller the value of  $x$ , the greater the cooling strength `_ACx` represents. In the above example, `_AC0` represents the greater level of cooling (the faster fan speed) and `_AC1` represents the lesser level of cooling (the slower fan speed). For every `_ACx` method, there must be a matching `_ALx` object or a corresponding entry in an `_ART` object's active cooling relationship list.

If this object is present under a device, the device's driver evaluates this object to determine the device's corresponding active cooling temperature trip point. This value may then be used by the device's driver to program an internal device temperature sensor trip point. When this object is present under a device, the device must contain a native OS device driver interface supporting a corresponding active cooling control, a matching `_ALx` object under the thermal zone of which the device is a member must exist, or a corresponding entry in an `_ART` object's active cooling relationship list must.

Arguments:

None

Return Value:

An **Integer** containing the active cooling temperature threshold in tenths of degrees Kelvin

The return value is an integer that represents tenths of degrees Kelvin. For example, 300.0K is represented by the integer 3000.

### 11.4.2 `_ALx` (Active List)

This object is defined under a thermal zone and evaluates to a list of Active cooling devices to be turned on when the corresponding `_ACx` temperature threshold is exceeded. For example, these devices could be fans.

Arguments:

None

Return Value:

A variable-length **Package** containing a list of **References** to active cooling devices

The return value is a package consisting of references to all active cooling devices that should be engaged when the associated active cooling threshold (`_ACx`) is exceeded.

When the returned package consists of references to an active cooling device that is a fan device and the fan device implements `_FPS` and `_FSL` objects, OSPM activates the identified fan at a capability level matching the level identified by this object. For example, if the system has a fan that implements `_FPS` object with 5 levels, and if `_AL3` is evaluated by the OSPM causing it to return this fan's reference, then the fan is activated by evaluating `_FSL` with the value from the Control field of an `_FPS` entry whose TripPoint field value equals 3.

If a thermal zone has the `_ART` object defined, then it is not necessary to have any `_ALx` objects implemented.

Note: If a thermal zone has `_ART` object defined as well as `_ALx` defined, the OSPM ignores `_ALx` objects and uses `_ART` exclusively.

### 11.4.3 \_ART (Active Cooling Relationship Table)

The optional \_ART object evaluates to a variable-length package containing a list of packages each of which describes the active cooling relationship between a device within a thermal zone and an active cooling device. OSPM uses the combined information about the active cooling relationships of all devices in the thermal zone to make active cooling policy decisions.

If \_ART is implemented within a thermal zone, OSPM ignores all \_ALx objects as \_ART conveys a mapping for each of the \_ACx trip points to active cooling devices.

The platform can dynamically change the \_ART object by notifying the thermal zone object with a Notify code of 0x83, which will cause OSPM to re-evaluate both the \_TRT and \_ART objects. This allows the platform to change the capability level mapping to various \_ACx trip points dynamically at run time.

Arguments:

None

Return Value:

A variable-length **Package** containing a Revision ID and a list of Active Relationship **Packages** as described below:

**Return Value Information**

```
Package {
    Revision,                // Integer - Current revision is: 0
    ActiveRelationship[0]   // Package
    ...
    ActiveRelationship[n]   // Package
}
```

Each ActiveRelationship sub-**Package** contains the elements described below:

```
Package {
    SourceDevice,           // Object Reference to a Fan Device Object
    TargetDevice,          // Object Reference to a Device Object
    Weight,                 // Integer
    AC0MaxLevel,           // Integer
    AC1MaxLevel,           // Integer
    AC2MaxLevel,           // Integer
    AC3MaxLevel,           // Integer
    AC4MaxLevel,           // Integer
    AC5MaxLevel,           // Integer
    AC6MaxLevel,           // Integer
    AC7MaxLevel,           // Integer
    AC8MaxLevel,           // Integer
    AC9MaxLevel            // Integer
}
```

**Table 11-6 Thermal Relationship Package Values**

Element	Object Type	Description
SourceDevice	<b>Reference</b> (to a device)	The fan device that has an impact on the cooling of the device indicated by <i>TargetDevice</i> .
TargetDevice	<b>Reference</b> (to a device)	The device that is impacted by the fan device indicated by <i>SourceDevice</i> .
Weight	<b>Integer</b>	Indicates the SourceDevice’s contribution to the platform’s TargetDevice total cooling capability when the fans of all entries in the _ART with the same target device are engaged at their highest (maximum capability) performance state. This is represented as a percentage value (0-100).

Element	Object Type	Description
AC0MaxLevel	<b>Integer</b> (DWORD)	Indicates the maximum fans speed level in percent (0-100) that OSPM may engage on the <i>SourceDevice</i> when a temperature exceeds the <i>_AC0</i> trip point value. A value of 0xFFFFFFFF in this field indicates that the <i>SourceDevice</i> is not to be engaged for the trip point.
AC1MaxLevel	<b>Integer</b> (DWORD)	Indicates the maximum fans speed level in percent (0-100) that OSPM may engage on the <i>SourceDevice</i> when a temperature exceeds the <i>_AC1</i> trip point value. A value of 0xFFFFFFFF in this field indicates that the <i>SourceDevice</i> is not to be engaged for the trip point.
AC2MaxLevel	<b>Integer</b> (DWORD)	Indicates the maximum fans speed level in percent (0-100) that OSPM may engage on the <i>SourceDevice</i> when a temperature exceeds the <i>_AC2</i> trip point value. A value of 0xFFFFFFFF in this field indicates that the <i>SourceDevice</i> is not to be engaged for the trip point.
AC3MaxLevel	<b>Integer</b> (DWORD)	Indicates the maximum fans speed level in percent (0-100) that OSPM may engage on the <i>SourceDevice</i> when a temperature exceeds the <i>_AC3</i> trip point value. A value of 0xFFFFFFFF in this field indicates that the <i>SourceDevice</i> is not to be engaged for the trip point.
AC4MaxLevel	<b>Integer</b> (DWORD)	Indicates the maximum fans speed level in percent (0-100) that OSPM may engage on the <i>SourceDevice</i> when a temperature exceeds the <i>_AC4</i> trip point value. A value of 0xFFFFFFFF in this field indicates that the <i>SourceDevice</i> is not to be engaged for the trip point.
AC5MaxLevel	<b>Integer</b> (DWORD)	Indicates the maximum fans speed level in percent (0-100) that OSPM may engage on the <i>SourceDevice</i> when a temperature exceeds the <i>_AC5</i> trip point value. A value of 0xFFFFFFFF in this field indicates that the <i>SourceDevice</i> is not to be engaged for the trip point.
AC6MaxLevel	<b>Integer</b> (DWORD)	Indicates the maximum fans speed level in percent (0-100) that OSPM may engage on the <i>SourceDevice</i> when a temperature exceeds the <i>_AC6</i> trip point value. A value of 0xFFFFFFFF in this field indicates that the <i>SourceDevice</i> is not to be engaged for the trip point.
AC7MaxLevel	<b>Integer</b> (DWORD)	Indicates the maximum fans speed level in percent (0-100) that OSPM may engage on the <i>SourceDevice</i> when a temperature exceeds the <i>_AC7</i> trip point value. A value of 0xFFFFFFFF in this field indicates that the <i>SourceDevice</i> is not to be engaged for the trip point.
AC8MaxLevel	<b>Integer</b> (DWORD)	Indicates the maximum fans speed level in percent (0-100) that OSPM may engage on the <i>SourceDevice</i> when a temperature exceeds the <i>_AC8</i> trip point value. A value of 0xFFFFFFFF in this field indicates that the <i>SourceDevice</i> is not to be engaged for the trip point.



Element	Object Type	Description
AC9MaxLevel	<b>Integer</b> (DWORD)	Indicates the maximum fans speed level in percent (0-100) that OSPM may engage on the <i>SourceDevice</i> when a temperature exceeds the <i>_AC9</i> trip point value.  A value of 0xFFFFFFFF in this field indicates that the <i>SourceDevice</i> is not to be engaged for the trip point.

In the case multiple active cooling trip points have been exceeded and *\_ART* entries indicate various maximum limits for the same *SourceDevice*, OSPM may operate the *SourceDevice* up to the highest *ACxMaxLevel* value indicated for all exceeded trip points.

#### 11.4.4 *\_CRT* (Critical Temperature)

This object, when defined under a thermal zone, returns the critical temperature at which OSPM must shutdown the system. If this object is present under a device, the device's driver evaluates this object to determine the device's critical cooling temperature trip point. This value may then be used by the device's driver to program an internal device temperature sensor trip point.

Arguments:

None

Return Value:

An **Integer** containing the critical temperature threshold in tenths of degrees Kelvin

The result is an integer value that represents the critical shutdown threshold in tenths of degrees. For example, 300.0K is represented by the integer 3000.

#### 11.4.5 *\_DTI* (Device Temperature Indication)

This optional object may be present under a device and is evaluated by OSPM when the device's native (driver managed) temperature sensor has crossed a cooling temperature trip point or when a meaningful change in temperature (as indicated by evaluation of the *\_NTT* object) has occurred. OSPM evaluation of the *\_DTI* object enables the platform to take action as a result of these events. For example, the platform may choose to implement fan control hysteresis based on the conveyed value or signal the reevaluation of the *\_TDL* or *\_PDL* objects.

Arguments: (1)

Arg0 – An **Integer** containing the current value of the temperature sensor (in tenths Kelvin)

Return Value:

None

#### 11.4.6 *\_HOT* (Hot Temperature)

This optional object, when defined under a thermal zone, returns the critical temperature at which OSPM may choose to transition the system into the S4 sleeping state. The platform vendor should define *\_HOT* to be far enough below *\_CRT* so as to allow OSPM enough time to transition the system into the S4 sleeping state. While dependent on the amount of installed memory, on typical platforms OSPM implementations can transition the system into the S4 sleeping state in tens of seconds. If this object is present under a device, the device's driver evaluates this object to determine the device's hot cooling temperature trip point. This value may then be used by the device's driver to program an internal device temperature sensor trip point.

Arguments:

None

Return Value:

An **Integer** containing the critical temperature threshold in tenths of degrees Kelvin

The return value is an integer that represents the critical sleep threshold tenths of degrees Kelvin. For example, 300.0K is represented by the integer 3000.

#### 11.4.7 **\_NTT (Notification Temperature Threshold)**

This optional object may be defined under devices containing native temperature sensors and evaluates to the temperature change threshold for the device where the platform requires notification of the change via evaluation of the `_TPT` object.

Arguments:

None

Return Value:

An **Integer** containing the temperature threshold in tenths of degrees Kelvin.

The return value is an integer that represents the amount of change in device temperature that is meaningful to the platform and for which the platform requires notification via evaluation of the `_TPT` object.

#### 11.4.8 **\_PSL (Passive List)**

This object is defined under a thermal zone and evaluates to a list of processor objects to be used for passive cooling.

Arguments:

None

Return Value:

A variable-length **Package** containing a list of **References** to processor objects

The return value is a package consisting of references to all processor objects that will be used for passive cooling when the zone's passive cooling threshold (`_PSV`) is exceeded.

#### 11.4.9 **\_PSV (Passive)**

This optional object, if present under a thermal zone, evaluates to the temperature at which OSPM must activate passive cooling policy.

Arguments:

None

Return Value:

An **Integer** containing the passive cooling temperature threshold in tenths of degrees Kelvin

The return value is an integer that represents tenths of degrees Kelvin. For example, 300.0 Kelvin is represented by 3000.

If this object is present under a device, the device's driver evaluates this object to determine the device's corresponding passive cooling temperature trip point. This value may then be used by the device's driver to program an internal device temperature sensor trip point. When this object is present under a device, the device must contain a native OS device driver interface supporting a passive cooling control.

#### 11.4.10 **\_RTV (Relative Temperature Values)**

This optional object may be present under a device or a thermal zone and is evaluated by OSPM to determine whether the values returned by temperature trip point and current operating temperature interfaces under the corresponding device or thermal zone represent absolute or relative temperature values.

**Arguments:**

None

**Return Value:**An **Integer** containing a relative versus absolute indicator

0       Temperatures are absolute

Other    Temperatures are relative

The return value is an integer that indicates whether values returned by temperature trip point and current operating temperature interfaces represent absolute or relative temperature values.

If the `_RTV` object is not present or is present and evaluates to zero then OSPM assumes that all values returned by temperature trip point and current operating temperature interfaces under the device or thermal zone represent absolute temperature values expressed in tenths of degrees Kelvin.

If the `_RTV` object is present and evaluates to a non zero value then all values returned by temperature trip point and current operating temperature interfaces under the corresponding device or thermal zone represent temperature values relative to a zero point that is defined as the maximum value of the device's or thermal zone's critical cooling temperature trip point. In this case, temperature trip point and current operating temperature interfaces return values in units that are tenths of degrees **below** the zero point.

OSPM evaluates the `_RTV` object before evaluating any other temperature trip point or current operating temperature interfaces.

**11.4.11 `_SCP` (Set Cooling Policy)**

This optional object is a control method that OSPM invokes to set the platform's cooling mode policy setting. The platform may use the evaluation of `_SCP` to reassign `_ACx` and `_PSV` temperature trip points according to the mode or limits conveyed by OSPM. OSPM will automatically evaluate `_ACx` and `_PSV` objects after executing `_SCP`. This object may exist under a thermal zone or a device.

**Arguments:** (3)Arg0 – *Mode*            An **Integer** containing the cooling mode policy codeArg1 – *AcousticLimit* An **Integer** containing the acoustic limitArg2 – *PowerLimit*    An **Integer** containing the power limit**Return Value:**

None

**Argument Information:**

*Mode* – 0 = Active, 1 = Passive

*Acoustic Limit* – Specifies the maximum acceptable acoustic level that active cooling devices may generate. Values are 1 to 5 where 1 means no acoustic tolerance and 5 means maximum acoustic tolerance.

*Power Limit* – Specifies the maximum acceptable power level that active cooling devices may consume. Values are from 1 to 5 where 1 means no power may be used to cool and 5 means maximum power may be used to cool.

**Example:**

```
// Fan Control is defined as follows:
// Speed 1 (Fan is Off): Acoustic Limit 1, Power Limit 1, <= 64C
// Speed 2:           Acoustic Limit 2, Power Limit 2, 65C - 74C
// Speed 3:           Acoustic Limit 3, Power Limit 3, 75C - 84C
// Speed 4:           Acoustic Limit 4, Power Limit 4, 85C - 94C
// Speed 5:           Acoustic Limit 5, Power Limit 5, >= 95C

// _SCP Notifies the platform the current cooling mode.
// Arg0 = Mode
//     0 - Active cooling
//     1 - Passive cooling
// Arg1 = Acoustic Limit
```

```

//      1 = No acoustic tolerance
//      ...
//      5 = maximum acoustic tolerance
// Arg2 = Power Limit
//      1 = No power may be used to cool
//      ...
//      5 = maximum power may be used to cool

Method(_SCP,3,Serialized)
{
    // Store the Cooling Mode in NVS and use as needed in
    // the rest of the ASL Code.
    Store(Arg0, CTYP)

    // Set PSVT to account for a Legacy OS that does not pass
    // in either the acoustic limit or Power Limit.
    If(Arg0)
    {
        Store(60,PSVT)
    }
    Else
    {
        Store(97,PSVT)
    }
    If (CondRefOf (_OSI,Local0))
    {
        If (\_OSI ("3.0 _SCP Extensions"))
        {
            // Determine Power Limit.
            //
            // NOTE1: PSVT = Passive Cooling Trip Point stored
            // in NVS in Celsius.
            //
            // NOTE2: 4 Active Cooling Trips Points correspond to 5
            // unique Power Limit regions and 5 unique acoustic limit
            // regions.
            //
            // NOTE3: This code will define Passive cooling so that
            // CPU throttling will be initiated within the Power Limit
            // Region passed in such that the next higher Power Limit
            // Region will not be reached.
            Switch(Arg2)
            {
                Case(1)          // Power Limit = 1.
                {
                    // Stay in Acoustic Limit 1.
                    Store(60,PSVT) // Passive = 60C.
                }
                Case(2)          // Power Limit = 2.
                {
                    // Store Highest supported Acoustic Level
                    // at this Power Limit (1 or 2).
                    Store(70,PSVT)
                    If(Lequal(Arg1,1))
                    {
                        // Stay in Acoustic Level 1.
                        Store(60,PSVT)
                    }
                }
                Case(3)          // Power Limit = 3.
                {
                    // Store Highest supported Acoustic Level
                    // at this Power Limit (1, 2, or 3).
                    Store(80,PSVT)
                    If(Lequal(Arg1,2))
                    {
                        // Stay in Acoustic Level 1 or 2.
                        Store(70,PSVT)
                    }
                    If(Lequal(Arg1,1))
                    {

```

```

        // Stay in Acoustic Level 1.
        Store(60,PSVT)
    }
}
Case(4)      // Power Limit = 4.
{
    // Store Highest supported Acoustic Level
    // at this Power Limit (1, 2, 3, or 4).
    Store(90,PSVT)
    If(Lequal(Arg1,3))
    {
        // Stay in Acoustic Level 1 or 2.
        Store(80,PSVT)
    }
    If(Lequal(Arg1,2))
    {
        // Stay in Acoustic Level 1 or 2.
        Store(70,PSVT)
    }
    If(Lequal(Arg1,1))
    {
        // Stay in Acoustic Level 1.
        Store(60,PSVT)
    }
}
Case(5)      // Power Limit = 5.
{
    // Store Highest supported Acoustic Level
    // at this Power Limit (1, 2, 3, 4, or 5).
    Store(97,PSVT)
    If(Lequal(Arg1,4))
    {
        // Stay in Acoustic Level 1 or 2.
        Store(90,PSVT)
    }
    If(Lequal(Arg1,3))
    {
        // Stay in Acoustic Level 1 or 2.
        Store(80,PSVT)
    }
    If(Lequal(Arg1,2))
    {
        // Stay in Acoustic Level 1 or 2.
        Store(70,PSVT)
    }
    If(Lequal(Arg1,1))
    {
        // Stay in Acoustic Level 1.
        Store(60,PSVT)
    }
} // Case 5
} // Switch Arg 2
} // _OSI - Extended _SCP
} // CondRefOf _OSI
} // Method _SCP

```

#### 11.4.12 \_TC1 (Thermal Constant 1)

This object evaluates to the constant \_TC1 for use in the Passive cooling formula:

$$\Delta\text{Performance} [\%] = \_TC1 * (T_n - T_{n-1}) + \_TC2 * (T_n - T_t)$$

Arguments:

None

Return Value:

An **Integer** containing Thermal Constant #1

### 11.4.13 **\_TC2 (Thermal Constant 2)**

This object evaluates to the constant `_TC2` for use in the Passive cooling formula:

$$\Delta\text{Performance} [\%] = \_TC1 * (T_n - T_{n-1}) + \_TC2 * (T_n - T_t)$$

Arguments:

None

Return Value:

An **Integer** containing Thermal Constant #2

### 11.4.14 **\_TMP (Temperature)**

This control method returns the thermal zone's current operating temperature.

Arguments:

None

Return Value:

An **Integer** containing the current temperature of the thermal zone (in tenths of degrees Kelvin)

The return value is the current temperature of the thermal zone in tenths of degrees Kelvin. For example, 300.0K is represented by the integer 3000.

### 11.4.15 **\_TPT (Trip Point Temperature)**

This optional object may be present under a device and is invoked by OSPM to indicate to the platform that the devices' embedded temperature sensor has crossed a cooling temperature trip point. After invocation, OSPM immediately evaluates the devices' Active and Passive cooling temperature trip point values. This enables the platform to implement hysteresis.

Arguments: (1)

Arg0 – An **Integer** containing the current value of the temperature sensor (in tenths Kelvin)

Return Value:

None

The `_TPT` object is deprecated in ACPI 4.0. The `_DTI` object, section 11.3.4 “`_DTI (Device Temperature Indication)`”, should be used instead.

### 11.4.16 **\_TRT (Thermal Relationship Table)**

This object evaluates to a package of packages each of which describes the thermal relationship between devices within a thermal zone. OSPM uses the combined information about the thermal relationships of all devices in the thermal zone to make thermal policy decisions.

Arguments:

None

Return Value:

A variable-length **Package** containing a list of Thermal Relationship **Packages** as described below

**Return Value Information**

```
Package {
    ThermalRelationship[0]    // Package
    ...
    ThermalRelationship[n]    // Package
}
```

Each ThermalRelationship sub-**Package** contains the elements described below:

```
Package {
    SourceDevice,           // Object Reference to a Device Object
    TargetDevice,          // Object Reference to a Device Object
    Influence,             // Integer
    SamplingPeriod,       // Integer
    Reserved1,            // Integer
    Reserved2,            // Integer
    Reserved3,            // Integer
    Reserved4              // Integer
},
```

**Table 11-7 Thermal Relationship Package Values**

Element	Object Type	Description
Source Device	<b>Reference</b> (to a device)	The device that is influencing the device indicated by <i>TargetDevice</i> .
Target Device	<b>Reference</b> (to a device)	The device that is influenced by the device indicated by <i>SourceDevice</i> .
Influence	<b>Integer</b>	The thermal influence of <i>SourceDevice</i> on <i>TargetDevice</i> - represented as tenths of degrees Kelvin that the device indicated by <i>SourceDevice</i> raises the temperature of the device indicated by <i>TargetDevice</i> per watt of thermal load that <i>SourceDevice</i> generates.
Sampling Period	<b>Integer</b>	The minimum period of time in tenths of seconds that OSPM should wait after applying a passive control to the device indicated by <i>SourceDevice</i> to detect its impact on the device indicated by <i>TargetDevice</i> .
Reserved (1-4)	<b>Integer</b>	Reserved for future use.

#### 11.4.17 \_TSP (Thermal Sampling Period)

This object evaluates to a thermal sampling period (in tenths of seconds) used by OSPM to implement the Passive cooling equation. This value, along with *\_TC1* and *\_TC2*, will enable OSPM to provide the proper hysteresis required by the system to accomplish an effective passive cooling policy.

Arguments:

None

Return Value:

An **Integer** containing the sampling period in tenths of seconds

The granularity of the sampling period is 0.1 seconds. For example, if the sampling period is 30.0 seconds, then *\_TSP* needs to report 300; if the sampling period is 0.5 seconds, then it will report 5. OSPM can normalize the sampling over a longer period if necessary.

#### 11.4.18 \_TST (Temperature Sensor Threshold)

This optional object may be present under a device and is evaluated by OSPM to determine the minimum separation for a devices' programmable temperature trip points. When a device contains multiple programmable temperature trip points, it may not be necessary for OSPM to poll the device's temperature after crossing a temperature trip point when performing passive cooling control policy.

Arguments:

None

Return Value:An **Integer** containing the sensor threshold (in tenths of degrees Kelvin)

To eliminate polling, the device can program intermediate trip points of interest (higher or lower than the current temperature) and signal the crossing of the intermediate trip points to OSPM. The distance between the current temperature and these intermediate trip points may be platform specific and must be set far enough away from the current temperature so as to not miss the crossing of a meaningful temperature point. The `_TST` object conveys the recommended minimum separation between the current temperature and an intermediate temperature trip point to OSPM.

**11.4.19 \_TZD (Thermal Zone Devices)**

This optional object evaluates to a package of device names. Each name corresponds to a device in the ACPI namespace that is associated with the thermal zone. The temperature reported by the thermal zone is roughly correspondent to that of each of the devices.

Arguments:

None

Return Value:A variable-length **Package** containing a list of **References** to thermal zone devices

The list of devices returned by the control method need not be a complete and absolute list of devices affected by the thermal zone. However, the package should at least contain the devices that would uniquely identify where this thermal zone is located in the machine. For example, a thermal zone in a docking station should include a device in the docking station, a thermal zone for the CD-ROM bay, should include the CD-ROM.

**11.4.20 \_TZM (Thermal Zone Member)**

This optional object may exist under any device definition and evaluates to a reference to the thermal zone of which the device is a member.

Arguments:

None

Return Value:A **Reference** to the parent device**11.4.21 \_TZP (Thermal Zone Polling)**

This optional object evaluates to a *recommended* polling frequency (in tenths of seconds) for this thermal zone. A value of zero indicates that OSPM does not need to poll the temperature of this thermal zone in order to detect temperature changes (the hardware is capable of generating asynchronous notifications).

Arguments:

None

Return Value:An **Integer** containing the recommended polling frequency in tenths of seconds

The return value contains the recommended polling frequency, in tenths of seconds. A value of zero indicates that polling is not necessary.

The use of polling is allowed but strongly discouraged by this specification. OEMs should design systems that asynchronously notify OSPM whenever a meaningful change in the zone's temperature occurs—relieving the OS of the overhead associated with polling. See section 11.1.3, “Detecting Temperature Changes,” for more information.



This value is specified as tenths of seconds with a 1 second granularity. A minimum value of 30 seconds (`_TZP` evaluates to 300) and a maximum value of 300 seconds (in other words, 5 minutes) (`_TZP` evaluates to 3000) may be specified. As this is a *recommended* value, OSPM will consider other factors when determining the actual polling frequency to use.

## 11.5 Native OS Device Driver Thermal Interfaces

OS implementations compatible with the ACPI 3.0 thermal model, interface with the thermal objects of a thermal zone but also comprehend the thermal zone devices' OS native device driver interfaces that perform similar functions to the thermal objects at the device level.

The recommended native OS device driver thermal interfaces that enable OSPM to perform optimal performance / thermal management include:

- Reading a value from a device's embedded thermal sensor
- Reading a value that indicates whether temperature and trip point values are reported in absolute or relative temperatures
- Setting the platform's cooling mode policy setting
- Reading the embedded thermal sensor's threshold
- Reading the device's active and passive cooling temperature trip points
- Reading the device's association to a thermal zone
- Signaling the crossing of a thermal trip point
- Reading the desired polling frequency at which to check the devices temperature if the device cannot signal OSPM or signal OSPM optimally (both before and after a temperature trip point is crossed)
- Setting / limiting a device's performance / throttling states
- Engaging / disengaging a device's active cooling controls

These interfaces are OS specific and as such the OS vendor defines the exact interface definition for each target operating system.

## 11.6 Thermal Zone Interface Requirements

While not all thermal zone interfaces are required to be present in each thermal zone, OSPM levies conditional requirements for the presence of specific thermal zone interfaces based on the existence of other related thermal zone interfaces. These interfaces may be implemented by thermal zone-wide objects or by OS-specific device driver exposed thermal interfaces. The requirements are outlined below:

- A thermal zone must contain at least one temperature interface; either the `_TMP` object or a member device temperature interface.
- A thermal zone must contain at least one trip point (critical, near critical, active, or passive).
- If `_ACx` is defined then an associated `_ALx` must be defined (e.g. defining `_AC0` requires `_AL0` also be defined).
- If `_PSV` is defined then either the `_PSL` or `_TZD` objects must exist. The `_PSL` and `_TZD` objects may both exist.
- If `_PSL` is defined then:
  - If a linear performance control register is defined (via either `P_BLK` or the `_PTC`, `_TSS`, `_TPC` objects) for a processor defined in `_PSL` or for a processor device in the zone as indicated by `_TZM` then the `_TC1`, `_TC2`, and objects must exist. The `_TSP` object must also be defined if the device requires polling.
  - If a linear performance control register is not defined (via either `P_BLK` or the `_PTC`, `_TSS`, `_TPC` objects) for a processor defined in `_PSL` or for a processor device in the zone as indicated by `_TZM` then the processor must support processor performance states (in other words, the processor's processor object must include `_PCT`, `_PSS`, and `_PPC`).
- If `_PSV` is defined and `_PSL` is not defined then at least one device in thermal zone, as indicated by either the `_TZD` device list or devices' `_TZM` objects, must support device performance states.
- `_SCP` is optional.

- `_TZD` is optional outside of the `_PSV` requirement outlined above.
- If `_HOT` is defined then the system must support the S4 sleeping state.

## 11.7 Thermal Zone Examples

### 11.7.1 Example: The Basic Thermal Zone

The following ASL describes a basic configuration where the entire system is treated as a single thermal zone. Cooling devices for this thermal zone consist of a processor and one single-speed fan. This is an example only.

Notice that this thermal zone object (TZ0) is defined in the `\_SB` scope. Thermal zone objects should appear in the namespace under the portion of the system that comprises the thermal zone. For example, a thermal zone that is isolated to a docking station should be defined within the scope of the docking station device. Besides providing for a well-organized namespace, this configuration allows OSPM to dynamically adjust its thermal policy as devices are added or removed from the system.

```
Scope(\_SB) {
    Processor(
        CPU0,
        1,          // unique number for this processor
        0x110,      // system IO address of Pblk Registers
        0x06        // length in bytes of PBlk
    ) {}
}

Scope(\_SB.PCI0.ISA0) {
    Device(EC0) {
        Name(_HID, EISAID("PNP0C09")) // ID for this EC
        // current resource description for this EC
        Name(_CRS, ResourceTemplate() {
            IO(Decode16, 0x62, 0x62, 0, 1)
            IO(Decode16, 0x66, 0x66, 0, 1)
        })
        Name(_GPE, 0) // GPE index for this EC

        // create EC's region and field for thermal support
        OperationRegion(EC0, EmbeddedControl, 0, 0xFF)
        Field(EC0, ByteAcc, Lock, Preserve) {
            MODE, 1, // thermal policy (quiet/perform)
            FAN, 1, // fan power (on/off)
            , 6, // reserved
            TMP, 16, // current temp
            AC0, 16, // active cooling temp (fan high)
            , 16, // reserved
            PSV, 16, // passive cooling temp
            HOT, 16, // critical S4 temp
            CRT, 16 // critical temp
        }

        // following is a method that OSPM will schedule after
        // it receives an SCI and queries the EC to receive value 7
        Method(_Q07) {
            Notify (\_SB.PCI0.ISA0.EC0.TZ0, 0x80)
        } // end of Notify method

        // fan cooling on/off - engaged at AC0 temp
        PowerResource(PFAN, 0, 0) {
            Method(_STA) { Return (\_SB.PCI0.ISA0.EC0.FAN) } // check power state
            Method(_ON) { Store (One, \_SB.PCI0.ISA0.EC0.FAN) } // turn on fan
            Method(_OFF) { Store ( Zero, \_SB.PCI0.ISA0.EC0.FAN) } // turn off fan
        }
    }
}
```

```

// Create FAN device object
Device (FAN) {
    // Device ID for the FAN
    Name(_HID, EISAID("PNP0C0B"))
    // list power resource for the fan
    Name(_PR0, Package()){PFAN})
}

// create a thermal zone
ThermalZone (TZ0) {
    Method(_TMP) { Return (\_SB.PCI0.ISA0.EC0.TMP )} // get current temp
    Method(_AC0) { Return (\_SB.PCI0.ISA0.EC0.AC0 )} // fan high temp
    Name(_AL0, Package()){\_SB.PCI0.ISA0.EC0.FAN}) // fan is act cool dev
    Method(_PSV) { Return (\_SB.PCI0.ISA0.EC0.PSV )} // passive cooling temp
    Name(_PSL, Package ()){\_SB.CPU0}) // passive cooling devices
    Method(_HOT) { Return (\_SB.PCI0.ISA0.EC0.HOT )} // get critical S4 temp
    Method(_CRT) { Return (\_SB.PCI0.ISA0.EC0.CRT )} // get critical temp
    Method(_SCP, 1) { Store (Arg1, \_SB.PCI0.ISA0.EC0.MODE) } // set cooling mode
    Name(_TC1, 4) // bogus example constant
    Name(_TC2, 3) // bogus example constant
    Name(_TSP, 150) // passive sampling = 15 sec
    Name(_TZP, 0) // polling not required
} // end of TZ0
} // end of ECO
} // end of \_SB.PCI0.ISA0 scope-
} // end of \_SB scope

```

## 11.7.2 Example: Multiple-Speed Fans

The following ASL describes a thermal zone consisting of a processor and one dual-speed fan. As with the previous example, this thermal zone object (TZ0) is defined in the `\_SB` scope and represents the entire system. This is an example only.

```

Scope(\_SB) {
    Processor(
        CPU0,
        1, // unique number for this processor
        0x110, // system IO address of Pblk Registers
        0x06 // length in bytes of PBlk
    ) {}
}

Scope(\_SB.PCI0.ISA0) {
    Device(EC0) {
        Name(_HID, EISAID("PNP0C09")) // ID for this EC
        // current resource description for this EC
        Name(_CRS, ResourceTemplate() {
            IO(Decode16, 0x62, 0x62, 0, 1)
            IO(Decode16, 0x66, 0x66, 0, 1)
        })
        Name(_GPE, 0) // GPE index for this EC

        // create EC's region and field for thermal support
        OperationRegion(EC0, EmbeddedControl, 0, 0xFF)
        Field(EC0, ByteAcc, Lock, Preserve) {
            MODE, 1, // thermal policy (quiet/perform)
            FAN0, 1, // fan strength high/off
            FAN1, 1, // fan strength low/off
            , 5, // reserved
            TMP, 16, // current temp
            ACO, 16, // active cooling temp (high)
            ACL, 16, // active cooling temp (low)
            PSV, 16, // passive cooling temp
            HOT, 18, // critical S4 temp
            CRT, 16 // critical temp
        }
    }
}

```

```

// following is a method that OSPM will schedule after it
// receives an SCI and queries the EC to receive value 7
Method(_Q07) {
    Notify (\_SB.PCI0.ISA0.EC0.TZ0, 0x80)
} end of Notify method

// fan cooling mode high/off - engaged at AC0 temp
PowerResource(FN10, 0, 0) {
    Method(_STA) { Return (\_SB.PCI0.ISA0.EC0.FAN0) } // check power state
    Method(_ON) { Store (One, \_SB.PCI0.ISA0.EC0.FAN0) } // turn on fan at high
    Method(_OFF) { Store (Zero, \_SB.PCI0.ISA0.EC0.FAN0) } // turn off fan
}

// fan cooling mode low/off - engaged at AC1 temp
PowerResource(FN11, 0, 0) {
    Method(_STA) { Return (\_SB.PCI0.ISA0.EC0.FAN1) } // check power state
    Method(_ON) { Store (One, \_SB.PCI0.ISA0.EC0.FAN1) } // turn on fan at low
    Method(_OFF) { Store (Zero, \_SB.PCI0.ISA0.EC0.FAN1) } // turn off fan
}

// Following is a single fan with two speeds. This is represented
// by creating two logical fan devices. When FN2 is turned on then
// the fan is at a low speed. When FN1 and FN2 are both on then
// the fan is at high speed.
//
// Create FAN device object FN1
Device (FN1) {
    // Device ID for the FAN
    Name(_HID, EISAID("PNP0C0B"))
    Name(_UID, 0)
    Name(_PR0, Package(){FN10, FN11})
}

// Create FAN device object FN2
Device (FN2) {
    // Device ID for the FAN
    Name(_HID, EISAID("PNP0C0B"))
    Name(_UID, 1)
    Name(_PR0, Package(){FN10})
}

// create a thermal zone
ThermalZone (TZ0) {
    Method(_TMP) { Return (\_SB.PCI0.ISA0.EC0.TMP) } // get current temp
    Method(_AC0) { Return (\_SB.PCI0.ISA0.EC0.AC0) } // fan high temp
    Method(_AC1) { Return (\_SB.PCI0.ISA0.EC0.AC1) } // fan low temp
    Name(_AL0, Package() {\_SB.PCI0.ISA0.EC0.FN1}) // active cooling (high)
    Name(_AL1, Package() {\_SB.PCI0.ISA0.EC0.FN2}) // active cooling (low)
    Method(_PSV) { Return (\_SB.PCI0.ISA0.EC0.PSV) } // passive cooling temp
    Name(_PSL, Package() {\_SB.CPU0}) // passive cooling devices
    Method(_HOT) { Return (\_SB.PCI0.ISA0.EC0.HOT) } // get critical S4 temp
    Method(_CRT) { Return (\_SB.PCI0.ISA0.EC0.CRT) } // get crit. temp
    Method(_SCP, 1) { Store (Arg1, \_SB.PCI0.ISA0.EC0.MODE) } // set cooling mode
    Name(_TC1, 4) // bogus example constant
    Name(_TC2, 3) // bogus example constant
    Name(_TSP, 150) // passive sampling = 15 sec
    Name(_TZP, 0) // polling not required
} // end of TZ0

} // end of ECO
} // end of \_SB.PCI0.ISA0 scope
} // end of \_SB scope

```

### 11.7.3 Example: Thermal Zone with Multiple Devices

```

Scope(\_SB) {
    Device(CPU0) {

```

```

Name(_HID, "ACPI0007")
Name(_UID, 0)

//
// Load additional objects if 3.0 Thermal model support is available
//
Method(_INI, 0) {
    If (\_OSI("3.0 Thermal Model")) {
        LoadTable("OEM1", "PmRef", "Cpu0", "\\_SB.CPU0") // 3.0 Thermal Model
    }
}

// For brevity, most processor objects have been excluded
// from this example (such as _PSS, _CST, _PCT, _PPC, etc.)

// Processor Throttle Control object
Name(_PTC, ResourceTemplate() {
    Register(SystemIO, 32, 0, 0x120) // Processor Control
    Register(SystemIO, 32, 0, 0x120) // Processor Status
})

// Throttling Supported States
// The values shown are for exemplary purposes only
Name(_TSS, Package() {
    // Read: freq percentage, power, latency, control, status
    Package() {0x64, 1000, 0x0, 0x7, 0x0}, // Throttle off (100%)
    Package() {0x58, 800, 0x0, 0xF, 0x0}, // 87.5%
    Package() {0x4B, 600, 0x0, 0xE, 0x0}, // 75%
    Package() {0x3F, 400, 0x0, 0xD, 0x0} // 62.5%
})

// Throttling Present Capabilities
// The values shown are for exemplary purposes only
Method(_TPC) {
    If(\_SB.AC) {
        Return(0) // All throttle states available
    } Else {
        Return(2) // Throttle states >= 2 are available
    }
}
} // end of CPU0 scope

Device(CPU1) {

    Name(_HID, "ACPI0007")
    Name(_UID, 1)

    //
    // Load additional objects if 3.0 Thermal model support is available
    //
    Method(_INI, 0) {
        If (\_OSI("3.0 Thermal Model")) {
            LoadTable("OEM1", "PmRef", "Cpu1", "\\_SB.CPU1") // 3.0 Thermal Model
        }
    }

    // For brevity, most processor objects have been excluded
    // from this example (such as _PSS, _CST, _PCT, _PPC, _PTC, etc.)

    // Processor Throttle Control object
    Name(_PTC, ResourceTemplate() {
        Register(SystemIO, 32, 0, 0x120) // Processor Control
        Register(SystemIO, 32, 0, 0x120) // Processor Status
    })

    // Throttling Supported States
    // The values shown are for exemplary purposes only
    Name(_TSS, Package() {
        // Read: freq percentage, power, latency, control, status
        Package() {0x64, 1000, 0x0, 0x7, 0x0}, // Throttle off (100%)
        Package() {0x58, 800, 0x0, 0xF, 0x0}, // 87.5%
    })
}

```

```

        Package() {0x4B, 600, 0x0, 0xE, 0x0}, // 75%
        Package() {0x3F, 400, 0x0, 0xD, 0x0} // 62.5%
    })

    // Throttling Present Capabilities
    // The values shown are for exemplary purposes only
    Method(_TPC) {
        If(\_SB.AC) {
            Return(0) // All throttle states available
        } Else {
            Return(2) // Throttle states >= 2 are available
        }
    }
} // end of CPU1 scope

Scope(\_SB.PCI0.ISA0) {
    Device(EC0) {
        Name(_HID, EISAID("PNP0C09")) // ID for this EC

        //
        // Load additional objects if 3.0 Thermal model support is available
        //
        Method(_INI, 0) {
            If (\_OSI("3.0 Thermal Model")) {
                LoadTable("OEM1", "PmRef", "Tz3", "\\_SB.PCI0.ISA0.EC0") // 3.0 Tz
            }
        }

        // Current resource description for this EC
        Name(_CRS,
            ResourceTemplate() {
                IO(Decode16, 0x62, 0x62, 0, 1)
                IO(Decode16, 0x66, 0x66, 0, 1)
            })

        Name(_GPE, 0) // GPE index for this EC

        // Create EC's region and field for thermal support
        OperationRegion(EC0, EmbeddedControl, 0, 0xFF)
        Field(EC0, ByteAcc, Lock, Preserve) {
            MODE, 1, // thermal policy (quiet/perform)
            FAN0, 1, // fan strength high/off
            , 6, // reserved
            TMP, 16, // current temp
            ACO, 16, // active cooling temp
            PSV, 16, // passive cooling temp
            HOT, 16, // critical S4 temp
            CRT, 16 // critical temp
        }

        // Following is a method that OSPM will schedule after it
        // fan cooling mode high/off - engaged at ACO temp
        PowerResource(FN10, 0, 0) {
            Method(_STA) { Return (\_SB.PCI0.ISA0.EC0.FAN0) } // check power state
            Method(_ON) { Store (One, \_SB.PCI0.ISA0.EC0.FAN0) } // turn on fan at high
            Method(_OFF) { Store (Zero, \_SB.PCI0.ISA0.EC0.FAN0) } // turn off fan
        }

        // Following is a single fan with one speed.
        // Create FAN device object FN1
        Device (FN1) {
            // Device ID for the FAN
            Name(_HID, EISAID("PNP0C0B"))
            Name(_UID, 0)
            Name(_PR0, Package(){FN10})
        }

        // Receives an SCI and queries the EC to receive value 7
        Method(_Q07) {
            Notify (\_SB.PCI0.ISA0.EC0.TZ0, 0x80)
        } // end of Notify method
    }
}

```

```

// Create standard specific thermal zone
ThermalZone (TZ0) {
    Method(_TMP) { Return (\_SB.PCI0.ISA0.EC0.TMP )} // get current temp
    Name(_PSL, Package() {\_SB.CPU0, \_SB.CPU1}) // passive cooling devices
    Name(_AL0, Package() {\_SB.PCI0.ISA0.EC0.FN1}) // active cooling
    Method(_AC0) { Return (\_SB.PCI0.ISA0.EC0.AC0 )} // fan temp (high)
    Method(_AC1) { Return (\_SB.PCI0.ISA0.EC0.AC1 )} // fan temp (low)
    Method(_PSV) { Return (\_SB.PCI0.ISA0.EC0.PSV )} // passive cooling temp
    Method(_HOT) { Return (\_SB.PCI0.ISA0.EC0.HOT )} // get critical S4 temp
    Method(_CRT) { Return (\_SB.PCI0.ISA0.EC0.CRT )} // get crit. temp
    Name(_TC1, 4) // bogus example constant
    Name(_TC2, 3) // bogus example constant
    Method(_SCP, 1) { Store (Arg0, \_SB.PCI0.ISA0.EC0.MODE) } // set cooling mode
    Name(_TSP, 150) // passive sampling = 15 sec
} // end of TZ0

} // end of ECO
} // end of \_SB.PCI0.ISA0 scope
} // end of \_SB scope

//
// ACPI 3.0 Thermal Model SSDT
//
DefinitionBlock (
    "TZASSDT.aml",
    "OEM1",
    0x01,
    "PmRef",
    "Tz3",
    0x3000
)
{
    External(\_SB.PCI0.ISA0.EC0, DeviceObj)
    External(\_SB.CPU0, DeviceObj)
    External(\_SB.CPU1, DeviceObj)

    Scope(\_SB.PCI0.ISA0.EC0)
    {
        // Create an ACPI 3.0 specific thermal zone
        ThermalZone (TZ0) {
            // This TRT is for exemplary purposes only
            Name(_TRT, Package() {
                // Thermal relationship package data. A package is generated for
                // each permutation of device sets. 2 devices = 4 entries.
                // Read: source, target, thermal influence, sampling period, 4 reserved
                Package () {\_SB.CPU0, \_SB.CPU0, 20, 1, 0, 0, 0, 0},
                Package () {\_SB.CPU0, \_SB.CPU1, 10, 15, 0, 0, 0, 0},
                Package () {\_SB.CPU1, \_SB.CPU0, 10, 15, 0, 0, 0, 0},
                Package () {\_SB.CPU1, \_SB.CPU1, 20, 1, 0, 0, 0, 0}
            }) // end of TRT
        } // end of TZ0
    } // end of ECO Scope
} // end of SSDT

```

```

//
// CPU0 3.0 Thermal Model SSDT
//
DefinitionBlock (
    "CPU0SSDT.aml",
    "OEM1",
    0x01,
    "PmRef",
    "CPU0",
    0x3000
)
{
    External(\_SB.CPU0, DeviceObj)
    External(\_SB.PCI0.ISA0.TZ0, ThermalZoneObj)

    Scope(\_SB.CPU0)
    {
        //
        // Add the objects required for 3.0 extended thermal support
        //
        // Create a region and fields for thermal support; the platform
        // fills in the values and traps on writes to enable hysteresis.
        // The Operation Region location is invalid
        OperationRegion(CP00, SystemMemory, 0x00000000, 0xA)
        Field(CP00, ByteAcc, Lock, Preserve) {
            SCP,    1,    // thermal policy (passive/active)
            RTV,    1,    // absolute or relative temperature
            ,       6,    // reserved
            ACO,    16,   // active cooling temp
            PSV,    16,   // passive cooling temp
            CRT,    16,   // critical temp
            TPT,    16,   // Temp trip point crossed
            TST,    8     // Temp sensor threshold
        }

        Method(_TZM, 0) { Return(\_SB.PCI0.ISA0.TZ0) } // thermal zone member

        // Some thermal zone methods are now located under the
        // thermal device participating in the 3.0 thermal model.
        // These methods provide device specific thermal information
        Method(_SCP, 1) { Store (Arg0, \_SB.CPU0.SCP) } // set cooling mode
        Method(_RTV) { Return (\_SB.CPU0.RTV) } // absolute or relative temp
        Method(_ACO) { Return (\_SB.CPU0.ACO) } // active cooling (fan) temp
        Method(_PSV) { Return (\_SB.CPU0.PSV) } // passive cooling temp
        Method(_CRT) { Return (\_SB.CPU0.CRT) } // critical temp
        Name(_TC1, 4) // thermal constant 1 (INVALID)
        Name(_TC2, 3) // thermal constant 2 (INVALID)
        Method(_TPT, 1) { Store (Arg0, \_SB.CPU0.TPT) } // trip point temp
        Method(_TST) { Return (\_SB.CPU0.TST) } // temp sensor threshold

    } // end of CPU0 scope
} // end of SSDT

```



```

//
// CPU1 3.0 Thermal Model SSDT
//
DefinitionBlock (
    "CPU1SSDT.aml",
    "OEM1",
    0x01,
    "PmRef",
    "CPU1",
    0x3000
)
{
    External(\_SB.CPU1, DeviceObj)
    External(\_SB.PCI0.ISA0.TZ0, ThermalZoneObj)

    Scope(\_SB.CPU1)
    {
        //
        // Add the objects required for 3.0 extended thermal support
        //
        // Create a region and fields for thermal support; the platform
        // fills in the values and traps on writes to enable hysteresis.
        // The Operation Region location is invalid
        OperationRegion(CP01, SystemIO, 0x00000008, 0xA)
        Field(CP01, ByteAcc, Lock, Preserve) {
            SCP, 1, // thermal policy (passive/active)
            RTV, 1, // absolute or relative temperature
            , 6, // reserved
            ACO, 16, // active cooling temp
            PSV, 16, // passive cooling temp
            CRT, 16, // critical temp
            TPT, 16, // Temp trip point crossed
            TST, 8 // Temp sensor threshold
        }

        Method(_TZM, 0) { Return(\_SB.PCI0.ISA0.TZ0) } // thermal zone member

        // Some thermal zone methods are now located under the
        // thermal device participating in the 3.0 thermal model.
        // These methods provide device specific thermal information
        Method(_SCP, 1) { Store (Arg0, \_SB.CPU1.SCP) } // set cooling mode
        Method(_RTV) { Return (\_SB.CPU1.RTV) } // absolute or relative temp
        Method(_ACO) { Return (\_SB.CPU1.ACO) } // active cooling (fan) temp
        Method(_PSV) { Return (\_SB.CPU1.PSV) } // passive cooling temp
        Method(_CRT) { Return (\_SB.CPU1.CRT) } // critical temp
        Name(_TC1, 4) // thermal constant 1 (INVALID)
        Name(_TC2, 3) // thermal constant 2 (INVALID)
        Method(_TPT, 1) { Store (Arg0, \_SB.CPU1.TPT) } // trip point temp
        Method(_TST) { Return (\_SB.CPU1.TST) } // temp sensor threshold

    } // end of CPU1 scope
} // end of SSDT

```



## 12 ACPI Embedded Controller Interface Specification

ACPI defines a standard hardware and software communications interface between an OS driver and an embedded controller. This allows any OS to provide a standard driver that can directly communicate with an embedded controller in the system, thus allowing other drivers within the system to communicate with and use the resources of system embedded controllers. This in turn enables the OEM to provide platform features that the OS OS/PM and applications can take advantage of.

ACPI also defines a standard hardware and software communications interface between an OS driver and an Embedded Controller-based SMB-HC (EC-SMB-HC).

The ACPI standard supports multiple embedded controllers in a system, each with its own resources. Each embedded controller has a flat byte-addressable I/O space, currently defined as 256 bytes. Features implemented in the embedded controller have an event “query” mechanism that allows feature hardware implemented by the embedded controller to gain the attention of an OS driver or ASL/AML code handler. The interface has been specified to work on the most popular embedded controllers on the market today, only requiring changes in the way the embedded controller is “wired” to the host interface.

Two interfaces are specified:

- A private interface, exclusively owned by the embedded controller driver.
- A shared interface, used by the embedded controller driver and some other driver.

This interface is separate from the traditional PC keyboard controller. Some OEMs might choose to implement the ACPI Embedded Controller Interface (ECI) within the same embedded controller as the keyboard controller function, but the ECI requires its own unique host resources (interrupt event and access registers).

This interface does support sharing the ECI with an inter-environment interface (such as SMI) and relies on the ACPI-defined “Global Lock” protocol. For information about the Global Lock interface, see section 5.2.10.1, “Global Lock.” Both the shared and private EC interfaces are described in the following sections.

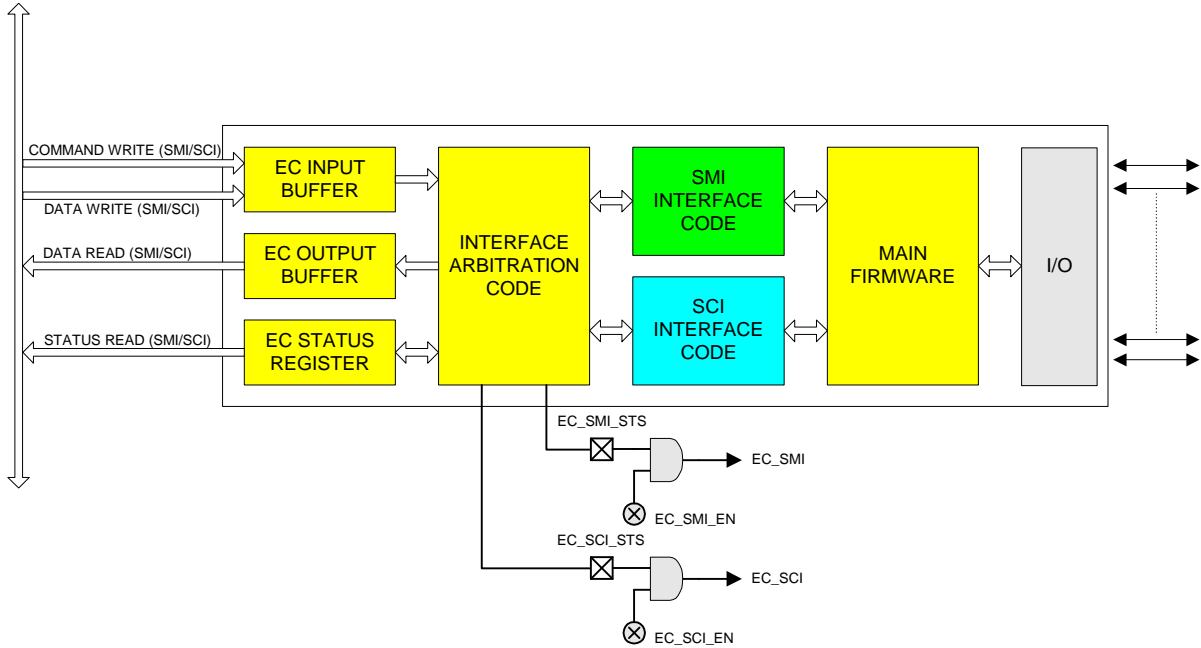
The ECI has been designed such that a platform can use it in either the legacy or ACPI modes with minimal changes between the two operating environments. This is to encourage standardization for this interface to enable faster development of platforms as well as opening up features within these controllers to higher levels of software.

### 12.1 Embedded Controller Interface Description

Embedded controllers are the general class of microcontrollers used to support OEM-specific implementations. The ACPI specification supports embedded controllers in any platform design, as long as the microcontroller conforms to one of the models described in this section. The embedded controller is a unique feature in that it can perform complex low-level functions through a simple interface to the host microprocessor(s).

Although there is a large variety of microcontrollers in the market today, the most commonly used embedded controllers include a host interface that connects the embedded controller to the host data bus, allowing bi-directional communications. A bi-directional interrupt scheme reduces the host processor latency in communicating with the embedded controller.

Currently, the most common host interface architecture incorporated into microcontrollers is modeled after the standard IA-PC architecture keyboard controller. This keyboard controller is accessed at 0x60 and 0x64 in system I/O space. Port 0x60 is termed the data register, and allows bi-directional data transfers to and from the host and embedded controller. Port 0x64 is termed the command/status register; it returns port status information upon a read, and generates a command sequence to the embedded controller upon a write. This same class of controllers also includes a second decode range that shares the same properties as the keyboard interface by having a command/status register and a data register. The following diagram graphically depicts this interface.



**Figure 12-1 Shared Interface**

The diagram above depicts the general register model supported by the ACPI Embedded Controller Interface.

The first method uses an embedded controller interface shared between OSPM and the system management code, which requires the Global Lock semaphore overhead to arbitrate ownership. The second method is a dedicated embedded controller decode range for sole use by OSPM driver. The following diagram illustrates the embedded controller architecture that includes a dedicated ACPI interface.

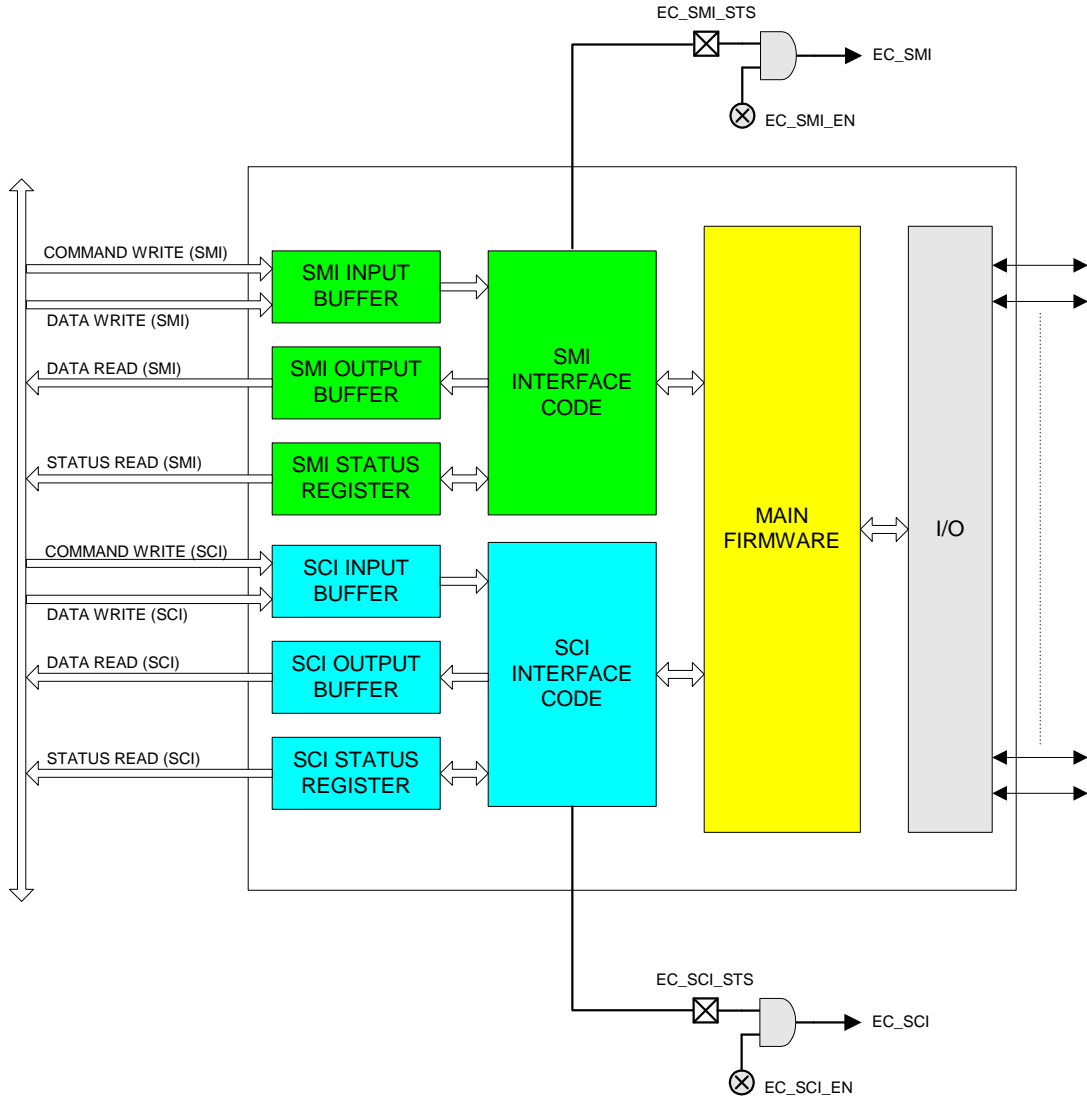


Figure 12-2 Private Interface

The private interface allows OSPM to communicate with the embedded controller without the additional software overhead associated with using the Global Lock. Several common system configurations can provide the additional embedded controller interfaces:

- Non-shared embedded controller. This will be the most common case where there is no need for the system management handler to communicate with the embedded controller when the system transitions to ACPI mode. OSPM processes all normal types of system management events, and the system management handler does not need to take any actions.
- Integrated keyboard controller and embedded controller. This provides three host interfaces as described earlier by including the standard keyboard controller in an existing component (chip set, I/O controller) and adding a discrete, standard embedded controller with two interfaces for system management activities.
- Standard keyboard controller and embedded controller. This provides three host interfaces by providing a keyboard controller as a distinct component, and two host interfaces are provided in the embedded controller for system management activities.
- Two embedded controllers. This provides up to four host interfaces by using two embedded controllers; one controller for system management activities providing up to two host interfaces, and one controller for keyboard controller functions providing up to two host interfaces.
- Embedded controller and no keyboard controller. Future platforms might provide keyboard functionality through an entirely different mechanism, which would allow for two host interfaces in an embedded controller for system management activities.

To handle the general embedded controller interface (as opposed to a dedicated interface) model, a method is available to make the embedded controller a shareable resource between multiple tasks running under the operating system's control and the system management interrupt handler. This method, as described in this section, requires several changes:

- Additional external hardware
- Embedded controller firmware changes
- System management interrupt handler firmware changes
- Operating software changes

Access to the shared embedded controller interface requires additional software to arbitrate between the operating system's use of the interface and the system management handler's use of the interface. This is done using the Global Lock as described in section 5.2.10.1, "Global Lock."

This interface sharing protocol also requires embedded controller firmware changes, in order to ensure that collisions do not occur at the interface. A collision could occur if a byte is placed in the system output buffer and an interrupt is then generated. There is a small window of time when the incorrect recipient could receive the data. This problem is resolved by ensuring that the firmware in the embedded controller does not place any data in the output buffer until it is requested by OSPM or the system management handler.

More detailed algorithms and descriptions are provided in the following sections.

## 12.2 Embedded Controller Register Descriptions

The embedded controller contains three registers at two address locations: EC\_SC and EC\_DATA. The EC\_SC, or Embedded Controller Status/Command register, acts as two registers: a status register for reads to this port and a command register for writes to this port. The EC\_DATA (Embedded Controller Data register) acts as a port for transferring data between the host CPU and the embedded controller.

### 12.2.1 Embedded Controller Status, EC\_SC (R)

This is a read-only register that indicates the current status of the embedded controller interface.

Bit7	Bit6	Bit5	Bit4	Bit3	Bit2	Bit1	Bit0
IGN	SMI_EVT	SCI_EVT	BURST	CMD	IGN	IBF	OBF

Where:

- IGN: Ignored
- SMI\_EVT: 1 – Indicates SMI event is pending (requesting SMI query).  
0 – No SMI events are pending.
- SCI\_EVT: 1 – Indicates SCI event is pending (requesting SCI query).  
0 – No SCI events are pending.
- BURST: 1 – Controller is in burst mode for polled command processing.  
0 – Controller is in normal mode for interrupt-driven command processing.
- CMD: 1 – Byte in data register is a command byte (only used by controller).  
0 – Byte in data register is a data byte (only used by controller).
- IBF: 1 – Input buffer is full (data ready for embedded controller).  
0 – Input buffer is empty.
- OBF: 1 – Output buffer is full (data ready for host).  
0 – Output buffer is empty.

The Output Buffer Full (OBF) flag is set when the embedded controller has written a byte of data into the command or data port but the host has not yet read it. After the host reads the status byte and sees the OBF flag set, the host reads the data port to get the byte of data that the embedded controller has written. After the host reads the data byte, the OBF flag is cleared automatically by hardware. This signals the embedded controller that the data has been read by the host and the embedded controller is free to write more data to the host.

The Input Buffer Full (IBF) flag is set when the host has written a byte of data to the command or data port, but the embedded controller has not yet read it. After the embedded controller reads the status byte and sees the IBF flag set, the embedded controller reads the data port to get the byte of data that the host has written. After the embedded controller reads the data byte, the IBF flag is automatically cleared by hardware. This is the signal to the host that the data has been read by the embedded controller and that the host is free to write more data to the embedded controller.

The SCI event (SCI\_EVT) flag is set when the embedded controller has detected an internal event that requires the operating system's attention. The embedded controller sets this bit in the status register, and generates an SCI to OSPM. OSPM needs this bit to differentiate command-complete SCIs from notification SCIs. OSPM uses the query command to request the cause of the SCI\_EVT and take action. For more information, see section 13.3, "Embedded Controller Command Set.")

The SMI event (SMI\_EVT) flag is set when the embedded controller has detected an internal event that requires the system management interrupt handler's attention. The embedded controller sets this bit in the status register before generating an SMI.

The Burst (BURST) flag indicates that the embedded controller has received the burst enable command from the host, has halted normal processing, and is waiting for a series of commands to be sent from the host. This allows OSPM or system management handler to quickly read and write several bytes of data at a time without the overhead of SCIs between the commands.

### 12.2.2 Embedded Controller Command, EC\_SC (W)

This is a write-only register that allows commands to be issued to the embedded controller. Writes to this port are latched in the input data register and the input buffer full flag is set in the status register. Writes to this location also cause the command bit to be set in the status register. This allows the embedded controller to differentiate the start of a command sequence from a data byte write operation.

### 12.2.3 Embedded Controller Data, EC\_DATA (R/W)

This is a read/write register that allows additional command bytes to be issued to the embedded controller, and allows OSPM to read data returned by the embedded controller. Writes to this port by the host are latched in the input data register, and the input buffer full flag is set in the status register. Reads from this register return data from the output data register and clear the output buffer full flag in the status register.

## 12.3 Embedded Controller Command Set

The embedded controller command set allows OSPM to communicate with the embedded controllers. ACPI defines the commands and their byte encodings for use with the embedded controller that are shown in the following table.

**Table 12-1 Embedded Controller Commands**

Embedded Controller Command	Command Byte Encoding
Read Embedded Controller (RD_EC)	0x80
Write Embedded Controller (WR_EC)	0x81
Burst Enable Embedded Controller (BE_EC)	0x82
Burst Disable Embedded Controller (BD_EC)	0x83
Query Embedded Controller (QR_EC)	0x84

### 12.3.1 Read Embedded Controller, RD\_EC (0x80)

This command byte allows OSPM to read a byte in the address space of the embedded controller. This command byte is reserved for exclusive use by OSPM, and it indicates to the embedded controller to generate SCIs in response to related transactions (that is, IBF=0 or OBF=1 in the EC Status Register), rather than SMIs. This command consists of a command byte written to the Embedded Controller Command register (EC\_SC), followed by an address byte written to the Embedded Controller Data register (EC\_DATA). The embedded controller then returns the byte at the addressed location. The data is read at the data port after the OBF flag is set.

### 12.3.2 Write Embedded Controller, WR\_EC (0x81)

This command byte allows OSPM to write a byte in the address space of the embedded controller. This command byte is reserved for exclusive use by OSPM, and it indicates to the embedded controller to generate SCIs in response to related transactions (that is, IBF=0 or OBF=1 in the EC Status Register), rather than SMIs. This command allows OSPM to write a byte in the address space of the embedded controller. It consists of a command byte written to the Embedded Controller Command register (EC\_SC), followed by an address byte written to the Embedded Controller Data register (EC\_DATA), followed by a data byte written to the Embedded Controller Data Register (EC\_DATA); this is the data byte written at the addressed location.



### 12.3.3 Burst Enable Embedded Controller, BE\_EC (0x82)

This command byte allows OSPM to request dedicated attention from the embedded controller and (except for critical events) prevents the embedded controller from doing tasks other than receiving command and data from the host processor (either the system management interrupt handler or OSPM). This command is an optimization that allows the host processor to issue several commands back to back, in order to reduce latency at the embedded controller interface. When the controller is in the burst mode, it should transition to the burst disable state if the host does not issue a command within the following guidelines:

- First Access – 400 microseconds
- Subsequent Accesses – 50 microseconds each
- Total Burst Time – 1 millisecond

In addition, the embedded controller can disengage the burst mode at any time to process a critical event. If the embedded controller disables burst mode for any reason other than the burst disable command, it should generate an SCI to OSPM to indicate the change.

While in burst mode, the embedded controller follows these guidelines for OSPM driver:

SCIs are generated as normal, including IBF=0 and OBF=1.

Accesses should be responded to within 50 microseconds.

Burst mode is entered in the following manner:

OSPM driver writes the Burst Enable Embedded Controller, BE\_EC (0x82) command byte and then the Embedded Controller will prepare to enter the Burst mode. This includes processing any routine activities such that it should be able to remain dedicated to OSPM interface for ~ 1 microsecond.

The Embedded Controller sets the Burst bit of the Embedded Controller Status Register, puts the Burst Acknowledge byte (0x90) into the SCI output buffer, sets the OBF bit, and generates an SCI to signal OSPM that it is in Burst mode.

Burst mode is exited the following manner:

OSPM driver writes the Burst Disable Embedded Controller, BD\_EC (0x83) command byte and then the Embedded Controller will exit Burst mode by clearing the Burst bit in the Embedded Controller Status register and generating an SCI signal (due to IBF=0).

The Embedded Controller clears the Burst bit of the Embedded Controller Status Register.

### 12.3.4 Burst Disable Embedded Controller, BD\_EC (0x83)

This command byte releases the embedded controller from a previous burst enable command and allows it to resume normal processing. This command is sent by OSPM or system management interrupt handler after it has completed its entire queued command sequence to the embedded controller.

### 12.3.5 Query Embedded Controller, QR\_EC (0x84)

OSPM driver sends this command when the SCI\_EVT flag in the EC\_SC register is set. When the embedded controller has detected a system event that must be communicated to OSPM, it first sets the SCI\_EVT flag in the EC\_SC register, generates an SCI, and then waits for OSPM to send the query (QR\_EC) command. OSPM detects the embedded controller SCI, sees the SCI\_EVT flag set, and sends the query command to the embedded controller. Upon receipt of the QR\_EC command byte, the embedded controller places a notification byte with a value between 0-255, indicating the cause of the notification. The notification byte indicates which interrupt handler operation should be executed by OSPM to process the embedded controller SCI. The query value of zero is reserved for a spurious query result and indicates “no outstanding event.”

## 12.4 SMBus Host Controller Notification Header (Optional), OS\_SMB\_EVT

This query command notification header is the special return code that indicates events with an SMBus controller implemented within an embedded controller. These events include:

- Command completion
- Command error
- Alarm reception

The actual notification value is declared in the EC-SMB-HC device object in the ACPI Namespace.

## 12.5 Embedded Controller Firmware

The embedded controller firmware must obey the following rules in order to be ACPI-compatible:

- **SMI Processing.** Although it is not explicitly stated in the command specification section, a shared embedded controller interface has a separate command set for communicating with each environment it plans to support. In other words, the embedded controller knows which environment is generating the command request, as well as which environment is to be notified upon event detection, and can then generate the correct interrupts and notification values. This implies that a system management handler uses commands that parallel the functionality of all the commands for ACPI including query, read, write, and any other implemented specific commands.
- **SCI/SMI Task Queuing.** If the system design is sharing the interface between both a system management interrupt handler and OSPM, the embedded controller should always be prepared to queue a notification if it receives a command. The embedded controller only sets the appropriate event flag in the status (EC\_SC) register if the controller has detected an event that should be communicated to the OS or system management handler. The embedded controller must be able to field commands from either environment without loss of the notification event. At some later time, the OS or system management handler issues a query command to the embedded controller to request the cause of the notification event.
- **Notification Management.** The use of the embedded controller means using the query (QR\_EC) command to notify OSPM of system events requiring action. If the embedded controller is shared with the operating system, the SMI handler uses the SMI\_EVT flag and an SMI query command (not defined in this document) to receive the event notifications. The embedded controller doesn't place event notifications into the output buffer of a shared interface unless it receives a query command from OSPM or the system management interrupt handler.

## 12.6 Interrupt Model

The EC Interrupt Model uses pulsed interrupts to speed the clearing process. The Interrupt is firmware generated using an EC general-purpose output and has the waveform shown in Figure 12-3. The embedded controller SCI is always wired directly to a GPE input, and OSPM driver treats this as an edge event (the EC SCI GPE cannot be shared).

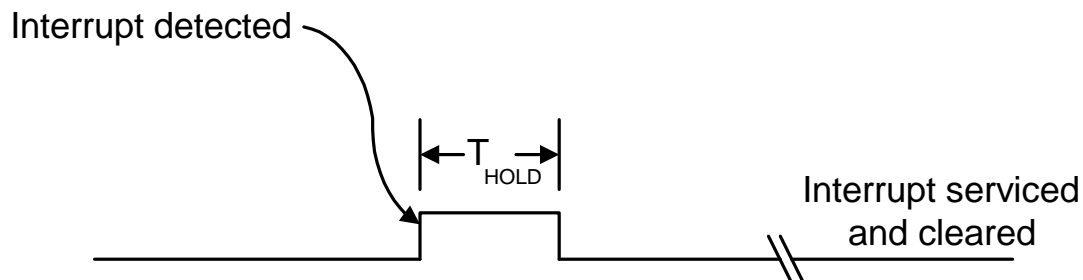


Figure 12-3 EC Interrupt Waveform

### 12.6.1 Event Interrupt Model

The embedded controller must generate SCIs for the events listed in the following table.

**Table 12-2 Events for Which Embedded Controller Must Generate SCIs**

Event	Description
IBF=0	Signals that the embedded controller has read the last command or data from the input buffer and the host is free to send more data.
OBF=1	Signals that the embedded controller has written a byte of data into the output buffer and the host is free to read the returned data.
SCI_EVT=1	Signals that the embedded controller has detected an event that requires OS attention. OSPM should issue a query (QR_EC) command to find the cause of the event.

### 12.6.2 Command Interrupt Model

The embedded controller must generate SCIs for commands as follows:

- **Read Command (3 Bytes)**

Byte #1	(Command byte Header)	Interrupt on IBF=0
Byte #2	(Address byte to read)	No Interrupt
Byte #3	(Data read to host)	Interrupt on OBF=1
- **Write Command (3 Bytes)**

Byte #1	(Command byte Header)	Interrupt on IBF=0
Byte #2	(Address byte to write)	Interrupt on IBF=0
Byte #3	(Data to read )	Interrupt on IBF=0
- **Query Command (2 Bytes)**

Byte #1	(Command byte Header)	No Interrupt
Byte #2	(Query value to host)	Interrupt on OBF=1
- **Burst Enable Command (2 Bytes)**

Byte #1	(Command byte Header)	No Interrupt
Byte #2	(Burst acknowledge byte)	Interrupt on OBF=1
- **Burst Disable Command (1 Byte)**

Byte #1	(Command byte Header)	Interrupt on IBF=0
---------	-----------------------	--------------------

## 12.7 Embedded Controller Interfacing Algorithms

To initiate communications with the embedded controller, OSPM or system management handler acquires ownership of the interface. This ownership is acquired through the use of the Global Lock (described in section 5.2.10.1, “Global Lock”), or is owned by default by OSPM as a non-shared resource (and the Global Lock is not required for accessibility).

After ownership is acquired, the protocol always consists of the passing of a command byte. The command byte will indicate the type of action to be taken. Following the command byte, zero or more data bytes can be exchanged in either direction. The data bytes are defined according to the command byte that is transferred.

The embedded controller also has two status bits that indicate whether the registers have been read. This is used to ensure that the host or embedded controller has received data from the embedded controller or host. When the host writes data to the command or data register of the embedded controller, the input buffer flag (IBF) in the status register is set within 1 microsecond. When the embedded controller reads this data from the input buffer, the input buffer flag is reset. When the embedded controller writes data into the output buffer, the output buffer flag (OBF) in the status register is set. When the host processor reads this data from the output buffer, the output buffer flag is reset.

## 12.8 Embedded Controller Description Information

Certain aspects of the embedded controller's operation have OEM-definable values associated with them. The following is a list of values that are defined in the software layers of the ACPI specification:

- Status flag indicating whether the interface requires the use of the Global Lock.
- Bit position of embedded controller interrupt in general-purpose status register.
- Decode address for command/status register.
- Decode address for data register.
- Base address and query value of any EC-SMBus controller.

For implementation details of the above listed information, see sections 12.11, “Defining an Embedded Controller Device in ACPI Namespace,” and 12.12, “Defining an EC SMBus Host Controller in ACPI Namespace.”

An embedded controller will require the inclusion of the GLK method in its ACPI namespace if potentially contentious accesses to device resources are performed by non-OS code. See section 6.5.7, “\_GLK (Global Lock)” for details about the \_GLK method.

## 12.9 SMBus Host Controller Interface via Embedded Controller

This section specifies a standard interface that an ACPI-compatible OS can use to communicate with embedded controller-based SMBus host controllers (EC-SMB-HC). This interface allows the host processor (under control of OSPM) to manage devices on the SMBus. Typical devices residing on the SMBus include Smart Batteries, Smart Battery Chargers, contrast/backlight control, and temperature sensors.

The EC-SMB-HC interface consists of a block of registers that reside in embedded controller space. These registers are used by software to initiate SMBus transactions and receive SMBus notifications. By using a well-defined register set, OS software can be written to operate with any vendor's embedded controller hardware.

Certain SMBus segments have special requirements that the host controller filters certain SMBus commands (for example, to prevent an errant application or virus from potentially damaging the battery subsystem). This is most easily accomplished by implementing the host interface controller through an embedded controller—as embedded controller can easily filter out potentially problematic commands.

Notice that an EC-SMB-HC interface will require the inclusion of the GLK method in its ACPI namespace if potentially contentious accesses to device resources are performed by non-OS code. See section 6.5.7, “\_GLK (Global Lock)” for details on using the \_GLK method.

### 12.9.1 Register Description

The EC-SMBus host interface is a flat array of registers that are arranged sequentially in the embedded controller address space.

### 12.9.1.1 Status Register, SMB\_STS

This register indicates general status on the SMBus. This includes SMB-HC command completion status, alarm received status, and error detection status (the error codes are defined later in this section). This register is cleared to zeroes (except for the ALRM bit) whenever a new command is issued using a write to the protocol (SMB\_PRTCL) register. This register is always written with the error code before clearing the protocol register. The SMB-HC query event (that is, an SMB-HC interrupt) is raised after the clearing of the protocol register.

**Note:** OSPM must ensure the ALRM bit is cleared after it has been serviced by writing '00' to the SMB\_STS register.

Bit7	Bit6	Bit5	Bit4	Bit3	Bit2	Bit1	Bit0
DONE	ALRM	RES	STATUS				

Where:

- DONE: Indicates the last command has completed and no error.
- ALRM: Indicates an SMBus alarm message has been received.
- RES: *Reserved*
- STATUS: Indicates SMBus communication status for one of the reasons listed in the following table.

**Table 12-3 SMBus Status Codes**

Status Code	Name	Description
00h	SMBus OK	Indicates the transaction has been successfully completed.
07h	SMBus Unknown Failure	Indicates failure because of an unknown SMBus error.
10h	SMBus Device Address Not Acknowledged	Indicates the transaction failed because the slave device address was not acknowledged.
11h	SMBus Device Error Detected	Indicates the transaction failed because the slave device signaled an error condition.
12h	SMBus Device Command Access Denied	Indicates the transaction failed because the SMBus host does not allow the specific command for the device being addressed. For example, the SMBus host might not allow a caller to adjust the Smart Battery Charger's output.
13h	SMBus Unknown Error	Indicates the transaction failed because the SMBus host encountered an unknown error.
17h	SMBus Device Access Denied	Indicates the transaction failed because the SMBus host does not allow access to the device addressed. For example, the SMBus host might not allow a caller to directly communicate with an SMBus device that controls the system's power planes.
18h	SMBus Timeout	Indicates the transaction failed because the SMBus host detected a timeout on the bus.
19h	SMBus Host Unsupported Protocol	Indicates the transaction failed because the SMBus host does not support the requested protocol.

Status Code	Name	Description
1Ah	SMBus Busy	Indicates that the transaction failed because the SMBus host reports that the SMBus is presently busy with some other transaction. For example, the Smart Battery might be sending charging information to the Smart Battery Charger.
1Fh	SMBus PEC (CRC-8) Error	Indicates that a Packet Error Checking (PEC) error occurred during the last transaction.

All other error codes are reserved.

### 12.9.1.2 Protocol Register, SMB\_PRTCL

This register determines the type of SMBus transaction generated on the SMBus. In addition to indicating the protocol type to the SMB-HC, a write to this register initiates the transaction on the SMBus. Notice that bit 7 of the protocol value is used to indicate whether packet error checking should be employed. A value of 1 (one) in this bit indicates that PEC format should be used for the specified protocol, and a value of 0 (zero) indicates the standard (non-PEC) format should be used.

Bit7	Bit6	Bit5	Bit4	Bit3	Bit2	Bit1	Bit0
PEC	PROTOCOL						

Where:

PROTOCOL:

- 0x00 – Controller Not In Use
- 0x01 – *Reserved*
- 0x02 – Write Quick Command
- 0x03 – Read Quick Command
- 0x04 – Send Byte
- 0x05 – Receive Byte
- 0x06 – Write Byte
- 0x07 – Read Byte
- 0x08 – Write Word
- 0x09 – Read Word
- 0x0A – Write Block
- 0x0B – Read Block
- 0x0C – Process Call
- 0x0D – Block Write-Block Read Process Call

For example, the protocol value of 0x09 would be used to communicate to a device that supported the standard *read word* protocol. If this device also supported packet error checking for this protocol, a value of 0x89 (*read word with PEC*) could optionally be used. See the SMBus specification for more information on packet error checking.

When OSPM initiates a new command such as write to the SMB\_PRTCL register, the SMBus controller first updates the SMB\_STS register and then clears the SMB\_PRTCL register. After the SMB\_PRTCL register is cleared, the host controller query value is raised.

All other protocol values are reserved.

### 12.9.1.3 Address Register, SMB\_ADDR

This register contains the 7-bit address to be generated on the SMBus. This is the first byte to be sent on the SMBus for all of the different protocols.

Bit7	Bit6	Bit5	Bit4	Bit3	Bit2	Bit1	Bit0
ADDRESS (A6:A0)							RES

Where:

RES: *Reserved*

ADDRESS: 7-bit SMBus address. This address is not zero aligned (in other words, it is only a 7-bit address (A6:A0) that is aligned from bit 1-7).

### 12.9.1.4 Command Register, SMB\_CMD

This register contains the command byte that will be sent to the target device on the SMBus and is used for the following protocols: send byte, write byte, write word, read byte, read word, process call, block read and block write. It is not used for the quick commands or the receive byte protocol, and as such, its value is a “don’t care” for those commands.

Bit7	Bit6	Bit5	Bit4	Bit3	Bit2	Bit1	Bit0
COMMAND							

Where:

COMMAND: Command byte to be sent to SMBus device.

### 12.9.1.5 Data Register Array, SMB\_DATA[i], i=0-31

This bank of registers contains the remaining bytes to be sent or received in any of the different protocols that can be run on the SMBus. The SMB\_DATA[i] registers are defined on a per-protocol basis and, as such, provide efficient use of register space.

Bit7	Bit6	Bit5	Bit4	Bit3	Bit2	Bit1	Bit0
DATA							

Where:

DATA: One byte of data to be sent or received (depending upon protocol).

### 12.9.1.6 Block Count Register, SMB\_BCNT

This register contains the number of bytes of data present in the SMB\_DATA[i] registers preceding any write block and following any read block transaction. The data size is defined on a per protocol basis.

Bit7	Bit6	Bit5	Bit4	Bit3	Bit2	Bit1	Bit0
RES				BCNT			

### 12.9.1.7 Alarm Address Register, SMB\_ALARM\_ADDR

This register contains the address of an alarm message received by the host controller, at slave address 0x8, from the SMBus master that initiated the alarm. The address indicates the slave address of the device on the SMBus that initiated the alarm message. The status of the alarm message is contained in the SMB\_ALARM\_DATAx registers. Once an alarm message has been received, the SMB-HC will not receive additional alarm messages until the ALRM status bit is cleared.

Bit7	Bit6	Bit5	Bit4	Bit3	Bit2	Bit1	Bit0
ADDRESS (A6:A0)							RES

Where:

RES: *Reserved*

ADDRESS: Slave address (A6:A0) of the SMBus device that initiated the SMBus alarm message.

### 12.9.1.8 Alarm Data Registers, SMB\_ALARM\_DATA[0], SMB\_ALARM\_DATA[1]

These registers contain the two data bytes of an alarm message received by the host controller, at slave address 0x8, from the SMBus master that initiated the alarm. These data bytes indicate the specific reason for the alarm message, such that OSPM can take actions. Once an alarm message has been received, the SMB-HC will not receive additional alarm messages until the ALRM status bit is cleared.

Bit7	Bit6	Bit5	Bit4	Bit3	Bit2	Bit1	Bit0
DATA (D7:D0)							

Where:

DATA: Data byte received in alarm message.

The alarm address and alarm data registers are not read by OSPM until the alarm status bit is set. OSPM driver then reads the 3 bytes, and clears the alarm status bit to indicate that the alarm registers are now available for the next event.

## 12.9.2 Protocol Description

This section describes how to initiate the different protocols on the SMBus through the interface described in section 13.9.1, "Register Descriptions." The registers should all be written with the appropriate values before writing the protocol value that starts the SMBus transaction. All transactions can be completed in one pass.

### 12.9.2.1 Write Quick

**Data Sent:**

SMB\_ADDR: Address of SMBus device.

SMB\_PRTCL: Write 0x02 to initiate the write quick protocol.

**Data Returned:**

SMB\_STS: Status code for transaction.

SMB\_PRTCL: 0x00 to indicate command completion.



### 12.9.2.2 Read Quick

**Data Sent:**

SMB\_ADDR: Address of SMBus device.  
 SMB\_PRTCL: Write 0x03 to initiate the read quick protocol.

**Data Returned:**

SMB\_STS: Status code for transaction.  
 SMB\_PRTCL: 0x00 to indicate command completion.

### 12.9.2.3 Send Byte

**Data Sent:**

SMB\_ADDR: Address of SMBus device.  
 SMB\_CMD: Command byte to be sent.  
 SMB\_PRTCL: Write 0x04 to initiate the send byte protocol, or 0x84 to initiate the send byte protocol with PEC.

**Data Returned:**

SMB\_STS: Status code for transaction.  
 SMB\_PRTCL: 0x00 to indicate command completion.

### 12.9.2.4 Receive Byte

**Data Sent:**

SMB\_ADDR: Address of SMBus device.  
 SMB\_PRTCL: Write 0x05 to initiate the receive byte protocol, or 0x85 to initiate the receive byte protocol with PEC.

**Data Returned:**

SMB\_DATA[0]: Data byte received.  
 SMB\_STS: Status code for transaction.  
 SMB\_PRTCL: 0x00 to indicate command completion.

### 12.9.2.5 Write Byte

**Data Sent:**

SMB\_ADDR: Address of SMBus device.  
 SMB\_CMD: Command byte to be sent.  
 SMB\_DATA[0]: Data byte to be sent.  
 SMB\_PRTCL: Write 0x06 to initiate the write byte protocol, or 0x86 to initiate the write byte protocol with PEC.

**Data Returned:**

SMB\_STS: Status code for transaction.  
 SMB\_PRTCL: 0x00 to indicate command completion.

### 12.9.2.6 Read Byte

**Data Sent:**

SMB\_ADDR: Address of SMBus device.  
SMB\_CMD: Command byte to be sent.  
SMB\_PRTCL: Write 0x07 to initiate the read byte protocol, or 0x87 to initiate the read byte protocol with PEC.

**Data Returned:**

SMB\_DATA[0]: Data byte received.  
SMB\_STS: Status code for transaction.  
SMB\_PRTCL: 0x00 to indicate command completion.

### 12.9.2.7 Write Word

**Data Sent:**

SMB\_ADDR: Address of SMBus device.  
SMB\_CMD: Command byte to be sent.  
SMB\_DATA[0]: Low data byte to be sent.  
SMB\_DATA[1]: High data byte to be sent.  
SMB\_PRTCL: Write 0x08 to initiate the write word protocol, or 0x88 to initiate the write word protocol with PEC.

**Data Returned:**

SMB\_STS: Status code for transaction.  
SMB\_PRTCL: 0x00 to indicate command completion.

### 12.9.2.8 Read Word

**Data Sent:**

SMB\_ADDR: Address of SMBus device.  
SMB\_CMD: Command byte to be sent.  
SMB\_PRTCL: Write 0x09 to initiate the read word protocol, or 0x89 to initiate the read word protocol with PEC.

**Data Returned:**

SMB\_DATA[0]: Low data byte received.  
SMB\_DATA[1]: High data byte received.  
SMB\_STS: Status code for transaction.  
SMB\_PRTCL: 0x00 to indicate command completion.

### 12.9.2.9 Write Block

**Data Sent:**

SMB_ADDR:	Address of SMBus device.
SMB_CMD:	Command byte to be sent.
SMB_DATA[0-31]:	Data bytes to write (1-32).
SMB_BCNT:	Number of data bytes (1-32) to be sent.
SMB_PRTCL:	Write 0x0A to initiate the write block protocol, or 0x8A to initiate the write block protocol with PEC.

**Data Returned:**

SMB_PRTCL:	0x00 to indicate command completion.
SMB_STS:	Status code for transaction.

### 12.9.2.10 Read Block

**Data Sent:**

SMB_ADDR:	Address of SMBus device.
SMB_CMD:	Command byte to be sent.
SMB_PRTCL:	Write 0x0B to initiate the read block protocol, or 0x8B to initiate the read block protocol with PEC.

**Data Returned:**

SMB_BCNT:	Number of data bytes (1-32) received.
SMB_DATA[0-31]:	Data bytes received (1-32).
SMB_STS:	Status code for transaction.
SMB_PRTCL:	0x00 to indicate command completion.

### 12.9.2.11 Process Call

**Data Sent:**

SMB_ADDR:	Address of SMBus device.
SMB_CMD:	Command byte to be sent.
SMB_DATA[0]:	Low data byte to be sent.
SMB_DATA[1]:	High data byte to be sent.
SMB_PRTCL:	Write 0x0C to initiate the process call protocol, or 0x8C to initiate the process call protocol with PEC.

**Data Returned:**

SMB_DATA[0]:	Low data byte received.
SMB_DATA[1]:	High data byte received.
SMB_STS:	Status code for transaction.
SMB_PRTCL:	0x00 to indicate command completion.

### 12.9.2.12 Block Write-Block Read Process Call

**Data Sent:**

SMB_ADDR:	Address of SMBus device.
SMB_CMD:	Command byte to be sent.
SMB_DATA[0-31]:	Data bytes to write (1-31).
SMB_BCNT:	Number of data bytes (1-31) to be sent.
SMB_PRTCL:	Write 0x0D to initiate the write block-read block process call protocol, or 0x8D to initiate the write block-read block process call protocol with PEC.

**Data Returned:**

SMB_BCNT:	Number of data bytes (1-31) received.
SMB_DATA[0-31]:	Data bytes received (1-31).
SMB_STS:	Status code for transaction.
SMB_PRTCL:	0x00 to indicate command completion.

**Note:** The following restrictions apply: The aggregate data length of the write and read blocks must not exceed 32 bytes and each block (write and read) must contain at least 1 byte of data.

### 12.9.3 SMBus Register Set

The register set for the SMB-HC has the following format. All registers are 8 bit.

**Table 12-4 SMB EC Interface**

Location	Register Name	Description
BASE+0	SMB_PRTCL	Protocol register
BASE+1	SMB_STS	Status register
BASE+2	SMB_ADDR	Address register
BASE+3	SMB_CMD	Command register
BASE+4	SMB_DATA[0]	Data register zero
BASE+5	SMB_DATA[1]	Data register one
BASE+6	SMB_DATA[2]	Data register two
BASE+7	SMB_DATA[3]	Data register three
BASE+8	SMB_DATA[4]	Data register four
BASE+9	SMB_DATA[5]	Data register five
BASE+10	SMB_DATA[6]	Data register six
BASE+11	SMB_DATA[7]	Data register seven
BASE+12	SMB_DATA[8]	Data register eight
BASE+13	SMB_DATA[9]	Data register nine
BASE+14	SMB_DATA[10]	Data register ten
BASE+15	SMB_DATA[11]	Data register eleven
BASE+16	SMB_DATA[12]	Data register twelve

Location	Register Name	Description
BASE+17	SMB_DATA[13]	Data register thirteen
BASE+18	SMB_DATA[14]	Data register fourteen
BASE+19	SMB_DATA[15]	Data register fifteen
BASE+20	SMB_DATA[16]	Data register sixteen
BASE+21	SMB_DATA[17]	Data register seventeen
BASE+22	SMB_DATA[18]	Data register eighteen
BASE+23	SMB_DATA[19]	Data register nineteen
BASE+24	SMB_DATA[20]	Data register twenty
BASE+25	SMB_DATA[21]	Data register twenty-one
BASE+26	SMB_DATA[22]	Data register twenty-two
BASE+27	SMB_DATA[23]	Data register twenty-three
BASE+28	SMB_DATA[24]	Data register twenty-four
BASE+29	SMB_DATA[25]	Data register twenty-five
BASE+30	SMB_DATA[26]	Data register twenty-six
BASE+31	SMB_DATA[27]	Data register twenty-seven
BASE+32	SMB_DATA[28]	Data register twenty-eight
BASE+33	SMB_DATA[29]	Data register twenty-nine
BASE+34	SMB_DATA[30]	Data register thirty
BASE+35	SMB_DATA[31]	Data register thirty-one
BASE+36	SMB_BCNT	Block Count Register
BASE+37	SMB_ALRM_ADDR	Alarm address
BASE+38	SMB_ALRM_DATA[0]	Alarm data register zero
BASE+39	SMB_ALRM_DATA[1]	Alarm data register one

## 12.10 SMBus Devices

The embedded controller interface provides the system with a standard method to access devices on the SMBus. It does not define the data and/or access protocol(s) used by any particular SMBus device. Further, the embedded controller can (and probably will) serve as a gatekeeper to prevent accidental or malicious access to devices on the SMBus.

Some SMBus devices are defined by their address and a specification that describes the data and the protocol used to access that data. For example, the Smart Battery System devices are defined by a series of specifications including:

- Smart Battery Data specification
- Smart Battery Charger specification
- Smart Battery Selector specification
- Smart Battery System Manager specification

The embedded controller can also be used to emulate (in part or totally) any SMBus device.

### 12.10.1 SMBus Device Access Restrictions

In some cases, the embedded controller interface will not allow access to a particular SMBus device. Some SMBus devices can and do communicate directly between themselves. Unexpected accesses can interfere with their normal operation and cause unpredictable results.

### 12.10.2 SMBus Device Command Access Restriction

There are cases where part of an SMBus device's commands are public while others are private. Extraneous attempts to access these commands might cause interference with the SMBus device's normal operation.

The Smart Battery and the Smart Battery Charger are good examples of devices that should not have their entire command set exposed. The Smart Battery commands the Smart Battery Charger to supply a specific charging voltage and charging current. Attempts by anyone to alter these values can cause damage to the battery or the mobile system. To protect the system's integrity, the embedded controller interface can restrict access to these commands by returning one of the following error codes: Device Command Access Denied (0x12) or Device Access Denied (0x17).

## 12.11 Defining an Embedded Controller Device in ACPI Namespace

An embedded controller device is created using the named device object. The embedded controller's device object requires the following elements:

**Table 12-5 Embedded Controller Device Object Control Methods**

Object	Description
_CRS	Named object that returns the Embedded Controller's current resource settings. Embedded Controllers are considered static resources; hence only return their defined resources. The embedded controller resides only in system I/O or memory space. The first address region returned is the data port, and the second address region returned is the status/command port for the embedded controller. CRS is a standard device configuration control method defined in section 6.2.1, “_CRS (Current Resource Settings).”
_HID	Named object that provides the Embedded Controller's Plug and Play identifier. This value is set to PNP0C09. _HID is a standard device configuration control method defined in section 6.1.4, “_HID (Hardware ID).”

Object	Description
_GPE	<p>Named Object that evaluates to either an integer or a package. If _GPE evaluates to an integer, the value is the bit assignment of the SCI interrupt within the GPEX_STS register of a GPE block described in the FADT that the embedded controller will trigger.</p> <p>If _GPE evaluates to a package, then that package contains two elements. The first is an object reference to the GPE Block device that contains the GPE register that will be triggered by the embedded controller. The second element is numeric (integer) that specifies the bit assignment of the SCI interrupt within the GPEX_STS register of the GPE Block device referenced by the first element in the package. This control method is specific to the embedded controller.</p>

### 12.11.1 Example: EC Definition ASL Code

Example ASL code that defines an embedded controller device is shown below:

```

Device(EC0) {
    // PnP ID
    Name(_HID, EISAID("PNP0C09"))
    // Returns the "Current Resources" of EC
    Name(_CRS,
        ResourceTemplate(){
            IO(Decode16, 0x62, 0x62, 0, 1), // port 0x62 and 0x66
            IO(Decode16, 0x66, 0x66, 0, 1)
        }
    )

    // Define that the EC SCI is bit 0 of the GP_STS register
    Name(_GPE, 0)

    OperationRegion(ECOR, EmbeddedControl, 0, 0xFF)
    Field(ECOR, ByteAcc, Lock, Preserve) {
        // Field definitions go here
    }
}

```

### 12.12 Defining an EC SMBus Host Controller in ACPI Namespace

An EC-SMB-HC device is defined using the named device object. The EC-SMB- HC's device object requires the following elements:

**Table 12-6 EC SMBus HC Device Objects**

Object	Description
_HID	Named object that provides the EC-SMB- HC's Plug and Play identifier. This value is be set to ACPI0001. _HID is a standard device configuration control method defined in section 6.1.4, "_HID (Hardware ID)."
_EC	Named object that evaluates to a WORD that defines the SMBus attributes needed by the SMBus driver. _EC is the Embedded Controller Offset Query Control Method. The most significant byte is the address offset in embedded controller space of the SMBus controller; the least significant byte is the query value for all SMBus events.

### 12.12.1 Example: EC SMBus Host Controller ASL-Code

Example ASL code that defines an SMB-HC from within an embedded controller device is shown below:

```
Device(EC0)
{
    Name(_HID, EISAID("PNPOC09"))
    Name(_CRS, ResourceTemplate()
    {
        IO(Decode16, 0x62, 0x62, 0, 1), // Status port
        IO(Decode16, 0x66, 0x66, 0, 1) // command port
    })
    Name(_GPE, 0)

    Device (SMB0)
    {
        Name(_HID, "ACPI0001") // EC-SMB-HC
        Name(_UID, 0) // Unique device identifier
        Name(_EC, 0x2030) // EC offset 0x20, query bit 0x30
        :
    }

    Device (SMB1)
    {
        Name(_HID, "ACPI0001") // EC-SMB-HC
        Name(_UID, 1) // Unique device identifier
        Name(_EC, 0x8031) // EC offset 0x80, query bit 0x31
        :
    }
} // end of EC0
```



## 13 ACPI System Management Bus Interface Specification

This section describes the System Management Bus (SMBus) generic address space and the use of this address space to access SMBus devices from AML.

Unlike other address spaces, SMBus operation regions are inherently *non-linear*, where each offset within an SMBus address space represents a variable-sized (from 0 to 32 bytes) field. Given this uniqueness, SMBus operation regions include restrictions on their field definitions and require the use of an SMBus-specific data buffer for all transactions.

The SMBus interface presented in this section is intended for use with any hardware implementation compatible with the SMBus specification. SMBus hardware is broadly classified as either non-EC-based or EC-based. EC-based SMBus implementations comply with the standard register set defined in section 13, ACPI Embedded Controller Interface Specification.”

Non-EC SMBus implementations can employ any hardware interface and are typically used for their cost savings when SMBus security is not required. Non-EC-based SMBus implementations require the development of hardware specific drivers for each OS implementation. See section 13.2, “Declaring SMBus Host Controller Objects,” for more information.

Support of the SMBus generic address space by ACPI-compatible operating systems is optional. As such, the Smart Battery System Implementer’s Forum (SBS-IF) has defined an SMBus interface based on a standard set of control methods. This interface is documented in the *SMBus Control Method Interface Specification*, available from the SBS-IF Web site at: <http://www.sbs-forum.org/>.

### 13.1 SMBus Overview

SMBus is a two-wire interface based upon the I<sup>2</sup>C protocol. The SMBus is a low-speed bus that provides positive addressing for devices, as well as bus arbitration. For more information, refer to the complete set of SMBus specifications published by the SBS-IF.

#### 13.1.1 SMBus Slave Addresses

Slave addresses are specified using a 7-bit non-shifted notation. For example, the slave address of the Smart Battery Selector device would be specified as 0x0A (1010b), not 0x14 (10100b) as might be found in other documents. These two different forms of addresses result from the format in which addresses are transmitted on the SMBus.

During transmission over the physical SMBus, the slave address is formatted in an 8-bit block with bits 7-1 containing the address and bit 0 containing the read/write bit. ASL code, on the other hand, presents the slave address simply as a 7-bit value making it the responsibility of the OS (driver) to shift the value if needed. For example, the ASL value would have to be shifted left 1 bit before being written to the SMB\_ADDR register in the EC based SMBus as described in section 12.9.1.3, “Address Register, SMB\_ADDR.”

#### 13.1.2 SMBus Protocols

There are seven possible *command protocols* for any given SMBus slave device, and a device may use any or all of the protocols to communicate. The protocols and associated access type indicators are listed below. Notice that the protocols values are similar to those defined for the EC-based SMBus in section 12.9.1.2, “Protocol Register, SMB\_PRTCL,” except that protocol pairs (for example, Read Byte, Write Byte) have been joined.

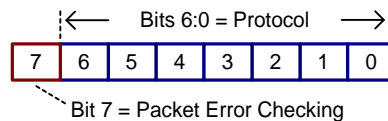
**Table 13-1 SMBus Protocol Types**

Value	Type	Description
0x02	SMBQuick	SMBus Read/Write Quick Protocol
0x04	SMBSendReceive	SMBus Send/Receive Byte Protocol
0x06	SMBByte	SMBus Read/Write Byte Protocol
0x08	SMBWord	SMBus Read/Write Word Protocol
0x0A	SMBBlock	SMBus Read/Write Block Protocol
0x0C	SMBProcessCall	SMBus Process Call Protocol
0x0D	SMBBlockProcessCall	SMBus Write Block-Read Block Process Call Protocol

All other protocol values are reserved.

Notice that bit 7 of the protocol value is used by this interface to indicate to the SMB-HC whether or not packet error checking (PEC) should be employed for a transaction. Packet error checking is described in section 7.4 of the *System Management Bus Specification, Version 1.1*. This highly desirable capability improves the reliability and robustness of SMBus communications.

The bit encoding of the protocol value is shown below. For example, the value 0x86 would be used to specify the PEC version of the SMBus Read/Write Byte protocol.

**Figure 13-1 Bit Encoding Example**

Notice that bit 0 of the protocol value is always zero (even number hexadecimal values). In a manner similar to the slave address, software that implements the SMBus interface is responsible for setting this bit to indicate whether the transaction is a read (for example, Read Byte) or write (for example, Write Byte) operation.

For example, software implanting this interface for EC-SMBus segments would set bit 0 for read transactions. For the SMBByte protocol (0x06), this would result in the value 0x07 being placed into the SMB\_PRTCL register (or 0x87 if PEC is requested) for write transactions.

### 13.1.3 SMBus Status Codes

The use of status codes helps AML determine whether an SMBus transaction was successful. In general, a status code of zero indicates success, while a non-zero value indicates failure. The SMBus interface uses the same status codes defined for the EC-SMBus (see section 12.9.1.1, “Status Register, SMB\_STS”).

### 13.1.4 SMBus Command Values

SMBus devices may optionally support up to 256 device-specific commands. For these devices, each *command value* supported by the device is modeled by this interface as a separate *virtual register*. Protocols that do not transmit a command value (for example, Read/Write Quick and Send/Receive Byte) are modeled using a single virtual register (with a command value = 0x00).

## 13.2 Accessing the SMBus from ASL Code

The following sections demonstrate how to access and use the SMBus from ASL code.

### 13.2.1 Declaring SMBus Host Controller Objects

EC-based SMBus 1.0-compatible HCs should be modeled in the ACPI namespace as described in section 13.12, “Defining an Embedded Controller SMBus Host Controller in ACPI Namespace.” An example definition is given below. Using the HID value “ACPI0001” identifies that this SMB-HC is implemented on an embedded controller using the standard SMBus register set defined in section 12.9, SMBus Host Controller Interface via Embedded Controller.”

```
Device (SMB0)
{
    Name(_HID, "ACPI0001")           // EC-based SMBus 1.0 compatible Host Controller
    Name(_EC, 0x2030)               // EC offset 0x20, query bit 0x30
    :
}
```

EC-based SMBus 2.0-compatible host controllers should be defined similarly in the namespace as follows:

```
Device (SMB0)
{
    Name(_HID, "ACPI0005")           // EC-based SMBus 2.0 compatible Host Controller
    Name(_EC, 0x2030)               // EC offset 0x20, query bit 0x30
    :
}
```

Non-EC-based SMB-HCs should be modeled in a manner similar to the EC-based SMBus HC. An example definition is given below. These devices use a vendor-specific hardware identifier (HID) to specify the type of SMB-HC (do not use “ACPI0001” or “ACPI0005”). Using a vendor-specific HID allows the correct software to be loaded to service this segment’s SMBus address space.

```
Device(SMB0)
{
    Name(_HID, "<Vendor-Specific HID>") // Vendor-Specific HID
    :
}
```

Regardless of the type of hardware, some OS software element (for example, the SMBus HC driver) must register with OSPM to support all SMBus operation regions defined for the segment. This software allows the generic SMBus interface defined in this section to be used on a specific hardware implementation by translating between the conceptual (for example, SMBus address space) and physical (for example, process of writing/reading registers) models. Because of this linkage, SMBus operation regions must be defined immediately within the scope of the corresponding SMBus device.

### 13.2.2 Declaring SMBus Devices

The SMBus, as defined by the SMBus 1.0 Specification, is not an enumerable bus. As a result, an SMBus 1.0-compatible SMB-HC driver cannot discover child devices on the SMBus and load the appropriate corresponding device drivers. As such, SMBus 1.0-compatible devices are declared in the ACPI namespace, in like manner to other motherboard devices, and enumerated by OSPM.

The SMBus 2.0 specification adds mechanisms enabling device enumeration on the bus while providing compatibility with existing devices. ACPI defines and associates the “ACPI0005” HID value with an EC-based SMBus 2.0-compatible host controller. OSPM will enumerate SMBus 1.0-compatible devices when declared in the namespace under an SMBus 2.0-compatible host controller.

The responsibility for the definition of ACPI namespace objects, required by an SMBus 2.0-compatible host controller driver to enumerate non-bus-enumerable devices, is relegated to the Smart Battery System Implementers Forum (<http://www.sbs-forum.org>).

Starting in ACPI 2.0, \_ADR is used to associate SMBus devices with their lowest SMBus slave address.

### 13.2.3 Declaring SMBus Operation Regions

Each SMBus operation region definition identifies a single SMBus slave address. Operation regions are defined only for those SMBus devices that need to be accessed from AML. As with other regions, SMBus operation regions are only accessible via the **Field** term (see section 13.5, “Declaring SMBus Fields”).

This interface models each SMBus device as having a 256-byte linear address range. Each byte offset within this range corresponds to a single command value (for example, byte offset 0x12 equates to command value 0x12), with a maximum of 256 command values. By doing this, SMBus address spaces appear linear and can be processed in a manner similar to the other address space types.

The syntax for the **OperationRegion** term (from section 18.5.89, “OperationRegion (Declare Operation Region)”) is described below.

```

OperationRegion (
    RegionName, // NameString
    RegionSpace, // RegionSpaceKeyword
    Offset, // TermArg=>Integer
    Length // TermArg=>Integer
)

```

Where:

- *RegionName* specifies a name for this slave device (for example, “SBD0”).
- *RegionSpace* must be set to **SMBus** (operation region type value 0x04).
- *Offset* is a word-sized value specifying the slave address and initial command value offset for the target device. The slave address is stored in the high byte and the command value offset is stored in the low byte. For example, the value 0x4200 would be used for an SMBus device residing at slave address 0x42 with an initial command value offset of zero (0).
- *Length* is set to the 0x100 (256), representing the maximum number of possible command values, for regions with an initial command value offset of zero (0). The difference of these two values is used for regions with non-zero offsets. For example, a region with an *Offset* value of 0x4210 would have a corresponding *Length* of 0xF0 (0x100 minus 0x10).

For example, the Smart Battery Subsystem (illustrated below) consists of the Smart Battery Charger at slave address 0x09, the Smart Battery System Manager at slave address 0x0A, and one or more batteries (multiplexed) at slave address 0x0B. (Notice that Figure 13-2 represents the logical connection of a Smart Battery Subsystem. The actual physical connections of the Smart Battery(s) and the Smart Battery Charger are made through the Smart Battery System Manager.) All devices support the Read/Write Word protocol. Batteries also support the Read/Write Block protocol.

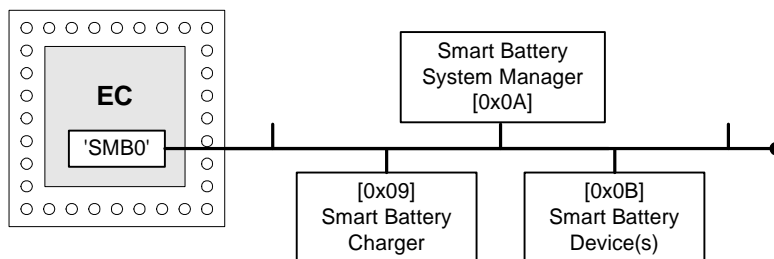


Figure 13-2 Smart Battery Subsystem Devices

The following ASL code shows the use of the `OperationRegion` term to describe these SMBus devices:

```
Device (SMB0)
{
    Name(_HID, "ACPI0001")           // EC-SMBus Host Controller
    Name(_EC, 0x2030)                // EC offset 0x20, query bit 0x30

    OperationRegion(SBC0, SMBus, 0x0900, 0x100) // Smart Battery Charger
    OperationRegion(SBS0, SMBus, 0x0A00, 0x100) // Smart Battery Selector
    OperationRegion(SBD0, SMBus, 0x0B00, 0x100) // Smart Battery Device(s)
    :
}
```

Notice that these operation regions in this example are defined within the immediate context of the ‘owning’ EC-SMBus device. Each definition corresponds to a separate slave address (device), and happens to use an initial command value offset of zero (0).

### 13.2.4 Declaring SMBus Fields

As with other regions, SMBus operation regions are only accessible via the `Field` term. Each field element is assigned a unique command value and represents a virtual register on the targeted SMBus device.

The syntax for the **Field** term (from section 18.5.38, “Event (Declare Event Synchronization Object)”) is described below.

```
Field(
    RegionName,      // NameString=>OperationRegion
    AccessType,      // AccessTypeKeyword
    LockRule,        // LockRuleKeyword
    UpdateRule       // UpdateRuleKeyword - ignored
) {FieldUnitList}
```

Where:

- *RegionName* specifies the operation region name previously defined for the device.
- *AccessType* must be set to **BufferAcc**. This indicates that access to field elements will be done using a region-specific data buffer. For this access type, the field handler is not aware of the data buffer’s contents which may be of any size. When a field of this type is used as the source argument in an operation it simply evaluates to a buffer. When used as the destination, however, the buffer is passed bi-directionally to allow data to be returned from write operations. The modified buffer then becomes the execution result of that operation. This is slightly different than the normal case in which the execution result is the same as the value written to the destination. Note that the source is never changed, since it could be a read only object (see section 13.6, “Declaring an SMBus Data Buffer” and section 18.1.5, “Opcode Terms”).
- *LockRule* indicates if access to this operation region requires acquisition of the Global Lock for synchronization. This field should be set to **Lock** on system with firmware that may access the SMBus, and **NoLock** otherwise.
- *UpdateRule* is not applicable to SMBus operation regions since each virtual register is accessed in its entirety. This field is ignored for all SMBus field definitions.

SMBus operation regions require that all field elements be declared at command value granularity. This means that each virtual register cannot be broken down to its individual bits within the field definition.

Access to sub-portions of virtual registers can be done only outside of the field definition. This limitation is imposed both to simplify the SMBus interface and to maintain consistency with the physical model defined by the SMBus specification.

SMBus protocols are assigned to field elements using the `AccessAs` term within the field definition. The syntax for this term (from section 18.1.3, “ASL Root and SecondaryTerms”) is described below.

```

AccessAs(
    AccessType, //AccessTypeKeyword
    AccessAttribute //Nothing | ByteConst | AccessAttribKeyword
)

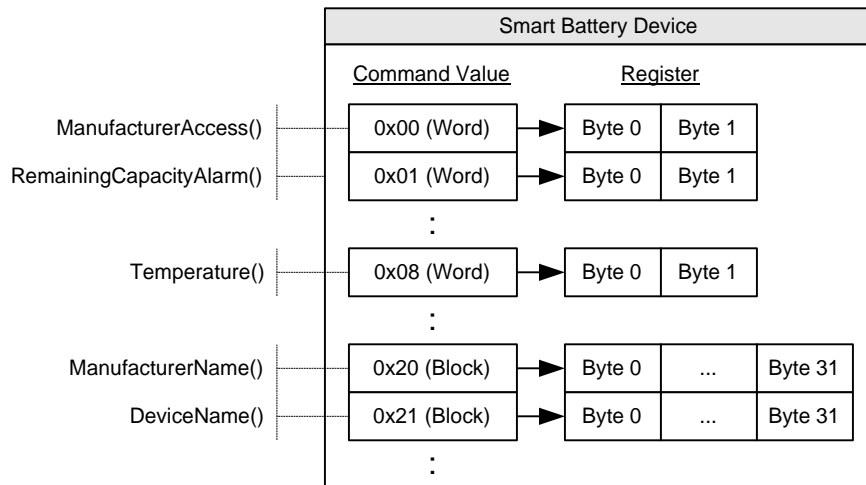
```

Where:

- *AccessType* must be set to **BufferAcc**.
- *AccessAttribute* indicates the SMBus protocol to assign to command values that follow this term. See section 13.1.2, “SMBus Protocols,” for a listing of the SMBus protocol types and values.

An *AccessAs* term must appear as the first entry in a field definition to set the initial SMBus protocol for the field elements that follow. A maximum of one SMBus protocol may be defined for each field element. Devices supporting multiple protocols for a single command value can be modeled by specifying multiple field elements with the same offset (command value), where each field element is preceded by an *AccessAs* term specifying an alternate protocol.

For example, the register at command value 0x08 for a Smart Battery device (illustrated below) represents a word value specifying the battery temperature (in degrees Kelvin), while the register at command value 0x20 represents a variable-length (0 to 32 bytes) character string specifying the name of the company that manufactured the battery.



**Figure 13-3 Smart Battery Device Virtual Registers**

The following ASL code shows the use of the *OperationRegion*, *Field*, *AccessAs*, and *Offset* terms to represent these Smart Battery device virtual registers:

```

OperationRegion(SBD0, SMBus, 0x0B00, 0x0100)
Field(SBD0, BufferAcc, NoLock, Preserve)
{
    AccessAs(BufferAcc, SMBWord) // Use the SMBWord protocol for the following..
    MFGA, 8, // ManufacturerAccess() [command value 0x00]
    RCAP, 8, // RemainingCapacityAlarm() [command value 0x01]
    Offset(0x08) // Skip to command value 0x08...
    BTMP, 8, // Temperature() [command value 0x08]
    Offset(0x20) // Skip to command value 0x20...
    AccessAs(BufferAcc, SMBBlock) // Use the SMBBlock protocol for the following..
    MFGN, 8, // ManufacturerName() [command value 0x20]
    DEVN, 8 // DeviceName() [command value 0x21]
}

```

Notice that command values are equivalent to the field element’s byte offset (for example, MFGA=0, RCAP=1, BTMP=8). The *AccessAs* term indicates which SMBus protocol to use for each command value.

### 13.2.5 Declaring and Using an SMBus Data Buffer

The use of a data buffer for SMBus transactions allows AML to receive status and data length values, as well as making it possible to implement the Process Call protocol. As previously mentioned, the **BufferAcc** access type is used to indicate to the field handler that a region-specific data buffer will be used.

For SMBus operation regions, this data buffer is defined as a fixed-length 34-byte buffer that, if represented using a ‘C’-styled declaration, would be modeled as follows:

```
typedef struct
{
    BYTE      Status;      // Byte 0 of the data buffer
    BYTE      Length;     // Byte 1 of the data buffer
    BYTE[32]  Data;       // Bytes 2 through 33 of the data buffer
}
```

Where:

- *Status* (byte 0) indicates the status code of a given SMBus transaction. See section 14.1.3, “SMBus Status Code,” for more information.
- *Length* (byte 1) specifies the number of bytes of valid data that exists in the data buffer. Use of this field is only defined for the Read/Write Block protocol, where valid *Length* values are 0 through 32. For other protocols—where the data length is implied by the protocol—this field is reserved.
- *Data* (bytes 2-33) represents a 32-byte buffer, and is the location where actual data is stored.

For example, the following ASL shows the use of the SMBus data buffer for performing transactions to a Smart Battery device. This code is based on the example ASL presented in section 13.5, “Declaring SMBus Fields,” which lists the operation region and field definitions for the Smart Battery device.

```
/* Create the SMBus data buffer */
Name(BUFF, Buffer(34){}) // Create SMBus data buffer as BUFF
CreateByteField(BUFF, 0x00, OB1) // OB1 = Status (Byte)
CreateByteField(BUFF, 0x01, OB2) // OB2 = Length (Byte)
CreateWordField(BUFF, 0x02, OB3) // OB3 = Data (Word - Bytes 2 & 3)
CreateField(BUFF, 0x10, 256, OB4) // OB4 = Data (Block - Bytes 2-33)

/* Read the battery temperature */
Store(BTMP, BUFF) // Invoke Read Word transaction
If(LEqual(OB1, 0x00)) // Successful?
{
    // OB3 = Battery temperature in 1/10th degrees Kelvin
}

/* Read the battery manufacturer name */
Store(MFGN, BUFF) // Invoke Read Block transaction
If(LEqual(OB1, 0x00)) // Successful?
{
    // OB2 = Length of the manufacturer name
    // OB4 = Manufacturer name (as a counted string)
}
```

Notice the use of the **CreateField** primitives to access the data buffer’s sub-elements (*Status*, *Length*, and *Data*), where *Data* (bytes 2-33) is ‘typecast’ as both word (OB3) and block (OB4) data.

The example above demonstrates the use of the Store() operator to invoke a Read Block transaction to obtain the name of the battery manufacturer. Evaluation of the *source* operand (MFGN) results in a 34-byte buffer that gets copied by Store() to the *destination* buffer (BUFF).

Capturing the results of a write operation, for example to check the status code, requires an additional Store() operator, as shown below.

```
Store(Store(BUFF, MFGN), BUFF) // Invoke Write Block transaction
If(LEqual(OB1, 0x00)) {...} // Transaction successful?
```

Note that the outer Store() copies the results of the Write Block transaction back into BUFF. This is the nature of BufferAcc's bi-directionality described in section 13.5, "Declaring SMBus Fields" It should be noted that storing (or parsing) the result of an SMBus Write transaction is not required although useful for ascertaining the outcome of a transaction.

SMBus Process Call protocols require similar semantics due to the fact that only destination operands are passed bi-directionally. These transactions require the use of the double-Store() semantics to properly capture the return results.

### 13.3 Using the SMBus Protocols

This section provides information and examples on how each of the SMBus protocols can be used to access SMBus devices from AML.

#### 13.3.1 Read/Write Quick (SMBQuick)

The SMBus Read/Write Quick protocol (SMBQuick) is typically used to control simple devices using a device-specific binary command (for example, ON and OFF). Command values are not used by this protocol and thus only a single element (at offset 0) can be specified in the field definition. This protocol transfers no data.

The following ASL code illustrates how a device supporting the Read/Write Quick protocol should be accessed:

```

OperationRegion(SMBD, SMBus, 0x4200, 0x100) // SMBus device at slave address 0x42
Field(SMBD, BufferAcc, NoLock, Preserve)
{
    AccessAs(BufferAcc, SMBQuick) // Use the SMBus Read/Write Quick protocol
    FLD0, 8 // Virtual register at command value 0.
}

/* Create the SMBus data buffer */

Name(BUFF, Buffer(34){}) // Create SMBus data buffer as BUFF
CreateByteField(BUFF, 0x00, OB1) // OB1 = Status (Byte)

/* Signal device (e.g. OFF) */
Store(FLD0, BUFF) // Invoke Read Quick transaction
If(LEqual(OB1, 0x00)) {...} // Successful?

/* Signal device (e.g. ON) */
Store(BUFF, FLD0) // Invoke Write Quick transaction

```

In this example, a single field element (FLD0) at offset 0 is defined to represent the protocol's read/write bit. Access to FLD0 will cause an SMBus transaction to occur to the device. Reading the field results in a Read Quick, and writing to the field results in a Write Quick. In either case data is not transferred—access to the register is simply used as a mechanism to invoke the transaction.

#### 13.3.2 Send/Receive Byte (SMBSendReceive)

The SMBus Send/Receive Byte protocol (SMBSendReceive) transfers a single byte of data. Like Read/Write Quick, command values are not used by this protocol and thus only a single element (at offset 0) can be specified in the field definition.

The following ASL code illustrates how a device supporting the Send/Receive Byte protocol should be accessed:

```

OperationRegion(SMBD, SMBus, 0x4200, 0x100) // SMBus device at slave address 0x42
Field(SMBD, BufferAcc, NoLock, Preserve)
{
    AccessAs(BufferAcc, SMBSendReceive) // Use the SMBus Send/Receive Byte protocol
    FLD0, 8 // Virtual register at command value 0.
}

```



```

// Create the SMBus data buffer

Name(BUFF, Buffer(34){}) // Create SMBus data buffer as BUFF
CreateByteField(BUFF, 0x00, STAT) // STAT = Status (Byte)
CreateByteField(BUFF, 0x02, DATA) // DATA = Data (Byte)

// Receive a byte of data from the device
Store(FLD0, BUFF) // Invoke a Receive Byte transaction
If(LEqual(STAT, 0x00)) // Successful?
{
    // DATA = Received byte...
}

// Send the byte '0x16' to the device
Store(0x16, DATA) // Save 0x16 into the data buffer
Store(BUFF, FLD0) // Invoke a Send Byte transaction

```

In this example, a single field element (FLD0) at offset 0 is defined to represent the protocol's data byte. Access to FLD0 will cause an SMBus transaction to occur to the device. Reading the field results in a Receive Byte, and writing to the field results in a Send Byte.

### 13.3.3 Read/Write Byte (SMBByte)

The SMBus Read/Write Byte protocol (SMBByte) also transfers a single byte of data. But unlike Send/Receive Byte, this protocol uses a command value to reference up to 256 byte-sized virtual registers.

The following ASL code illustrates how a device supporting the Read/Write Byte protocol should be accessed:

```

OperationRegion(SMBD, SMBus, 0x4200, 0x100) // SMBus device at slave address 0x42
Field(SMBD, BufferAcc, NoLock, Preserve)
{
    AccessAs(BufferAcc, SMBByte) // Use the SMBus Read/Write Byte protocol
    FLD0, 8, // Virtual register at command value 0.
    FLD1, 8, // Virtual register at command value 1.
    FLD2, 8 // Virtual register at command value 2.
}

// Create the SMBus data buffer
Name(BUFF, Buffer(34){}) // Create SMBus data buffer as BUFF
CreateByteField(BUFF, 0x00, STAT) // STAT = Status (Byte)
CreateByteField(BUFF, 0x02, DATA) // DATA = Data (Byte)

// Read a byte of data from the device using command value 1
Store(FLD1, BUFF) // Invoke a Read Byte transaction
If(LEqual(STAT, 0x00)) // Successful?
{
    // DATA = Byte read from FLD1...
}

// Write the byte '0x16' to the device using command value 2
Store(0x16, DATA) // Save 0x16 into the data buffer
Store(BUFF, FLD2) // Invoke a Write Byte transaction

```

In this example, three field elements (FLD0, FLD1, and FLD2) are defined to represent the virtual registers for command values 0, 1, and 2. Access to any of the field elements will cause an SMBus transaction to occur to the device. Reading FLD1 results in a Read Byte with a command value of 1, and writing to FLD2 results in a Write Byte with command value 2.

### 13.3.4 Read/Write Word (SMBWord)

The SMBus Read/Write Word protocol (SMBWord) transfers 2 bytes of data. This protocol also uses a command value to reference up to 256 word-sized virtual device registers.

The following ASL code illustrates how a device supporting the Read/Write Word protocol should be accessed:

```

OperationRegion(SMBD, SMBus, 0x4200, 0x100) // SMBus device at slave address 0x42
Field(SMBD, BufferAcc, NoLock, Preserve)
{
    AccessAs(BufferAcc, SMBWord) // Use the SMBus Read/Write Word protocol
    FLD0, 8, // Virtual register at command value 0.
    FLD1, 8, // Virtual register at command value 1.
    FLD2, 8 // Virtual register at command value 2.
}

// Create the SMBus data buffer
Name(BUFF, Buffer(34){}) // Create SMBus data buffer as BUFF
CreateByteField(BUFF, 0x00, STAT) // STAT = Status (Byte)
CreateWordField(BUFF, 0x02, DATA) // DATA = Data (Word)

// Read two bytes of data from the device using command value 1
Store(FLD1, BUFF) // Invoke a Read Word transaction
If(LEqual(STAT, 0x00)) // Successful?
{
    // DATA = Word read from FLD1...
}
// Write the word '0x5416' to the device using command value 2
Store(0x5416, DATA) // Save 0x5416 into the data buffer
Store(BUFF, FLD2) // Invoke a Write Word transaction

```

In this example, three field elements (FLD0, FLD1, and FLD2) are defined to represent the virtual registers for command values 0, 1, and 2. Access to any of the field elements will cause an SMBus transaction to occur to the device. Reading FLD1 results in a Read Word with a command value of 1, and writing to FLD2 results in a Write Word with command value 2.

Notice that although accessing each field element transmits a word (16 bits) of data, the fields are listed as 8 bits each. The actual data size is determined by the protocol. Every field element is declared with a length of 8 bits so that command values and byte offsets are equivalent.

### 13.3.5 Read/Write Block (SMBBlock)

The SMBus Read/Write Block protocol (SMBBlock) transfers variable-sized (0-32 bytes) data. This protocol uses a command value to reference up to 256 block-sized virtual registers.

The following ASL code illustrates how a device supporting the Read/Write Block protocol should be accessed:

```

OperationRegion(SMBD, SMBus, 0x4200, 0x100) // SMBus device at slave address 0x42
Field(SMBD, BufferAcc, NoLock, Preserve)
{
    AccessAs(BufferAcc, SMBBlock) // Use the SMBus Read/Write Block protocol
    FLD0, 8, // Virtual register at command value 0.
    FLD1, 8, // Virtual register at command value 1.
    FLD2, 8 // Virtual register at command value 2.
}

// Create the SMBus data buffer
Name(BUFF, Buffer(34){}) // Create SMBus data buffer as BUFF
CreateByteField(BUFF, 0x00, STAT) // STAT = Status (Byte)
CreateByteField(BUFF, 0x01, SIZE) // SIZE = Length (Byte)
CreateField(BUFF, 0x10, 256, DATA) // DATA = Data (Block)

// Read block data from the device using command value 1
Store(FLD1, BUFF) // Invoke a Read Block transaction
If(LEqual(STAT, 0x00)) // Successful?
{
    // SIZE = Size (number of bytes) of the block data read from FLD1...
    // DATA = Block data read from FLD1...
}

// Write the block 'TEST' to the device using command value 2
Store("TEST", DATA) // Save "TEST" into the data buffer
Store(4, SIZE) // Length of valid data in the data buffer
Store(BUFF, FLD2) // Invoke a Write Word transaction

```

In this example, three field elements (FLD0, FLD1, and FLD2) are defined to represent the virtual registers for command values 0, 1, and 2. Access to any of the field elements will cause an SMBus transaction to occur to the device. Reading FLD1 results in a Read Block with a command value of 1, and writing to FLD2 results in a Write Block with command value 2.

### 13.3.6 Word Process Call (SMBProcessCall)

The SMBus Process Call protocol (SMBProcessCall) transfers 2 bytes of data bi-directionally (performs a Write Word followed by a Read Word as an atomic transaction). This protocol uses a command value to reference up to 256 word-sized virtual registers.

The following ASL code illustrates how a device supporting the Process Call protocol should be accessed:

```
OperationRegion(SMBD, SMBus, 0x4200, 0x100) // SMBus device at slave address 0x42
Field(SMBD, BufferAcc, NoLock, Preserve)
{
    AccessAs(BufferAcc, SMBProcessCall) // Use the SMBus Process Call protocol
    FLD0, 8, // Virtual register at command value 0.
    FLD1, 8, // Virtual register at command value 1.
    FLD2, 8 // Virtual register at command value 2.
}

// Create the SMBus data buffer
Name(BUFF, Buffer(34){}) // Create SMBus data buffer as BUFF
CreateByteField(BUFF, 0x00, STAT) // STAT = Status (Byte)
CreateWordField(BUFF, 0x02, DATA) // DATA = Data (Word)

// Process Call with input value '0x5416' to the device using command value 1
Store(0x5416, DATA) // Save 0x5416 into the data buffer
Store(Store(BUFF, FLD1), BUFF) // Invoke a Process Call transaction
If(LEqual(STAT, 0x00)) // Successful?
{
    // DATA = Word returned from FLD1...
}
```

In this example, three field elements (FLD0, FLD1, and FLD2) are defined to represent the virtual registers for command values 0, 1, and 2. Access to any of the field elements will cause an SMBus transaction to occur to the device. Reading *or* writing FLD1 results in a Process Call with a command value of 1. Notice that unlike other protocols, Process Call involves both a write and read operation in a single atomic transaction. This means that the *Data* element of the SMBus data buffer is set with an input value before the transaction is invoked, and holds the output value following the successful completion of the transaction.

### 13.3.7 Block Process Call (SMBBlockProcessCall)

The SMBus Block Write-Read Block Process Call protocol (SMBBlockProcessCall) transfers a block of data bi-directionally (performs a Write Block followed by a Read Block as an atomic transaction). The maximum aggregate amount of data that may be transferred is limited to 32 bytes. This protocol uses a command value to reference up to 256 block-sized virtual registers.

The following ASL code illustrates how a device supporting the Process Call protocol should be accessed:

```
OperationRegion(SMBD, SMBus, 0x4200, 0x100) // SMBus device at slave address 0x42
Field(SMBD, BufferAcc, NoLock, Preserve)
{
    AccessAs(BufferAcc, SMBBlockProcessCall) // Use the Block Process Call protocol
    FLD0, 8, // Virtual register representing a command value of 0
    FLD1, 8 // Virtual register representing a command value of 1
}

// Create the SMBus data buffer as BUFF
Name(BUFF, Buffer(34)()) // Create SMBus data buffer as BUFF
CreateByteField(BUFF, 0x00, STAT) // STAT = Status (Byte)
CreateByteField(BUFF, 0x01, SIZE) // SIZE = Length (Byte)
CreateField(BUFF, 0x10, 256, DATA) // Data (Block)
```

## 476 Advanced Configuration and Power Interface Specification

```
// Process Call with input value "ACPI" to the device using command value 1

Store("ACPI", DATA)           // Fill in outgoing data
Store(8, SIZE)                 // Length of the valid data
Store(Store(BUFF, FLD1), BUFF) // Execute the PC
if (LEqual(STAT, 0x00))       // Test the status
{
  // BUFF now contains information returned from PC
  // SIZE now equals size of data returned
}
```

## 14 System Address Map Interfaces

This section explains how an ACPI-compatible system conveys its memory resources/type mappings to OSPM. There are three ways for the system to convey memory resources /mappings to OSPM. The first is an INT 15 BIOS interface that is used in IA-PC-based systems to convey the system's initial memory map. UEFI enabled systems use the UEFI **GetMemoryMap()** boot services function to convey memory resources to the OS loader. These resources must then be conveyed by the OS loader to OSPM. See the UEFI Specification for more information on UEFI services.

Lastly, if memory resources may be added or removed dynamically, memory devices are defined in the ACPI Namespace conveying the resource information described by the memory device (see section 9.12, "Memory Devices").

ACPI defines five address range types; AddressRangeMemory, AddressRangeACPI, AddressRangeNVS, AddressRangeUnusable, and AddressRangeReserved as described in the table below:

**Table 14-1 Address Range Types**

Value	Mnemonic	Description
1	<b>AddressRangeMemory</b>	This range is available RAM usable by the operating system.
2	<b>AddressRangeReserved</b>	This range of addresses is in use or reserved by the system and is not to be included in the allocatable memory pool of the operating system's memory manager.
3	<b>AddressRangeACPI</b>	ACPI Reclaim Memory. This range is available RAM usable by the OS after it reads the ACPI tables.
4	<b>AddressRangeNVS</b>	ACPI NVS Memory. This range of addresses is in use or reserve by the system and must not be used by the operating system. This range is required to be saved and restored across an NVS sleep.
5	<b>AddressRangeUnusable</b>	This range of addresses contains memory in which errors have been detected. This range must not be used by OSPM.
6	<b>AddressRangeDisabled</b>	This range of addresses contains memory that is not enabled. This range must not be used by OSPM.
Other	<i>Undefined</i>	Undefined. Reserved for future use. OSPM must treat any range of this type as if the type returned was AddressRangeReserved.

The BIOS can use the *AddressRangeReserved* address range type to block out various addresses as not suitable for use by a programmable device. Some of the reasons a BIOS would do this are:

- The address range contains system ROM.
- The address range contains RAM in use by the ROM.
- The address range is in use by a memory-mapped system device.
- The address range is, for whatever reason, unsuitable for a standard device to use as a device memory space.
- The address range is within an NVRAM device where reads and writes to memory locations are no longer successful, that is, the device was worn out.

**Note:** OSPM will not save or restore memory reported as AddressRangeReserved, AddressRangeUnusable, or AddressRangeDisabled when transitioning to or from the S4 sleeping state.

### 14.1 INT 15H, E820H - Query System Address Map

This interface is used in real mode only on IA-PC-based systems and provides a memory map for all of the installed RAM, and of physical memory ranges reserved by the BIOS. The address map is returned through successive invocations of this interface; each returning information on a single range of physical addresses. Each range includes a type that indicates how the range of physical addresses is to be treated by the OSPM.

If the information returned from E820 in some way differs from INT-15 88 or INT-15 E801, the information returned from E820 supersedes the information returned from INT-15 88 or INT-15 E801. This replacement allows the BIOS to return any information that it requires from INT-15 88 or INT-15 E801 for compatibility reasons. For compatibility reasons, if E820 returns any AddressRangeACPI or AddressRangeNVS memory ranges below 16 MB, the INT-15 88 and INT-15 E801 functions must return the top of memory below the AddressRangeACPI and AddressRangeNVS memory ranges.

The memory map conveyed by this interface is not required to reflect any changes in available physical memory that have occurred after the BIOS has initially passed control to the operating system. For example, if memory is added dynamically, this interface is not required to reflect the new system memory configuration.

**Table 14-2 Input to the INT 15h E820h Call**

Register	Contents	Description
EAX	Function Code	E820h
EBX	Continuation	Contains the continuation value to get the next range of physical memory. This is the value returned by a previous call to this routine. If this is the first call, EBX must contain zero.
ES:DI	Buffer Pointer	Pointer to an Address Range Descriptor structure that the BIOS fills in.
ECX	Buffer Size	The length in bytes of the structure passed to the BIOS. The BIOS fills in the number of bytes of the structure indicated in the ECX register, maximum, or whatever amount of the structure the BIOS implements. The minimum size that must be supported by both the BIOS and the caller is 20 bytes. Future implementations might extend this structure.
EDX	Signature	'SMAP' Used by the BIOS to verify the caller is requesting the system map information to be returned in ES:DI.

**Table 14-3 Output from the INT 15h E820h Call**

Register	Contents	Description
CF	Carry Flag	Non-Carry – Indicates No Error
EAX	Signature	'SMAP.' Signature to verify correct BIOS revision.
ES:DI	Buffer Pointer	Returned Address Range Descriptor pointer. Same value as on input.
ECX	Buffer Size	Number of bytes returned by the BIOS in the address range descriptor. The minimum size structure returned by the BIOS is 20 bytes.
EBX	Continuation	Contains the continuation value to get the next address range descriptor. The actual significance of the continuation value is up to the discretion of the BIOS. The caller must pass the continuation value unchanged as input to the next iteration of the E820 call in order to get the next Address Range Descriptor. A return value of zero means that this is the last descriptor.  <b>Note:</b> the BIOS can also indicate that the last descriptor has already been returned during previous iterations by returning the carry flag set. The caller will ignore any other information returned by the BIOS when the carry flag is set.

**Table 14-4 Address Range Descriptor Structure**

Offset in Bytes	Name	Description
0	BaseAddrLow	Low 32 Bits of Base Address
4	BaseAddrHigh	High 32 Bits of Base Address
8	LengthLow	Low 32 Bits of Length in Bytes
12	LengthHigh	High 32 Bits of Length in Bytes
16	Type	Address type of this range
20	Extended Attributes	See Table 14-5

The *BaseAddrLow* and *BaseAddrHigh* together are the 64-bit base address of this range. The base address is the physical address of the start of the range being specified.

The *LengthLow* and *LengthHigh* together are the 64-bit length of this range. The length is the physical contiguous length in bytes of a range being specified.

The *Type* field describes the usage of the described address range as defined in Table 14-1.

**Table 14-5 Extended Attributes for Address Range Descriptor Structure**

Bit	Mnemonic	Description
0	<i>Reserved</i>	Reserved, must be set to 1.
1	<b>AddressRangeNonVolatile</b>	If set, the Address Range Descriptor represents non-volatile memory. Memory reported as non-volatile may require characterization to determine its suitability for use as conventional RAM.
2	<b>AddressRangeSlowAccess</b>	If set, accesses to the described range may incur considerable latencies
3	<b>AddressRangeErrorLog</b>	If set, the address range descriptor represents memory used for logging hardware errors.
4-31	<i>Reserved</i>	Reserved for future use.

## 14.2 E820 Assumptions and Limitations

- The BIOS returns address ranges describing baseboard memory.
- The BIOS does *not* return a range description for the memory mapping of PCI devices, ISA Option ROMs, and ISA Plug and Play cards because the OS has mechanisms available to detect them.
- The BIOS returns chip set-defined address holes that are not being used by devices as reserved.
- Address ranges defined for baseboard memory-mapped I/O devices, such as APICs, are returned as reserved.
- All occurrences of the system BIOS are mapped as reserved, including the areas below 1 MB, at 16 MB (if present), and at end of the 4-GB address space.
- Standard PC address ranges are not reported. For example, video memory at A0000 to BFFFF physical addresses are not described by this function. The range from E0000 to EFFFF is specific to the baseboard and is reported as it applies to that baseboard.
- All of lower memory is reported as normal memory. The OS must handle standard RAM locations that are reserved for specific uses, such as the interrupt vector table (0:0) and the BIOS data area (40:0).

### 14.3 UEFI GetMemoryMap() Boot Services Function

EFI enabled systems use the UEFI GetMemoryMap() boot services function to convey memory resources to the OS loader. These resources must then be conveyed by the OS loader to OSPM.

The GetMemoryMap interface is only available at boot services time. It is not available as a run-time service after OSPM is loaded. The OS or its loader initiates the transition from boot services to run-time services by calling ExitBootServices(). After the call to ExitBootServices() all system memory map information must be derived from objects in the ACPI Namespace.

The GetMemoryMap() interface returns an array of UEFI memory descriptors. These memory descriptors define a system memory map of all the installed RAM, and of physical memory ranges reserved by the firmware. Each descriptor contains a type field that dictates how the physical address range is to be treated by the operating system. The table below describes the memory types returned by the UEFI GetMemoryMap() interface along with a mapping from UEFI memory type to ACPI address range types. See the UEFI Specification for more information on UEFI memory types.

**Table 14-6 UEFI Memory Types and mapping to ACPI address range types**

Type	Mnemonic	Description	ACPI Address Range Type
0	EfiReservedMemoryType	Not used.	AddressRangeReserved
1	EfiLoaderCode	The Loader and/or OS may use this memory as they see fit. <b>Note:</b> the OS loader that called ExitBootServices() is executing out of one or more EfiLoaderCode sections.	AddressRangeMemory
2	EfiLoaderData	The Loader and/or OS may use this memory as they see fit. <b>Note:</b> the OS loader that called ExitBootServices() is utilizing out of one or more EfiLoaderData sections.	AddressRangeMemory
3	EfiBootServicesCode	Memory available for general use.	AddressRangeMemory
4	EfiBootServicesData	Memory available for general use.	AddressRangeMemory
5	EfiRuntimeServiceCode	The OS and loader must preserve this memory range in the working and ACPI S1–S3 states.	AddressRangeReserved
6	EfiRuntimeServicesData	The OS and loader must preserve this memory range in the working and ACPI S1–S3 states.	AddressRangeReserved
7	EfiConventionalMemory	Memory available for general use.	AddressRangeMemory
8	EfiUnusableMemory	Memory that should not be used by the OS. For example, memory that failed UEFI memory test.	AddressRangeReserved
9	EfiACPIReclaimMemory	The memory is to be preserved by the loader and OS until ACPI is enabled. Once ACPI is enabled, the memory in this range is available for general use.	AddressRangeACPI



Type	Mnemonic	Description	ACPI Address Range Type
10	EfiACPIMemoryNVS	The OS and loader must preserve this memory range in the working and ACPI S1–S3 states.	AddressRangeNVS
11	EfiMemoryMappedIO	The OS does not use this memory. All system memory-mapped I/O port space information should come from ACPI tables.	AddressRangeReserved
12	EfiMemoryMappedIOPortSpace	The OS does not use this memory. All system memory-mapped I/O port space information should come from ACPI tables.	AddressRangeReserved
13	EfiPalCode	The OS and loader must preserve this memory range in the working and ACPI S1–S3 states.	AddressRangeReserved

#### 14.4 UEFI Assumptions and Limitations

- The firmware returns address ranges describing the current system memory configuration.
- The firmware does *not* return a range description for the memory mapping of PCI devices, ISA Option ROMs, and ISA Plug and Play cards because the OS has mechanisms available to detect them.
- The firmware returns chip set-defined address holes that are not being used by devices as reserved.
- Address ranges defined for baseboard memory-mapped I/O devices, such as APICs, are returned as reserved.
- All occurrences of the system firmware are mapped as reserved, including the areas below 1 MB, at 16 MB (if present), and at end of the 4-GB address space. This can include PAL code on Itanium™ Processor Family (IPF)-based platforms.
- Standard PC address ranges are not reported. For example, video memory at A0000 to BFFFF physical addresses are not described by this function. The range from E0000 to EFFFF is specific to the baseboard and is reported as it applies to that baseboard.
- All of lower memory is reported as normal memory. The OS must handle standard RAM locations that are reserved for specific uses, such as the interrupt vector table (0:0) and the BIOS data area (40:0).
- EFI contains descriptors for memory mapped I/O and memory mapped I/O port space to allow for virtual mode calls to UEFI run-time functions. The OS must never use these regions.

#### 14.5 Example Address Map

This sample address map (for an Intel processor-based system) describes a machine that has 128 MB of RAM, 640 KB of base memory and 127 MB of extended memory. The base memory has 639 KB available for the user and 1 KB for an extended BIOS data area. A 4-MB Linear Frame Buffer (LFB) is based at 12 MB. The memory hole created by the chip set is from 8 MB to 16 MB. Memory-mapped APIC devices are in the system. The I/O Unit is at FEC00000 and the Local Unit is at FEE00000. The system BIOS is remapped to 1 GB–64 KB.

The 639-KB endpoint of the first memory range is also the base memory size reported in the BIOS data segment at 40:13. The following table shows the memory map of a typical system.

**Table 14-7 Sample Memory Map**

<b>Base (Hex)</b>	<b>Length</b>	<b>Type</b>	<b>Description</b>
0000 0000	639 KB	AddressRangeMemory	Available Base memory. Typically the same value as is returned using the INT 12 function.
0009 FC00	1 KB	AddressRangeReserved	Memory reserved for use by the BIOS(s). This area typically includes the Extended BIOS data area.
000F 0000	64 KB	AddressRangeReserved	System BIOS
0010 0000	7 MB	AddressRangeMemory	Extended memory, which is not limited to the 64-MB address range.
0080 0000	4 MB	AddressRangeReserved	Chip set memory hole required to support the LFB mapping at 12 MB.
0100 0000	120 MB	AddressRangeMemory	Baseboard RAM relocated above a chip set memory hole.
FEC0 0000	4 KB	AddressRangeReserved	I/O APIC memory mapped I/O at FEC00000.
FEE0 0000	4 KB	AddressRangeReserved	Local APIC memory mapped I/O at FEE00000.
FFFF 0000	64 KB	AddressRangeReserved	Remapped System BIOS at end of address space.

## 14.6 Example: Operating System Usage

The following code segment illustrates the algorithm to be used when calling the Query System Address Map function. It is an implementation example and uses non-standard mechanisms.

```

E820Present = FALSE;
  Reg.ebx = 0;
  do {
    Reg.eax = 0xE820;
    Reg.es = SEGMENT (&Descriptor);
    Reg.di = OFFSET (&Descriptor);
    Reg.ecx = sizeof (Descriptor);
    Reg.edx = 'SMAP';

    _int( 15, regs );

    if ((Regs.eflags & EFLAG_CARRY) || Regs.eax != 'SMAP') {
      break;
    }

    if (Regs.ecx < 20 || Regs.ecx > sizeof (Descriptor) ) {
      // bug in bios - all returned descriptors must be
      // at least 20 bytes long, and cannot be larger then
      // the input buffer.

      break;
    }

    E820Present = TRUE;
    .
    .
    .
    Add address range Descriptor.BaseAddress through
    Descriptor.BaseAddress + Descriptor.Length
    as type Descriptor.Type
    .
    .
    .

  } while (Regs.ebx != 0);

if (!E820Present) {
  .
  .
  .
  call INT-15 88 and/or INT-15 E801 to obtain old style
  memory information
  .
  .
  .
}

```



## 15 Waking and Sleeping

ACPI defines a mechanism to transition the system between the working state (G0) and a sleeping state (G1) or the soft-off (G2) state. During transitions between the working and sleeping states, the context of the user's operating environment is maintained. ACPI defines the quality of the G1 sleeping state by defining the system attributes of four types of ACPI sleeping states (S1, S2, S3, and S4). Each sleeping state is defined to allow implementations that can tradeoff cost, power, and wake latencies. Additionally, ACPI defines the sleeping states such that an ACPI platform can support multiple sleeping states, allowing the platform to transition into a particular sleeping state for a predefined period of time and then transition to a lower power/higher wake latency sleeping state (transitioning through the G0 state)<sup>15</sup>.

ACPI defines a programming model that provides a mechanism for OSPM to initiate the entry into a sleeping or soft-off state (S1-S5); this consists of a 3-bit field SLP\_TYPx<sup>16</sup> that indicates the type of sleep state to enter, and a single control bit SLP\_EN to start the sleeping process.

**Note:** Systems containing processors without a hardware mechanism to place the processor in a low-power state may additionally require the execution of appropriate native instructions to place the processor in a low-power state after OSPM sets the SLP\_EN bit. The hardware may implement a number of low-power sleeping states and then associate these states with the defined ACPI sleeping states (through the SLP\_TYPx fields). The ACPI system firmware creates a sleeping object associated with each supported sleeping state (unsupported sleeping states are identified by the lack of the sleeping object). Each sleeping object contains two constant 3-bit values that OSPM will program into the SLP\_TYPa and SLP\_TYPb fields (in fixed register space).

ACPI also defines an alternate mechanism for entering and exiting the S4 state that passes control to the BIOS to save and restore platform context. Context ownership is similar in definition to the S3 state, but hardware saves and restores the context of memory to non-volatile storage (such as a disk drive), and OSPM treats this as an S4 state with implied latency and power constraints. This alternate mechanism of entering the S4 state is referred to as the S4BIOS transition.

Prior to entering a sleeping state (S1-S4), OSPM will execute OEM-specific AML/ASL code contained in the \_PTS (Prepare To Sleep) control method. One use of the \_PTS control method is that it can indicate to the embedded controller what sleeping state the system will enter when the SLP\_EN bit is set. The embedded controller can then respond by executing the proper power-plane sequencing upon this bit being set.

Immediately prior to entering a system sleeping state, OSPM will execute the \_GTS (Going To Sleep) control method. \_GTS allows ACPI system firmware to perform any necessary system specific functions prior to entering a system sleeping state.

Upon waking, OSPM will execute the \_BFS (Back From Sleep) control method. This allows ACPI system firmware to perform any necessary system specific functions prior to returning control to OSPM. The \_WAK (Wake) control method is then executed. This control method again contains OEM-specific AML/ASL code. One use of the \_WAK control method requests OSPM to check the platform for any devices that might have been added or removed from the system while the system was asleep. For example, a PC Card controller might have had a PC Card added or removed, and because the power to this device was off in the sleeping state, the status change event was not generated.

---

<sup>15</sup> OSPM uses the RTC wakeup feature to program in the time transition delay. Prior to sleeping, OSPM will program the RTC alarm to the closest (in time) wakeup event: either a transition to a lower power sleeping state, or a calendar event (to run some application).

<sup>16</sup> Notice that there can be two fixed PM1x\_CNT registers, each pointing to a different system I/O space region. Normally a register grouping only allows a bit or bit field to reside in a single register group instance (a or b); however, each platform can have two instances of the SLP\_TYP (one for each grouping register: a and b). The \\_Sx control method gives a package with two values: the first is the SLP\_TYPa value and the second is the SLP\_TYPb value.

This section discusses the system initialization sequence of an ACPI-enabled platform. This includes the boot sequence, different wake scenarios, and an example to illustrate how to use the system address map reporting interfaces. This sequence is part of the ACPI event programming model.

For detailed information on the power management control methods described above, see section 7, “Power and Performance Management.”

## 15.1 Sleeping States

The illustration below shows the transitions between the working state, the sleeping states, and the Soft Off state.

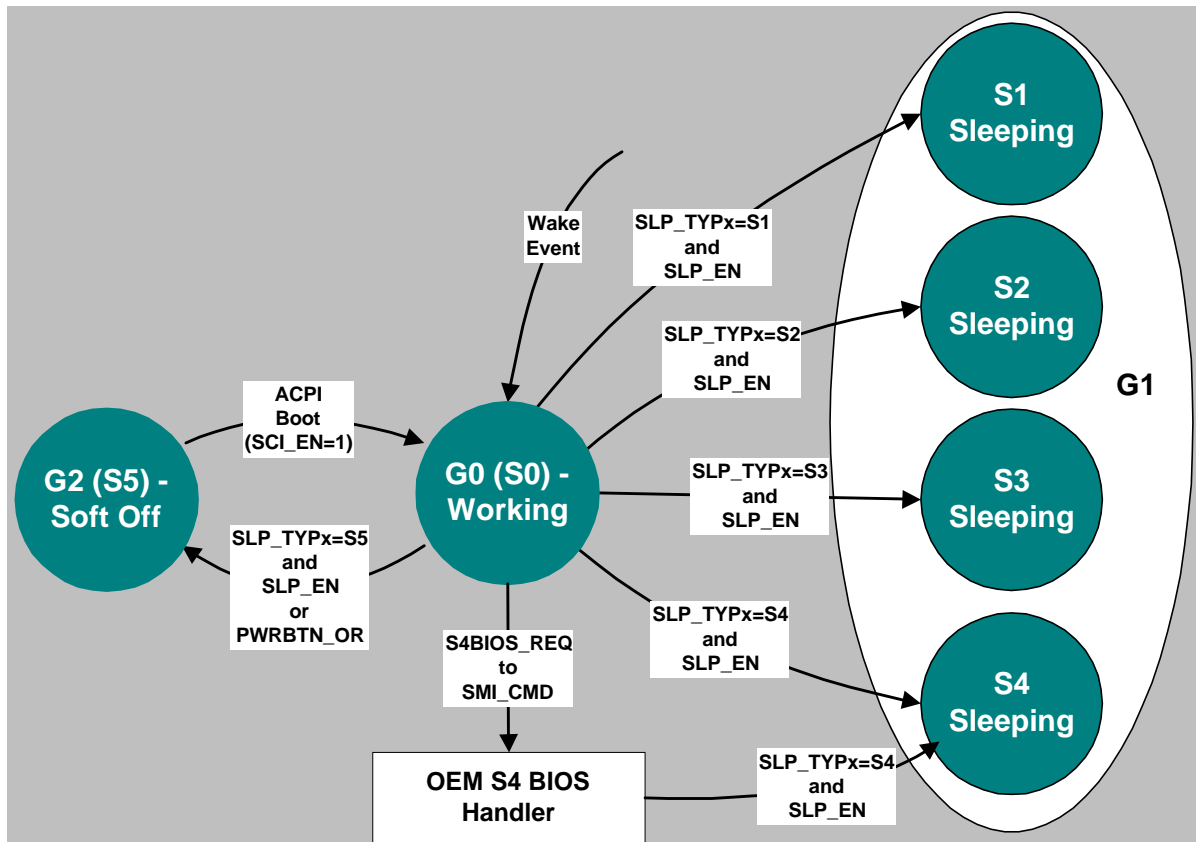


Figure 15-1 Example Sleeping States

ACPI defines distinct differences between the G0 and G1 system states.

- In the G0 state, work is being performed by the OS/application software and the hardware. The CPU or any particular hardware device could be in any one of the defined power states (C0-C3 or D0-D3); however, some work will be taking place in the system.
- In the G1 state, the system is assumed to be doing no work. Prior to entering the G1 state, OSPM will place devices in a device power state compatible with the system sleeping state to be entered; if a device is enabled to wake the system, then OSPM will place these devices into the lowest  $D_x$  state from which the device supports wake. This is defined in the power resource description of that device object. This definition of the G1 state implies:
  - The CPUs execute no instructions in the G1 state.
  - Hardware devices are not operating (except possibly to generate a wake event).
  - ACPI registers are affected as follows:
    - Wake event bits are enabled in the corresponding fixed or general-purpose registers according to enabled wake options.
    - PM1 control register is programmed for the desired sleeping state.

- WAK\_STS is set by hardware in the sleeping state.

All sleeping states have these specifications. ACPI defines additional attributes that allow an ACPI platform to have up to four different sleeping states, each of which has different attributes. The attributes were chosen to allow differentiation of sleeping states that vary in power, wake latency, and implementation cost tradeoffs.

Running processors at reduced levels of performance is not an ACPI sleeping state (G1); this is a working (G0) state-defined event.

The CPU cannot execute any instructions when in the sleeping state; OSPM relies on this fact. A platform designer might be tempted to support a sleeping system by reducing the clock frequency of the system, which allows the platform to maintain a low-power state while at the same time maintaining communication sessions that require constant interaction (as with some network environments). This is definitely a G0 activity where an OS policy decision has been made to turn off the user interface (screen) and run the processor in a reduced performance mode. This type of reduced performance state as a sleeping state is not defined by the ACPI specification; ACPI assumes no code execution during sleeping states.

ACPI defines attributes for four sleeping states: S1, S2, S3 and S4. (Notice that S4 and S5 are very similar from a hardware standpoint.) ACPI-compatible platforms can support multiple sleeping states. ACPI specifies that a 3-bit binary number be associated with each sleeping state (these numbers are given objects within ACPI's root namespace: `\_S0`, `\_S1`, `\_S2`, `\_S3`, `\_S4` and `\_S5`). When entering a system sleeping state, OSPM will do the following:

1. Pick the deepest sleeping state supported by the platform and enabled waking devices.
2. Execute the `_PTS` control method (which passes the type of intended sleep state to OEM AML code).
3. If OS policy decides to enter the S4 state and chooses to use the S4BIOS mechanism and S4BIOS is supported by the platform, OSPM will pass control to the BIOS software by writing the `S4BIOS_REQ` value to the `SML_CMD` port.
4. If not using the S4BIOS mechanism, OSPM gets the `SLP_TYPx` value from the associated sleeping object (`\_S1`, `\_S2`, `\_S3`, `\_S4` or `\_S5`).
5. Program the `SLP_TYPx` fields with the values contained in the selected sleeping object.
6. Execute the `_GTS` control method, passing an argument that indicates the sleeping state to be entered (1, 2, 3, or 4 representing S1, S2, S3, and S4).
7. If entering S1, S2, or S3, flush the processor caches.
8. If not entering S4BIOS, set the `SLP_EN` bit to start the sleeping sequence. (This actually occurs on the same write operation that programs the `SLP_TYPx` field in the `PM1_CNT` register.) If entering S4BIOS, write the `S4BIOS_REQ` value into the `SML_CMD` port.
9. On systems containing processors without a hardware mechanism to place the processor in a low-power state, execute appropriate native instructions to place the processor in a low-power state.

The `_PTS` control method provides the BIOS a mechanism for performing some housekeeping, such as writing the sleep type value to the embedded controller, before entering the system sleeping state. Control method execution occurs "just prior" to entering the sleeping state and is not an event synchronized with the write to the `PM1_CNT` register. Execution can take place several seconds prior to the system actually entering the sleeping state. As such, no hardware power-plane sequencing takes place by execution of the `_PTS` control method.

Upon waking, the `_BFS` control method is executed. OSPM then executes the `_WAK` control method. This control method executes OEM-specific ASL/AML code that can search for any devices that have been added or removed during the sleeping state.

The following sections describe the sleeping state attributes.

### 15.1.1 S1 Sleeping State

The S1 state is defined as a low wake-latency sleeping state. In this state, all system context is preserved with the exception of CPU caches. Before setting the SLP\_EN bit, OSPM will flush the system caches. If the platform supports the WBINVD instruction (as indicated by the WBINVD and WBINVD\_FLUSH flags in the FADT), OSPM will execute the WBINVD instruction. The hardware is responsible for maintaining all other system context, which includes the context of the CPU, memory, and chipset.

Examples of S1 sleeping state implementation alternatives follow.

#### 15.1.1.1 Example 1: S1 Sleeping State Implementation

This example references an IA processor that supports the stop grant state through the assertion of the STPCLK# signal. When SLP\_TYPx is programmed to the S1 value (the OEM chooses a value, which is then placed in the \\_S1 object) and the SLP\_ENx bit is subsequently set, the hardware can implement an S1 state by asserting the STPCLK# signal to the processor, causing it to enter the stop grant state.

In this case, the system clocks (PCI and CPU) are still running. Any enabled wake event causes the hardware to de-assert the STPCLK# signal to the processor whereby OSPM must first invalidate the CPU caches and then transition back into the working state.

#### 15.1.1.2 Example 2: S1 Sleeping State Implementation

When SLP\_TYPx is programmed to the S1 value and the SLP\_ENx bit is subsequently set, the hardware will implement an S1 sleeping state transition by doing the following:

1. Placing the processor into the stop grant state.
2. Stopping the processor's input clock, placing the processor into the stop clock state.
3. Placing system memory into a self-refresh or suspend-refresh state. Refresh is maintained by the memory itself or through some other reference clock that is not stopped during the sleeping state.
4. Stopping all system clocks (asserts the standby signal to the system PLL chip). Normally the RTC will continue running.

In this case, all clocks in the system have been stopped (except for the RTC). Hardware must reverse the process (restarting system clocks) upon any enabled wake event whereby OSPM must first invalidate the CPU caches and then transition back into the working state.

### 15.1.2 S2 Sleeping State

The S2 state is defined as a low wake latency sleep state. This state is similar to the S1 sleeping state where any context except for system memory may be lost. Additionally, control starts from the processor's reset vector after the wake event. Before setting the SLP\_EN bit, OSPM will flush the system caches. If the platform supports the WBINVD instruction (as indicated by the WBINVD and WBINVD\_FLUSH flags in the FADT), OSPM will execute the WBINVD instruction. The hardware is responsible for maintaining chip set and memory context. An example of an S2 sleeping state implementation follows.

#### 15.1.2.1 Example: S2 Sleeping State Implementation

When the SLP\_TYPx register(s) are programmed to the S2 value (found in the \\_S2 object) and the SLP\_EN bit is set, the hardware will implement an S2 sleeping state transition by doing the following:

1. Stopping system clocks (the only running clock is the RTC).
2. Placing system memory into a self-refresh or suspend-refresh state.
3. Powering off the CPU and cache subsystem.

In this case, the CPU is reset upon detection of the wake event; however, core logic and memory maintain their context. Execution control starts from the CPU's boot vector. The BIOS is required to:

- Program the initial boot configuration of the CPU (such as the CPU's MSR and MTRR registers).
- Initialize the cache controller to its initial boot size and configuration.
- Enable the memory controller to accept memory accesses.
- Jump to the waking vector.



### 15.1.3 S3 Sleeping State

The S3 state is defined as a low wake-latency sleep state. From the software viewpoint, this state is functionally the same as the S2 state. The operational difference is that some Power Resources that may have been left ON in the S2 state may not be available to the S3 state. As such, some devices may be in a lower power state when the system is in S3 state than when the system is in the S2 state. Similarly, some device wake events can function in S2 but not S3. An example of an S3 sleeping state implementation follows.

#### 15.1.3.1 Example: S3 Sleeping State Implementation

When the SLP\_TYPx register(s) are programmed to the S3 value (found in the \\_S3 object) and the SLP\_EN bit is set, the hardware will implement an S3 sleeping state transition by doing the following:

1. Placing the memory into a low-power auto-refresh or self-refresh state.
2. Devices that are maintaining memory isolating themselves from other devices in the system.
3. Removing power from the system. At this point, only devices supporting memory are powered (possibly partially powered). The only clock running in the system is the RTC clock.

In this case, the wake event repowers the system and resets most devices (depending on the implementation).

Execution control starts from the CPU's boot vector. The BIOS is required to:

1. Program the initial boot configuration of the CPU (such as the MSR and MTRR registers).
2. Initialize the cache controller to its initial boot size and configuration.
3. Enable the memory controller to accept memory accesses.
4. Jump to the waking vector.

Notice that if the configuration of cache memory controller is lost while the system is sleeping, the BIOS is required to reconfigure it to either the pre-sleeping state or the initial boot state configuration. The BIOS can store the configuration of the cache memory controller into the reserved memory space, where it can then retrieve the values after waking. OSPM will call the \_PTS method once per session (prior to sleeping).

The BIOS is also responsible for restoring the memory controller's configuration. If this configuration data is destroyed during the S3 sleeping state, then the BIOS needs to store the pre-sleeping state or initial boot state configuration in a non-volatile memory area (as with RTC CMOS RAM) to enable it to restore the values during the waking process.

When OSPM re-enumerates buses coming out of the S3 sleeping state, it will discover any devices that have been inserted or removed, and configure devices as they are turned on.

### 15.1.4 S4 Sleeping State

The S4 sleeping state is the lowest-power, longest wake-latency sleeping state supported by ACPI. In order to reduce power to a minimum, it is assumed that the hardware platform has powered off all devices. Because this is a sleeping state, the platform context is maintained. Depending on how the transition into the S4 sleeping state occurs, the responsibility for maintaining system context changes. S4 supports two entry mechanisms: OS initiated and BIOS-initiated. The OSPM-initiated mechanism is similar to the entry into the S1-S3 sleeping states; OSPM driver writes the SLP\_TYPx fields and sets the SLP\_EN bit. The BIOS-initiated mechanism occurs by OSPM transferring control to the BIOS by writing the S4BIOS\_REQ value to the SMI\_CMD port.

In OSPM-initiated S4 sleeping state, OSPM is responsible for saving all system context. Before entering the S4 state, OSPM will save context of all memory with the exception of memory reported as type AddressRangeReserved (see section 15, "System Address Map Interfaces," for more information). Upon waking, OSPM will then restore the system context. When OSPM re-enumerates buses coming out of the S4 sleeping state, it will discover any devices that have come and gone, and configure devices as they are turned on.

In the BIOS-initiated S4 sleeping state, OSPM is responsible for the same system context as described in the S3 sleeping state (BIOS restores the memory and some chip set context). The S4BIOS transition transfers control to the BIOS, allowing it to save context to non-volatile memory (such as a disk partition).

#### 15.1.4.1 Operating System-Initiated S4 Transition

If OSPM supports OSPM-initiated S4 transition, it will not generate a BIOS-initiated S4 transition. Platforms that support the BIOS-initiated S4 transition also support OSPM-initiated S4 transition.

OSPM-initiated S4 transition is initiated by OSPM by saving system context, writing the appropriate values to the SLP\_TYPx register(s), and setting the SLP\_EN bit. Upon exiting the S4 sleeping state, the BIOS restores the chipset to its POST condition, updates the hardware signature (described later in this section), and passes control to OSPM through a normal boot process.

When the BIOS builds the ACPI tables, it generates a hardware signature for the system. If the hardware configuration has changed during an OS-initiated S4 transition, the BIOS updates the hardware signature in the FACS table. A change in hardware configuration is defined to be any change in the platform hardware that would cause the platform to fail when trying to restore the S4 context; this hardware is normally limited to boot devices. For example, changing the graphics adapter or hard disk controller while in the S4 state should cause the hardware signature to change. On the other hand, removing or adding a PC Card device from a PC Card slot should not cause the hardware signature to change.

#### 15.1.4.2 The S4BIOS Transition

The BIOS-initiated S4 transition begins with OSPM writing the S4BIOS\_REQ value into the SMI\_CMD port (as specified in the FADT). Once gaining control, the BIOS then saves the appropriate memory and chip set context, and then places the platform into the S4 state (power off to all devices).

In the FACS memory table, there is the S4BIOS\_F bit that indicates hardware support for the BIOS-initiated S4 transition. If the hardware platform supports the S4BIOS state, it sets the S4BIOS\_F flag within the FACS memory structure prior to booting the OS. If the S4BIOS\_F flag in the FACS table is set, this indicates that OSPM can request the BIOS to transition the platform into the S4BIOS sleeping state by writing the S4BIOS\_REQ value (found in the FADT) to the SMI\_CMD port (identified by the SMI\_CMD value in the FADT).

Upon waking the BIOS, software restores memory context and jumps to the waking vector (similar to wake from an S3 state). Coming out of the S4BIOS state, the BIOS must only configure boot devices (so it can read the disk partition where it saved system context). When OSPM re-enumerates buses coming out of the S4BIOS state, it will discover any devices that have come and gone, and configure devices as they are turned on.

#### 15.1.5 S5 Soft Off State

OSPM places the platform in the S5 soft off state to achieve a logical off. Notice that *the S5 state is not a sleeping state* (it is a G2 state) and no context is saved by OSPM or hardware but power may still be applied to parts of the platform in this state and as such, it is not safe to disassemble. Also notice that from a hardware perspective, the S4 and S5 states are nearly identical. When initiated, the hardware will sequence the system to a state similar to the off state. The hardware has no responsibility for maintaining any system context (memory or I/O); however, it does allow a transition to the S0 state due to a power button press or a Remote Start. Upon start-up, the BIOS performs a normal power-on reset, loads the boot sector, and executes (but not the waking vector, as all ACPI table context is lost when entering the S5 soft off state).

The \_TTS control method allows the BIOS a mechanism for performing some housekeeping, such as storing the targeted sleep state in a “global” variable that is accessible by other control methods (such as \_PS3 and \_DSW).

### 15.1.6 Transitioning from the Working to the Sleeping State

On a transition of the system from the working to the sleeping state, the following occurs:

1. OSPM decides (through a policy scheme) to place the system into the sleeping state.
2. OSPM invokes the `_TTS` method to indicate the deepest possible system state the system will transition to (1, 2, 3, or 4 representing S1, S2, S3, and S4).
3. OSPM examines all devices enabled to wake the system and determines the deepest possible sleeping state the system can enter to support the enabled wake functions. The `_PRW` named object under each device is examined, as well as the power resource object it points to.
4. OSPM places all device drivers into their respective `Dx` state. If the device is enabled for wake, it enters the `Dx` state associated with the wake capability. If the device is not enabled to wake the system, it enters the `D3` state.
5. OSPM executes the `_PTS` control method, passing an argument that indicates the desired sleeping state (1, 2, 3, or 4 representing S1, S2, S3, and S4).
6. OSPM saves any other processor's context (other than the local processor) to memory.
7. OSPM writes the waking vector into the FACS table in memory.
8. OSPM executes the `_GTS` control method, passing an argument that indicates the sleeping state to be entered (1, 2, 3, or 4 representing S1, S2, S3, and S4).
9. OSPM clears the `WAK_STS` in the `PM1a_STS` and `PM1b_STS` registers.
10. OSPM saves the local processor's context to memory.
11. OSPM flushes caches (only if entering S1, S2 or S3).
12. OSPM sets GPE enable registers to ensure that all appropriate wake signals are armed.
13. If entering an S4 state using the S4BIOS mechanism, OSPM writes the `S4BIOS_REQ` value (from the FADT) to the `SMI_CMD` port. This passes control to the BIOS, which then transitions the platform into the S4BIOS state.
14. If not entering an S4BIOS state, then OSPM writes `SLP_TYPa` (from the associated sleeping object) with the `SLP_ENa` bit set to the `PM1a_CNT` register.
15. OSPM writes `SLP_TYPb` with the `SLP_EN` bit set to the `PM1b_CNT` register.
16. On systems containing processors without a hardware mechanism to place the processor in a low-power state, OSPM executes appropriate native instructions to place the processor in a low-power state.
17. OSPM loops on the `WAK_STS` bit (in both the `PM1a_CNT` and `PM1b_CNT` registers).
18. The system enters the specified sleeping state.

**Note:** this is accomplished after step 14 or 15 above.

### 15.1.7 Transitioning from the Working to the Soft Off State

On a transition of the system from the working to the soft off state, the following occurs:

1. OSPM executes the `_PTS` control method, passing the argument 5.
2. OSPM prepares its components to shut down (flushing disk caches).
3. OSPM executes the `_GTS` control method, passing the argument 5.
4. OSPM writes `SLP_TYPa` (from the `\_S5` object) with the `SLP_ENa` bit set to the `PM1a_CNT` register.
5. OSPM writes `SLP_TYPb` (from the `\_S5` object) with the `SLP_ENb` bit set to the `PM1b_CNT` register.
6. The system enters the Soft Off state.

## 15.2 Flushing Caches

Before entering the S1, S2 or S3 sleeping states, OSPM is responsible for flushing the system caches. ACPI provides a number of mechanisms to flush system caches. These include:

- Using a native instruction (for example, the IA-32 architecture `WBINVD` instruction) to flush and invalidate platform caches.  
`WBINVD_FLUSH` flag set (1) in the FADT indicates the system provides this support level.

- Using the IA-32 instruction WBINVD to flush but **not** invalidate the platform caches. WBINVD flag set (1) in the FADT indicates the system provides this support level.

The manual flush mechanism has two caveats:

- Largest cache is 1 MB in size (FLUSH\_SIZE is a maximum value of 2 MB).
- No victim caches (for which the manual flush algorithm is unreliable).

Processors with built-in victim caches will not support the manual flush mechanism and are therefore required to support the WBINVD mechanism to use the S2 or S3 state.

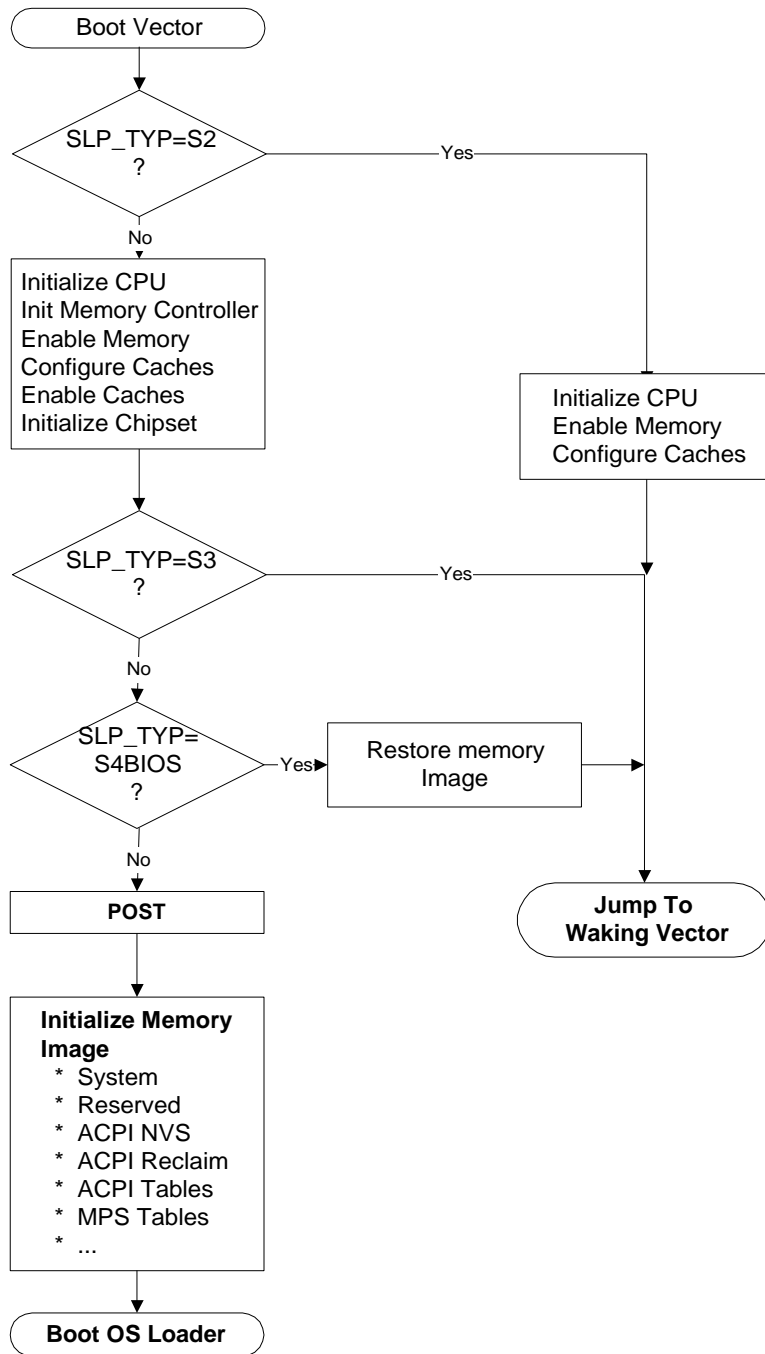
The manual cache-flushing mechanism relies on the two FADT fields:

- **FLUSH\_SIZE.** Indicates twice the size of the largest cache in bytes.
- **FLUSH\_STRIDE.** Indicates the smallest line size of the caches in bytes.

The cache flush size value is typically twice the size of the largest cache size, and the cache flush stride value is typically the size of the smallest cache line size in the platform. OSPM will flush the system caches by reading a contiguous block of memory indicated by the cache flush size.

### 15.3 Initialization

This section covers the initialization sequences for an ACPI platform. After a reset or wake from an S2, S3, or S4 sleeping state (as defined by the ACPI sleeping state definitions), the CPU will start execution from its boot vector. At this point, the initialization software has many options, depending on what the hardware platform supports. This section describes at a high level what should be done for these different options. Figure 15-2 illustrates the flow of the boot-up software.



**Figure 15-2 BIOS Initialization**

The processor will start executing at its power-on reset vector when waking from an S2, S3, or S4 sleeping state, during a power-on sequence, or as a result of a hard or soft reset.

When executing from the power-on reset vector as a result of a power-on sequence, a hard or soft reset, **or waking from an S4 sleep state**, the platform firmware performs complete hardware initialization; placing the system in a boot configuration. The firmware then passes control to the operating system boot loader.

When executing from the power-on reset vector as a result of waking from an S2 or S3 sleep state, the platform firmware performs only the hardware initialization required to restore the system to either the state the platform was in prior to the initial operating system boot, or to the pre-sleep configuration state. In multiprocessor systems, non-boot processors should be placed in the same state as prior to the initial operating system boot. The platform firmware then passes control back to OSPM system by jumping to either the Firmware\_Waking\_Vector or the X\_Firmware\_Waking\_Vector in the FACS (see table 5-12 for more information). The contents of operating system memory contents may not be changed during the S2 or S3 sleep state.

First, the BIOS determines whether this is a wake from S2 or S3 by examining the SLP\_TYP register value, which is preserved between sleeping sessions. If this is an S2 or S3 wake, then the BIOS restores minimum context of the system before jumping to the waking vector. This includes:

- **CPU configuration.** BIOS restores the pre-sleep configuration or initial boot configuration of each CPU (MSR, MTRR, BIOS update, SMBase, and so on). Interrupts must be disabled (for IA-32 processors, disabled by CLI instruction).
- **Memory controller configuration.** If the configuration is lost during the sleeping state, the BIOS initializes the memory controller to its pre-sleep configuration or initial boot configuration.
- **Cache memory configuration.** If the configuration is lost during the sleeping state, the BIOS initializes the cache controller to its pre-sleep configuration or initial boot configuration.
- **Functional device configuration.** The BIOS doesn't need to configure/restore context of functional devices such as a network interface (even if it is physically included in chipset) or interrupt controller. OSPM is responsible for restoring all context of these devices. The only requirement for the hardware and BIOS is to ensure that interrupts are not asserted by devices when the control is passed to OS.
- **ACPI registers.** SCI\_EN bit must be set. All event status/enable bits (PM1x\_STS, PM1x\_EN, GPEx\_STS and GPEx\_EN) must not be changed by BIOS.

**Note:** The BIOS may reconfigure the CPU, memory controller and cache memory controller to either the pre-sleeping configuration or the initial boot configuration. OSPM must accommodate both configurations.

When waking from an S4BIOS sleeping state, the BIOS initializes a minimum number of devices such as CPU, memory, cache, chipset and boot devices. After initializing these devices, the BIOS restores memory context from non-volatile memory such as hard disk, and jumps to waking vector.

As mentioned previously, waking from an S4 state is treated the same as a cold boot: the BIOS runs POST and then initializes memory to contain the ACPI system description tables. After it has finished this, it can call OSPM loader, and control is passed to OSPM.

When waking from S4 (either S4OS or S4BIOS), the BIOS may optionally set SCI\_EN bit before passing control to OSPM. In this case, interrupts must be disabled (for IA-32 processors, disabled CLI instruction) until the control is passed to OSPM and the chipset must be configured in ACPI mode.

### 15.3.1 Placing the System in ACPI Mode

When a platform initializes from a cold boot (mechanical off or from an S4 or S5 state), the hardware platform may be configured in a legacy configuration. From these states, the BIOS software initializes the computer as it would for a legacy operating system. When control is passed to the operating system, OSPM will check the SCI\_EN bit and if it is not set will then enable ACPI mode by first finding the ACPI tables, and then by generating a write of the ACPI\_ENABLE value to the SMI\_CMD port (as described in the FADT). The hardware platform will set the SCI\_EN bit to indicate to OSPM that the hardware platform is now configured for ACPI.

**Note:** Before SCI is enabled, no SCI interrupt can occur. Nor can any SCI interrupt occur immediately after ACPI is on. The SCI interrupt can only be signaled after OSPM has enabled one of the GPE/PM1 enable bits.

When the platform is waking from an S1, S2 or S3 state, OSPM assumes the hardware is already in the ACPI mode and will not issue an ACPI\_ENABLE command to the SMI\_CMD port.

### 15.3.2 BIOS Initialization of Memory

During a power-on reset, an exit from an S4 sleeping state, or an exit from an S5 soft-off state, the BIOS needs to initialize memory. This section explains how the BIOS should configure memory for use by a number of features including:

- ACPI tables.
- BIOS memory that wants to be saved across S4 sleeping sessions and should be cached.
- BIOS memory that does not require saving and should be cached.

For example, the configuration of the platform’s cache controller requires an area of memory to store the configuration data. During the wake sequence, the BIOS will re-enable the memory controller and can then use its configuration data to reconfigure the cache controllers. To support these three items, IA-PC-based systems contain system address map reporting interfaces that return the following memory range types:

- **ACPI Reclaim Memory.** Memory identified by the BIOS that contains the ACPI tables. This memory can be any place above 8 MB and contains the ACPI tables. When OSPM is finished using the ACPI tables, it is free to reclaim this memory for system software use (application space).
- **ACPI Non-Volatile-Sleeping Memory (NVS).** Memory identified by the BIOS as being reserved by the BIOS for its use. OSPM is required to tag this memory as cacheable, and to save and restore its image before entering an S4 state. Except as directed by control methods, OSPM is not allowed to use this physical memory. OSPM will call the \_PTS control method some time before entering a sleeping state, to allow the platform’s AML code to update this memory image before entering the sleeping state. After the system awakes from an S4 state, OSPM will restore this memory area and call the \_WAK control method to enable the BIOS to reclaim its memory image.

**Note:** The memory information returned from the system address map reporting interfaces should be the same before and after an S4 sleep.

When the system is first booting, OSPM will invoke E820 interfaces on IA-PC-based legacy systems or the GetMemoryMap() interface on UEFI-enabled systems to obtain a system memory map (see section 15, “System Address Map Interfaces,” for more information). As an example, the following memory map represents a typical IA-PC-based legacy platform’s physical memory map.

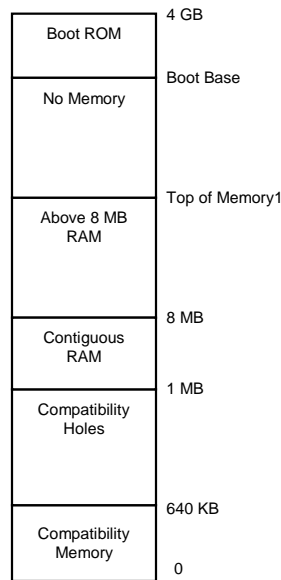


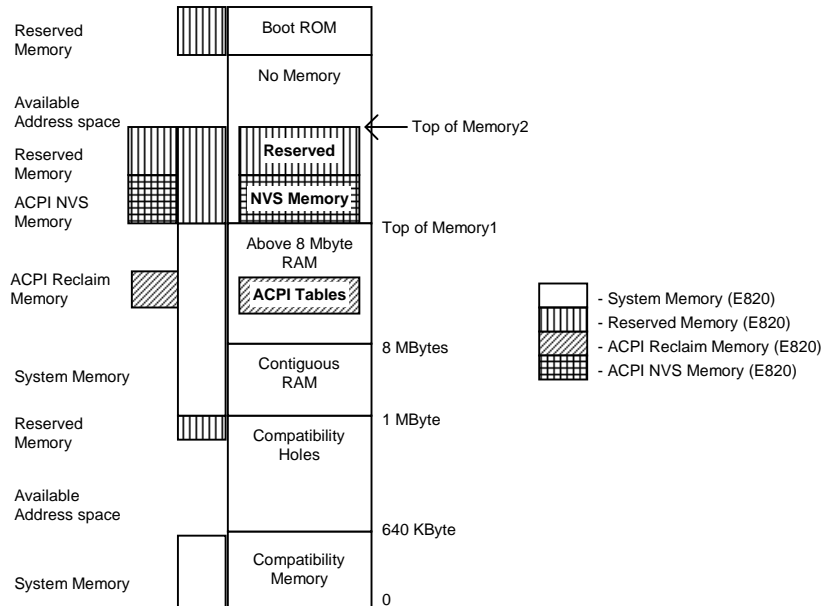
Figure 15-3 Example Physical Memory Map

The names and attributes of the different memory regions are listed below:

- **0–640 KB.** Compatibility Memory. Application executable memory for an 8086 system.
- **640 KB–1 MB.** Compatibility Holes. Holes within memory space that allow accesses to be directed to the PC-compatible frame buffer (A0000h-BFFFFh), to adapter ROM space (C0000h-DFFFFh), and to system BIOS space (E0000h-FFFFFh).
- **1 MB–8 MB.** Contiguous RAM. An area of contiguous physical memory addresses. Operating systems may require this memory to be contiguous in order for its loader to load the OS properly on boot up. (No memory-mapped I/O devices should be mapped into this area.)
- **8 MB–Top of Memory1.** This area contains memory to the “top of memory1” boundary. In this area, memory-mapped I/O blocks are possible.
- **Boot Base–4 GB.** This area contains the bootstrap ROM.

The BIOS should decide where the different memory structures belong, and then configure the E820 handler to return the appropriate values.

For this example, the BIOS will report the system memory map by E820 as shown in Figure 15-4. Notice that the memory range from 1 MB to top of memory is marked as system memory, and then a small range is additionally marked as ACPI reclaim memory. A legacy OS that does not support the E820 extensions will ignore the extended memory range calls and correctly mark that memory as system memory.



**Figure 15-4 Memory as Configured after Boot**

Also, from the Top of Memory1 to the Top of Memory2, the BIOS has set aside some memory for its own use and has marked as reserved both ACPI NVS Memory and Reserved Memory. A legacy OS will throw out the ACPI NVS Memory and correctly mark this as reserved memory (thus preventing this memory range from being allocated to any add-in device).

OSPM will call the `_PTS` control method prior to initiating a sleep (by programming the sleep type, followed by setting the `SLP_EN` bit). During a catastrophic failure (where the integrity of the AML code interpreter or driver structure is questionable), if OSPM decides to shut the system off, it will not issue a `_PTS`, but will immediately issue a `SLP_TYP` of “soft off” and then set the `SLP_EN` bit. Hence, the hardware should not rely solely on the `_PTS` control method to sequence the system to the “soft off” state. After waking from an S4 state, OSPM will restore the ACPI NVS memory image and then issue the `_WAK` control method that informs BIOS that its memory image is back.



### 15.3.3 OS Loading

At this point, the BIOS has passed control to OSPM, either by using OSPM boot loader (a result of waking from an S4/S5 or boot condition) or OSPM waking vector (a result of waking from an S2 or S3 state). For the Boot OS Loader path, OSPM will get the system address map via one of the mechanisms describe in section 15, “System Address Map Interfaces.” If OSPM is booting from an S4 state, it will then check the NVS image file’s hardware signature with the hardware signature within the FACS table (built by BIOS) to determine whether it has changed since entering the sleeping state (indicating that the platforms fundamental hardware configuration has changed during the current sleeping state). If the signature has changed, OSPM will not restore the system context and can boot from scratch (from the S4 state). Next, for an S4 wake, OSPM will check the NVS file to see whether it is valid. If valid, then OSPM will load the NVS image into system memory. Next, OSPM will check the SCI\_EN bit and if it is not set, will write the ACPI\_ENABLE value to the SMI\_CMD register to switch into the system into ACPI mode and will then reload the memory image from the NVS file.

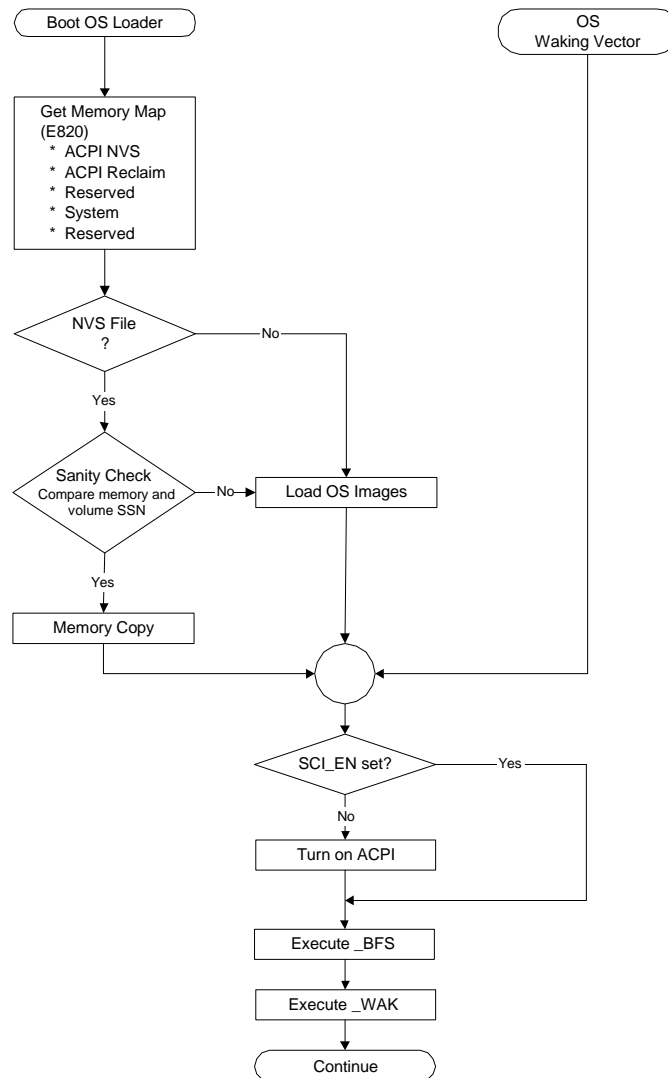


Figure 15-5 OS Initialization

If an NVS image file did not exist, then OSPM loader will load OSPM from scratch. At this point, OSPM will generate a `_WAK` call that indicates to the BIOS that its ACPI NVS memory image has been successfully and completely updated.

### 15.3.4 Exiting ACPI Mode

For machines that do not boot in ACPI mode, ACPI provides a mechanism that enables the OS to disable ACPI. The following occurs:

1. OSPM unloads all ACPI drivers (including the ACPI driver).
2. OSPM disables all ACPI events.
3. OSPM finishes using all ACPI registers.
4. OSPM issues an I/O access to the port at the address contained in the `SMI_CMD` field (in the FADT) with the value contained in the `ACPI_DISABLE` field (in the FADT).
5. BIOS then remaps all SCI events to legacy events and resets the `SCI_EN` bit.
6. Upon seeing the `SCI_EN` bit cleared, the ACPI OS enters the legacy OS mode.

When and if the legacy OS returns control to the ACPI OS, if the legacy OS has not maintained the ACPI tables (in reserved memory and ACPI NVS memory), the ACPI OS will reboot the system to allow the BIOS to re-initialize the tables.

## 16 Non-Uniform Memory Access (NUMA) Architecture Platforms

Systems employing a Non Uniform Memory Access (NUMA) architecture contain collections of hardware resources including processors, memory, and I/O buses, that comprise what is commonly known as a “NUMA node”. Two or more NUMA nodes are linked to each other via a high-speed interconnect. Processor accesses to memory or I/O resources within the local NUMA node are generally faster than processor accesses to memory or I/O resources outside of the local NUMA node, accessed via the node interconnect. ACPI defines interfaces that allow the platform to convey NUMA node topology information to OSPM both statically at boot time and dynamically at run time as resources are added or removed from the system.

### 16.1 NUMA Node

A conceptual model for a node in a NUMA configuration may contain one or more of the following components:

- Processor
- Memory
- I/O Resources
- Networking, Storage
- Chipset

The components defined as part of the model are intended to represent all possible components of a NUMA node. A specific node in an implementation of a NUMA platform may not provide all of these components. At a minimum, each node must have a chipset with an interface to the interconnect between nodes.

The defining characteristic of a NUMA system is a coherent global memory and / or I/O address space that can be accessed by all of the processors. Hence, at least one node must have memory, at least one node must have I/O resources and at least one node must have processors. Other than the chipset, which must have components present on every node, each is implementation dependent. In the ACPI namespace, NUMA nodes are described as module devices. See Section 9.11, “Module Device”.

### 16.2 System Locality

A collection of components that are presented to OSPM as a Symmetrical Multi-Processing (SMP) unit belong to the same System Locality, also known as a Proximity Domain. The granularity of a System Locality is typically at the NUMA Node level although the granularity can also be at the sub-NUMA node level or the processor, memory and host bridge level. A System Locality is reported to the OSPM using the `_PXM` method. If OSPM only needs to know a near/far distinction among the System Localities, the `_PXM` method is sufficient.

OSPM makes no assumptions about the proximity or nearness of different proximity domains. The difference between two integers representing separate proximity domains does not imply distance between the proximity domains (in other words, proximity domain 1 is not assumed to be closer to proximity domain 0 than proximity domain 6).

#### 16.2.1 System Resource Affinity Table Definition

This optional System Resource Affinity Table (SRAT) provides the boot time description of the processor and memory ranges belonging to a system locality. OSPM will consume the SRAT only at boot time. OSPM should use `_PXM` for any devices that are hot-added into the system after boot up.

The SRAT describes the system locality that all processors and memory present in a system belong to at system boot. This includes memory that can be hot-added (that is memory that can be added to the system while it is running, without requiring a reboot). OSPM can use this information to optimize the performance of NUMA architecture systems. For example, OSPM could utilize this information to optimize allocation of memory resources and the scheduling of software threads.

## 16.3 System Locality Distance Information

Optionally, OSPM may further optimize a NUMA architecture system using information about the relative memory latency distances among the System Localities. This may be useful if the distance between multiple system localities is significantly different. In this case, a simple near/far distinction may be insufficient. This information is contained in the optional System Locality Information Table (SLIT) and is returned from the evaluation of the `_SLI` object.

The SLIT is a matrix that describes the relative distances between all System Localities. Support for the `_PXM` object is required for SLIT. The System Locality as returned by the `_PXM` object is used as the row and column indices of the matrix.

***Implementation Note:** The size of the SLIT table is determined by the largest `_PXM` value used in the system. Hence, to minimize the size of the SLIT table, the `_PXM` values assigned by the system firmware should be in the range  $0, \dots, N-1$ , where  $N$  is the number of System Localities. If `_PXM` values are not packed into this range, the SLIT will still work, but more memory will have to be allocated to store the “Entries” portion of the SLIT for the matrix.*

The static SLIT table provides the boot time description of the relative distances among all System Localities. For hot-added devices and dynamic reconfiguration of the system localities, the `_SLI` object must be used for runtime update.

The `_SLI` method is an optional object that provides the runtime update of the relative distances from the System Locality  $i$  to all other System Localities in the system. Since `_SLI` method is providing additional relative distance information among System Localities, if implemented, it is provided alongside with the `_PXM` method.

### 16.3.1.1 Online Hot Plug

In the case of online addition, the Bus Check notification (0x0) is performed on a device object to indicate to OSPM that it needs to perform the Plug and Play re-enumeration operation on the device tree starting from the point where it has been notified. OSPM needs to evaluate all `_PXM` objects associated with the added System Localities, or `_SLI` objects if the SLIT is present.

In the case of online deletion, OSPM needs to perform the Plug and Play ejection operation when it receives the Eject Request notification (0x03). OSPM needs to remove the relative distance information from its internal data structure for the removed System Localities.

### 16.3.1.2 Impact to Existing Localities

Dynamic reconfiguration of the system may cause the relative distance information (if the optional SLIT is present) to become stale. If this occurs, the System Locality Information Update notification may be generated by the platform to a device at a point on the device tree that represents a System Locality. This indicates to OSPM that it needs to invoke the `_SLI` objects associated with the System Localities on the device tree starting from the point where it has been notified.





## 17 ACPI Platform Error Interfaces (APEI)

This section describes the ACPI Platform Error Interfaces (APEI), which provide a means for the platform to convey error information to OSPM. APEI extends existing hardware error reporting mechanisms and brings them together as components of a coherent hardware error infrastructure. APEI takes advantage of the additional hardware error information available in today's hardware devices and integrates much more closely with the system firmware.

As a result, APEI provides the following benefits:

- Allows for more extensive error data to be made available in a standard error record format for determining the root cause of hardware errors.
- Is extensible, so that as hardware vendors add new and better hardware error reporting mechanisms to their devices, APEI allows the platform and the OSPM to gracefully accommodate the new mechanisms.

This provides information to help system designers understand basic issues about hardware errors, the relationship between the firmware and OSPM, and information about error handling and the APEI architecture components.

APEI consists of four separate tables:

1. Error Record Serialization Table (ERST)
2. BOOT Error Record Table (BERT)
3. Hardware Error Source Table (HEST)
4. Error Injection Table (EINJ)

### 17.1 Hardware Errors and Error Sources

A hardware error is a recorded event related to a malfunction of a hardware component in a computer platform. The hardware components contain error detection mechanisms that detect when a hardware error condition exists. Hardware errors can be classified as either corrected errors or uncorrected errors as follows:

- A corrected error is a hardware error condition that has been corrected by the hardware or by the firmware by the time the OSPM is notified about the existence of the error condition.
- An uncorrected error is a hardware error condition that cannot be corrected by the hardware or by the firmware. Uncorrected errors are either fatal or non-fatal.
  - A fatal hardware error is an uncorrected or uncontained error condition that is determined to be unrecoverable by the hardware. When a fatal uncorrected error occurs, the system is restarted to prevent propagation of the error.
  - A non-fatal hardware error is an uncorrected error condition from which OSPM can attempt recovery by trying to correct the error. These are also referred to as correctable or recoverable errors.

Central to APEI is the concept of a hardware error source. A hardware error source is any hardware unit that alerts OSPM to the presence of an error condition. Examples of hardware error sources include the following:

- Processor machine check exception (for example, MC#)
- Chipset error message signals (for example, SCI, SMI, SERR#, MCERR#)
- I/O bus error reporting (for example, PCI Express root port error interrupt)
- I/O device errors

A single hardware error source might handle aggregate error reporting for more than one type of hardware error condition. For example, a processor's machine check exception typically reports processor errors, cache and memory errors, and system bus errors.

A hardware error source is typically represented by the following:

- One or more hardware error status registers.
- One or more hardware error configuration or control registers.
- A signaling mechanism to alert OSPM to the existence of an error condition.

In some situations, there is not an explicit signaling mechanism and OSPM must poll the error status registers to test for an error condition. However, polling can only be used for corrected error conditions since uncorrected errors require immediate attention by OSPM.

## 17.2 Relationship between OSPM and System Firmware

Both OSPM and system firmware play important roles in hardware error handling. APEI improves the methods by which both of these can contribute to the task of hardware error handling in a complementary fashion. APEI allows the hardware platform vendor to determine whether the firmware or OSPM will own key hardware error resources. APEI also allows the firmware to pass control of hardware error resources to OSPM when appropriate.

## 17.3 Error Source Discovery

Platforms enumerate error sources to OSPM via a set of tables that describe the error sources. OSPM may also support non-ACPI enumerated error sources such as: Machine Check Exception, Corrected Machine Check, NMI, PCI Express AER, and on Itanium™ Processor Family (IPF) platforms the INIT error source. Non-ACPI error sources are not described by this specification.

During initialization, OSPM examines the tables and uses this information to establish the necessary error handlers that are responsible for processing error notifications from the platform.

### 17.3.1 Boot Error Source

Under normal circumstances, when a hardware error occurs, the error handler receives control and processes the error. This gives OSPM a chance to process the error condition, report it, and optionally attempt recovery. In some cases, the system is unable to process an error. For example, system firmware or a management controller may choose to reset the system or the system might experience an uncontrolled crash or reset.

The boot error source is used to report unhandled errors that occurred in a previous boot. This mechanism is described in the BERT table. The boot error source is reported as a 'one-time polled' type error source. OSPM queries the boot error source during boot for any existing boot error records. The platform will report the error condition to OSPM via a Common Platform Error Record (CPER) compliant error record. The CPER format is described in appendix N of the UEFI 2.1 specification.

The Boot Error Record Table (BERT) format is shown in Table 17-1.

**Table 17-1 Boot Error Record Table (BERT) Table**

Field	Byte length	Byte offset	Description
Header Signature	4	0	'BERT'. Signature for the Boot Error Record Table.
Length	4	4	Length, in bytes, of BERT.
Revision	1	8	1



Field	Byte length	Byte offset	Description
Checksum	1	9	Entire table must sum to zero.
OEMID	6	10	OEM ID.
OEM Table ID	8	16	The manufacturer model ID.
OEM Revision	4	24	OEM revision of the BERT for the supplied OEM table ID.
Creator ID	4	28	Vendor ID of the utility that created the table.
Creator Revision	4	32	Revision of the utility that created the table.
Boot Error Region Length	4	36	The length in bytes of the boot error region.
Boot Error Region	8	40	64-bit physical address of the Boot Error Region.

The Boot Error Region is a range of addressable memory OSPM can access during initialization to determine if an unhandled error condition occurred. System firmware must report this memory range as firmware reserved. The format of the Boot Error Region is shown in Table 17-2.

**Table 17-2 Boot Error Region**

Field	Byte length	Byte offset	Description
Block Status	4	0	Indicates the type of error information reported in the error packet: Bit 0 – Uncorrectable Error Valid: If set to one, indicates that an uncorrectable error condition exists. Bit 1 – Correctable Error Valid: If set to one, indicates that a correctable error condition exists. Bit 2 – Multiple Uncorrectable Errors: If set to one, indicates that more than one uncorrectable errors have been detected. Bit 3 – Multiple Correctable Errors: If set to one, indicates that more than one correctable errors have been detected. Bit 4–13 – Error Data Entry Count: This value indicates the number of Error Data Entries found in the <i>Data</i> section. Bit 14–31 – Reserved.
Raw Data Offset	4	4	Offset in bytes from the beginning of the Error Status Block to raw error data. The raw data must follow any <i>Generic Error Data Entries</i> .
Raw Data Length	4	8	Length in bytes of the raw data.
Data Length	4	12	Length in bytes of the generic error data.

Field	Byte length	Byte offset	Description
Error Severity	4	16	Identifies the error severity of the reported error: 0 – Correctable 1 – Fatal 2 – Corrected 3 – None  Note: This is the error severity of the entire event. Each Generic Error Data Entry also includes its own Error Severity field.
Generic Error Data	Data Length	20	The information contained in this field is a collection of zero or more Generic Error Data Entries.

One or more *Generic Error Data Entry* structures may be recorded in the *Generic Error Data Entries* field of the *Generic Error Status Block* structure. This allows the platform to accumulate information for multiple hardware components related to a given error event. For example, if the generic error source represents an error that occurs on a device on the secondary side of a PCI Express / PCI-X Bridge, it is useful to record error information from the PCI Express Bridge and from the PCI Express device. Utilizing two *Generic Error Data Entry* structures enables this. Table 17-13 defines the layout of a Generic Error Data Entry.

For details of some of the fields defined in Table 17-13, see Table 3 in section N2.2 of Appendix N of the UEFI 2.1 specification.

### 17.3.2 ACPI Error Source

The hardware error source describes a standardized mechanism platforms may use to describe their error sources. Use of this interface is the preferred way for platforms to describe their error sources as it is platform and processor-architecture independent and allows the platform to describe the operational parameters associated with error sources.

This mechanism allows for the platform to describe error sources in detail; communicating operational parameters (i.e. severity levels, masking bits, and threshold values) to OSPM as necessary. It also allows the platform to report error sources for which OSPM would typically not implement support (for example, chipset-specific error registers).

The Hardware Error Source Table provides the platform firmware a way to describe a system's hardware error sources to OSPM. The format of the Hardware Error Source Table is shown in Table 17-3.

**Table 17-3 Hardware Error Source Table (HEST)**

Field	Byte length	Byte offset	Description
Header Signature	4	0	“HEST”. Signature for the Hardware Error Source Table.
Length	4	4	Length, in bytes, of entire HEST. Entire table must be contiguous.
Revision	1	8	1
Checksum	1	9	Entire table must sum to zero.
OEMID	6	10	OEM ID.
OEM Table ID	8	16	The manufacturer model ID.

Field	Byte length	Byte offset	Description
OEM Revision	4	24	OEM revision of the HEST for the supplied OEM table ID.
Creator ID	4	28	Vendor ID of the utility that created the table.
Creator Revision	4	32	Revision of the utility that created the table.
Error Source Count	4	36	The number of error source descriptors.
Error Source Structure[n]	-	40	A series of Error Source Descriptor Entries.

The following sections detail each of the specific error source descriptors.

NOTE: Error source types 3, 4, and 5 are reserved for legacy reasons and must not be used.

### 17.3.2.1 IA-32 Architecture Machine Check Exception

Processors implementing the IA-32 Instruction Set Architecture employ a machine check exception mechanism to alert OSPM to the presence of an uncorrected hardware error condition. The information in this table is used by OSPM to configure the machine check exception mechanism for each processor in the system.

Only one entry of this type is permitted in the HEST. OSPM applies the information specified in this entry to all processors.

**Table 17-4 IA-32 Architecture Machine Check Exception Structure**

Field	Byte Length	Byte Offset	Description
Type	2	0	0 – IA-32 Architecture Machine Check Exception Structure.
Source Id	2	2	This value serves to uniquely identify this error source against other error sources reported by the platform.
Reserved	2	4	Reserved.
Flags	1	6	Bit 0 - FIRMWARE_FIRST: If set, this bit indicates to the OSPM that system firmware will handle errors from this source first. All other bits are reserved.
Enabled	1	7	Specifies whether MCE is to be enabled. If set to 1, this field indicates this error source is to be enabled. If set to 0, this field indicates that the error source is not to be enabled.
Number of Records To Pre-allocate	4	8	Indicates the number of error records to pre-allocate for this error source.
Max Sections Per Record	4	12	Indicates the maximum number of error sections included in an error record created as a result of an error reported by this error source.
Global Capability Init Data	8	16	Indicates the value to be written to the machine check global capability register.
Global Control Init	8	24	Indicates the value to be written to the machine check

Data			global control register.
Number Of Hardware Banks	1	32	Indicates the number of hardware error reporting banks.
Reserved	7	33	Reserved.
Machine Check Bank Structure[n]	-	40	A list of Machine Check Bank structures defined in section 17.3.2.1.1

### 17.3.2.1.1 IA-32 Architecture Machine Check Bank Structure

This table describes the attributes of a specific IA-32 architecture machine check hardware error bank.

**Table 17-5 IA-32 Architecture Machine Check Error Bank Structure**

Field	Byte Length	Byte Offset	Description
Bank Number	1	0	Zero-based index identifies the machine check error bank.
Clear Status On Initialization	1	1	If set, indicates the status information in this machine check bank is to be cleared during system initialization as follows: 0 – Clear 1 – Don't clear
Status Data Format	1	2	Identifies the format of the data in the status register: 0 – IA-32 MCA 1 – Intel® 64 MCA 2 – AMD64MCA All other values are reserved
Reserved	1	3	Reserved.
Control Register MSR Address	4	4	Address of the hardware bank's control MSR. Ignored if zero.
Control Init Data	8	8	This is the value the OSPM will program into the machine check bank's control register.
Status Register MSR Address	4	16	Address of the hardware bank's MCi_STAT MSR. Ignored if zero.
Address Register MSR Address	4	20	Address of the hardware bank's MCi_ADDR MSR. Ignored if zero.
Misc Register MSR Address	4	24	Address of the hardware bank's MCi_MISC MSR. Ignored if zero.

### 17.3.2.2 IA-32 Architecture Corrected Machine Check

Processors implementing the IA-32 Instruction Set Architecture may report corrected processor errors to OSPM. The information in this table allows platform firmware to communicate key parameters of the corrected processor error reporting mechanism to OSPM, including whether CMC processing should be enabled.

Only one entry of this type is permitted in the HEST. OSPM applies the information specified in this entry to all processors.

**Table 17-6 IA-32 Architecture Corrected Machine Check Structure**

Field	Byte Length	Byte Offset	Description
Type	2	0	1 – IA-32 Architecture Corrected Machine Check Structure.
Source Id	2	2	Uniquely identifies the error source.
Reserved	2	4	Reserved
Flags	1	6	Bit 0 - FIRMWARE_FIRST: If set, this bit indicates that system firmware will handle errors from this source first. All other bits must be set to zero.
Enabled	1	7	If the field value is 1, indicates this error source is to be enabled. If the field value is 0, indicates that the error source is not to be enabled.  If FIRMWARE_FIRST is set in the flags field, the Enabled field is ignored by OSPM.
Number of Records To Pre-allocate	4	8	Indicates the number of error records to pre-allocate for this error source. Must be $\geq 1$ .
Max Sections Per Record	4	12	Indicates the maximum number of error sections included in an error record created as a result of an error reported by this error source. Must be $\geq 1$ .
Notification Structure	28	16	Hardware Error Notification Structure as defined in Table 17-14.
Number Of Hardware Banks	1	44	The number of hardware error reporting banks.
Reserved	3	45	Reserved.
Machine Check Bank Structure[n]	-	48	A list of Machine Check Bank structures defined in section 17.3.2.1.1.

### 17.3.2.2.1 IA-32 Architecture Non-Maskable Interrupt

Uncorrected platform errors are typically reported using the Non-Maskable Interrupt (NMI) vector (for example, INT 2). This table allows platform firmware to communicate parameters regarding the configuration and handling of NMI error conditions.

Only one entry of this type is permitted in the HEST.

**Table 17-7 IA-32 Architecture NMI Error Structure**

Field	Byte Length	Byte Offset	Description
Type	2	0	2 – IA-32 Architecture NMI Structure.
Source Id	2	2	Uniquely identifies this error source.
Reserved	4	4	Must be zero.
Number of Records To Pre-allocate	4	8	Indicates number of error records to pre-allocate for this error source. Must be $\geq 1$ .

Field	Byte Length	Byte Offset	Description
Max Sections Per Record	4	12	Indicates maximum number of error sections included in an error record created as a result of an error reported by this error source. Must be $\geq 1$ .
Max Raw Data Length	4	16	The size in bytes of the NMI error data.

### 17.3.2.3 PCI Express Root Port AER Structure

PCI Express (PCIe) root ports may implement PCIe Advanced Error Reporting (AER) support. This table contains information platform firmware supplies to OSPM for configuring AER support on a given root port.

The HEST may contain one entry of this type for each PCI Express root port if none of the entries has the GLOBAL flag set. If the GLOBAL flag is set, there may only be one entry of this type and the information contained in that entry is applied to all PCIe root ports.

**Table 17-8 PCI Express Root Port AER Structure**

Field	Byte Length	Byte Offset	Description
Type	2	0	6 – AER Root Port.
Source Id	2	2	Uniquely identifies the error source.
Reserved	2	4	Reserved.
Flags	1	6	Bit 0 - FIRMWARE_FIRST: If set, this bit indicates to the OSPM that system firmware will handle errors from this source first.  All other bits must be set to zero.
Enabled	1	7	If the field value is 1, indicates this error source is to be enabled. If the field value is 0, indicates that the error source is not to be enabled.  If FIRMWARE_FIRST is set in the flags field, the Enabled field is ignored by the OSPM.
Number of Records To Pre-allocate	4	8	Indicates the number error records to pre-allocate for this error source. Must be $\geq 1$ .
Max Sections Per Record	4	12	Indicates the maximum number of error sections included in an error record created as a result of an error reported by this error source. Must be $\geq 1$ .
Bus	4	16	Identifies the PCI Bus of the root port.  If the GLOBAL flag is specified, this field is ignored.
Device	2	20	Identifies the PCI Device Number of the root port.  If the GLOBAL flag is specified, this field is ignored.
Function	2	22	Identifies the PCI Function number of the root port.  If the GLOBAL flag is specified, this field is ignored.

Field	Byte Length	Byte Offset	Description
Device Control	2	24	Device control bits with which to initialize the device.
Reserved	2	26	Must be zero.
Uncorrectable Error Mask	4	28	Value to write to the root port's Uncorrectable Error Mask register.
Uncorrectable Error Severity	4	32	Value to write to the root port's Uncorrectable Error Severity register.
Correctable Error Mask	4	36	Value to write to the root port's Correctable Error Mask register.
Advanced Error Capabilities and Control	4	40	Value to write to the root port's Advanced Error Capabilities and Control Register.
Root Error Command	4	44	Value to write to the root port's Root Error Command Register.

### 17.3.2.4 PCI Express Device AER Structure

PCI Express devices may implement AER support. This table contains information platform firmware supplies to OSPM for configuring AER support on a given PCI Express device.

The HEST may contain one entry of this type for each PCI Express endpoint device if none of the entries has the GLOBAL flag set. If the GLOBAL flag is set, there may only be one entry of this type and the information contained in that entry will be applied to all PCI Express endpoint devices.

**Table 17-9 PCI Express Device AER Structure**

Field	Byte Length	Byte Offset	Description
Type	2	0	7 – AER Endpoint.
Source Id	2	2	Uniquely identifies the error source.
Reserved	2	4	Reserved.
Flags	1	6	Bit 0 - FIRMWARE_FIRST: If set, indicates that system firmware will handle errors from this source first. Bit 1 – GLOBAL: If set, indicates that the settings contained in this structure apply globally to all PCI Express Devices. All other bits must be set to zero.
Enabled	1	7	If the field value is 1, indicates this error source is to be enabled. If the field value is 0, indicates that the error source is not to be enabled.  If FIRMWARE_FIRST is set in the flags field, the Enabled field is ignored by the OSPM.
Number of Records To Pre-allocate	4	8	Indicates the number of error records to pre-allocate for this error source. Must be $\geq 1$ .

Field	Byte Length	Byte Offset	Description
Max Sections Per Record	4	12	Indicates the maximum number of error sections included in an error record created as a result of an error reported by this error source. Must be $\geq 1$ .
Bus	4	16	Identifies the PCI Bus of the device. If the <i>GLOBAL</i> flag is specified, this field is ignored.
Device	2	20	Identifies the PCI Device Number of the device. If the <i>GLOBAL</i> flag is specified, this field is ignored.
Function	2	22	Identifies the PCI Function Number of the device. If the <i>GLOBAL</i> flag is specified, this field is ignored.
Device Control	2	24	Device control bits with which to initialize the device.
Reserved	2	26	Must be zero.
Uncorrectable Error Mask	4	28	Value to write to the root port's Uncorrectable Error Mask register.
Uncorrectable Error Severity	4	32	Value to write to the root port's Uncorrectable Error Severity register.
Correctable Error Mask	4	36	Value to write to the root port's Correctable Error Mask register.
Advanced Error Capabilities and Control	4	40	Value to write to the root port's Advanced Error Capabilities and Control Register.

### 17.3.2.5 PCI Express/PCI-X Bridge AER Structure

PCI Express/PCI-X bridges that implement AER support implement fields that control the behavior how errors are reported across the bridge.

The HEST may contain one entry of this type for each PCI Express/PCI-X bridges if none of the entries has the *GLOBAL* flag set. If the *GLOBAL* flag is set, there may only be one entry of this type and the information contained in that entry will be applied to all PCI Express/ PCI-X bridges.

**Table 17-10 PCI Express Bridge AER Structure**

Field	Byte Length	Byte Offset	Description
Type	2	0	8 – AER Bridge.
Source Id	2	2	Uniquely identifies the error source.
Reserved	2	4	Reserved.
Flags	1	6	Bit 0 - <i>FIRMWARE_FIRST</i> : If set, indicates that system firmware will handle errors from this source first. Bit 1 – <i>GLOBAL</i> : If set, indicates that the settings contained in this structure apply globally to all PCI Express Bridges. All other bits must be set to zero.



Field	Byte Length	Byte Offset	Description
Enabled	1	7	If the field value is 1, indicates this error source is to be enabled. If the field value is 0, indicates that the error source is not to be enabled.  If FIRMWARE_FIRST is set in the flags field, the Enabled field is ignored by the OSPM.
Number of Records To Pre-allocate	4	8	Indicates the number of error records to pre-allocate for this error source. Must be $\geq 1$ .
Max Sections Per Record	4	12	Indicates the maximum number of error sections included in an error record created as a result of an error reported by this error source. Must be $\geq 1$ .
Bus	4	16	Identifies the PCI Bus of the root port.  If the GLOBAL flag is specified, this field is ignored.
Device	2	20	Identifies the PCI device number of the bridge.  If the GLOBAL flag is specified, this field is ignored.
Function	2	22	Identifies the PCI function number of the bridge.  If the GLOBAL flag is specified, this field is ignored.
Device Control	2	24	Device control bits with which to initialize the device.
Reserved	2	26	This value must be zero.
Uncorrectable Error Mask	4	28	Value to write to the bridge's Uncorrectable Error Mask register.
Uncorrectable Error Severity	4	32	Value to write to the bridge's Uncorrectable Error Severity register.
Correctable Error Mask	4	36	Value to write to the bridge's Correctable Error Mask register.
Advanced Error Capabilities and Control	4	40	Value to write to the bridge's Advanced Error Capabilities and Control Register.
Secondary Uncorrectable Error Mask	4	44	Value to write to the bridge's secondary uncorrectable error mask register.
Secondary Uncorrectable Error Severity	4	48	Value to write to the bridge's secondary uncorrectable error severity register.
Secondary Advanced Capabilities and Control	4	52	Value to write to the bridge's secondary advanced capabilities and control register.

### 17.3.2.6 Generic Hardware Error Source

The platform may describe a generic hardware error source to OSPM using the Generic Hardware Error Source structure. A generic hardware error source is an error source that either notifies OSPM of the presence of an error using a non-standard notification mechanism or reports error information that is encoded in a non-standard format.

Using the information in a Generic Hardware Error Source structure, OSPM configures an error handler to read the error data from an error status block – a range of memory set aside by the platform for recording error status information.

As the generic hardware error source is non-standard, OSPM does not implement built-in support for configuration and control operations. The error source must be configured by system firmware during boot.

**Table 17-11 Generic Hardware Error Source Structure**

Field	Byte Length	Byte Offset	Description
Type	2	0	9 – Generic Hardware Error Source Structure.
Source Id	2	2	Uniquely identify the error source.
Related Source Id	2	4	If this generic error source represents an alternate source to a separate source that the platform has specified that it requires firmware-first handling (See section 17.4, "Firmware First Error Handling"), this field identifies the error source for which this error source is the alternate.  If this generic error source does not represent an alternate source, this field must be set to 0xFFFF.
Flags	1	6	Reserved.
Enabled	1	7	If the field value is 1, indicates this error source is to be enabled. If the field value is 0, indicates that the error source is not to be enabled.
Number of Records To Pre-allocate	4	8	Indicates the number of error records to pre-allocate for this error source. Must be $\geq 1$ .
Max Sections Per Record	4	12	Indicates the maximum number of error sections included in an error record created as a result of an error reported by this error source. Must be $\geq 1$ .
Max Raw Data Length	4	16	Indicates the size in bytes of the error data recorded by this error source.
Error Status Address	12	20	Generic Address Structure as defined in section 5.2.3.1 of the ACPI Specification.  This field specifies the location of a register that contains the physical address of a block of memory that holds the error status data for this error source. This range of memory must reside in firmware reserved memory. OSPM maps this range into system address space and reads the error status information from the mapped address.
Notification Structure	28	32	Hardware Error Notification Structure as defined in Table 17-14. This structure specifies how this error source notifies OSPM that an error has occurred.

Field	Byte Length	Byte Offset	Description
Error Status Block Length	4	60	Identifies the length in bytes of the error status data block.

The *Error Status Address* field specifies the location of an 8-byte memory-mapped register that holds the physical address of the error status block. This error status block must reside in a range of memory reported to OSPM as firmware reserved. OSPM maps the error status buffer into system address space in order to read the error data.

### 17.3.2.6.1 Generic Error Data

The *Error Status Block* contains the error status information for a given generic error source. OSPM provides an error handler that formats one or more of these blocks as necessary for the specific operating system.

The generic error status block includes two levels of information. The top level is a *Generic Error Status Block* structure and is defined in Table 17-12. Following the Generic Error Status Block structure are one or more *Generic Error Data Entry* structures, defined in Table 17-13.

**Table 17-12 Generic Error Status Block**

Field	Byte Length	Byte Offset	Description
Block Status	4	0	Indicates the type of error information reported in the error packet. Bit 0 - Uncorrectable Error Valid: If set to one, indicates that an uncorrectable error condition exists. Bit 1 - Correctable Error Valid: If set to one, indicates that a correctable error condition exists. Bit 2 - Multiple Uncorrectable Errors: If set to one, indicates that more than one uncorrectable errors have been detected. Bit 3 - Multiple Correctable Errors: If set to one, indicates that more than one correctable errors have been detected. Bit 4-13 - Error Data Entry Count: This value indicates the number of Error Data Entries found in the <i>Data</i> section. Bit 14-31 - Reserved
Raw Data Offset	4	4	Offset in bytes from the beginning of the Error Status Block to raw error data. The raw data must follow any <i>Generic Error Data Entries</i> .
Raw Data Length	4	8	Length in bytes of the raw data.
Data Length	4	12	Length in bytes of the generic error data.

Field	Byte Length	Byte Offset	Description
Error Severity	4	16	Identifies the error severity of the reported error: 0 – Recoverable 1 – Fatal 2 – Corrected 3 – None  Note: This is the error severity of the entire event. Each Generic Error Data Entry also includes its own Error Severity field.
Generic Error Data Entries	Data Length	20	The information contained in this field is a collection of zero or more Generic Error Data Entries (see table 17-13).

One or more *Generic Error Data Entry* structures may be recorded in the *Generic Error Data Entries* field of the *Generic Error Status Block* structure. This allows the platform to accumulate information for multiple hardware components related to a given error event. For example, if the generic error source represents an error that occurs on a device on the secondary side of a PCI Express / PCI-X Bridge, it is useful to record error information from the PCI Express Bridge and from the PCI-X device. Utilizing two *Generic Error Data Entry* structures enables this. Table 17-13 defines the layout of a Generic Error Data Entry.

For details of some of the fields defined in Table 17-13, see Table 3 in section N2.2 of Appendix N of the UEFI 2.1 specification.

**Table 17-13 Generic Error Data Entry**

Field	Byte Length	Byte Offset	Description
Section Type	16	0	Identifies the type of error data in this entry. See the <i>Section Type</i> field of the Section Descriptor in the UEFI 2.1 specification.
Error Severity	4	16	Identifies the severity of the reported error. 0 – Recoverable 1 – Fatal 2 – Corrected 3 – None
Revision	2	20	The revision number of the error data. The revision number is 0x0201. See the <i>Revision</i> field of the Section Descriptor in the UEFI 2.1 specification.
Validation Bits	1	22	Identifies whether certain fields are populated with valid data. See the <i>Validation Bits</i> field of the Section Descriptor in the UEFI 2.1 specification.
Flags	1	23	Flags describing the error data. See the <i>Flags</i> field of the Section Descriptor in the UEFI 2.1 specification.

Field	Byte Length	Byte Offset	Description
Error Data Length	4	24	Length in bytes of the generic error data. It is valid to have a <i>Data Length</i> of zero. This would be used for instance in firmware-first error handling where the platform reports errors to the OSPM using NMI.
FRU Id	16	28	Identifies the Field Replaceable Unit. See the <i>FRU Id</i> field of the Section Descriptor in the UEFI 2.1 specification.
FRU Text	20	44	Text field describing the Field Replaceable Unit. See the <i>FRU Text</i> field of the Section Descriptor in the UEFI 2.1 specification.
Data	Error Data Length	64	Generic error data. The information contained in this field must match one of the error record section types defined in Appendix N of the UEFI 2.1 specification.

### 17.3.2.6.2 SCI Notification For Generic Error Sources

SCI notification is recommended for corrected errors where latency in processing error reports is not critical to proper system operation. The implementation of SCI notification requires the platform to define a device with PNP ID PNP0C33 in the ACPI namespace, referred to as the error device. This device is used to notify the OSPM that a generic error source is reporting an error. Since multiple generic error sources can use SCI notification, it is the responsibility of the OSPM to scan the list of these generic error sources and check the block status field (Table 17-12) to identify the source that reported the error.

The SCI signaling follows the model described in section 5.6.4.1.1. The platform implements a general purpose event (GPE) for the error notification, and the GPE has an associated control method. This control method is required to execute a Notify on the error device (PNP0C33); the notification code used is 0x80.

An example of a control method for error notification is the following:

```
Method (\_GPE._L08) { // GPE 8 level error notification
    Notify (error_device, 0x80)
}
```

The overall flow when the platform uses the SCI notification is:

The platform enumerates the error source with SCI as the notification method using the format in table 17-11 and table 17-14

The platform surfaces an error device, PNP ID PNP0C33, to the OSPM

When the platform is ready to report an error, the platform populates the error status block including the block status field (table 17-12)

The platform signals the error using an SCI, on the appropriate GPE

The OSPM evaluates the GPE control method associated with this event as indicated on section 5.6.4.1.1; the platform is responsible for providing a control method that issues a NOTIFY(error\_device, 0x80) on the error device

OSPM responds to this notification by checking the error status block of all generic error sources with the SCI Generic notification type to identify the source reporting the error

### 17.3.2.7 Hardware Error Notification

This table describes the notification mechanism associated with a hardware error source.

**Table 17-14 Hardware Error Notification Structure**

Field	Byte Length	Byte Offset	Description
Type	1	0	Identifies the notification type: 0 – Polled 1 – External Interrupt 2 – Local Interrupt 3 – SCI 4 – NMI All other values are reserved
Length	1	1	Total length of the structure in bytes.
Configuration Write Enable	2	2	This field indicates whether configuration parameters may be modified by OSPM. If the bit for the associated parameter is set, the parameter is writeable by OSPM: Bit 0: Type Bit 1: Poll Interval Bit 2: Switch To Polling Threshold Value Bit 3: Switch To Polling Threshold Window Bit 4: Error Threshold Value Bit 5: Error Threshold Window All other bits are reserved.
Poll Interval	4	4	Indicates the poll interval in milliseconds OSPM should use to periodically check the error source for the presence of an error condition.
Vector	4	8	Interrupt vector.
Switch To Polling Threshold Value	4	12	The number of error interrupts that must occur within <i>Switch To Polling Threshold Interval</i> before OSPM switches the error source to polled mode.
Switch To Polling Threshold Window	4	16	Indicates the time interval in milliseconds that <i>Switch To Polling Threshold Value</i> interrupts must occur within before OSPM switches the error source to polled mode.
Error Threshold Value	4	20	Indicates the number of error events that must occur within <i>Error Threshold Interval</i> before OSPM processes the event as an error condition.
Error Threshold Window	4	24	Indicates the time interval in milliseconds that <i>Error Threshold Value</i> errors must occur within before OSPM processes the event as an error condition.

## 17.4 Firmware First Error Handling

It may be necessary for the platform to process certain classes of errors in firmware before relinquishing control to OSPM for further error handling. Errata management and error containment are two examples where firmware-first error handling is beneficial. Generic hardware error sources support this model through the related source ID.

The platform reports the original error source to OSPM via the hardware error source table (HEST) and sets the FIRMWAREFIRST flag for this error source. In addition, the platform must report a generic error source with a related source ID set to the original source ID. This generic error source is used to notify OSPM of the errors on the original source and their status after the firmware first handling.

There are different notification strategies that can be used in firmware first handling; the following options are available to the platform:

1. The platform may use NMI to notify the OSPM of both corrected and uncorrected errors for a given error source
2. The platform may use NMI to report uncorrected errors and the SCI to report corrected errors
3. The platform may use NMI to report uncorrected errors and polling to notify the OSPM of corrected errors

### 17.4.1 Example: Firmware First Handling Using NMI Notification

If the platform chooses to use NMI to report errors, which is the recommended method for uncorrected errors, the platform follows these steps:

1. System firmware configures the platform to trigger a firmware handler when the error occurs
2. System firmware identifies the error source for which it will handle errors via the error source enumeration interface by setting the FIRMWARE\_FIRST flag
3. System firmware describes the generic error source, and the associated error status block, as described in section 17.3.2.6. System firmware identifies the relation between the generic error source and the original error source by using the original source ID in the related source ID of table 17-11.
4. When a hardware error reported by the error source occurs, system firmware gains control and handles the error condition as required. Upon completion system firmware should do the following:
  - a. Extract the error information from the error source and fill in the error information in the data block of the generic error source it identified as an alternate in step 3. The error information format follows the specification in section 17.3.2.6.1
  - b. Set the appropriate bit in the block status field (table 17-12) to indicate to the OSPM that a valid error condition is present.
  - c. Clears error state from the hardware.
  - d. Generates an NMI.

At this point, the OSPM NMI handler scans the list of generic error sources to find the error source that reported the error and processes the error report

## 17.5 Error Serialization

The error record serialization feature is used to save and retrieve hardware error information to and from a persistent store. OSPM interacts with the platform through a platform interface. On UEFI-based platforms, the UEFI runtime variable services can be used to carry out error record persistence operations. On non-UEFI based platforms, the ACPI solution described below is used.

For error persistence across boots, the platform must implement some form of non-volatile store to save error records. The amount of space required depends on the platform's processor architecture. Typically, this store will be flash memory or some other form of non-volatile RAM.

Serialized errors are encoded according to the Common Platform Error Record (CPER) format, which is described in appendix N of the UEFI 2.1 specification. These entries are referred to as *error records*.

The Error Record Serialization Interface is designed to be sufficiently abstract to allow hardware vendors flexibility in how they implement their error record serialization hardware. The platform provides details necessary to communicate with its serialization hardware by populating the ERST with a set of Serialization Instruction Entries. One or more serialization instruction entries comprise a Serialization Action. OSPM carries out serialization operations by executing a series of Serialization Actions. Serialization Actions and Serialization Instructions are described in detail in the following sections.

Table 17-15 details the layout of the ERST which system firmware is responsible for building.

**Table 17-15 Error Record Serialization Table (ERST)**

Field	Byte length	Byte offset	Description
<i>ACPI Standard Header</i>			
Header Signature	4	0x0	"ERST". Signature for the Error Record Serialization Table.
Length	4	0x4	Length, in bytes, of entire ERST. Entire table must be contiguous.
Revision	1	0x8	1
Checksum	1	0x9	Entire table must sum to zero.
OEMID	6	0xA	OEM ID.
OEM Table ID	8	0x10	The manufacturer model ID.
OEM Revision	4	0x18	OEM revision of the ERST for the supplied OEM table ID.
Creator ID	4	0x1C	Vendor ID of the utility that created the table.
Creator Revision	4	0x20	Revision of the utility that created the table.
<i>Serialization Header</i>			
Serialization Header Size	4	0x24	Length in bytes of the serialization header.
Reserved	4	0x28	Must be zero.
Instruction Entry Count	4	0x2c	The number of Serialization Instruction Entries in the Serialization Action Table.
<i>Serialization Action Table</i>			
Serialization Instruction Entries		0x30	A series of error logging instruction entries.

### 17.5.1 Serialization Action Table

A Serialization Action is defined as a series of Serialization Instructions on registers that result in a well known action. A Serialization Instruction is a Serialization Action primitive and consists of either reading or writing an abstracted hardware register. The Serialization Action Table contains Serialization Instruction Entries for all the Serialization Actions the platform supports.



In most cases, a Serialization Action comprises only one Serialization Instruction, but it is conceivable that a more complex device will require more than one Serialization Instruction. When an action does comprise more than one instruction, the instructions must be listed consecutively and they will consequently be performed sequentially, according to their placement in the Serialization Action Table.

### 17.5.1.1 Serialization Actions

This section identifies the Serialization Actions that comprise the Error Record Serialization interface. Table 17-16 identifies the supported error record Serialization Actions.

**Table 17-16 Error Record Serialization Actions**

Value	Name	Description
0x0	BEGIN_WRITE_OPERATION	Indicates to the platform that an error record write operation is beginning. This allows the platform to set its operational context.
0x1	BEGIN_READ_OPERATION	Indicates to the platform that an error record read operation is beginning. This allows the platform to set its operational context.
0x2	BEGIN_CLEAR_OPERATION	Indicates to the platform that an error record clear operation is beginning. This allows the platform to set its operation context.
0x3	END_OPERATION	Indicates to the platform that the current error record operation has ended. This allows the platform to clear its operational context.
0x4	SET_RECORD_OFFSET	Sets the offset from the base of the <i>Error Log Address Range</i> to or from which the platform is to transfer an error record.
0x5	EXECUTE_OPERATION	Instructs the platform to carry out the current operation based on the current operational context.
0x6	CHECK_BUSY_STATUS	Returns the state of the current operation. Once an operation has been executed through the EXECUTE_OPERATION action, the platform is required to return an indication that the operation is in progress until the operation completes. This allows the OS to poll for completion by repeatedly executing the CHECK_BUSY_STATUS action until the platform indicates that the operation not busy.
0x7	GET_COMMAND_STATUS	Returns the status of the current operation. The platform is expected to maintain a status code for each operation. See Table 17-17 for a list of valid command status codes.
0x8	GET_RECORD_IDENTIFIER	Returns the record identifier of an existing error record on the persistent store. The error record identifier is a 64-bit unsigned value as defined in Appendix N of version 2.1 of the UEFI specification. If the record store is empty, this action must return 0xFFFFFFFFFFFFFFFF.
0x9	SET_RECORD_IDENTIFIER	Sets the record identifier. The error record identifier is a 64-bit unsigned value as defined in Appendix N of version 2.1 of the UEFI specification.
0xA	GET_RECORD_COUNT	Retrieves the number of error records currently stored on the platforms persistent store. The platform is expected to maintain a count of the number of error records resident in its persistent store.

Value	Name	Description
0xB	BEGIN_DUMMY_WRITE_OPERATION	Indicates to the platform that a dummy error record write operation is beginning. This allows the platform to set its operational context. A dummy error record write operation performs no actual transfer of information from the <i>Error Log Address Range</i> to the persistent store.
0xC	RESERVED	Reserved.
0xD	GET_ERROR_LOG_ADDRESS_RANGE	Returns the 64-bit physical address OSPM uses as the buffer for reading/writing error records.
0xE	GET_ERROR_LOG_ADDRESS_RANGE_LENGTH	Returns the length in bytes of the Error Log Address Range
0xF	GET_ERROR_LOG_ADDRESS_RANGE_ATTRIBUTES	Returns attributes that describe the behavior of the error log address range. Bit 0 (0x1) – Reserved. Bit 1 (0x2) – Non-Volatile: Indicates that the error log address range is in non-volatile RAM. Bit 2 (0x4) – Slow: Indicates that the memory in which the error log address range is located has slow access times. All other bits reserved.

Table 17-17 below defines the serialization action status codes returned from GET\_COMMAND\_STATUS.

**Table 17-17 Command Status Definition**

Value	Description
0x00	Success
0x01	Not Enough Space
0x02	Hardware Not Available
0x03	Failed
0x04	Record Store Empty
0x05	Record Not Found

### 17.5.1.2 Serialization Instruction Entries

Each Serialization Action consists of a series of one or more Serialization Instructions. A Serialization Instruction represents a primitive operation on an abstracted hardware register represented by the register region as defined in a Serialization Instruction Entry.

A Serialization Instruction Entry describes a region in a serialization hardware register and the serialization instruction to be performed on that region. Table 17-18 details the layout of a Serialization Instruction Entry.

**Table 17-18 Serialization Instruction Entry**

Field	Byte Length	Byte Offset	Description
Serialization Action	1	N	The serialization action that this serialization instruction is a part of.
Instruction	1	N+0x1	Identifies the instruction to execute. See Table 17-19 for a list of valid instructions.
Flags	1	N+0x2	Flags that qualify the instruction.
Reserved	1	N+0x3	
Register Region	12	N+0x4	Generic address structure as defined in section 5.2.3.1 specification to describe the address and bit.
Value	8	N+0x10	Value used with READ_REGISTER_VALUE and WRITE_REGISTER_VALUE instructions.
Mask	8	N+0x18	The bit mask required to obtain the bits corresponding to the serialization instruction in a given bit range defined by the register region.

Register region is described as a generic address structure. This structure describes the physical address of a register as well as the bit range that corresponds to a desired region of the register. The bit range is defined as the smallest set of consecutive bits that contains every bit in the register that is associated with the Serialization Instruction. If bits [6:5] and bits [3:2] all correspond to a Serialization Instruction, the bit range for that instruction would be [6:2].

Because a bit range could contain bits that do not pertain to a particular Serialization Instruction (i.e. bit 4 in the example above), a bit mask is required to distinguish all the bits in the region that correspond to the instruction. The Mask field is defined to be this bit mask with a bit set to '1' for each bit in the bit range (defined by the register region) corresponding to the Serialization Instruction. Note that bit 0 of the bit mask corresponds to the lowest bit in the bit range. In the example used above, the mask would be 11011b or 0x1B.

The Instruction field identifies the operation to be performed on the register region by the instruction entry. Table 17-19 identifies the instructions that are supported.

**Table 17-19 Serialization Instructions**

Value	Name	Description
0x00	READ_REGISTER	A READ_REGISTER instruction reads the designated information from the specified Register Region.
0x01	READ_REGISTER_VALUE	A READ_REGISTER_VALUE instruction reads the designated information from the specified Register Region and compares the results with the contents of the Value field. If the information read matches the contents of the Value field, TRUE is returned, else FALSE is returned.
0x02	WRITE_REGISTER	A WRITE_REGISTER instruction writes a value to the specified Register Region. The Value field is ignored.
0x03	WRITE_REGISTER_VALUE	A WRITE_REGISTER_VALUE instruction writes the contents of the Value field to the specified Register Region.
0x04	NOOP	This instruction is a NOOP.

Value	Name	Description
0x05	LOAD_VAR1	Loads the VAR1 variable from the register region.
0x06	LOAD_VAR2	Loads the VAR2 variable from the register region.
0x07	STORE_VAR1	Stores the value in VAR1 to the indicate register region.
0x08	ADD	Adds VAR1 and VAR2 and stores the result in VAR1.
0x09	SUBTRACT	Subtracts VAR1 from VAR2 and stores the result in VAR1.
0x0A	ADD_VALUE	Adds the contents of the specified register region to Value and stores the result in the register region.
0x0B	SUBTRACT_VALUE	Subtracts Value from the contents of the specified register region and stores the result in the register region.
0x0C	STALL	Stall for the number of microseconds specified in Value.
0x0D	STALL_WHILE_TRUE	OSPM continually compares the contents of the specified register region to Value until the values are not equal. OSPM stalls between each successive comparison. The amount of time to stall is specified by VAR1 and is expressed in microseconds.
0x0E	SKIP_NEXT_INSTRUCTION_IF_TRUE	This is a control instruction which compares the contents of the register region with Value. If the values match, OSPM skips the next instruction in the sequence for the current action.
0x0F	GOTO	OSPM will go to the instruction specified by Value. The instruction is specified as the zero-based index. Each instruction for a given action has an index based on its relative position in the array of instructions for the action.
0x10	SET_SRC_ADDRESS_BASE	Sets the SRC_BASE variable used by the MOVE_DATA instruction to the contents of the register region.
0x11	SET_DST_ADDRESS_BASE	Sets the DST_BASE variable used by the MOVE_DATA instruction to the contents of the register region.
0x12	MOVE_DATA	Moves VAR2 bytes of data from SRC_BASE + Offset to DST_BASE + Offset, where Offset is the contents of the register region.

The Flags field allows qualifying flags to be associated with the instruction. Table 17-20 identifies the flags that can be associated with Serialization Instructions.

**Table 17-20 Instruction Flags**

Value	Name	Description
0x01	PRESERVE_REGISTER	For WRITE_REGISTER and WRITE_REGISTER_VALUE instructions, this flag indicates that bits within the register that are not being written must be preserved rather than destroyed.  For READ_REGISTER instructions, this flag is ignored.

**READ\_REGISTER\_VALUE:** A read register value instruction reads the register region and compares the result with the specified value. If the values are not equal, the instruction failed. This can be described in pseudo code as follows:

```
X = Read(register)
X = X >> Bit Offset described in Register Region
X = X & Mask
If (X != Value) FAIL
SUCCEED
```

**READ\_REGISTER:** A read register instruction reads the register region. The result is a generic value and should not be compared with Value. Value will be ignored. This can be described in pseudo code as follows:

```
X = Read(register)
X = X >> Bit Offset described in Register Region
X = X & Mask
Return X
```

**WRITE\_REGISTER\_VALUE:** A write register value instruction writes the specified value to the register region. If **PRESERVE\_REGISTER** is set in Instruction Flags, then the bits not corresponding to the write value instruction are preserved. If the register is preserved, the write value instruction requires a read of the register. This can be described in pseudo code as follows:

```
X = Value & Mask
X = X << Bit Offset described in Register Region
If (Preserve Register)
    Y = Read(register)
    Y = Y & ~(Mask << Bit Offset)
    X = X | Y
Write(X, Register)
```

**WRITE\_REGISTER:** A write register instruction writes a value to the register region. Value will be ignored. If **PRESERVE\_REGISTER** is set in Instruction Flags, then the bits not corresponding to the write instruction are preserved. If the register is preserved, the write value instruction requires a read of the register. This can be described in pseudo code as follows:

```
X = supplied value
X = X & Mask
X = X << Bit Offset described in Register Region
If (Preserve Register)
    Y = Read(register)
    Y = Y & ~(Mask << Bit Offset)
    X = X | Y
Write(X, Register)
```

### 17.5.1.3 Error Record Serialization Information

The APEI error record includes an 8 byte field called OSPM Reserved. Table 17-21 defines the layout of this field. The error record serialization information is a small buffer the platform can use for serialization bookkeeping. The platform is free to use the 48 bits starting at bit offset 16 for its own purposes. It may use these bits to indicate the busy/free status of an error record, to record an internal identifier, etc.

**Table 17-21 Error Record Serialization Info**

Field	Bit Length	Bit Offset	Description
Signature	16	0	16-bit signature ('ER') identifying the start of the error record serialization data.
Platform Serialization Data	48	16	Platform private error record serialization information.

## 17.5.2 Operations

The error record serialization interface comprises three operations: Write, Read, and Clear. OSPM uses the Write operation to write a single error record to the persistent store. The Read operation is used to retrieve a single error record previously recorded to the persistent store using the write operation. The Clear operation allows OSPM to notify the platform that a given error record has been fully processed and is no longer needed, allowing the platform to recover the storage associated with a cleared error record.

Where the *Error Log Address Range* is NVRAM, significant optimizations are possible since transfer from the *Error Log Address Range* to a separate storage device is unnecessary. The platform may still, however, copy the record from NVRAM to another device, should it choose to. This allows, for example, the platform to copy error records to private log files. In order to give the platform the opportunity to do this, OSPM must use the Write operation to persist error records even when the *Error Log Address Range* is NVRAM. The Read and Clear operations, however, are unnecessary in this case as OSPM is capable of reading and clearing error records without assistance from the platform.

### 17.5.2.1 Writing

To write a single HW error record, OSPM executes the following steps:

1. Initializes the error record's serialization info. OSPM must fill in the *Signature*.
2. Writes the error record to be persisted into the *Error Log Address Range*.
3. Executes the BEGIN\_WRITE\_OPERATION action to notify the platform that a record write operation is beginning.
4. Executes the SET\_RECORD\_OFFSET action to inform the platform where in the *Error Log Address Range* the error record resides.
5. Executes the EXECUTE\_OPERATION action to instruct the platform to begin the write operation.
6. Busy waits by continually executing CHECK\_BUSY\_STATUS action until FALSE is returned.
7. Executes a GET\_COMMAND\_STATUS action to determine the status of the write operation. If an error is indicated, the OSPM may retry the operation.
8. Executes an END\_OPERATION action to notify the platform that the record write operation is complete.

When OSPM performs the EXECUTE\_OPERATION action in the context of a record write operation, the platform attempts to transfer the error record from the designated offset in the *Error Log Address Range* to a persistent store of its choice. If the *Error Log Address Range* is non-volatile RAM, no transfer is required.

Where the platform is required to transfer the error record from the *Error Log Address Range* to a persistent store, it performs the following steps in response to receiving a write command:

1. Sets some internal state to indicate that it is busy. OSPM polls by executing a CHECK\_BUSY\_STATUS action until the operation is completed.

2. Reads the error record's *Record ID* field to determine where on the storage medium the supplied error record is to be written. The platform attempts to locate the specified error record on the persistent store.
  - a. If the specified error record does not exist, the platform attempts to write a new record to the persistent store.
  - b. If the specified error record does exist, then if the existing error record is large enough to be overwritten by the supplied error record, the platform can do an in-place replacement. If the existing record is not large enough to be overwritten, the platform must attempt to locate space in which to write the new record. It may mark the existing record as Free and coalesce adjacent free records in order to create the necessary space.
3. Transfers the error record to the selected location on the persistent store.
4. Updates an internal *Record Count* if a new record was written.
5. Records the status of the operation so OSPM can retrieve the status by executing a GET\_COMMAND\_STATUS action.
6. Modifies internal busy state as necessary so when OSPM executes CHECK\_BUSY\_STATUS, the result indicates that the operation is complete.

If the *Error Log Address Range* resides in NVRAM, the minimum steps required of the platform are:

1. Sets some internal state to indication that it is busy. OSPM polls by executing a CHECK\_BUSY\_STATUS action until the operation is completed.
2. Records the status of the operation so OSPM can retrieve the status by executing a GET\_COMMAND\_STATUS action.
3. Clear internal busy state so when OSPM executes CHECK\_BUSY\_STATUS, the result indicates that the operation is complete.

### 17.5.2.2 Reading

During boot, OSPM attempts to retrieve all serialized error records from the persistent store. If the *Error Log Address Range* does not reside in NVRAM, the following steps are executed by OSPM to retrieve all error records:

1. Executes the BEGIN\_READ\_OPERATION action to notify the platform that a record read operation is beginning.
2. Executes the SET\_RECORD\_OFFSET action to inform the platform at what offset in the *Error Log Address Range* the error record is to be transferred.
3. Executes the SET\_RECORD\_IDENTIFIER action to inform the platform which error record is to be read from its persistent store.
4. Executes the EXECUTE\_OPERATION action to instruct the platform to begin the read operation.
5. Busy waits by continually executing CHECK\_BUSY\_STATUS action until FALSE is returned.
6. Executes a GET\_COMMAND\_STATUS action to determine the status of the read operation.
  - a. If the status is *Record Store Empty (0x04)*, continue to step 7.
  - b. If an error occurred reading a valid error record, the status will be *Failed (0x03)*, continue to step 7.
  - c. If the status is *Record Not Found (0x05)*, indicating that the specified error record does not exist, OSPM retrieves a valid identifier by executing a GET\_RECORD\_IDENTIFIER action. The platform will return a valid record identifier.

- d. If the status is *Success*, OSPM transfers the retrieved record from the *Error Log Address Range* to a private buffer and then executes the `GET_RECORD_IDENTIFIER` action to determine the identifier of the next record in the persistent store.
7. Execute an `END_OPERATION` to notify the platform that the record read operation is complete.

The steps performed by the platform to carry out a read request are as follows:

1. Sets some internal state to indicate that it is busy. OSPM polls by executing a `CHECK_BUSY_STATUS` action until the operation is completed.
2. Using the record identifier supplied by OSPM through the `SET_RECORD_IDENTIFIER` operation, determine which error record to read:
  - a. If the identifier is 0x0 (unspecified), the platform reads the ‘first’ error record from its persistent store. First, in this is implementation specific.
  - b. If the identifier is non-zero, the platform attempts to locate the specified error record on the persistent store.
  - c. If the specified error record does not exist, set the status register’s *Status* to *Record Not Found* (0x05), and update the status register’s *Identifier* field with the identifier of the ‘first’ error record.
3. Transfer the record from the persistent store to the offset specified by OSPM from the base of the *Error Log Address Range*.
4. Record the *Identifier* of the ‘next’ valid error record that resides on the persistent store. This allows OSPM to retrieve a valid record identifier by executing a `GET_RECORD_IDENTIFIER` operation.
5. Record the status of the operation so OSPM can retrieve the status by executing a `GET_COMMAND_STATUS` action.
6. Clear internal busy state so when OSPM executes `CHECK_BUSY_STATUS`, the result indicates that the operation is complete.

Where the *Error Log Address Range* does reside in NVRAM, OSPM requires no platform support to read persisted error records. OSPM can scan the *Error Log Address Range* on its own and retrieve the error records it previously persisted.

### 17.5.2.3 Clearing

After OSPM has finished processing an error record, it will notify the platform by clearing the record. This allows the platform to delete the record from the persistent store or mark it such that the space is free and can be reused. The following steps are executed by OSPM to clear an error record:

1. Executes a `BEGIN_CLEAR_OPERATION` action to notify the platform that a record clear operation is beginning.
2. Executes a `SET_RECORD_IDENTIFIER` action to inform the platform which error record is to be cleared. This value must not be set to 0x0 (unspecified).
3. Executes an `EXECUTE_OPERATION` action to instruct the platform to begin the clear operation.
4. Busy waits by continually executing `CHECK_BUSY_STATUS` action until `FALSE` is returned.
5. Executes a `GET_COMMAND_STATUS` action to determine the status of the clear operation.
6. Execute an `END_OPERATION` to notify the platform that the record read operation is complete.



The platform carries out a clear request by performing the following steps:

1. Sets some internal state to indication that it is busy. OSPM polls by executing a CHECK\_BUSY\_STATUS action until the operation is completed.
2. Using the record identifier supplied by OSPM through the SET\_RECORD\_IDENTIFIER operation, determine which error record to clear. This value may not be 0x0 (unspecified).
3. Locate the specified error record on the persistent store.
4. Mark the record as free by updating the Attributes in its serialization header.
5. Update internal record count.
6. Clear internal busy state so when OSPM executes CHECK\_BUSY\_STATUS, the result indicates that the operation is complete.

When the *Error Log Address Range* resides in NVRAM, the OS requires no platform support to Clear error records.

### 17.5.2.4 Usage

This section describes several possible ways the error record serialization mechanism might be implemented.

#### 17.5.2.4.1 Error Log Address Range Resides in NVRAM

If the *Error Log Address Range* resides in NVRAM, then when OSPM writes a record into the logging range, the record is automatically persistent and the busy bit can be cleared immediately. On a subsequent boot, OSPM can read any persisted error records directly from the persistent store range. The size of the persistent store, in this case, is expected to be enough for several error records.

#### 17.5.2.4.2 Error Log Address Range Resides in (volatile) RAM

In this implementation, the *Error Log Address Range* describes an intermediate location for error records. To persist a record, OSPM copies the record into the *Error Log Address Range* and sets the *Execute*, at which time the platform runs necessary code (SMM code on non-UEFI based systems and UEFI runtime code on UEFI-enabled systems) to transfer the error record from main memory to some persistent store. To read a record, OSPM asks the platform to copy a record from the persistent store to a specified offset within the *Error Log Address Range*. The size of the *Error Log Address Range* is at least large enough for one error record.

#### 17.5.2.4.3 Error Log Address Range Resides on Service Processor

In this type of implementation, the *Error Log Address Range* is really MMIO. When OSPM writes an error record to the *Error Log Address Range*, it is really writing to memory on a service processor. When the OSPM sets the *Execute* control bit, the platform knows that the OSPM is done writing the record and can do something with it, like move it into a permanent location (i.e. hard disk) on the service processor. The size of the persistent store in this type of implementation is typically large enough for one error record.

#### 17.5.2.4.4 Error Log Address Range is Copied Across Network

In this type of implementation, the *Error Log Address Range* is an intermediate cache for error records. To persist an error record, OSPM copies the record into the *Error Log Address Range* and set the *Execute* control bit, and the platform runs code to transmit this error record over the wire. The size of the *Error Log Address Range* in this type of implementation is typically large enough for one error record.

## 17.6 Error Injection

This section outlines an ACPI table mechanism, called EINJ, which allows for a generic interface mechanism through which OSPM can inject hardware errors to the platform without requiring platform specific OSPM level software. The primary goal of this mechanism is to support testing of OSPM error handling stack by enabling the injection of hardware errors. Through this capability OSPM is able to implement a simple interface for diagnostic and validation of errors handling on the system.

### 17.6.1 Error Injection Table (EINJ)

The Error Injection Table provides a generic interface mechanism through which OSPM can inject hardware errors to the platform without requiring platform specific OSPM software. System firmware is responsible for building this table, which is made up of Injection Instruction entries. Table 17-22 details the layout of the table.

**Table 17-22 Error Injection Table (EINJ)**

Field	Byte length	Byte offset	Description
<b><i>ACPI Standard Header</i></b>			
Header Signature	4	0x0	EINJ. Signature for the Error Record Injection Table.
Length	4	0x4	Length, in bytes, of entire EINJ. Entire table must be contiguous.
Revision	1	0x8	1
Checksum	1	0x9	Entire table must sum to zero.
OEMID	6	0xA	OEM ID.
OEM Table ID	8	0x10	The manufacturer model ID.
OEM Revision	4	0x18	OEM revision of EINJ.
Creator ID	4	0x1C	Vendor ID of the utility that created the table.
Creator Revision	4	0x20	Revision of the utility that created the table.
<b><i>Injection Header</i></b>			
Injection Header Size	4	0x24	Length in bytes of the Injection Interface header.
Injection Flags	1	0x28	Reserved.
Reserved	3	0x29	Reserved.
Injection Entry Count	4	0x2c	The number of Instruction Entries in the Injection Action Table
<b><i>Injection Action Table</i></b>			
Injection Instruction Entries		0x30	A series of error injection instruction entries

Table 17-23 identifies the supported error injection actions.

**Table 17-23 Error Injection Actions**

Value	Name	Description
0x0	BEGIN_INJECTION_OPERATION	Indicates to the platform that an error injection is beginning. This allows the platform to set its operational context.
0x1	GET_TRIGGER_ERROR_ACTION_TABLE	Returns a 64-bit physical memory pointer to the TRIGGER_ERROR action table.  The TRIGGER_ERROR action instructions when executed by software trigger the error that was injected by the immediately prior SET_ERROR_TYPE action.
0x2	SET_ERROR_TYPE	Type of error to Inject. Only one ERROR_TYPE can be injected at any given time. If there is request for multiple injections at the same time, then the platform will return an error condition.
0x3	GET_ERROR_TYPE	Returns the error injection capabilities of the platform.
0x4	END_OPERATION	Indicates to the platform that the current injection operation has ended. This allows the platform to clear its operational context.
0x5	EXECUTE_OPERATION	Instructs the platform to carry out the current operation based on the current operational context.
0x6	CHECK_BUSY_STATUS	Returns the state of the current operation.  Once an operation has been executed through the EXECUTE_OPERATION action, the platform is required to return an indication that the operation is busy until the operation is completed. This allows software to poll for completion by repeatedly executing the CHECK_BUSY_STATUS action until the platform indicates that the operation is complete by setting not busy.  The lower most bit (bit0) of the returned value indicates the busy status by setting it to 1 and not busy status by setting it to 0.
0x7	GET_COMMAND_STATUS	Returns the status of the current operation.  The platform is expected to maintain a status code for each operation. Bits 1:8 of the returned value indicate the command status. See Table 17-27 for a list of valid command status codes.
0xFF	TRIGGER_ERROR	This is not a true error injection action. In response to error injection, the platform returns a trigger error action table.  This table consists of a series of injection instruction entries where the injection action is set to TRIGGER_ERROR to distinguish such entries.

## 17.6.2 Injection Instruction Entries

An Injection action consists of a series of one or more Injection Instructions. An Injection Instruction represents a primitive operation on an abstracted hardware register, represented by the register region as defined in an Injection Instruction Entry.

An Injection Instruction Entry describes a region in an injection hardware register and the injection instruction to be performed on that region.

Table 17-24 details the layout of an Injection Instruction Entry.

**Table 17-24 Injection Instruction Entry**

Field	Byte length	Byte offset	Description
Injection Action	1	N	The injection action that this instruction is a part of. See Table 17-23 for supported injection actions.
Instruction	1	N+0x1	Identifies the instruction to execute. See Table 17-26 for a list of valid instructions.
Flags	1	N+0x2	Flags that qualify the instruction.
Reserved	1	N+0x3	
Register Region	12	N+0x4	Generic address structure as defined in section 5.2.3.1 to describe the address and bit.  Address_Space_ID must be 0 (System Memory) or 1 (System IO). This constraint is an attempt to ensure that the registers are accessible in the presence of hardware error conditions.
Value	8	N+0x10	This is the value field that is used by the instruction READ or WRITE_REGISTER_VALUE.
Mask	8	N+0x18	The bit mask required to obtain the bits corresponding to the injection instruction in a given bit range defined by the register region.

Register region is described as a generic address structure. This structure describes the physical address of a register as well as the bit range that corresponds to a desired region of the register. The bit range is defined as the smallest set of consecutive bits that contains every bit in the register that is associated with the injection Instruction. If bits [6:5] and bits [3:2] all correspond to an Injection Instruction, the bit range for that instruction would be [6:2].

Because a bit range could contain bits that do not pertain to a particular injection Instruction (i.e. bit 4 in the example above), a bit mask is required to distinguish all the bits in the region that correspond to the instruction. The Mask field is defined to be this bit mask with a bit set to a '1' for each bit in the bit range (defined by the register region) corresponding to the Injection Instruction. Note that bit 0 of the bit mask corresponds to the lowest bit in the bit range. In the example used above, the mask would be 11011b or 0x1B.

**Table 17-25 Instruction Flags**

Value	Name	Description
0x01	PRESERVE_REGISTER	For WRITE_REGISTER and WRITE_REGISTER_VALUE instructions, this flag indicates that bits within the register that are not being written must be preserved rather than destroyed.  For READ_REGISTER instructions, this flag is ignored.

### 17.6.3 Injection Instructions

Table 17-26 lists the supported Injection Instructions for Injection Instruction Entries.

**Table 17-26 Injection Instructions**

Opcode	Instruction name	Description
0x00	READ_REGISTER	A READ_REGISTER instruction reads the value from the specified register region.
0x01	READ_REGISTER_VALUE	A READ_REGISTER_VALUE instruction reads the designated information from the specified Register Region and compares the results with the contents of the Value field.  If the information read matches the contents of the Value field, TRUE is returned, else FALSE is returned.
0x02	WRITE_REGISTER	A WRITE_REGISTER instruction writes a value to the specified Register Region. The Value field is ignored.
0x03	WRITE_REGISTER_VALUE	A WRITE_REGISTER_VALUE instruction writes the contents of the Value field to the specified Register Region.
0x04	NOOP	No operation.

Table 17-27 below defines the error injection status codes returned from GET\_COMMAND\_STATUS.

**Table 17-27 Command Status Definition**

Value	Description
0x0	Success
0x1	Unknown Failure
0x2	Invalid Access

Table 17-28 below defines the error type codes returned from GET\_ERROR\_TYPE.

**Table 17-28 Error Type Definition**

Bit	Description
0	Processor Correctable
1	Processor Uncorrectable non-fatal
2	Processor Uncorrectable fatal
3	Memory Correctable
4	Memory Uncorrectable non-fatal
5	Memory Uncorrectable fatal
6	PCI Express Correctable
7	PCI Express Uncorrectable non-fatal
8	PCI Express Uncorrectable fatal

Bit	Description
9	Platform Correctable
10	Platform Uncorrectable non-fatal
11	Platform Uncorrectable fatal
12:31	RESERVED

### 17.6.4 Trigger Action Table

Error injection operation is a two step process where the error is injected into the platform and subsequently triggered. After software injects an error into the platform using SET\_ERROR\_TYPE action, it needs to trigger the error. In order to trigger the error, the software invokes GET\_TRIGGER\_ERROR\_ACTION\_TABLE action which returns a pointer to a Trigger Error Action table. The format of the table is as shown in Table 17-29. Software executes the instruction entries specified in the Trigger Error Action Table in order to trigger the injected error.

**Table 17-29 Trigger Error Action**

<i>TRIGGER_ERROR Header</i>	Byte Length	Byte Offset	Description
Header Size	4	0x0	Length in bytes of this header.
Revision	4	0x4	
Table Size	4	0x8	Size in Bytes of the entire table.
Entry Count	4	0xC	The number of Instruction Entries in the TRIGGER_ERROR Action Sequence (See Note 1)
<i>Action Table</i>			
TRIGGER_ERROR Instruction Entries (See Note 2)		0x10	A series of error injection instruction entries as defined in Table 17-26.

**Note 1:** If the “Entry Count” field above is ZERO, then there are no action structures in the TRIGGER\_ERROR action table. The platform may make this field ZERO in situations where there is no need for a TRIGGER\_ERROR action (for example, in cases where the *error* injection action seeds as well as consumes the error).

**Note 2:** The format of TRIGGER\_ERROR Instructions Entries is the same as Injection Instruction entries as described in Table 17-24.

### 17.6.5 Error Injection Operation

Before OSPM can use this mechanism to inject errors, it must discover the error injection capabilities of the platform by executing a GET\_ERROR\_TYPE. See Table 17-28 for definition of error types.

After discovering the error injection capabilities, OSPM can inject and trigger an error according to the sequence described below.

Note that injecting an error into the platform does not automatically consume the error. In response to an error injection, the platform returns a trigger error action table. The software that injected the error must execute the actions in the trigger error action table in order to consume the error. If a specific error type is such that it is automatically consumed on injection, the platform will return a trigger error action table consisting of NO\_OP.

1. Executes a `BEGIN_INJECTION_OPERATION` action to notify the platform that an error injection operation is beginning.
2. Executes a `SET_ERROR_TYPE` action to inform the platform what kind of error to inject. Only one `ERROR_TYPE` can be injected at a given time. If there is a request for multiple injections at the same time, then the platform will return an error condition.
3. Executes an `EXECUTE_OPERATION` action to instruct the platform to begin the injection operation.
4. Busy waits by continually executing `CHECK_BUSY_STATUS` action until the platform indicates that the operation is complete by clearing the abstracted *Busy* bit.
5. Executes a `GET_COMMAND_STATUS` action to determine the status of the read operation.
6. If the status indicates that the platform cannot inject errors, stop.
7. Executes a `GET_TRIGGER_ERROR_ACTION_TABLE` operation to get the physical pointer to the `TRIGGER_ERROR` action table. This provides the flexibility in systems where injecting an error is a two (or more) step process.
8. Executes the actions specified in the `TRIGGER_ERROR` action table.
9. Execute an `END_OPERATION` to notify the platform that the error injection operation is complete.

## 18 ACPI Source Language (ASL) Reference

This section formally defines the ACPI Source Language (ASL). ASL is a source language for defining ACPI objects including writing ACPI control methods. OEMs and BIOS developers define objects and write control methods in ASL and then use a translator tool (compiler) to generate ACPI Machine Language (AML) versions of the control methods. For a formal definition of AML, see the ACPI Machine Language (AML) Specification, section 19, “ACPI Machine Language Specification.”

AML and ASL are *different languages* though they are closely related.

Every ACPI-compatible OS must support AML. A given user can define some arbitrary source language (to replace ASL) and write a tool to translate it to AML.

An OEM or BIOS vendor needs to write ASL and be able to single-step AML for debugging. (Debuggers and similar tools are expected to be AML-level tools, not source-level tools.) An ASL translator implementer must understand how to read ASL and generate AML. An AML interpreter author must understand how to execute AML.

This section has two parts:

- The ASL grammar, which is the formal ASL specification and also serves as a quick reference.
- A full ASL reference, which includes for each ASL operator: the operator invocation syntax, the type of each argument, and a description of the action and use of the operator.

### 18.1 ASL Language Grammar

The purpose of this section is to state unambiguously the grammar rules used by the syntax checker of an ASL compiler.

ASL statements declare objects. Each object has three parts, two of which might not be present.

Object := ObjectType FixedList VariableList

**FixedList** refers to a list, of known length, that supplies data that all instances of a given **ObjectType** must have. A fixed list is written as  $(a, b, c, \dots)$  where the number of arguments depends on the specific **ObjectType**, and some elements can be nested objects, that is  $(a, b, (q, r, s, t), d)$ . Arguments to a **FixedList** can have default values, in which case they can be skipped. Thus,  $(a, c)$  will cause the default value for the second argument to be used. Some **ObjectTypes** can have a null **FixedList**, which is simply omitted. Trailing arguments of some object types can be left out of a fixed list, in which case the default value is used.

**VariableList** refers to a list, not of predetermined length, of child objects that help define the parent. It is written as  $\{x, y, z, aa, bb, cc\}$  where any argument can be a nested object. **ObjectType** determines what terms are legal elements of the **VariableList**. Some **ObjectTypes** may have a null variable list, which is simply omitted.

Other rules for writing ASL statements are the following:

- Multiple blanks are the same as one. Blank, (, ), ‘, ’ and newline are all token separators.
- // marks the beginning of a comment, which continues from the // to the end of the line.
- /\* marks the beginning of a comment, which continues from the /\* to the next \*/.
- “” (quotes) surround an ASCII string.
- Numeric constants can be written in three ways: ordinary decimal, octal (using *Oddd*) or hexadecimal, using the notation *0xdd*.
- **Nothing** indicates an empty item. For example,  $\{\text{Nothing}\}$  is equivalent to  $\{\}$ .

### 18.1.1 ASL Grammar Notation

The notation used to express the ASL grammar is specified in the following table.

**Table 18- 1 ASL Grammar Notation**

Notation Convention	Description	Example
Term := Term Term ...	The term to the left of := can be expanded into the sequence of terms on the right.	aterm := bterm cterm means that aterm can be expanded into the two-term sequence of bterm followed by cterm.
Angle brackets (<>)	Used to group items.	<a b>   <c d> means either a b or c d.
Arrow (=>)	Indicates required run-time reduction of an ASL argument to an AML data type. Means “reduces to” or “evaluates to” at run-time.	“ <b>TermArg =&gt; Integer</b> ” means that the argument must be an ASL <b>TermArg</b> that must resolve to an <b>Integer</b> data type when it is evaluated by an AML interpreter.
Bar symbol ( )	Separates alternatives.	aterm := bterm   <cterm dterm> means the following constructs are possible: bterm cterm dterm aterm := <bterm   cterm> dterm means the following constructs are possible: bterm dterm cterm dterm
Term Term Term	Terms separated from each other by spaces form an ordered list.	N/A



Notation Convention	Description	Example
Word in <b>bold</b>	Denotes the name of a term in the ASL grammar, representing any instance of such a term. ASL terms are not case-sensitive.	In the following ASL term definition: <b>ThermalZone</b> ( <i>ZoneName</i> ) {ObjectList} the item in bold is the name of the term.
Word in <i>italics</i>	Names of arguments to objects that are replaced for a given instance.	In the following ASL term definition: <b>ThermalZone</b> ( <i>ZoneName</i> ) {ObjectList} the italicized item is an argument. The item that is not bolded or italicized is defined elsewhere in the ASL grammar.
Single quotes ( ' ' )	Indicate constant characters.	'A'
0xdd	Refers to a byte value expressed as two hexadecimal digits.	0x21 means a value of hexadecimal 21, or decimal 37. Notice that a value expressed in hexadecimal must start with a leading zero (0).
Dash character ( - )	Indicates a range.	1-9 means a single digit in the range 1 to 9 inclusive.

## 18.1.2 ASL Name and Pathname Terms

```
// Name and path characters supported

LeadNameChar :=
    'A'-'Z' | 'a'-'z' | '_'
DigitChar :=
    '0'-'9'
NameChar :=
    DigitChar | LeadNameChar
RootChar :=
    '\'
ParentPrefixChar :=
    '^'
PathSeparatorChar :=
    '.'
CommaChar :=
    ','
SemicolonDelimiter :=
    Nothing | ';'

// Names and paths

NameSeg :=
    <LeadNameChar> |
    <LeadNameChar NameChar> |
    <LeadNameChar NameChar NameChar> |
    <LeadNameChar NameChar NameChar NameChar>
NameString :=
    <RootChar NamePath> | <ParentPrefixChar PrefixPath NamePath> | NonEmptyNamePath
NamePath :=
    Nothing | <NameSeg NamePathTail>
NamePathTail :=
    Nothing | <PathSeparatorChar NameSeg NamePathTail>
NonEmptyNamePath :=
    NameSeg | <NameSeg NamePathTail>
PrefixPath :=
    Nothing | <ParentPrefixChar PrefixPath>
```

## 18.1.3 ASL Root and Secondary Terms

```
// Root Term

ASLCode :=
    DefinitionBlockTerm

// Major Terms

SuperName :=
    NameString | ArgTerm | LocalTerm | DebugTerm | Type6Opcode | UserTerm
Target :=
    Nothing | SuperName
TermArg :=
    Type2Opcode | DataObject | ArgTerm | LocalTerm | NameString
UserTerm :=
    NameString( // NameString => Method
        ArgList
    ) => Nothing | DataRefObject

// List Terms

ArgList :=
    Nothing | <TermArg ArgListTail>
ArgListTail :=
    Nothing | <CommaChar TermArg ArgListTail>

ByteList :=
    Nothing | <ByteConstExpr ByteListTail>
```

```

ByteListTail :=
    Nothing | <CommaChar ByteConstExpr ByteListTail>

DWordList :=
    Nothing | <DWordConstExpr DWordListTail>
DWordListTail :=
    Nothing | <CommaChar DWordConstExpr DWordListTail>

FieldUnitList :=
    Nothing | <FieldUnit FieldUnitListTail>
FieldUnitListTail :=
    Nothing | <CommaChar FieldUnit FieldUnitListTail>
FieldUnit :=
    FieldUnitEntry | OffsetTerm | AccessAsTerm
FieldUnitEntry :=
    <Nothing | NameSeg> CommaChar Integer

ObjectList :=
    Nothing | <Object ObjectList>
Object :=
    CompilerDirective | NamedObject | NamespaceModifier

PackageList :=
    Nothing | <PackageElement PackageListTail>
PackageListTail :=
    Nothing | <CommaChar PackageElement PackageListTail>
PackageElement :=
    DataObject | NameString

ParameterTypePackage :=
    ObjectTypeKeyword | {Nothing | ParameterTypePackageList}
ParameterTypePackageList :=
    ObjectTypeKeyword | <ObjectTypeKeyword CommaChar ParameterTypePackageList>

ParameterTypesPackage :=
    ObjectTypeKeyword | {Nothing | ParameterTypesPackageList}
ParameterTypesPackageList :=
    ParameterTypePackage | <ParameterTypePackage CommaChar ParameterTypesPackageList>

TermList :=
    Nothing | <Term SemicolonDelimiter TermList>
Term :=
    Object | Type1Opcode | Type2Opcode

// Conditional Execution List Terms

CaseTermList :=
    Nothing | CaseTerm | DefaultTerm DefaultTermList | CaseTerm CaseTermList
DefaultTermList :=
    Nothing | CaseTerm | CaseTerm DefaultTermList
IfElseTerm :=
    IfTerm ElseTerm

```

## 18.1.4 ASL Data and Constant Terms

```

// Numeric Value Terms

LeadDigitChar :=
    '1'-'9'
HexDigitChar :=
    DigitChar | 'A'-'F' | 'a'-'f'
OctalDigitChar :=
    '0'-'7'
NullChar :=
    0x00

// Data Terms

DataObject :=
    BufferData | PackageData | IntegerData | StringData

```

## 540 Advanced Configuration and Power Interface Specification

```
DataRefObject :=
    DataObject | ObjectReference | DDBHandle

ComputationalData :=
    BufferData | IntegerData | StringData
BufferData :=
    Type50opcode | BufferTerm
IntegerData :=
    Type30opcode | Integer | ConstTerm
PackageData :=
    PackageTerm
StringData :=
    Type40opcode | String

// Integer Terms

Integer :=
    DecimalConst | OctalConst | HexConst
DecimalConst :=
    LeadDigitChar | <DecimalConst DigitChar>
OctalConst :=
    '0' | <OctalConst OctalDigitChar>
HexConst :=
    <0x HexDigitChar> | <0X HexDigitChar> | <HexConst HexDigitChar>
ByteConst :=
    Integer => 0x00-0xFF
WordConst :=
    Integer => 0x0000-0xFFFF
DWordConst :=
    Integer => 0x00000000-0xFFFFFFFF
QWordConst :=
    Integer => 0x0000000000000000-0xFFFFFFFFFFFFFFFF

ByteConstExpr :=
    <Type30opcode | ConstExprTerm | Integer> => ByteConst
WordConstExpr :=
    <Type30opcode | ConstExprTerm | Integer> => WordConst
DWordConstExpr :=
    <Type30opcode | ConstExprTerm | Integer> => DWordConst
QWordConstExpr :=
    <Type30opcode | ConstExprTerm | Integer> => QWordConst

ConstTerm :=
    ConstExprTerm | Revision
ConstExprTerm :=
    Zero | One | Ones

// String Terms

String :=
    ''' Utf8CharList '''
Utf8CharList :=
    Nothing | <EscapeSequence Utf8CharList> | <Utf8Char Utf8CharList>
Utf8Char :=
    0x01-0x21 |
    0x23-0x5B |
    0x5D-0x7F |
    0xC2-0xDF 0x80-0xBF |
    0xE0 0xA0-0xBF 0x80-0xBF |
    0xE1-0xEC 0x80-0xBF 0x80-0xBF |
    0xED 0x80-0x9F 0x80-0xBF |
    0xEE-0xEF 0x80-0xBF 0x80-0xBF |
    0xF0 0x90-0xBF 0x80-0xBF 0x80-0xBF |
    0xF1-0xF3 0x80-0xBF 0x80-0xBF 0x80-0xBF

// Escape sequences

EscapeSequence :=
    SimpleEscapeSequence | OctalEscapeSequence | HexEscapeSequence
```

```

HexEscapeSequence :=
    \x HexDigitChar |
    \X HexDigitChar HexDigitChar
SimpleEscapeSequence :=
    \' | \" | \a | \b | \f | \n | \r | \t | \v | \\
OctalEscapeSequence :=
    \ OctalDigitChar |
    \ OctalDigitChar OctalDigitChar |
    \ OctalDigitChar OctalDigitChar OctalDigitChar

// Miscellaneous Data Type Terms

DDBHandle :=
    Integer
ObjectReference :=
    Integer
Boolean :=
    True | False
True :=
    Ones
False :=
    Zero

```

## 18.1.5 ASL Opcode Terms

```

CompilerDirective :=
    IncludeTerm | ExternalTerm

NamedObject :=
    BankFieldTerm | CreateBitFieldTerm | CreateByteFieldTerm | CreateDWordFieldTerm |
    CreateFieldTerm | CreateQWordFieldTerm | CreateWordFieldTerm | DataRegionTerm |
    DeviceTerm | EventTerm | FieldTerm | FunctionTerm | IndexFieldTerm | MethodTerm |
    MutexTerm | OpRegionTerm | PowerResTerm | ProcessorTerm | ThermalZoneTerm

NameSpaceModifier :=
    AliasTerm | NameTerm | ScopeTerm

Type1Opcode :=
    BreakTerm | BreakPointTerm | ContinueTerm | FatalTerm | IfElseTerm | LoadTerm |
    NoOpTerm | NotifyTerm | ReleaseTerm | ResetTerm | ReturnTerm | SignalTerm | SleepTerm
    | StallTerm | SwitchTerm | UnloadTerm | WhileTerm

```

A Type 1 opcode term does not return a value and can only be used standalone on a line of ASL code. Since these opcodes do not return a value they cannot be used as a term in an expression.

```

Type2Opcode :=
    AcquireTerm | AddTerm | AndTerm | ConcatTerm | ConcatResTerm | CondRefOfTerm |
    CopyObjectTerm | DecTerm | DerefOfTerm | DivideTerm | FindSetLeftBitTerm |
    FindSetRightBitTerm | FromBCDTerm | IncTerm | IndexTerm | LAndTerm | LEqualTerm |
    LGreaterTerm | LGreaterEqualTerm | LLessTerm | LLessEqualTerm | LNotTerm |
    LNotEqualTerm | LoadTableTerm | LOrTerm | MatchTerm | MidTerm | ModTerm | MultiplyTerm
    | NAndTerm | NOrTerm | NotTerm | ObjectTypeTerm | OrTerm | RefOfTerm | ShiftLeftTerm |
    ShiftRightTerm | SizeOfTerm | StoreTerm | SubtractTerm | TimerTerm | ToBCDTerm |
    ToBufferTerm | ToDecimalStringTerm | ToHexStringTerm | ToIntegerTerm | ToStringTerm |
    WaitTerm | XorTerm | UserTerm

```

A Type 2 opcode returns a value and can be used in an expression.

```

Type3Opcode :=
    AddTerm | AndTerm | DecTerm | DerefOfTerm | DivideTerm | EISAIDTerm |
    FindSetLeftBitTerm | FindSetRightBitTerm | FromBCDTerm | IncTerm | LAndTerm |
    LEqualTerm | LGreaterTerm | LGreaterEqualTerm | LLessTerm | LLessEqualTerm | LNotTerm
    | LNotEqualTerm | LOrTerm | MatchTerm | ModTerm | MultiplyTerm | NAndTerm | NOrTerm |
    NotTerm | OrTerm | ShiftLeftTerm | ShiftRightTerm | SubtractTerm | ToBCDTerm |
    ToIntegerTerm | XorTerm

```

The Type 3 opcodes are a subset of Type 2 opcodes that return an **Integer** value and can be used in an expression that evaluates to a constant. These opcodes may be evaluated at ASL compile-time. To ensure that these opcodes will evaluate to a constant, the following rules apply: The term cannot have a destination (target) operand, and must have either a Type3Opcode, Type4Opcode, Type5Opcode, ConstExprTerm, Integer, BufferTerm, Package, or String for all arguments.

```
Type4Opcode :=
  ConcatTerm | DerefOfTerm | MidTerm | ToDecimalStringTerm | ToHexStringTerm |
  ToStringTerm
```

The Type 4 opcodes are a subset of Type 2 opcodes that return a **String** value and can be used in an expression that evaluates to a constant. These opcodes may be evaluated at ASL compile-time. To ensure that these opcodes will evaluate to a constant, the following rules apply: The term cannot have a destination (target) operand, and must have either a Type3Opcode, Type4Opcode, Type5Opcode, ConstExprTerm, Integer, BufferTerm, Package, or String for all arguments.

```
Type5Opcode :=
  ConcatTerm | ConcatResTerm | DerefOfTerm | MidTerm | ResourceTemplateTerm |
  ToBufferTerm | ToUUIDTerm | UnicodeTerm
```

The Type 5 opcodes are a subset of Type 2 opcodes that return a **Buffer** value and can be used in an expression that evaluates to a constant. These opcodes may be evaluated at ASL compile-time. To ensure that these opcodes will evaluate to a constant, the following rules apply: The term cannot have a destination (target) operand, and must have either a Type3Opcode, Type4Opcode, Type5Opcode, ConstExprTerm, Integer, BufferTerm, Package, or String for all arguments.

```
Type6Opcode :=
  RefOfTerm | DerefOfTerm | IndexTerm | UserTerm
```

## 18.1.6 ASL Primary (Terminal) Terms

```
AccessAsTerm :=
  AccessAs (
    AccessType,           // AccessTypeKeyword
    AccessAttribute       // Nothing | ByteConstExpr | AccessAttribKeyword
  )
AcquireTerm :=
  Acquire (
    SyncObject,          // SuperName => Mutex
    TimeoutValue         // WordConstExpr
  ) => Boolean           // True means timed-out

AddTerm :=
  Add (
    Addend1,             // TermArg => Integer
    Addend2,             // TermArg => Integer
    Result               // Target
  ) => Integer

AliasTerm :=
  Alias (
    SourceObject,        // NameString
    AliasObject          // NameString
  )

AndTerm :=
  And (
    Source1,             // TermArg => Integer
    Source2,             // TermArg => Integer
    Result               // Target
  ) => Integer

ArgTerm :=
  Arg0 | Arg1 | Arg2 | Arg3 | Arg4 | Arg5 | Arg6
```

```

BankFieldTerm :=
  BankField (
    RegionName,           // NameString => OperationRegion
    BankName,            // NameString => FieldUnit
    BankValue,           // TermArg => Integer
    AccessType,          // AccessTypeKeyword
    LockRule,            // LockRuleKeyword
    UpdateRule,          // UpdateRuleKeyword
  ) {FieldUnitList}

BreakPointTerm :=
  BreakPoint

BreakTerm :=
  Break

BufferTerm :=
  Buffer (
    BuffSize              // Nothing | TermArg => Integer
  ) {StringData | ByteList} => Buffer

CaseTerm :=
  Case (
    Value                  // DataObject
  ) {TermList}

ConcatResTerm :=
  ConcatenateResTemplate (
    Source1,              // TermArg => Buffer
    Source2,              // TermArg => Buffer
    Result,                // Target
  ) => Buffer

ConcatTerm :=
  Concatenate (
    Source1,              // TermArg => ComputationalData
    Source2,              // TermArg => ComputationalData
    Result,                // Target
  ) => ComputationalData

CondRefOfTerm :=
  CondRefOf (
    Source,               // SuperName
    Destination,          // Target
  ) => Boolean

ContinueTerm :=
  Continue

CopyObjectTerm :=
  CopyObject (
    Source,                // TermArg => DataRefObject
    Result,                // NameString | LocalTerm | ArgTerm
  ) => DataRefObject

CreateBitFieldTerm :=
  CreateBitField (
    SourceBuffer,         // TermArg => Buffer
    BitIndex,             // TermArg => Integer
    BitFieldName,        // NameString
  )

CreateByteFieldTerm :=
  CreateByteField (
    SourceBuffer,         // TermArg => Buffer
    ByteIndex,           // TermArg => Integer
    ByteFieldName,       // NameString
  )

```

```

CreateWordFieldTerm :=
  CreateWordField (
    SourceBuffer,           // TermArg => Buffer
    ByteIndex,             // TermArg => Integer
    DWordFieldName         // NameString
  )

CreateFieldTerm :=
  CreateField (
    SourceBuffer,           // TermArg => Buffer
    BitIndex,              // TermArg => Integer
    NumBits,               // TermArg => Integer
    FieldName              // NameString
  )

CreateQWordFieldTerm :=
  CreateQWordField (
    SourceBuffer,           // TermArg => Buffer
    ByteIndex,             // TermArg => Integer
    QWordFieldName         // NameString
  )

CreateWordFieldTerm :=
  CreateWordField (
    SourceBuffer,           // TermArg => Buffer
    ByteIndex,             // TermArg => Integer
    WordFieldName          // NameString
  )

DataRegionTerm :=
  DataTableRegion (
    RegionName,            // NameString
    SignatureString,       // TermArg => String
    OEMIDString,           // TermArg => String
    OEMTableIDString       // TermArg => String
  )

DebugTerm :=
  Debug

DecTerm :=
  Decrement (
    Minuend                // SuperName
  ) => Integer

DefaultTerm :=
  Default {TermList}

DefinitionBlockTerm :=
  DefinitionBlock (
    AMLFileName,           // StringData
    TableSignature,        // StringData
    ComplianceRevision,    // ByteConst
    OEMID,                  // StringData
    TableID,                // StringData
    OEMRevision             // DWordConst
  ) {ObjectList}

DerefOfTerm :=
  DerefOf (
    Source                  // TermArg => ObjectReference
                          // ObjectReference is an object produced by terms such
                          // as Index, RefOf or CondRefOf.
  ) => DataRefObject

DeviceTerm :=
  Device (
    DeviceName              // NameString
  ) {ObjectList}

```



```

DivideTerm :=
  Divide (
    Dividend,           // TermArg => Integer
    Divisor,           // TermArg => Integer
    Remainder,        // Target
    Result             // Target
  ) => Integer         // Returns Result

EISAIDTerm :=
  EISAID (
    EisaIdString      // StringData
  ) => DWordConst

ElseIfTerm :=
  ElseIf (
    Predicate         // TermArg => Integer
  ) {TermList} ElseTerm

ElseTerm :=
  Else {TermList} | ElseIfTerm | Nothing

EventTerm :=
  Event (
    EventName        // NameString
  )

ExternalTerm :=
  External (
    ObjName,          // NameString
    ObjType,          // Nothing | ObjectTypeKeyword
    ResultType,      // Nothing | ParameterTypePackage
    ParameterTypes  // Nothing | ParameterTypesPackage
  )

FatalTerm :=
  Fatal (
    Type,             // ByteConstExpr
    Code,             // DWordConstExpr
    Arg               // TermArg => Integer
  )

FieldTerm :=
  Field (
    RegionName,      // NameString => OperationRegion
    AccessType,      // AccessTypeKeyword
    LockRule,        // LockRuleKeyword
    UpdateRule      // UpdateRuleKeyword
  ) {FieldUnitList}

FindSetLeftBitTerm :=
  FindSetLeftBit (
    Source,           // TermArg => Integer
    Result            // Target
  ) => Integer

FindSetRightBitTerm :=
  FindSetRightBit (
    Source,           // TermArg => Integer
    Result            // Target
  ) => Integer

FromBCDTerm :=
  FromBCD (
    BCDValue,        // TermArg => Integer
    Result            // Target
  ) => Integer

```

```

FunctionTerm :=
  Function (
    FunctionName,           // NameString
    ReturnType,           // Nothing | ParameterTypePackage
    ParameterTypes       // Nothing | ParameterTypesPackage
  ) {TermList}

IfTerm :=
  If (
    Predicate             // TermArg => Integer
  ) {TermList}

IncludeTerm :=
  Include (
    FilePathName         // StringData
  )

IncTerm :=
  Increment (
    Addend              // SuperName
  ) => Integer

IndexFieldTerm :=
  IndexField (
    IndexName,           // NameString => FieldUnit
    DataName,           // NameString => FieldUnit
    AccessType,         // AccessTypeKeyword
    LockRule,          // LockRuleKeyword
    UpdateRule         // UpdateRuleKeyword
  ) {FieldUnitList}

IndexTerm :=
  Index (
    Source,             // TermArg => <String | Buffer | PackageTerm>
    Index,             // TermArg => Integer
    Destination       // Target
  ) => ObjectReference

LAndTerm :=
  LAnd (
    Source1,           // TermArg => Integer
    Source2,           // TermArg => Integer
  ) => Boolean

LEqualTerm :=
  LEqual (
    Source1,           // TermArg => ComputationalData
    Source2,           // TermArg => ComputationalData
  ) => Boolean

LGreaterEqualTerm :=
  LGreaterEqual (
    Source1,           // TermArg => ComputationalData
    Source2,           // TermArg => ComputationalData
  ) => Boolean

LGreaterTerm :=
  LGreater (
    Source1,           // TermArg => ComputationalData
    Source2,           // TermArg => ComputationalData
  ) => Boolean

LLessEqualTerm :=
  LLessEqual (
    Source1,           // TermArg => ComputationalData
    Source2,           // TermArg => ComputationalData
  ) => Boolean

```

```

LLessTerm :=
    LLess (
        Source1,           // TermArg => ComputationalData
        Source2           // TermArg => ComputationalData
    ) => Boolean

LNotEqualTerm :=
    LNotEqual (
        Source1,           // TermArg => ComputationalData
        Source2           // TermArg => ComputationalData
    ) => Boolean

LNotTerm :=
    LNot (
        Source,           // TermArg => Integer
    ) => Boolean

LoadTableTerm :=
    LoadTable (
        SignatureString,  // TermArg => String
        OemIDString,      // TermArg => String
        OemTableIDString, // TermArg => String
        RootPathString,   // Nothing | TermArg => String
        ParameterPathString, // Nothing | TermArg => String
        ParameterData     // Nothing | TermArg => DataRefObject
    ) => DDBHandle

LoadTerm :=
    Load (
        Object,           // NameString
        DDBHandle         // SuperName
    )

LocalTerm :=
    Local0 | Local1 | Local2 | Local3 | Local4 | Local5 | Local6 | Local7

LOrTerm :=
    LOr (
        Source1,         // TermArg => Integer
        Source2         // TermArg => Integer
    ) => Boolean

MatchTerm :=
    Match (
        SearchPackage,   // TermArg => Package
        Op1,              // MatchOpKeyword
        MatchObject1,    // TermArg => ComputationalData
        Op2,              // MatchOpKeyword
        MatchObject2,    // TermArg => ComputationalData
        StartIndex       // TermArg => Integer
    ) => <Ones | Integer>

MethodTerm :=
    Method (
        MethodName,      // NameString
        NumArgs,         // Nothing | ByteConstExpr
        SerializeRule,   // Nothing | SerializeRuleKeyword
        SyncLevel,       // Nothing | ByteConstExpr
        ReturnTypes,     // Nothing | ParameterTypePackage
        ParameterTypes   // Nothing | ParameterTypesPackage
    ) {TermList}

MidTerm :=
    Mid (
        Source,          // TermArg => <Buffer | String>
        Index,           // TermArg => Integer
        Length,          // TermArg => Integer
        Result           // Target
    ) => <Buffer | String>

```

## 548 Advanced Configuration and Power Interface Specification

```
ModTerm :=
  Mod (
    Dividend,           // TermArg => Integer
    Divisor,           // TermArg => Integer
    Result             // Target
  ) => Integer         // Returns Result

MultiplyTerm :=
  Multiply (
    Multiplicand,     // TermArg => Integer
    Multiplier,      // TermArg => Integer
    Result           // Target
  ) => Integer

MutexTerm :=
  Mutex (
    MutexName,       // NameString
    SyncLevel       // ByteConstExpr
  )

NameTerm :=
  Name (
    ObjectName,     // NameString
    Object         // DataObject
  )

NAndTerm :=
  NAnd (
    Source1,        // TermArg => Integer
    Source2,        // TermArg => Integer
    Result         // Target
  ) => Integer

NoOpTerm :=
  NoOp

NOrTerm :=
  NOR (
    Source1,        // TermArg => Integer
    Source2,        // TermArg => Integer
    Result         // Target
  ) => Integer

NotifyTerm :=
  Notify (
    Object,         // SuperName => <ThermalZone | Processor | Device>
    NotificationValue // TermArg => Integer
  )

NotTerm :=
  Not (
    Source,         // TermArg => Integer
    Result         // Target
  ) => Integer

ObjectTypeTerm :=
  ObjectType (
    Object         // SuperName
  ) => Integer

OffsetTerm :=
  Offset (
    ByteOffset     // IntegerData
  )
```

```

OpRegionTerm :=
    OperationRegion (
        RegionName,           // NameString
        RegionSpace,        // RegionSpaceKeyword
        Offset,              // TermArg => Integer
        Length               // TermArg => Integer
    )

OrTerm :=
    Or (
        Source1,             // TermArg => Integer
        Source2,             // TermArg => Integer
        Result               // Target
    ) => Integer

PackageTerm :=
    Package (
        NumElements         // Nothing | ByteConstExpr | TermArg => Integer
    ) {PackageList} => Package

PowerResTerm :=
    PowerResource (
        ResourceName,       // NameString
        SystemLevel,        // ByteConstExpr
        ResourceOrder       // WordConstExpr
    ) {ObjectList}

ProcessorTerm :=
    Processor (
        ProcessorName,      // NameString
        ProcessorID,         // ByteConstExpr
        PBlockAddress,       // DWordConstExpr | Nothing (=0)
        PblockLength         // ByteConstExpr | Nothing (=0)
    ) {ObjectList}

RefOfTerm :=
    RefOf (
        Object               // SuperName
    ) => ObjectReference

ReleaseTerm :=
    Release (
        SyncObject          // SuperName
    )

ResetTerm :=
    Reset (
        SyncObject          // SuperName
    )

ReturnTerm :=
    Return (
        Arg                  // Nothing | TermArg => DataRefObject
    )

ScopeTerm :=
    Scope (
        Location             // NameString
    ) {ObjectList}

ShiftLeftTerm :=
    ShiftLeft (
        Source,              // TermArg => Integer
        ShiftCount,          // TermArg => Integer
        Result                // Target
    ) => Integer

```

## 550 Advanced Configuration and Power Interface Specification

```
ShiftRightTerm :=
  ShiftRight (
    Source,           // TermArg => Integer
    ShiftCount,      // TermArg => Integer
    Result           // Target
  ) => Integer

SignalTerm :=
  Signal (
    SyncObject       // SuperName
  )

SizeOfTerm :=
  SizeOf (
    DataObject       // SuperName => <String | Buffer | Package>
  ) => Integer

SleepTerm :=
  Sleep (
    MilliSeconds     // TermArg => Integer
  )

StallTerm :=
  Stall (
    MicroSeconds     // TermArg => Integer
  )

StoreTerm :=
  Store (
    Source,           // TermArg => DataRefObject
    Destination      // SuperName
  ) => DataRefObject

SubtractTerm :=
  Subtract (
    Minuend,         // TermArg => Integer
    Subtrahend,     // TermArg => Integer
    Result           // Target
  ) => Integer

SwitchTerm :=
  Switch (
    Predicate        // TermArg => ComputationalData
  ) {CaseTermList}

ThermalZoneTerm :=
  ThermalZone (
    ThermalZoneName // NameString
  ) {ObjectList}

TimerTerm :=
  Timer => Integer

ToBCDTerm :=
  ToBCD (
    Value,           // TermArg => Integer
    Result           // Target
  ) => Integer

ToBufferTerm :=
  ToBuffer (
    Data,            // TermArg => ComputationalData
    Result           // Target
  ) => ComputationalData

ToDecimalStringTerm :=
  ToDecimalString (
    Data,            // TermArg => ComputationalData
    Result           // Target
  ) => String
```

```

ToHexStringTerm :=
    ToHexString (
        Data,                // TermArg => ComputationalData
        Result               // Target
    ) => String

ToIntegerTerm :=
    ToInteger (
        Data,                // TermArg => ComputationalData
        Result               // Target
    ) => Integer

ToStringTerm :=
    ToString (
        Source,              // TermArg => Buffer
        Length,             // Nothing | TermArg => Integer
        Result               // Target
    ) => String

ToUUIDTerm :=
    ToUUID (
        String               // StringData
    ) => Buffer

UnicodeTerm :=
    Unicode (
        String               // StringData
    ) => Buffer

UnloadTerm :=
    Unload (
        DDBHandle           // SuperName
    )

WaitTerm :=
    Wait (
        SyncObject,         // SuperName => Event
        TimeoutValue       // TermArg => Integer
    ) => Boolean           // True means timed-out

WhileTerm :=
    While (
        Predicate           // TermArg => Integer
    ) {TermList}

XOrTerm :=
    XOR (
        Source1,            // TermArg => Integer
        Source2,            // TermArg => Integer
        Result              // Target
    ) => Integer

```

### 18.1.7 ASL Parameter Keyword Terms

```

AccessAttribKeyword :=
    SMBQuick | SMBSendReceive | SMBByte | SMBWord | SMBBlock | SMBProcessCall |
    SMBBlockProcessCall // Note: Used for SMBus BufferAcc only.

AccessTypeKeyword :=
    AnyAcc | ByteAcc | WordAcc | DWordAcc | QWordAcc | BufferAcc

AddressKeyword :=
    AddressRangeMemory | AddressRangeReserved | AddressRangeNVS | AddressRangeACPI

AddressSpaceKeyword :=
    RegionSpaceKeyword | FFixedHW

BusMasterKeyword :=
    BusMaster | NotBusMaster

DecodeKeyword :=
    SubDecode | PosDecode

DMATypeKeyword :=
    Compatibility | TypeA | TypeB | TypeF

```

```

InterruptTypeKeyword :=
    Edge | Level
InterruptLevel :=
    ActiveHigh | ActiveLow
IODecodeKeyword :=
    Decode16 | Decode10
LockRuleKeyword :=
    Lock | NoLock
MatchOpKeyword :=
    MTR | MEQ | MLE | MLT | MGE | MGT
MaxKeyword :=
    MaxFixed | MaxNotFixed
MemTypeKeyword :=
    Cacheable | WriteCombining | Prefetchable | NonCacheable
MinKeyword :=
    MinFixed | MinNotFixed
ObjectTypeKeyword :=
    UnknownObj | IntObj | StrObj | BuffObj | PkgObj | FieldUnitObj | DeviceObj | EventObj
    | MethodObj | MutexObj | OpRegionObj | PowerResObj | ProcessorObj | ThermalZoneObj |
    BuffFieldObj | DDBHandleObj
RangeTypeKeyword :=
    ISAOnlyRanges | NonISAOnlyRanges | EntireRange
ReadWriteKeyword :=
    ReadWrite | ReadOnly
RegionSpaceKeyword :=
    UserDefRegionSpace | SystemIO | SystemMemory | PCI_Config | EmbeddedControl | SMBus |
    SystemCMOS | PciBarTarget | IPMI
ResourceTypeKeyword :=
    ResourceConsumer | ResourceProducer
SerializeRuleKeyword :=
    Serialized | NotSerialized
ShareTypeKeyword :=
    Shared | Exclusive
TranslationKeyword :=
    SparseTranslation | DenseTranslation
TypeKeyword :=
    TypeTranslation | TypeStatic
UpdateRuleKeyword :=
    Preserve | WriteAsOnes | WriteAsZeros
UserDefRegionSpace :=
    IntegerData => 0x80 - 0xFF
XferTypeKeyword :=
    Transfer8 | Transfer16 | Transfer8_16

```

### 18.1.8 ASL Resource Template Terms

```

ResourceTemplateTerm :=
    ResourceTemplate () {ResourceMacroList} => Buffer

ResourceMacroList :=
    Nothing | <ResourceMacroTerm ResourceMacroList>
ResourceMacroTerm :=
    DMATerm | DWordIOTerm | DWordMemoryTerm | DWordSpaceTerm | EndDependentFnTerm |
    ExtendedIOTerm | ExtendedMemoryTerm | ExtendedSpaceTerm | FixedIOTerm | InterruptTerm
    | IOTerm | IRQNoFlagsTerm | IRQTerm | Memory24Term | Memory32FixedTerm | Memory32Term
    | QWordIOTerm | QWordMemoryTerm | QWordSpaceTerm | RegisterTerm | StartDependentFnTerm
    | StartDependentFnNoPriTerm | VendorLongTerm | VendorShortTerm | WordBusNumberTerm |
    WordIOTerm | WordSpaceTerm

DMATerm :=
    DMA (
        DMAType,           // DMATypeKeyword (_TYP)
        BusMaster,         // BusMasterKeyword (_BM)
        XferType,          // XferTypeKeyword (_SIZ)
        DescriptorName     // Nothing | NameString
    ) {ByteList}          // List of channels (0-7 bytes)

```



```

DWordIOTerm :=
  DWordIO (
    ResourceUsage,          // Nothing (ResourceConsumer) | ResourceTypeKeyword
    MinType,                // Nothing (MinNotFixed) | MinKeyword (_MIF)
    MaxType,                // Nothing (MaxNotFixed) | MaxKeyword (_MAF)
    Decode,                 // Nothing (PosDecode) | DecodeKeyword (_DEC)
    RangeType,              // Nothing (EntireRange) | RangeTypeKeyword (_RNG)
    AddressGranularity,     // DWordConstExpr (_GRA)
    MinAddress,             // DWordConstExpr (_MIN)
    MaxAddress,             // DWordConstExpr (_MAX)
    AddressTranslation,     // DWordConstExpr (_TRA)
    AddressLength,         // DWordConstExpr (_LEN)
    ResourceSourceIndex,   // Nothing | ByteConstExpr
    ResourceSource,        // Nothing | StringData
    DescriptorName,        // Nothing | NameString
    TranslationType,       // Nothing | TypeKeyword (_TTP)
    TranslationDensity     // Nothing | TranslationKeyword (_TRS)
  )

DWordMemoryTerm :=
  DWordMemory (
    ResourceUsage,          // Nothing (ResourceConsumer) | ResourceTypeKeyword
    Decode,                 // Nothing (PosDecode) | DecodeKeyword (_DEC)
    MinType,                // Nothing (MinNotFixed) | MinKeyword (_MIF)
    MaxType,                // Nothing (MaxNotFixed) | MaxKeyword (_MAF)
    MemType,                // Nothing (NonCacheable) | MemTypeKeyword (_MEM)
    ReadWriteType,         // ReadWriteKeyword (_RW)
    AddressGranularity,     // DWordConstExpr (_GRA)
    MinAddress,             // DWordConstExpr (_MIN)
    MaxAddress,             // DWordConstExpr (_MAX)
    AddressTranslation,     // DWordConstExpr (_TRA)
    AddressLength,         // DWordConstExpr (_LEN)
    ResourceSourceIndex,   // Nothing | ByteConstExpr
    ResourceSource,        // Nothing | StringData
    DescriptorName,        // Nothing | NameString
    AddressRange,          // Nothing | AddressKeyword (_MTP)
    MemoryType             // Nothing | TypeKeyword (_TTP)
  )

DWordSpaceTerm :=
  DWordSpace (
    ResourceType,          // ByteConstExpr (_RT), 0xC0 - 0xFF
    ResourceUsage,          // Nothing (ResourceConsumer) | ResourceTypeKeyword
    Decode,                 // Nothing (PosDecode) | DecodeKeyword (_DEC)
    MinType,                // Nothing (MinNotFixed) | MinKeyword (_MIF)
    MaxType,                // Nothing (MaxNotFixed) | MaxKeyword (_MAF)
    TypeSpecificFlags,     // ByteConstExpr (_TSF)
    AddressGranularity,     // DWordConstExpr (_GRA)
    MinAddress,             // DWordConstExpr (_MIN)
    MaxAddress,             // DWordConstExpr (_MAX)
    AddressTranslation,     // DWordConstExpr (_TRA)
    AddressLength,         // DWordConstExpr (_LEN)
    ResourceSourceIndex,   // Nothing | ByteConstExpr
    ResourceSource,        // Nothing | StringData
    DescriptorName         // Nothing | NameString
  )

EndDependentFnTerm :=
  EndDependentFn ( )

```

```

ExtendedIOTerm :=
    ExtendedIO (
        ResourceUsage,           // Nothing (ResourceConsumer) | ResourceTypeKeyword
        MinType,                 // Nothing (MinNotFixed) | MinKeyword (_MIF)
        MaxType,                 // Nothing (MaxNotFixed) | MaxKeyword (_MAF)
        Decode,                  // Nothing (PosDecode) | DecodeKeyword (_DEC)
        RangeType,               // Nothing (EntireRange) | RangeTypeKeyword (_RNG)
        AddressGranularity,      // QWordConstExpr (_GRA)
        MinAddress,              // QWordConstExpr (_MIN)
        MaxAddress,              // QWordConstExpr (_MAX)
        AddressTranslation,      // QWordConstExpr (_TRA)
        AddressLength,          // QWordConstExpr (_LEN)
        TypeSpecificAttributes,  // Nothing | QWordConstExpr
        DescriptorName,          // Nothing | NameString
        TranslationType,         // Nothing | TypeKeyword (_TTP)
        TranslationDensity       // Nothing | TranslationKeyword (_TRS)
    )

ExtendedMemoryTerm :=
    ExtendedMemory (
        ResourceUsage,           // Nothing (ResourceConsumer) | ResourceTypeKeyword
        Decode,                  // Nothing (PosDecode) | DecodeKeyword (_DEC)
        MinType,                 // Nothing (MinNotFixed) | MinKeyword (_MIF)
        MaxType,                 // Nothing (MaxNotFixed) | MaxKeyword (_MAF)
        MemType,                 // Nothing (NonCacheable) | MemTypeKeyword (_MEM)
        ReadWriteType,          // ReadWriteKeyword (_RW)
        AddressGranularity,      // QWordConstExpr (_GRA)
        MinAddress,              // QWordConstExpr (_MIN)
        MaxAddress,              // QWordConstExpr (_MAX)
        AddressTranslation,      // QWordConstExpr (_TRA)
        AddressLength,          // QWordConstExpr (_LEN)
        TypeSpecificAttributes,  // Nothing | QWordConstExpr
        DescriptorName,          // Nothing | NameString
        MemoryType,             // Nothing | AddressKeyword (_MTP)
        TranslationType         // Nothing | TypeKeyword (_TTP)
    )

ExtendedSpaceTerm :=
    ExtendedSpace (
        ResourceType,           // ByteConstExpr (_RT), 0xC0 - 0xFF
        ResourceUsage,           // Nothing (ResourceConsumer) | ResourceTypeKeyword
        Decode,                  // Nothing (PosDecode) | DecodeKeyword (_DEC)
        MinType,                 // Nothing (MinNotFixed) | MinKeyword (_MIF)
        MaxType,                 // Nothing (MaxNotFixed) | MaxKeyword (_MAF)
        TypeSpecificFlags,      // ByteConstExpr (_TSF)
        AddressGranularity,      // QWordConstExpr (_GRA)
        MinAddress,              // QWordConstExpr (_MIN)
        MaxAddress,              // QWordConstExpr (_MAX)
        AddressTranslation,      // QWordConstExpr (_TRA)
        AddressLength,          // QWordConstExpr (_LEN)
        TypeSpecificAttributes,  // Nothing | QWordConstExpr (_ATT)
        DescriptorName           // Nothing | NameString
    )

FixedIOTerm :=
    FixedIO (
        AddressBase,             // WordConstExpr (_BAS)
        RangeLength,             // ByteConstExpr (_LEN)
        DescriptorName           // Nothing | NameString
    )

InterruptTerm :=
    Interrupt (
        ResourceType,           // Nothing (ResourceConsumer) | ResourceTypeKeyword
        InterruptType,           // InterruptTypeKeyword (_LL, _HE)
        InterruptLevel,         // InterruptLevelKeyword (_LL, _HE)
        ShareType,               // Nothing (Exclusive) ShareTypeKeyword (_SHR)
        ResourceSourceIndex,     // Nothing | ByteConstExpr
        ResourceSource,          // Nothing | StringData
        DescriptorName           // Nothing | NameString
    ) {DWordList} // list of interrupts (_INT)

```

```

IOTerm :=
    IO (
        IODecode,           // IODecodeKeyword (_DEC)
        MinAddress,        // WordConstExpr (_MIN)
        MaxAddress,        // WordConstExpr (_MAX)
        Alignment,         // ByteConstExpr (_ALN)
        RangeLength,       // ByteConstExpr (_LEN)
        DescriptorName     // Nothing | NameString
    )

IRQNoFlagsTerm :=
    IRQNoFlags (
        DescriptorName     // Nothing | NameString
    ) {ByteList}         // list of interrupts (0-15 bytes)

IRQTerm :=
    IRQ (
        InterruptType,     // InterruptTypeKeyword (_LL, _HE)
        InterruptLevel,    // InterruptLevelKeyword (_LL, _HE)
        ShareType,         // Nothing (Exclusive) | ShareTypeKeyword (_SHR)
        DescriptorName     // Nothing | NameString
    ) {ByteList}         // list of interrupts (0-15 bytes)

Memory24Term :=
    Memory24 (
        ReadWriteType,     // ReadWriteKeyword (_RW)
        MinAddress[23:8],  // WordConstExpr (_MIN)
        MaxAddress[23:8],  // WordConstExpr (_MAX)
        Alignment,         // WordConstExpr (_ALN)
        RangeLength,       // WordConstExpr (_LEN)
        DescriptorName     // Nothing | NameString
    )

Memory32FixedTerm :=
    Memory32Fixed (
        ReadWriteType,     // ReadWriteKeyword (_RW)
        AddressBase,       // DWordConstExpr (_BAS)
        RangeLength,       // DWordConstExpr (_LEN)
        DescriptorName     // Nothing | NameString
    )

Memory32Term :=
    Memory32 (
        ReadWriteType,     // ReadWriteKeyword (_RW)
        MinAddress,        // DWordConstExpr (_MIN)
        MaxAddress,        // DWordConstExpr (_MAX)
        Alignment,         // DWordConstExpr (_ALN)
        RangeLength,       // DWordConstExpr (_LEN)
        DescriptorName     // Nothing | NameString
    )

QWordIOTerm :=
    QWordIO (
        ResourceUsage,     // Nothing (ResourceConsumer) | ResourceTypeKeyword
        MinType,           // Nothing (MinNotFixed) | MinKeyword (_MIF)
        MaxType,           // Nothing (MaxNotFixed) | MaxKeyword (_MAF)
        Decode,            // Nothing (PosDecode) | DecodeKeyword (_DEC)
        RangeType,         // Nothing (EntireRange) | RangeTypeKeyword (_RNG)
        AddressGranularity, // QWordConstExpr (_GRA)
        MinAddress,        // QWordConstExpr (_MIN)
        MaxAddress,        // QWordConstExpr (_MAX)
        AddressTranslation, // QWordConstExpr (_TRA)
        AddressLength,     // QWordConstExpr (_LEN)
        ResourceSourceIndex, // Nothing | ByteConstExpr
        ResourceSource,    // Nothing | StringData
        DescriptorName,    // Nothing | NameString
        TranslationType,   // Nothing | TypeKeyword (_TTP)
        TranslationDensity // Nothing | TranslationKeyword (_TRS)
    )

```

```

QWordMemoryTerm :=
  QWordMemory (
    ResourceUsage,           // Nothing (ResourceConsumer) | ResourceTypeKeyword
    Decode,                 // Nothing (PosDecode) | DecodeKeyword (_DEC)
    MinType,                // Nothing (MinNotFixed) | MinKeyword (_MIF)
    MaxType,                // Nothing (MaxNotFixed) | MaxKeyword (_MAF)
    MemType,                // Nothing (NonCacheable) | MemTypeKeyword (_MEM)
    ReadWriteType,         // ReadWriteKeyword (_RW)
    AddressGranularity,     // QWordConstExpr (_GRA)
    MinAddress,             // QWordConstExpr (_MIN)
    MaxAddress,             // QWordConstExpr (_MAX)
    AddressTranslation,     // QWordConstExpr (_TRA)
    AddressLength,         // QWordConstExpr (_LEN)
    ResourceSourceIndex,   // Nothing | ByteConstExpr
    ResourceSource,        // Nothing | StringData
    DescriptorName,        // Nothing | NameString
    AddressRange,          // Nothing | AddressKeyword (_MTP)
    MemoryType             // Nothing | TypeKeyword (_TTP)
  )

QWordSpaceTerm :=
  QWordSpace (
    ResourceType,          // ByteConstExpr (_RT), 0xC0 - 0xFF
    ResourceUsage,         // Nothing (ResourceConsumer) | ResourceTypeKeyword
    Decode,                 // Nothing (PosDecode) | DecodeKeyword (_DEC)
    MinType,                // Nothing (MinNotFixed) | MinKeyword (_MIF)
    MaxType,                // Nothing (MaxNotFixed) | MaxKeyword (_MAF)
    TypeSpecificFlags,     // ByteConstExpr (_TSF)
    AddressGranularity,     // QWordConstExpr (_GRA)
    MinAddress,             // QWordConstExpr (_MIN)
    MaxAddress,             // QWordConstExpr (_MAX)
    AddressTranslation,     // QWordConstExpr (_TRA)
    AddressLength,         // QWordConstExpr (_LEN)
    ResourceSourceIndex,   // Nothing | ByteConstExpr
    ResourceSource,        // Nothing | StringData
    DescriptorName         // Nothing | NameString
  )

RegisterTerm :=
  Register (
    AddressSpaceID,        // AddressSpaceKeyword (_ASI)
    RegisterBitWidth,     // ByteConstExpr (_RBW)
    RegisterOffset,       // ByteConstExpr (_RBO)
    RegisterAddress,       // QWordConstExpr (_ADR)
    AccessSize,           // ByteConstExpr (_ASZ)
    DescriptorName        // Nothing | NameString
  )

StartDependentFnNoPriTerm :=
  StartDependentFnNoPri ( ) {ResourceMacroList}

StartDependentFnTerm :=
  StartDependentFn (
    CompatPriority,        // ByteConstExpr (0-2)
    PerfRobustPriority     // ByteConstExpr (0-2)
  ) {ResourceMacroList}

VendorLongTerm :=
  VendorLong (
    DescriptorName        // Nothing | NameString
  ) {ByteList}

VendorShortTerm :=
  VendorShort (
    DescriptorName        // Nothing | NameString
  ) {ByteList} // Up to 7 bytes

```

```

WordBusNumberTerm :=
  WordBusNumber (
    ResourceUsage,           // Nothing (ResourceConsumer) | ResourceTypeKeyword
    MinType,                 // Nothing (MinNotFixed) | MinKeyword (_MIF)
    MaxType,                 // Nothing (MaxNotFixed) | MaxKeyword (_MAF)
    Decode,                  // Nothing (PosDecode) | DecodeKeyword (_DEC)
    AddressGranularity,     // WordConstExpr (_GRA)
    MinAddress,              // WordConstExpr (_MIN)
    MaxAddress,              // WordConstExpr (_MAX)
    AddressTranslation,     // WordConstExpr (_TRA)
    AddressLength,          // WordConstExpr (_LEN)
    ResourceSourceIndex,    // Nothing | ByteConstExpr
    ResourceSource,         // Nothing | StringData
    DescriptorName          // Nothing | NameString
  )

WordIOTerm :=
  WordIO (
    ResourceUsage,           // Nothing (ResourceConsumer) | ResourceTypeKeyword
    MinType,                 // Nothing (MinNotFixed) | MinKeyword (_MIF)
    MaxType,                 // Nothing (MaxNotFixed) | MaxKeyword (_MAF)
    Decode,                  // Nothing (PosDecode) | DecodeKeyword (_DEC)
    RangeType,              // Nothing (EntireRange) | RangeTypeKeyword (_RNG)
    AddressGranularity,     // WordConstExpr (_GRA)
    MinAddress,              // WordConstExpr (_MIN)
    MaxAddress,              // WordConstExpr (_MAX)
    AddressTranslation,     // WordConstExpr (_TRA)
    AddressLength,          // WordConstExpr (_LEN)
    ResourceSourceIndex,    // Nothing | ByteConstExpr
    ResourceSource,         // Nothing | StringData
    DescriptorName,         // Nothing | NameString
    TranslationType,        // Nothing | TypeKeyword (_TTP)
    TranslationDensity      // Nothing | TranslationKeyword (_TRS)
  )

WordSpaceTerm :=
  WordSpace (
    ResourceType,           // ByteConstExpr (_RT), 0xC0 - 0xFF
    ResourceUsage,          // Nothing (ResourceConsumer) | ResourceTypeKeyword
    Decode,                  // Nothing (PosDecode) | DecodeKeyword (_DEC)
    MinType,                 // Nothing (MinNotFixed) | MinKeyword (_MIF)
    MaxType,                 // Nothing (MaxNotFixed) | MaxKeyword (_MAF)
    TypeSpecificFlags,      // ByteConstExpr (_TSF)
    AddressGranularity,     // WordConstExpr (_GRA)
    MinAddress,              // WordConstExpr (_MIN)
    MaxAddress,              // WordConstExpr (_MAX)
    AddressTranslation,     // WordConstExpr (_TRA)
    AddressLength,          // WordConstExpr (_LEN)
    ResourceSourceIndex,    // Nothing | ByteConstExpr
    ResourceSource,         // Nothing | StringData
    DescriptorName          // Nothing | NameString
  )

```

## 18.2 ASL Concepts

This reference section is for developers who are writing ASL code while developing definition blocks for platforms.

### 18.2.1 ASL Names

This section describes how to encode object names using ASL.

The following table lists the characters legal in any position in an ASL object name. ASL names are not case-sensitive and will be converted to upper case.

**Table 18-2 Named Object Reference Encodings**

Value	Description	Title
0x41-0x5A, 0x5F, 0x61-0x7A	Lead character of name (‘A’-‘Z’, ‘_’, ‘a’-‘z’)	LeadNameChar
0x30-0x39, 0x41-0x5A, 0x5F, 0x61-0x7A	Non-lead (trailing) character of name (‘A’-‘Z’, ‘_’, ‘a’-‘z’, ‘0’-‘9’)	NameChar

The following table lists the name modifiers that can be prefixed to an ASL name.

**Table 18-3 Definition Block Name Modifier Encodings**

Value	Description	NamePrefix :=	Followed by ...
0x5C	Namespace root (‘\’)	RootPrefix	Name
0x5E	Parent namespace (‘^’)	ParentPrefix	ParentPrefix or Name

#### 18.2.1.1 \_T\_x Reserved Object Names

The ACPI specification reserves object names with the prefix `_T_` for internal use by the ASL compiler. The ASL compiler may, for example, use these objects to store temporary values when implementing translation of complicated control structures into AML. The ASL compiler must declare `_T_x` objects normally (using Name) and must not define them more than once within the same scope.

### 18.2.2 ASL Literal Constants

This section describes how to encode integer and string constants using ASL.

#### 18.2.2.1 Integers

```

DigitChar      := '0'-'9'
LeadDigitChar  := '1'-'9'
OctalDigitChar := '0'-'7'
HexDigitChar   := DigitChar | 'A'-'F' | 'a'-'f'

Integer        := DecimalConst | OctalConst | HexConst
DecimalConst   := LeadDigitChar | <DecimalConst DigitChar>
OctalConst     := '0' | <OctalConst OctalDigitChar>
HexConst       := <0x HexDigitChar> | <0X HexDigitChar> | <HexConst HexDigitChar>
ByteConst      := Integer => 0x00-0xFF
WordConst      := Integer => 0x0000-0xFFFF
DWordConst     := Integer => 0x00000000-0xFFFFFFFF
QWordConst     := Integer => 0x0000000000000000-0xFFFFFFFFFFFFFFFF

```

Numeric constants can be specified in decimal, octal, or hexadecimal. Octal constants are preceded by a leading zero (0), and hexadecimal constants are preceded by a leading zero and either a lower or upper case 'x'. In some cases, the grammar specifies that the number must evaluate to an integer within a limited range, such as 0x00–0xFF, and so on.

### 18.2.2.2 Strings

```
String          := `'' Utf8CharList `''
Utf8CharList   := Nothing | <EscapeSequence Utf8CharList> | <Utf8Char Utf8CharList>
Utf8Char       := 0x01-0x21 |
                  0x23-0x5B |
                  0x5D-0x7F |
                  0xC2-0xDF 0x80-0xBF |
                  0xE0 0xA0-0xBF 0x80-0xBF |
                  0xE1-0xEC 0x80-0xBF 0x80-0xBF |
                  0xED 0x80-0x9F 0x80-0xBF |
                  0xEE-0xEF 0x80-0xBF 0x80-0xBF |
                  0xF0 0x90-0xBF 0x80-0xBF 0x80-0xBF |
                  0xF1-0xF3 0x80-0xBF 0x80-0xBF 0x80-0xBF |
                  0xF4 0x80-0x8F 0x80-0xBF 0x80-0xBF
EscapeSeq      := SimpleEscapeSeq | OctalEscapeSeq | HexEscapeSeq
SimpleEscapeSeq := \' | \" | \a | \b | \f | \n | \r | \t | \v | \\
OctalEscapeSeq := \ OctalDigitChar |
                  \ OctalDigitChar OctalDigitChar |
                  \ OctalDigitChar OctalDigitChar OctalDigitChar
HexEscapeSeq   := \x HexDigitChar |
                  \x HexDigitChar HexDigitChar
NullChar       := 0x00
```

String literals consist of zero or more ASCII characters surrounded by double quotation marks ("). A string literal represents a sequence of characters that, taken together, form a null-terminated string. After all adjacent strings in the constant have been concatenated, a null character is appended.

Strings in the source file may be encoded using the UTF-8 encoding scheme as defined in the Unicode 4.0 specification. UTF-8 is a byte-oriented encoding scheme, where some characters take a single byte and others take multiple bytes. The ASCII character values 0x01-0x7F take up exactly one byte.

However, only one operator currently supports UTF-8 strings: Unicode. Since string literals are defined to contain only non-null character values, both Hex and Octal escape sequence values must be non-null values in the ASCII range 0x01 through 0xFF. For arbitrary byte data (outside the range of ASCII values), the **Buffer** object should be used instead.

Since the backslash is used as the escape character and also the namespace root prefix, any string literals that are to contain a fully qualified namepath from the root of the namespace must use the double backslash to indicate this:

```
Name (_EJD, "\\_SB.PCI0.DOCK1")
```

The double backslash is only required within quoted string literals.

Since double quotation marks are used close a string, a special escape sequence (") is used to allow quotation marks within strings. Other escape sequences are listed in the table below:

**Table 18-4 ASL Escape Sequences**

Escape Sequence	ASCII Character
\a	0x07 (BEL)
\b	0x08 (BS)
\f	0x0C (FF)
\n	0x0A (LF)
\r	0x0D (CR)
\t	0x09 (TAB)
\v	0x0B (VT)
\"	0x22 (")
\'	0x27 (')
\\	0x5C (\)

Since literal strings are read-only constants, the following ASL statement (for example) is not supported:

```
Store ("ABC", "DEF")
```

However, the following sequence of statements is supported:

```
Name (STR, "DEF")
...
Store ("ABC", STR)
```

### 18.2.3 ASL Resource Templates

ASL includes some macros for creating resource descriptors. The ResourceTemplate macro creates a Buffer in which resource descriptor macros can be listed. The ResourceTemplate macro automatically generates an End descriptor and calculates the checksum for the resource template. The format for the ResourceTemplate macro is as follows:

```
ResourceTemplate ()
{
    // List of resource macros
}
```

The following is an example of how these macros can be used to create a resource template that can be returned from a \_PRS control method:



```

Name (PRS0, ResourceTemplate ()
{
    StartDependentFn (1, 1)
    {
        IRQ (Level, ActiveLow, Shared) {10, 11}
        DMA (TypeF, NotBusMaster, Transfer16) {4}
        IO (Decode16, 0x1000, 0x2000, 0, 0x100)
        IO (Decode16, 0x5000, 0x6000, 0, 0x100, IO1)
    }
    StartDependentFn (1, 1)
    {
        IRQ (Level, ActiveLow, Shared) {}
        DMA (TypeF, NotBusMaster, Transfer16) {5}
        IO (Decode16, 0x3000, 0x4000, 0, 0x100)
        IO (Decode16, 0x5000, 0x6000, 0, 0x100, IO2)
    }
    EndDependentFn ()
})

```

Occasionally, it is necessary to change a parameter of a descriptor in an existing resource template at run-time (i.e., during a method execution.) To facilitate this, the descriptor macros optionally include a name declaration that can be used later to refer to the descriptor. When a name is declared with a descriptor, the ASL compiler will automatically create field names under the given name to refer to individual fields in the descriptor.

The offset returned by a reference to a resource descriptor field name is either in units of bytes (for 8-, 16-, 32-, and 64-bit field widths) or in bits (for all other field widths). In all cases, the returned offset is the integer offset (in either bytes or bits) of the name from the first byte (offset 0) of the parent resource template.

For example, given the above resource template, the following code changes the minimum and maximum addresses for the I/O descriptor named IO2:

```

CreateWordField (PRS0, IO2._MIN, IMIN)
Store (0xA000, IMIN)

CreateWordField (PRS0, IO2._MAX, IMAX)
Store (0xB000, IMAX)

```

The resource template macros for each of the resource descriptors are listed below, after the table that defines the resource descriptor. The resource template macros are formally defined in section 15, “Memory.”

The reserved names (such as `_MIN` and `_MAX`) for the fields of each resource descriptor are defined in the appropriate table entry of the table that defines that resource descriptor.

### 18.2.4 ASL Macros

The ASL compiler supports some built in macros to assist in various ASL coding operations. The following table lists some of the supported directives and an explanation of their function.

**Table 18-5 Example ASL Built-in Macros**

ASL Statement	Description
<b>AccessAs</b> ( <i>AccessType</i> , <i>AccessAttribute</i> )	Used in a <i>FieldList</i> parameter to supply the Access Type and Access Attributes of the remaining FieldUnits within the list (or until another AccessType macro is encountered.)
<b>Offset</b> ( <i>ByteOffset</i> )	Used in a <i>FieldList</i> parameter to supply the <i>byteOffset</i> of the next defined field within its parent region. This can be used instead of defining the bit lengths that need to be skipped. All offsets are defined from beginning to end of a region.
<b>EISAID</b> ( <i>TextID</i> )	Converts the 7-character text argument into its corresponding 4-byte numeric EISA ID encoding. This can be used when declaring IDs for devices that are EISA IDs.
<b>ResourceTemplate</b> ()	Used to supply Plug and Play resource descriptor information in human readable form, which is then translated into the appropriate binary Plug and Play resource descriptor encodings. For more information about resource descriptor encodings, see section 6.4, “Resource Data Types for ACPI.”
<b>ToUUID</b> ( <i>AsciiString</i> )	Converts an ASCII string to a 128-bit buffer.
<b>Unicode</b> ( <i>StringData</i> )	Converts an ASCII string to a Unicode string contained in a buffer.

## 18.2.5 ASL Data Types

ASL provides a wide variety of data types and operators that manipulate data. It also provides mechanisms for both explicit and implicit conversion between the data types when used with ASL operators.

The table below describes each of the available data types.

**Table 18-6 Summary of ASL Data Types**

ASL Data Type	Description
[Uninitialized]	No assigned type or value. This is the type of all control method LocalX variables and unused ArgX variables at the beginning of method execution, as well as all uninitialized Package elements. Uninitialized objects must be initialized (via Store or CopyObject) before they may be used as source operands in ASL expressions.
Buffer	An array of bytes. Uninitialized elements are zero by default.
Buffer Field	Portion of a buffer created using CreateBitField, CreateByteField, CreateWordField, CreateQWordField, CreateField, or returned by the Index operator.
DDB Handle	Definition block handle returned by the Load operator
Debug Object	Debug output object. Formats an object and prints it to the system debug port. Has no effect if debugging is not active.
Device	Device or bus object
Event	Event synchronization object
Field Unit (within an Operation Region)	Portion of an address space, bit-aligned and of one-bit granularity. Created using Field, BankField, or IndexField.
Integer	An <i>n</i> -bit little-endian unsigned integer. In ACPI 1.0 this was 32 bits. In ACPI 2.0 and later, this is 64 bits. The Integer (DWORD) designation indicates that only the lower 32 bits have meaning and the upper 32 bits of 64-bit integers must be zero (masking of upper bits is not required).
Integer Constant	Created by the ASL terms “Zero”, “One”, “Ones”, and “Revision”.
Method	Control Method (Executable AML function)
Mutex	Mutex synchronization object
Object Reference	Reference to an object created using the RefOf, Index, or CondRefOf operators
Operation Region	Operation Region (A region within an Address Space)
Package	Collection of ASL objects with a fixed number of elements (up to 255).
Power Resource	Power Resource description object
Processor	Processor description object
String	Null-terminated ASCII string.
Thermal Zone	Thermal Zone description object

**Compatibility Note:** The ability to store and manipulate object references was first introduced in ACPI 2.0. In ACPI 1.0 references could not be stored in variables, passed as parameters or returned from functions.

### 18.2.5.1 Data Type Conversion Overview

ASL provides two mechanisms to convert objects from one data type to another data type at run-time (during execution of the AML interpreter). The first mechanism, *Explicit Data Type Conversion*, allows the use of explicit ASL operators to convert an object to a different data type. The second mechanism, *Implicit Data Type Conversion*, is invoked by the AML interpreter when it is necessary to convert a data object to an expected data type before it is used or stored.

The following general rules apply to data type conversions:

- Input parameters are always subject to implicit data type conversion (also known as implicit source operand conversion) whenever the operand type does not match the expected input type.
- Output (target) parameters for all operators except the explicit data conversion operators are subject to implicit data type conversion (also known as implicit result object conversion) whenever the target is an existing named object or named field that is of a different type than the object to be stored.
- Output parameters for the explicit data conversion operators, as well as output parameters that refer to a method local or argument (LocalX or ArgX) are not subject to implicit type conversion.

Both of these mechanisms (explicit and implicit conversion) are described in detail in the sections that follow.

### 18.2.5.2 Explicit Data Type Conversions

The following ASL operators are provided to *explicitly* convert an object from one data type to another:

- **EISAID** Converts a 7-character text argument into its corresponding 4-byte numeric EISA ID encoding.
- **FromBCD** Convert an Integer to a BCD Integer
- **ToBCD** Convert a BCD Integer to a standard binary Integer.
- **ToBuffer** Convert an Integer, String, or Buffer to an object of type Buffer
- **ToDecimalString** Convert an Integer, String, or Buffer to an object of type String. The string contains the ASCII representation of the decimal value of the source operand.
- **ToHexString** Convert an Integer, String, or Buffer to an object of type String. The string contains the ASCII representation of the hexadecimal value of the source operand.
- **ToInteger** Convert an Integer, String, or Buffer to an object of type Integer.
- **ToString** Copy directly and convert a Buffer to an object of type String.
- **ToUUID** Convert an ASCII string to a UUID Buffer.

The following ASL operators are provided to copy and transfer objects:

- **CopyObject** Explicitly store a copy of the operand object to the target name. No implicit type conversion is performed. (This operator is used to avoid the implicit conversion inherent in the ASL Store operator.)
- **Store** Store a copy of the operand object to the target name. Implicit conversion is performed if the target name is of a fixed data type (see below). However, Stores to method locals and arguments do not perform implicit conversion and are therefore the same as using CopyObject.

### 18.2.5.3 Implicit Data Type Conversions

Automatic or *Implicit* type conversions can take place at two different times during the execution of an ASL operator. First, it may be necessary to convert one or more of the source operands to the data type(s) expected by the ASL operator. Second, the result of the operation may require conversion before it is stored into the destination. (Many of the ASL operators can store their result optionally into an object specified by the last parameter. In these operators, if the destination is specified, the action is exactly as if a Store operator had been used to place the result in the destination.)

Such data conversions are performed by an AML interpreter during execution of AML code and are known collectively as *Implicit Operand Conversions*. As described briefly above, there are two different types of implicit operand conversion:

1. Conversion of a source operand from a mismatched data type to the correct data type required by an ASL operator, called *Implicit Source Conversion*. This conversion occurs when a source operand must be converted to the operand type expected by the operator. Any or all of the source operands may be converted in this manner before the execution of the ASL operator can proceed.
2. Conversion of the result of an operation to the existing type of a target operand before it is stored into the target operand, called *Implicit Result Conversion*. This conversion occurs when the target is a fixed type such as a named object or a field. When storing to a method Local or Arg, no conversion is required because these data types are of variable type (the store simply overwrites any existing object and the existing type).

### 18.2.5.4 Implicit Source Operand Conversion

During the execution of an ASL operator, each source operand is processed by the AML interpreter as follows:

- If the operand is of the type expected by the operator, no conversion is necessary.
- If the operand type is incorrect, attempt to convert it to the proper type.
- For the Concatenate operator and logical operators (LEqual, LGreater, LGreaterEqual, LLess, LLessEqual, and LNotEqual), the data type of the first operand dictates the required type of the second operand, and for Concatenate only, the type of the result object. (The second operator is implicitly converted, if necessary, to match the type of the first operand.)
- If conversion is impossible, abort the running control method and issue a fatal error.

An implicit source conversion will be attempted anytime a source operand contains a data type that is different than the type expected by the operator. For example:

```
Store ("5678", Local1)
Add (0x1234, Local1, BUF1)
```

In the Add statement above, *Local1* contains a String object and must undergo conversion to an Integer object before the Add operation can proceed.

In some cases, the operator may take more than one type of operand (such as Integer and String). In this case, depending on the type of the operand, the highest priority conversion is applied. The table below describes the source operand conversions available. For example:

```
Store (Buffer (1) {}, Local0)
Name (ABCD, Buffer (10) {1, 2, 3, 4, 5, 6, 7, 8, 9, 0})
CreateDWordField (ABCD, 2, XYZ)
Name (MNOP, "1234")
Concatenate (XYZ, MNOP, Local0)
```

The Concatenate operator can take an Integer, Buffer or String for its first two parameters and the type of the first parameter determines how the second parameter will be converted. In this example, the first parameter is of type Buffer Field (from the CreateDWordField operator). What should it be converted to: Integer, Buffer or String? According to Table 18-7, the highest priority conversion is to Integer. Therefore, both of the following objects will be converted to Integers:

```
XYZ (0x05040302)
MNOP (0x31, 0x32, 0x33, 0x34)
```

And will then be joined together and the resulting type and value will be:

```
Buffer (0x02, 0x03, 0x04, 0x05, 0x31, 0x32, 0x33, 0x34)
```

### 18.2.5.5 Implicit Result Object Conversion

For all ASL operators that generate and store a result value (including the Store operator), the result object is processed and stored by the AML interpreter as follows:

- If the ASL operator is one of the *explicit* conversion operators (ToString, ToInteger, etc., and the CopyObject operator), no conversion is performed. (In other words, the result object is stored directly to the target and completely overwrites any existing object already stored at the target.)
- If the target is a method local or argument (LocalX or ArgX), no conversion is performed and the result is stored directly to the target.
- If the target is a fixed type such as a named object or field object, an attempt is made to convert the source to the existing target type before storing.
- If conversion is impossible, abort the running control method and issue a fatal error.

An implicit result conversion can occur anytime the result of an operator is stored into an object that is of a fixed type. For example:

```
Name (BUF1, Buffer (10))
Add (0x1234, 0x789A, BUF1)
```

Since BUF1 is a named object of fixed type *Buffer*, the Integer result of the Add operation must be converted to a Buffer before it is stored into BUF1.

### 18.2.5.6 Data Types and Type Conversions

The following table lists the available ASL data types and the available data type conversions (if any) for each. The entry for each data type is fully cross-referenced, showing both the types to which the object may be converted as well as all other types that may be converted to the data type.

The allowable conversions apply to both explicit and implicit conversions.

**Table 18-7 Data Types and Type Conversions**

ASL Data Type	Can be implicitly or explicitly converted <u>to</u> these Data Types: (In priority order)	Can be implicitly or explicitly converted <u>from</u> these Data Types:
[Uninitialized]	None. Causes a fatal error when used as a source operand in any ASL statement.	Integer, String, Buffer, Package, DDB Handle, Object Reference
Buffer	Integer, String, Debug Object	Integer, String
Buffer Field	Integer, Buffer, String, Debug Object	Integer, Buffer, String
DDB Handle	Integer, Debug Object	Integer
Debug Object	None. Causes a fatal error when used as a source operand in any ASL statement.	Integer, String, Buffer, Package, Field Unit, Buffer Field, DDB Handle
Device	None	None
Event	None	None
Field Unit (within an Operation Region)	Integer, Buffer, String, Debug Object	Integer, Buffer, String
Integer	Buffer, Buffer Field, DDB Handle, Field Unit, String, Debug Object	Buffer, String
Integer Constant	Integer, Debug Object	None. Also, storing any object to a constant is a no-op, not an error.
Method	None	None
Mutex	None	None
Object Reference	None	None
Operation Region	None	None
Package	Debug Object	None
String	Integer, Buffer, Debug Object	Integer, Buffer
Power Resource	None	None
Processor	None	None
Thermal Zone	None	None

### 18.2.5.7 Data Type Conversion Rules

The following table presents the detailed data conversion rules for each of the allowable data type conversions. These conversion rules are implemented by the AML Interpreter and apply to all conversion types — explicit conversions, implicit source conversions, and implicit result conversions.

**Table 18-8 Object Conversion Rules**

<b>To convert from an object of this Data Type</b>	<b>To an object of this Data Type</b>	<b>This action is performed by the AML Interpreter:</b>
Buffer	Buffer Field	The contents of the buffer are copied to the Buffer Field. If the buffer is smaller than the size of the buffer field, it is zero extended. If the buffer is larger than the size of the buffer field, the upper bits are truncated.  Compatibility Note: This conversion was first introduced in ACPI 2.0. The behavior in ACPI 1.0 was undefined.
	Debug Object	Each buffer byte is displayed as a hexadecimal integer, delimited by spaces and/or commas.
	Field Unit	The entire contents of the buffer are copied to the Field Unit. If the buffer is larger (in bits) than the size of the Field Unit, it is broken into pieces and completely written to the Field Unit, lower chunks first. If the buffer (or the last piece of the buffer, if broken up) is smaller than the size of the Field Unit, it is zero extended before being written.
	Integer	If no integer object exists, a new integer is created. The contents of the buffer are copied to the Integer, starting with the least-significant bit and continuing until the buffer has been completely copied — up to the maximum number of bits in an Integer. The size of an Integer is indicated by the Definition Block table header's Revision field. A Revision field value less than 2 indicates that the size of an Integer is 32-bits. A value greater than or equal to 2 signifies that the size of an Integer is 64-bits. If the buffer is smaller than the size of an integer, it is zero extended. If the buffer is larger than the size of an integer, it is truncated. Conversion of a zero-length buffer to an integer is not allowed.
	String	If no string object exists, a new string is created. If the string already exists, it is completely overwritten and truncated or extended to accommodate the converted buffer exactly. The entire contents of the buffer are converted to a string of two-character hexadecimal numbers, each separated by a space. A zero-length buffer will be converted to a null (zero-length) string.
Buffer Field	[See the Integer and Buffer Rules]	If the Buffer Field is smaller than or equal to the size of an Integer (in bits), it will be treated as an Integer. Otherwise, it will be treated as a Buffer. The size of an Integer is indicated by the Definition Block table header's Revision field. A Revision field value less than 2 indicates that the size of an Integer is 32-bits. A value greater than or equal to 2 signifies that the size of an Integer is 64-bits. (See the conversion rules for the Integer and Buffer data types.)
DDB Handle	[See the Integer Rule]	The object is treated as an Integer (See conversion rules for the Integer data type.)
Field Unit	[See the	If the Field Unit is smaller than or equal to the size of an Integer (in bits),



**Table 18-8 Object Conversion Rules**

<b>To convert from an object of this Data Type</b>	<b>To an object of this Data Type</b>	<b>This action is performed by the AML Interpreter:</b>
	Integer and Buffer Rules]	it will be treated as an Integer. If the Field Unit is larger than the size of an Integer, it will be treated as a Buffer. The size of an Integer is indicated by the Definition Block table header's Revision field. A Revision field value less than 2 indicates that the size of an Integer is 32-bits. A value greater than or equal to 2 signifies that the size of an Integer is 64-bits. (See the conversion rules for the Integer and Buffer data types.)
Integer	Buffer	If no buffer object exists, a new buffer object is created based on the size of the integer (4 bytes for 32-bit integers and 8 bytes for 64-bit integers). If a buffer object already exists, the Integer overwrites the entire Buffer object. If the integer requires more bits than the size of the Buffer, then the integer is truncated before being copied to the Buffer. If the integer contains fewer bits than the size of the buffer, the Integer is zero-extended to fill the entire buffer.
	Buffer Field	The Integer overwrites the entire Buffer Field. If the integer is smaller than the size of the buffer field, it is zero-extended. If the integer is larger than the size of the buffer field, the upper bits are truncated. Compatibility Note: This conversion was first introduced in ACPI 2.0. The behavior in ACPI 1.0 was undefined.
	Debug Object	The integer is displayed as a hexadecimal value.
	Field Unit	The Integer overwrites the entire Field Unit. If the integer is smaller than the size of the buffer field, it is zero-extended. If the integer is larger than the size of the buffer field, the upper bits are truncated.
	String	If no string object exists, a new string object is created based on the size of the integer (8 characters for 32-bit integers and 16 characters for 64-bit integers). If the string already exists, it is completely overwritten and truncated or extended to accommodate the converted integer exactly. In either case, the entire integer is converted to a string of hexadecimal ASCII characters.
Package	Package	If no package object exists, a new package object is created. If the package already exists, it is completely overwritten and truncated or extended to accommodate the source package exactly. Any and all existing valid (non-null) package elements of the target package are deleted, and the entire contents of the source package are copied into the target package.
	Debug Object	Each element of the package is displayed based on its type.
String	Buffer	If no buffer object exists, a new buffer object is created. If a buffer object already exists, it is completely overwritten. If the string is longer than the buffer, the string is truncated before copying. If the string is shorter than the buffer, the remaining buffer bytes are set to zero. In either case, the string is treated as a buffer, with each ASCII string character copied to one buffer byte, including the null terminator. A null (zero-length) string will be converted to a zero-length buffer.
	Buffer Field	The string is treated as a buffer. If this buffer is smaller than the size of

**Table 18-8 Object Conversion Rules**

<b>To convert from an object of this Data Type</b>	<b>To an object of this Data Type</b>	<b>This action is performed by the AML Interpreter:</b>
		the buffer field, it is zero extended. If the buffer is larger than the size of the buffer field, the upper bits are truncated. Compatibility Note: This conversion was first introduced in ACPI 2.0. The behavior in ACPI 1.0 was undefined.
	Debug Object	Each string character is displayed as an ASCII character.
	Field Unit	Each character of the string is written, starting with the first, to the Field Unit. If the Field Unit is less than eight bits, then the upper bits of each character are lost. If the Field Unit is greater than eight bits, then the additional bits are zeroed.
	Integer	If no integer object exists, a new integer is created. The integer is initialized to the value zero and the ASCII string is interpreted as a hexadecimal constant. Each string character is interpreted as a hexadecimal value ('0'-'9', 'A'-'F', 'a'-'f'), starting with the first character as the most significant digit, and ending with the first non-hexadecimal character, end-of-string, or when the size of an integer is reached (8 characters for 32-bit integers and 16 characters for 64-bit integers). Note: the first non-hex character terminates the conversion without error, and a "0x" prefix is not allowed. Conversion of a null (zero-length) string to an integer is not allowed.

### 18.2.5.8 Rules for Storing and Copying Objects

The table below lists the actions performed when storing objects to different types of named targets. ASL provides the following types of "store" operations:

- The Store operator is used to explicitly store an object to a location, with implicit conversion support of the source object.
- Many of the ASL operators can store their result optionally into an object specified by the last parameter. In these operators, if the destination is specified, the action is exactly as if a Store operator had been used to place the result in the destination.
- The CopyObject operator is used to explicitly store a copy of an object to a location, with no implicit conversion support.

**Table 18-9 Object Storing and Copying Rules**

<b>When Storing an object of any data type to this type of Target location</b>	<b>This action is performed by the <u>Store</u> operator or any ASL operator with a <u>Target</u> operand:</b>	<b>This action is performed by the <u>CopyObject</u> operator:</b>
Method ArgX variable	The object is copied to the destination with no conversion applied, with one exception. If the ArgX contains an Object Reference, an automatic de-reference occurs and the object is copied to the target of the Object Reference instead of overwriting the contents of ArgX	
Method LocalX variable	The object is copied to the destination with no conversion applied. Even if LocalX contains an Object Reference, it is overwritten.	

When Storing an object of any data type to this type of Target location	This action is performed by the <b>Store</b> operator or any ASL operator with a <b>Target</b> operand:	This action is performed by the <b>CopyObject</b> operator:
Field Unit or Buffer Field	The object is copied to the destination after implicit result conversion is applied	Fields permanently retain their type and cannot be changed. Therefore, CopyObject can only be used to copy an object of type Integer or Buffer to fields.
Named data object	The object is copied to the destination after implicit result conversion is applied to match the existing type of the named location	The object and type are copied to the named location.

### 18.2.5.9 Rules for Reading and Writing Objects

In the descriptions below, read operations always return the actual object, not a copy of the object in order that constructs of the form:

```
Add (Local1, Local2, Local3)
```

do not create unnecessary copies of Local1 or Local2. Also, this behavior enables the call-by-reference semantics of control method invocation.

#### 18.2.5.9.1 ArgX Objects

##### 1) Read from ArgX parameters

- **ObjectReference** - Automatic dereference, return the target of the reference. Use of DeRefOf returns the same.
- **Buffer** – Return the Buffer. Can create an Index, Field, or Reference to the buffer.
- **Package** – Return the Package. Can create an Index or Reference to the package.
- **All other object types** – Return the object.

Example method invocation for the table below:

```
MTHD (RefOf (Obj), Buf, Pkg, Obj)
```

Table 18-10 Reading from ArgX Objects

Parameter	MTHD ArgX Type	Read operation on ArgX	Result of read
RefOf ( <i>Obj</i> ),	Reference to object <i>Obj</i>	Store (Arg0, ...) CopyObject (Arg0, ...) DeRefOf (Arg0)	<i>Obj</i> <i>Obj</i> <i>Obj</i>
<i>Buf</i> ,	Buffer	Store (Arg1, ...) CopyObject (Arg1, ...) Index (Arg1, ...) Field (Arg1, ...)	<i>Buf</i> <i>Buf</i> Index ( <i>Buf</i> ) Field ( <i>Buf</i> )
<i>Pkg</i>	Package	Store (Arg2, ...) CopyObject (Arg2, ...) Index (Arg2, ...)	<i>Pkg</i> <i>Pkg</i> Index ( <i>Pkg</i> )
<i>Obj</i>	All other object types	Store (Arg3, ...) CopyObject (Arg3, ...)	<i>Obj</i> <i>Obj</i>

**2) Store to ArgX parameters**

- **ObjectReference** objects - Automatic dereference, copy the object and overwrite the final target.
- **All other object types**- Copy the object and overwrite the ArgX variable. (Direct writes to buffer or package ArgX parameters will also simply overwrite ArgX)

**Table 18-11 Writing to ArgX Objects**

Current type of ArgX	Object to be written	Write operation on ArgX	Result of write (in ArgX)
RefOf ( <i>OldObj</i> )	<i>Obj</i> (Any type)	Store (... , ArgX) CopyObject (... , ArgX)	RefOf (copy of <i>Obj</i> ) RefOf (copy of <i>Obj</i> )
All other object types	<i>Obj</i> (Any type)	Store (... , ArgX) CopyObject (... , ArgX)	Copy of <i>Obj</i> Copy of <i>Obj</i>

Note: RefOf (ArgX) returns a reference to ArgX.

**18.2.5.9.2 LocalX Objects****1) Read from LocalX variables**

- **ObjectReference** - If performing a DeRefOf return the target of the reference. Otherwise, return the reference.
- **All other object types** - Return a the object

**Table 18-12 Reading from LocalX Objects**

Current LocalX Type	Read operation on LocalX	Result of read
RefOf ( <i>Obj</i> )	Store (LocalX, ...) CopyObject (LocalX, ...) DeRefOf (LocalX)	RefOf ( <i>Obj</i> ) RefOf ( <i>Obj</i> ) <i>Obj</i>
<i>Obj</i> (All other types)	Store (LocalX, ...) CopyObject (LocalX, ...)	<i>Obj</i> <i>Obj</i>

**2) Store to LocalX variables**

- **All object types** - Delete any existing object in LocalX first, then store a copy of the object.

**Table 18-13 Writing to LocalX Objects**

Current LocalX Type	Object to be written	Write operation on LocalX	Result of write (in LocalX)
All object types	<i>Obj</i> (Any type)	Store (... , LocalX) CopyObject (... , LocalX)	Copy of <i>Obj</i> Copy of <i>Obj</i>

### 18.2.5.9.3 Named Objects

#### 1) Read from Named object

- **ObjectReference** - If performing a DeRefOf return the target of the reference. Otherwise, return the reference.
- **All other object types** - Return the object

**Table 18-14 Reading from Named Objects**

Current NAME Type	Read operation on NAME	Result of read
RefOf ( <i>Obj</i> )	Store (NAME, ...) CopyObject (NAME, ...) DeRefOf (NAME)	RefOf ( <i>Obj</i> ) RefOf ( <i>Obj</i> ) <i>Obj</i>
<i>Obj</i> (All other types)	Store (NAME, ...) CopyObject (NAME, ...)	<i>Obj</i> <i>Obj</i>

#### 2) Store to Named object

- **All object types** - Delete any existing object in NAME first, then store a copy of the object. The Store operator will perform an implicit conversion to the existing type in NAME. CopyObject does not perform an implicit store.

**Table 18-15 Writing to Named Objects**

Current NAME Type	Object to be written	Write operation on NAME	Result of write (in NAME)
Any (Any Type)	<i>Obj</i> (Any type)	Store (... , NAME) CopyObject (... , NAME)	Copy of <i>Obj</i> (converted to type A) Copy of <i>Obj</i> (No conversion)

### 18.3 ASL Operator Summary

	<u>Operator Name</u>	<u>Page</u>	<u>Description</u>
1.	Acquire	579	Acquire a mutex
2.	Add	579	Integer Add
3.	Alias	580	Define a name alias
4.	And	580	Integer Bitwise And
5.	ArgX	580	Method argument data objects
6.	BankField	580	Declare fields in a banked configuration object
7.	Break	581	Continue following the innermost enclosing While
8.	BreakPoint	582	Used for debugging, stops execution in the debugger
9.	Buffer	582	Declare Buffer object
10.	Case	582	Expression for conditional execution
11.	Concatenate	583	Concatenate two strings, integers or buffers
12.	ConcatenateResTemplate	583	Concatenate two resource templates
13.	CondRefOf	583	Conditional reference to an object
14.	Continue	584	Continue innermost enclosing While loop
15.	CopyObject	584	Copy and existing object
16.	CreateBitField	584	Declare a bit field object of a buffer object
17.	CreateByteField	585	Declare a byte field object of a buffer object
18.	CreateDWordField	585	Declare a DWord field object of a buffer object
19.	CreateField	585	Declare an arbitrary length bit field of a buffer object
20.	CreateQWordField	585	Declare a QWord field object of a buffer object
21.	CreateWordField	586	Declare a Word field object of a buffer object
22.	DataTableRegion	586	Declare a Data Table Region
23.	Debug	587	Debugger output
24.	Decrement	587	Decrement an Integer
25.	Default	587	Default execution path in Switch()
26.	DefinitionBlock	588	Declare a Definition Block
27.	DerefOf	588	Dereference an object reference
28.	Device	588	Declare a bus/device object
29.	Divide	590	Integer Divide
30.	DMA	590	DMA Resource Descriptor macro
31.	DWordIO	591	DWord IO Resource Descriptor macro
32.	DWordMemory	592	DWord Memory Resource Descriptor macro
33.	DWordSpace	594	DWord Space Resource Descriptor macro
34.	EisaId	595	EISA ID String to Integer conversion macro
35.	Else	595	Alternate conditional execution
36.	ElseIf	596	Conditional execution
37.	EndDependentFn	597	End Dependent Function Resource Descriptor macro
38.	Event	597	Declare an event synchronization object
39.	ExtendedIO	597	Extended IO Resource Descriptor macro
40.	ExtendedMemory	599	Extended Memory Resource Descriptor macro
41.	ExtendedSpace	600	Extended Space Resource Descriptor macro
42.	External	601	Declare external objects
43.	Fatal	602	Fatal error check
44.	Field	602	Declare fields of an operation region object
45.	FindSetLeftBit	605	Index of first least significant bit set
46.	FindSetRightBit	605	Index of first most significant bit set
47.	FixedIO	605	Fixed I/O Resource Descriptor macro
48.	FromBCD	606	Convert from BCD to numeric
49.	Function	606	Declare control method
50.	If	607	Conditional execution
51.	Include	607	Include another ASL file
52.	Increment	608	Increment a Integer
53.	Index	608	Indexed Reference to member object
54.	IndexField	610	Declare Index/Data Fields
55.	Interrupt	611	Interrupt Resource Descriptor macro
56.	IO	612	IO Resource Descriptor macro
57.	IRQ	613	Interrupt Resource Descriptor macro
58.	IRQNoFlags	613	Short Interrupt Resource Descriptor macro
59.	LAnd	614	Logical And
60.	LEqual	614	Logical Equal
61.	LGreater	614	Logical Greater
62.	LGreaterEqual	615	Logical Not less
63.	LLess	615	Logical Less
64.	LLessEqual	615	Logical Not greater
65.	LNot	616	Logical Not

66.	<b>LNotEqual</b>	616	Logical Not equal
67.	<b>Load</b>	616	Load differentiating definition block
68.	<b>LoadTable</b>	617	Load Table from RSDT/XSDT
69.	<b>LocalX</b>	618	Method local data objects
70.	<b>LOr</b>	618	Logical Or
71.	<b>Match</b>	618	Search for match in package array
72.	<b>Memory24</b>	619	Memory Resource Descriptor macro
73.	<b>Memory32</b>	620	Memory Resource Descriptor macro
74.	<b>Memory32Fixed</b>	621	Memory Resource Descriptor macro
75.	<b>Method</b>	621	Declare a control method
76.	<b>Mid</b>	623	Return a portion of buffer or string
77.	<b>Mod</b>	623	Integer Modulo
78.	<b>Multiply</b>	623	Integer Multiply
79.	<b>Mutex</b>	624	Declare a mutex synchronization object
80.	<b>Name</b>	624	Declare a Named object
81.	<b>NAnd</b>	625	Integer Bitwise Nand
82.	<b>NoOp</b>	625	No operation
83.	<b>NOR</b>	625	Integer Bitwise Nor
84.	<b>Not</b>	625	Integer Bitwise Not
85.	<b>Notify</b>	626	Notify Object of event
86.	<b>ObjectType</b>	626	Type of object
87.	<b>One</b>	627	Constant One Object (1)
88.	<b>Ones</b>	627	Constant Ones Object (-1)
89.	<b>OperationRegion</b>	627	Declare an operational region
90.	<b>Or</b>	629	Integer Bitwise Or
91.	<b>Package</b>	629	Declare a package object
92.	<b>PowerResource</b>	630	Declare a power resource object
93.	<b>Processor</b>	630	Declare a processor package
94.	<b>QWordIO</b>	631	QWord IO Resource Descriptor macro
95.	<b>QWordMemory</b>	632	QWord Memory Resource Descriptor macro
96.	<b>QWordSpace</b>	634	Qword Space Resource Descriptor macro
97.	<b>RefOf</b>	635	Create Reference to an object
98.	<b>Register</b>	635	Generic register Resource Descriptor macro
99.	<b>Release</b>	636	Release a synchronization object
100.	<b>Reset</b>	636	Reset a synchronization object
101.	<b>ResourceTemplate</b>	637	Resource to buffer conversion macro
102.	<b>Return</b>	637	Return from method execution
103.	<b>Revision</b>	637	Constant revision object
104.	<b>Scope</b>	637	Open named scope
105.	<b>ShiftLeft</b>	638	Integer shift value left
106.	<b>ShiftRight</b>	639	Integer shift value right
107.	<b>Signal</b>	639	Signal a synchronization object
108.	<b>SizeOf</b>	639	Get the size of a buffer, string, or package
109.	<b>Sleep</b>	639	Sleep n milliseconds (yields the processor)
110.	<b>Stall</b>	640	Delay n microseconds (does not yield the processor)
111.	<b>StartDependentFn</b>	640	Start Dependent Function Resource Descriptor macro
112.	<b>StartDependentFnNoPri</b>	641	Start Dependent Function Resource Descriptor macro
113.	<b>Store</b>	641	Store object
114.	<b>Subtract</b>	641	Integer Subtract
115.	<b>Switch</b>	642	Select code to execute based on expression value
116.	<b>ThermalZone</b>	644	Declare a thermal zone package.
117.	<b>Timer</b>	644	Get 64-bit timer value
118.	<b>ToBCD</b>	645	Convert Integer to BCD
119.	<b>ToBuffer</b>	645	Convert data type to buffer
120.	<b>ToDecimalString</b>	645	Convert data type to decimal string
121.	<b>ToHexString</b>	646	Convert data type to hexadecimal string
122.	<b>ToInteger</b>	646	Convert data type to integer
123.	<b>ToString</b>	646	Copy ASCII string from buffer
124.	<b>ToUUID</b>	647	Convert Ascii string to UUID
125.	<b>Unicode</b>	648	String to Unicode conversion macro
126.	<b>Unload</b>	648	Unload definition block
127.	<b>VendorLong</b>	648	Vendor Resource Descriptor
128.	<b>VendorShort</b>	649	Vendor Resource Descriptor
129.	<b>Wait</b>	649	Wait on an Event
130.	<b>While</b>	649	Conditional loop
131.	<b>WordBusNumber</b>	650	Word Bus number Resource Descriptor macro
132.	<b>WordIO</b>	651	Word IO Resource Descriptor macro
133.	<b>WordSpace</b>	652	Word Space Resource Descriptor macro
134.	<b>Xor</b>	654	Integer Bitwise Xor
135.	<b>Zero</b>	654	Constant Zero object (0)

## 18.4 ASL Operator Summary By Type

<u>Operator Name</u>	<u>Page</u>	<u>Description</u>
// ASL compiler controls		
<b>External</b>	601	Declare external objects
<b>Include</b>	607	Include another ASL file
// ACPI table management		
<b>DefinitionBlock</b>	588	Declare a Definition Block
<b>Load</b>	616	Load definition block
<b>LoadTable</b>	617	Load Table from RSDT/XSDT
<b>Unload</b>	648	Unload definition block
// Miscellaneous named object creation		
<b>Alias</b>	580	Define a name alias
<b>Buffer</b>	582	Declare Buffer object
<b>Device</b>	588	Declare a bus/device object
<b>Function</b>	606	Declare a control method
<b>Method</b>	621	Declare a control method
<b>Name</b>	624	Declare a Named object
<b>Package</b>	629	Declare a package object
<b>PowerResource</b>	630	Declare a power resource object
<b>Processor</b>	630	Declare a processor package
<b>Scope</b>	637	Open named scope
<b>ThermalZone</b>	644	Declare a thermal zone package.
// Operation Regions		
<b>BankField</b>	580	Declare fields in a banked configuration object
<b>DataTableRegion</b>	586	Declare a Data Table Region
<b>Field</b>	602	Declare fields of an operation region object
<b>IndexField</b>	610	Declare Index/Data Fields
<b>OperationRegion</b>	627	Declare an operational region
// Buffer Fields		
<b>CreateBitField</b>	584	Declare a bit field object of a buffer object
<b>CreateByteField</b>	585	Declare a byte field object of a buffer object
<b>CreateDWordField</b>	585	Declare a DWord field object of a buffer object
<b>CreateField</b>	585	Declare an arbitrary length bit field of a buffer object
<b>CreateQWordField</b>	585	Declare a QWord field object of a buffer object
<b>CreateWordField</b>	586	Declare a Word field object of a buffer object
// Synchronization		
<b>Acquire</b>	579	Acquire a mutex
<b>Event</b>	597	Declare an event synchronization object
<b>Mutex</b>	624	Declare a mutex synchronization object
<b>Notify</b>	626	Notify Object of event
<b>Release</b>	636	Release a synchronization object
<b>Reset</b>	636	Reset a synchronization object
<b>Signal</b>	639	Signal a synchronization object
<b>Wait</b>	649	Wait on an Event
// Object references		
<b>CondRefOf</b>	583	Conditional reference to an object
<b>DerefOf</b>	588	Dereference an object reference
<b>RefOf</b>	635	Create Reference to an object



```

// Integer arithmetic

Add          579      Integer Add
And          580      Integer Bitwise And
Decrement   587      Decrement an Integer
Divide      590      Integer Divide
FindSetLeftBit 605    Index of first least significant bit set
FindSetRightBit 605  Index of first most significant bit set
Increment   608      Increment a Integer
Mod         623      Integer Modulo
Multiply    623      Integer Multiply
NAnd       625      Integer Bitwise Nand
NOr        625      Integer Bitwise Nor
Not        625      Integer Bitwise Not
Or         629      Integer Bitwise Or
ShiftLeft  638      Integer shift value left
ShiftRight 639      Integer shift value right
Subtract   641      Integer Subtract
Xor        654      Integer Bitwise Xor

// Logical operators

LAnd       614      Logical And
LEqual     614      Logical Equal
LGreater   614      Logical Greater
LGreaterEqual 615    Logical Not less
LLess      615      Logical Less
LLessEqual 615      Logical Not greater
LNot       616      Logical Not
LNotEqual  616      Logical Not equal
LOr        618      Logical Or

// Method execution control

Break      581      Continue following the innermost enclosing While
BreakPoint 582      Used for debugging, stops execution in the debugger
Case       582      Expression for conditional execution
Continue   584      Continue innermost enclosing While loop
Default    587      Default execution path in Switch()
Else       595      Alternate conditional execution
ElseIf     596      Conditional execution
Fatal      602      Fatal error check
If         607      Conditional execution
NoOp       625      No operation
Return     637      Return from method execution
Sleep      639      Sleep n milliseconds (yields the processor)
Stall      640      Delay n microseconds (does not yield the processor)
Switch     642      Select code to execute based on expression value
While      649      Conditional loop

// Data type conversion and manipulation

Concatenate 583      Concatenate two strings, integers or buffers
CopyObject  584      Copy and existing object
Debug       587      Debugger output
EisaId      595      EISA ID String to Integer conversion macro
FromBCD     606      Convert from BCD to numeric
Index       608      Indexed Reference to member object
Match       618      Search for match in package array
Mid         623      Return a portion of buffer or string
ObjectType  626      Type of object
SizeOf      639      Get the size of a buffer, string, or package
Store       641      Store object
Timer       644      Get 64-bit timer value
ToBCD      645      Convert Integer to BCD
ToBuffer    645      Convert data type to buffer
ToDecimalString 645    Convert data type to decimal string
ToHexString 646      Convert data type to hexadecimal string
ToInteger   646      Convert data type to integer
ToString    646      Copy ASCII string from buffer
ToUUID      647      Convert Ascii string to UUID

```

<b>Unicode</b>	648	String to Unicode conversion macro
// Resource Descriptor macros		
<b>ConcatenateResTemplate</b>	583	Concatenate two resource templates
<b>DMA</b>	590	DMA Resource Descriptor macro
<b>DWordIO</b>	591	DWord IO Resource Descriptor macro
<b>DWordMemory</b>	592	DWord Memory Resource Descriptor macro
<b>DWordSpace</b>	594	DWord Space Resource Descriptor macro
<b>EndDependentFn</b>	597	End Dependent Function Resource Descriptor macro
<b>ExtendedIO</b>	597	Extended I/O Resource Descriptor macro
<b>ExtendedMemory</b>	599	Extended Memory Resource Descriptor macro
<b>ExtendedSpace</b>	600	Extended Space Resource Descriptor macro
<b>FixedIO</b>	605	Fixed I/O Resource Descriptor macro
<b>Interrupt</b>	611	Interrupt Resource Descriptor macro
<b>IO</b>	612	IO Resource Descriptor macro
<b>IRQ</b>	613	Interrupt Resource Descriptor macro
<b>IRQNoFlags</b>	613	Short Interrupt Resource Descriptor macro
<b>Memory24</b>	619	Memory Resource Descriptor macro
<b>Memory32</b>	620	Memory Resource Descriptor macro
<b>Memory32Fixed</b>	621	Memory Resource Descriptor macro
<b>QWordIO</b>	631	QWord IO Resource Descriptor macro
<b>QWordMemory</b>	632	QWord Memory Resource Descriptor macro
<b>QWordSpace</b>	634	Qword Space Resource Descriptor macro
<b>Register</b>	635	Generic register Resource Descriptor macro
<b>ResourceTemplate</b>	637	Resource to buffer conversion macro
<b>StartDependentFn</b>	640	Start Dependent Function Resource Descriptor macro
<b>StartDependentFnNoPri</b>	641	Start Dependent Function Resource Descriptor macro
<b>VendorLong</b>	648	Vendor Resource Descriptor
<b>VendorShort</b>	649	Vendor Resource Descriptor
<b>WordBusNumber</b>	650	Word Bus number Resource Descriptor macro
<b>WordIO</b>	651	Word IO Resource Descriptor macro
<b>WordSpace</b>	652	Word Space Resource Descriptor macro
// Constants		
<b>One</b>	627	Constant One Object (1)
<b>Ones</b>	627	Constant Ones Object (-1)
<b>Revision</b>	637	Constant revision object
<b>Zero</b>	654	Constant Zero object (0)
// Control method objects		
<b>ArgX</b>	580	Method argument data objects
<b>LocalX</b>	618	Method local data objects

## 18.5 ASL Operator Reference

This section describes each of the ASL operators. The syntax for each operator is given, with a description of each argument and an overall description of the operator behavior. Example ASL code is provided for the more complex operators.

ASL operators can be categorized as follows:

- Named Object creation
- Method execution control (If, Else, While, etc.)
- Integer math
- Logical operators
- Resource Descriptor macros
- Object conversion
- Utility/Miscellaneous

### 18.5.1 Acquire (Acquire a Mutex)

#### Syntax

```
Acquire (SyncObject, TimeoutValue) => Boolean
```

#### Arguments

*SyncObject* must be a mutex synchronization object. *TimeoutValue* is evaluated as an Integer.

#### Description

Ownership of the Mutex is obtained. If the Mutex is already owned by a different invocation, the current execution thread is suspended until the owner of the Mutex releases it or until at least *TimeoutValue* milliseconds have elapsed. A Mutex can be acquired more than once by the same invocation.

This operation returns **True** if a timeout occurred and the mutex ownership was not acquired. A *TimeoutValue* of 0xFFFF (or greater) indicates that there is no timeout and the operation will wait indefinitely.

### 18.5.2 Add (Integer Add)

#### Syntax

```
Add (Addend1, Addend2, Result) => Integer
```

#### Arguments

*Addend1* and *Addend2* are evaluated as Integers.

#### Description

The operands are added and the result is optionally stored into *Result*. Overflow conditions are ignored and the result of overflows simply loses the most significant bits.

### 18.5.3 Alias (Declare Name Alias)

#### Syntax

```
Alias (SourceObject, AliasObject)
```

#### Arguments

*SourceObject* is any named object. *AliasObject* is a NameString.

#### Description

Creates a new object named *AliasObject* that refers to and acts exactly the same as *SourceObject*.

*AliasObject* is created as an alias of *SourceObject* in the namespace. The *SourceObject* name must already exist in the namespace. If the alias is to a name within the same definition block, the *SourceObject* name must be logically ahead of this definition in the block.

#### Example

The following example shows the use of an **Alias** term:

```
Alias (\SUS.SET.EVEN, SSE)
```

### 18.5.4 And (Integer Bitwise And)

#### Syntax

```
And (Source1, Source2, Result) => Integer
```

#### Arguments

*Source1* and *Source2* are evaluated as Integers.

#### Description

A bitwise AND is performed and the result is optionally stored into *Result*.

### 18.5.5 Argx (Method Argument Data Objects)

#### Syntax

```
Arg0 | Arg1 | Arg2 | Arg3 | Arg4 | Arg5 | Arg6
```

#### Description

Up to 7 argument-object references can be passed to a control method. On entry to a control method, only the argument objects that are passed are usable.

### 18.5.6 BankField (Declare Bank/Data Field)

#### Syntax

```
BankField (RegionName, BankName, BankValue, AccessType, LockRule,
UpdateRule) {FieldUnitList}
```

#### Arguments

*RegionName* is the name of the host Operation Region. *BankName* is the name of the bank selection register.

Accessing the contents of a banked field data object will occur automatically through the proper bank setting, with synchronization occurring on the operation region that contains the *BankName* data variable, and on the Global Lock if specified by the *LockRule*.

The *AccessType*, *LockRule*, *UpdateRule*, and *FieldUnitList* are the same format as the **Field** operator.

## Description

This operator creates data field objects. The contents of the created objects are obtained by a reference to a bank selection register.

This encoding is used to define named data field objects whose data values are fields within a larger object selected by a bank-selected register.

## Example

The following is a block of ASL sample code using *BankField*:

- Creates a 4-bit bank-selected register in system I/O space.
- Creates overlapping fields in the same system I/O space that are selected via the bank register.

```
//
// Define a 256-byte operational region in SystemIO space
// and name it GIO0

OperationRegion (GIO0, SystemIO, 0x125, 0x100)

// Create some fields in GIO including a 4-bit bank select register

Field (GIO0, ByteAcc, NoLock, Preserve) {
    GLB1, 1,
    GLB2, 1,
    Offset (1),          // Move to offset for byte 1
    BNK1, 4
}

// Create FET0 & FET1 in bank 0 at byte offset 0x30

BankField (GIO0, BNK1, 0, ByteAcc, NoLock, Preserve) {
    Offset (0x30),
    FET0, 1,
    FET1, 1
}

// Create BLVL & BAC in bank 1 at the same offset

BankField (GIO0, BNK1, 1, ByteAcc, NoLock, Preserve) {
    Offset (0x30),
    BLVL, 7,
    BAC, 1
}
```

## 18.5.7 Break (Break from While)

### Syntax

**Break**

### Description

**Break** causes execution to continue immediately following the innermost enclosing **While** or **Switch** scope, in the current Method. If there is no enclosing **While** or **Switch** within the current Method, a fatal error is generated.

**Compatibility Note:** In ACPI 1.0, the Break operator continued immediately following the innermost “code package.” Starting in ACPI 2.0, the Break operator was changed to exit the innermost “While” or “Switch” package. This should have no impact on existing code, since the ACPI 1.0 definition was, in practice, useless.

### 18.5.8 BreakPoint (Execution Break Point)

#### Syntax

```
BreakPoint
```

#### Description

Used for debugging, the **Breakpoint** opcode stops the execution and enters the AML debugger. In the non-debug version of the AML interpreter, **BreakPoint** is equivalent to **Noop**.

### 18.5.9 Buffer (Declare Buffer Object)

#### Syntax

```
Buffer (BufferSize) {String or ByteList} => Buffer
```

#### Arguments

Declares a Buffer of size *BufferSize* and optional initial value of *String* or *ByteList*.

#### Description

The optional *BufferSize* parameter specifies the size of the buffer and the initial value is specified in *Initializer* *ByteList*. If *BufferSize* is not specified, it defaults to the size of initializer. If the count is too small to hold the value specified by initializer, the initializer size is used. For example, all four of the following examples generate the same data in namespace, although they have different ASL encodings:

```
Buffer (10)    {"P00.00A"}
Buffer (Arg0) {0x50, 0x30, 0x30, 0x2e, 0x30, 0x30, 0x41}
Buffer (10)    {0x50, 0x30, 0x30, 0x2e, 0x30, 0x30, 0x41, 0x00, 0x00, 0x00}
Buffer ()      {0x50, 0x30, 0x30, 0x2e, 0x30, 0x30, 0x41, 0x00, 0x00, 0x00}
```

### 18.5.10 Case (Expression for Conditional Execution)

#### Syntax

```
Case (Value) {TermList}
```

#### Arguments

*Value* specifies an Integer, Buffer, String or Package object. *TermList* is a sequence of executable ASL expressions.

#### Description

Execute code based upon the value of a **Switch** statement.

If the **Case Value** is an Integer, Buffer or String, then control passes to the statement that matches the value of the enclosing **Switch (Value)**. If the **Case** value is a Package, then control passes if any member of the package matches the **Switch (Value)**. The **Switch CaseTermList** can include any number of **Case** instances, but no two **Case Values** (or members of a *Value*, if *Value* is a Package) within the same **Switch** statement can contain the same value.

Execution of the statement body begins at the start of the *TermList* and proceeds until the end of the *TermList* body or until a **Break** or **Continue** operator transfers control out of the body.

### 18.5.11 Concatenate (Concatenate Data)

#### Syntax

```
Concatenate (Source1, Source2, Result) => ComputationalData
```

#### Arguments

*Source1* and *Source2* must each evaluate to an integer, a string, or a buffer. The data type of *Source1* dictates the required type of *Source2* and the type of the result object. *Source2* is implicitly converted if necessary to match the type of *Source1*.

#### Description

*Source2* is concatenated to *Source1* and the result data is optionally stored into *Result*.

**Table 18-16 Concatenate Data Types**

Source1 Data Type	Source2 Data Type (→ Converted Type)	Result Data Type
Integer	Integer/String/Buffer → Integer	Buffer
String	Integer/String/Buffer → String	String
Buffer	Integer/String/Buffer → Buffer	Buffer

### 18.5.12 ConcatenateResTemplate (Concatenate Resource Templates)

#### Syntax

```
ConcatenateResTemplate (Source1, Source2, Result) => Buffer
```

#### Arguments

*Source1* and *Source2* are evaluated as Resource Template buffers.

#### Description

The resource descriptors from *Source2* are appended to the resource descriptors from *Source1*. Then a new end tag and checksum are appended and the result is stored in *Result*, if specified. If either *Source1* or *Source2* is exactly 1 byte in length, a run-time error occurs. An empty buffer is treated as a resource template with only an end tag.

### 18.5.13 CondRefOf (Create Object Reference Conditionally)

#### Syntax

```
CondRefOf (Source, Result) => Boolean
```

#### Arguments

Attempts to create a reference to the *Source* object. The *Source* of this operation can be any object type (for example, data package, device object, and so on), and the result data is optionally stored into *Result*.

**Description**

On success, the *Destination* object is set to refer to *Source* and the execution result of this operation is the value **True**. On failure, *Destination* is unchanged and the execution result of this operation is the value **False**. This can be used to reference items in the namespace that may appear dynamically (for example, from a dynamically loaded definition block).

**CondRefOf** is equivalent to **RefOf** except that if the *Source* object does not exist, it is fatal for **RefOf** but not for **CondRefOf**.

**18.5.14 Continue (Continue Innermost Enclosing While)****Syntax**

```
Continue
```

**Description**

**Continue** causes execution to continue at the start of the innermost enclosing **While** scope, in the currently executing Control Method, at the point where the condition is evaluated. If there is no enclosing **While** within the current Method, a fatal error is generated.

**18.5.15 CopyObject (Copy and Store Object)****Syntax**

```
CopyObject (Source, Destination) => DataRefObject
```

**Arguments**

Converts the contents of the *Source* to a DataRefObject using the conversion rules in 18.2.5 and then copies the results without conversion to the object referred to by *Destination*.

**Description**

If *Destination* is already an initialized object of type DataRefObject, the original contents of *Destination* are discarded and replaced with *Source*. Otherwise, a fatal error is generated.

**Compatibility Note:** The CopyObject operator was first introduced new in ACPI 2.0.

**18.5.16 CreateBitField (Create 1-Bit Buffer Field)****Syntax**

```
CreateBitField (SourceBuffer, BitIndex, BitFieldName)
```

**Arguments**

*SourceBuffer* is evaluated as a buffer. *BitIndex* is evaluated as an integer. *BitFieldName* is a NameString.

**Description**

A new buffer field object named *BitFieldName* is created for the bit of *SourceBuffer* at the bit index of *BitIndex*. The bit-defined field within *SourceBuffer* must exist. *BitFieldName* is created for the bit of *SourceBuffer* at the bit index of *BitIndex*. The bit-defined field within *SourceBuffer* must exist.



### 18.5.17 CreateByteField (Create 8-Bit Buffer Field)

#### Syntax

```
CreateByteField (SourceBuffer, ByteIndex, ByteFieldName)
```

#### Arguments

*SourceBuffer* is evaluated as a buffer. *ByteIndex* is evaluated as an integer. *ByteFieldName* is a NameString.

#### Description

A new buffer field object named *ByteFieldName* is created for the byte of *SourceBuffer* at the byte index of *ByteIndex*. The byte-defined field within *SourceBuffer* must exist.

### 18.5.18 CreateDWordField (Create 32-Bit Buffer Field)

#### Syntax

```
CreateDWordField (SourceBuffer, ByteIndex, DWordFieldName)
```

#### Arguments

*SourceBuffer* is evaluated as a buffer. *ByteIndex* is evaluated as an integer. *DWordFieldName* is a NameString.

#### Description

A new buffer field object named *DWordFieldName* is created for the DWord of *SourceBuffer* at the byte index of *ByteIndex*. The DWord-defined field within *SourceBuffer* must exist.

### 18.5.19 CreateField (Create Arbitrary Length Buffer Field)

#### Syntax

```
CreateField (SourceBuffer, BitIndex, NumBits, FieldName)
```

#### Arguments

*SourceBuffer* is evaluated as a buffer. *BitIndex* and *NumBits* are evaluated as integers. *FieldName* is a NameString.

#### Description

A new buffer field object named *FieldName* is created for the bits of *SourceBuffer* at *BitIndex* for *NumBits*. The entire bit range of the defined field within *SourceBuffer* must exist. If *NumBits* evaluates to zero, a fatal exception is generated.

### 18.5.20 CreateQWordField (Create 64-Bit Buffer Field)

#### Syntax

```
CreateQWordField (SourceBuffer, ByteIndex, QWordFieldName)
```

#### Arguments

*SourceBuffer* is evaluated as a buffer. *ByteIndex* is evaluated as an integer. *QWordFieldName* is a NameString.

**Description**

A new buffer field object named *QWordFieldName* is created for the QWord of *SourceBuffer* at the byte index of *ByteIndex*. The QWord-defined field within *SourceBuffer* must exist.

**18.5.21 CreateWordField (Create 16-Bit Buffer Field)****Syntax**

```
CreateWordField (SourceBuffer, ByteIndex, WordFieldName)
```

**Arguments**

*SourceBuffer* is evaluated as a buffer. *ByteIndex* is evaluated as an integer. *WordFieldName* is a NameString.

**Description**

A new bufferfield object named *WordFieldName* is created for the word of *SourceBuffer* at the byte index of *ByteIndex*. The word-defined field within *SourceBuffer* must exist.

**18.5.22 DataTableRegion (Create Data Table Operation Region)****Syntax**

```
DataTableRegion (RegionName, SignatureString, OemIDString, OemTableIDString)
```

**Arguments**

Creates a new region named *RegionName*. *SignatureString*, *OemIDString* and *OemTableIDString* are evaluated as strings.

**Description**

A Data Table Region is a special Operation Region whose RegionSpace is SystemMemory . Any table referenced by a Data Table Region must be in memory marked by AddressRangeReserved or AddressRangeNVS.

The memory referred to by the Data Table Region is the memory that is occupied by the table referenced in XSDT that is identified by *SignatureString*, *OemIDString* and *OemTableIDString*. Any Field object can reference RegionName

The base address of a Data Table region is the address of the first byte of the header of the table identified by *SignatureString*, *OemIDString* and *OemTableIDString*. The length of the region is the length of the table.

## 18.5.23 Debug (Debugger Output)

### Syntax

`Debug`

### Description

The debug data object is a virtual data object. Writes to this object provide debugging information. On at least debug versions of the interpreter, any writes into this object are appropriately displayed on the system's native kernel debugger. All writes to the debug object are otherwise benign. If the system is in use without a kernel debugger, then writes to the debug object are ignored. The following table relates the ASL term types that can be written to the Debug object to the format of the information on the kernel debugger display.

**Table 18-17 Debug Object Display Formats**

ASL Term Type	Display Format
Numeric data object	All digits displayed in hexadecimal format.
String data object	String is displayed.
Object reference	Information about the object is displayed (for example, object type and object name), but the object is not evaluated.

The Debug object is a write-only object; attempting to read from the debug object is not supported.

## 18.5.24 Decrement (Integer Decrement)

### Syntax

`Decrement (Minuend) => Integer`

### Arguments

*Minuend* is evaluated as an Integer.

### Description

This operation decrements the *Minuend* by one and the result is stored back to *Minuend*. Equivalent to **Subtract** (*Minuend*, 1, *Minuend*). Underflow conditions are ignored and the result is Ones.

## 18.5.25 Default (Default Execution Path in Switch)

### Syntax

`Default {TermList}`

### Arguments

*TermList* is a sequence of executable ASL expressions.

### Description

Within the body of a **Switch** (page 548) statement, the statements specified by *TermList* will be executed if no **Case** (page 489) statement value matches the Switch statement value. If **Default** is omitted and no **Case** match is found, none of the statements in the Switch body are executed. There can be at most one **Default** statement in the immediate scope of the parent Switch statement. The **Default** statement can appear anywhere in the body of the **Switch** statement.

## 18.5.26 DefinitionBlock (Declare Definition Block)

### Syntax

```
DefinitionBlock (AMLFileName, TableSignature, ComplianceRevision, OEMID,
                TableID, OEMRevision) {TermList}
```

### Arguments

*AMLFileName* is a string that specifies the desired name of the translated output AML file. *TableSignature* is a string that contains the 4-character ACPI signature. *ComplianceRevision* is an 8-bit value. *OEMID* is a 6-character string, *TableId* is an 8-character string, and *OEMRevision* is a 32-bit value. *TermList* is a sequence of executable ASL expressions.

### Description

The **DefinitionBlock** term specifies the unit of data and/or AML code that the OS will load as part of the Differentiated Definition Block or as part of an additional Definition Block.

This unit of data and/or AML code describes either the base system or some large extension (such as a docking station). The entire DefinitionBlock will be loaded and compiled by the OS as a single unit, and can be unloaded by the OS as a single unit.

Note: For compatibility with ACPI versions before ACPI 2.0, the bit width of Integer objects is dependent on the *ComplianceRevision* of the DSDT. If the *ComplianceRevision* is less than 2, all integers are restricted to 32 bits. Otherwise, full 64-bit integers are used. The version of the DSDT sets the global integer width for all integers, including integers in SSDTs.

## 18.5.27 DerefOf (Dereference an Object Reference)

### Syntax

```
DerefOf (Source) => Object
```

### Arguments

Returns the object referred by the *Source* object reference.

### Description

If the *Source* evaluates to an object reference, the actual contents of the object referred to are returned. If the *Source* evaluates to a string, the string is evaluated as an ASL name (relative to the current scope) and the contents of that object are returned. If the object specified by *Source* does not exist then a fatal error is generated.

**Compatibility Note:** The use of a String with **DerefOf** was first introduced in ACPI 2.0.

## 18.5.28 Device (Declare Bus/Device Package)

### Syntax

```
Device (DeviceName) {ObjectList}
```

### Arguments

Creates a Device object of name *DeviceName*, which represents either a bus or a device or any other similar hardware. **Device** opens a name scope.

## Description

A Bus/Device Package is one of the basic ways the Differentiated Definition Block describes the hardware devices in the system to the operating software. Each Bus/Device Package is defined somewhere in the hierarchical namespace corresponding to that device's location in the system. Within the namespace of the device are other names that provide information and control of the device, along with any sub-devices that in turn describe sub-devices, and so on.

For any device, the BIOS provides only information that is added to the device in a non-hardware standard manner. This type of value-added function is expressible in the ACPI Definition Block such that operating software can use the function.

The BIOS supplies Device Objects only for devices that are obtaining some system-added function outside the device's normal capabilities and for any Device Object required to fill in the tree for such a device. For example, if the system includes a PCI device (integrated or otherwise) with no additional functions such as power management, the BIOS would not report such a device; however, if the system included an integrated ISA device below the integrated PCI device (device is an ISA bridge), then the system would include a Device Package for the ISA device with the minimum feature being added being the ISA device's ID and configuration information and the parent PCI device, because it is required to get the ISA Device Package placement in the namespace correct.

## Example

The following block of ASL sample code shows a nested use of Device objects to describe an IDE controller connected to the root PCI bus.

```

Device (IDE0) {          // primary controller
    Name (_ADR, 0)      // put PCI Address (device/function) here

    // define region for IDE mode register

    OperationRegion (PCIC, PCI_Config, 0x50, 0x10)
    Field (PCIC, AnyAcc, NoLock, Preserve) {
        ...
    }
    Device (PRIM) {      // Primary adapter
        Name (_ADR, 0)  // Primary adapter = 0
        ...
        Method (_STM, 2) {
            ...
        }
        Method (_GTM) {
            ...
        }
        Device (MSTR) { // master channel
            Name (_ADR, 0)
            Name (_PR0, Package () {0, PIDE})

            Name (_GTF) {
                ...
            }
        }
        Device (SLAV) {
            Name (_ADR, 1)
            Name (_PR0, Package () {0, PIDE})
            Name (_GTF) {
                ...
            }
        }
    }
}

```

## 18.5.29 Divide (Integer Divide)

### Syntax

```
Divide (Dividend, Divisor, Remainder, Result) => Integer
```

### Arguments

*Dividend* and *Divisor* are evaluated as Integers.

### Description

*Dividend* is divided by *Divisor*, then the resulting remainder is optionally stored into *Remainder* and the resulting quotient is optionally stored into *Result*. Divide-by-zero exceptions are fatal.

The function return value is the *Result* (*quotient*).

## 18.5.30 DMA (DMA Resource Descriptor Macro)

### Syntax

```
DMA (DmaType, IsBusMaster, DmaTransferSize, DescriptorName) {DmaChannelList}  
=> Buffer
```

### Arguments

*DmaType* specifies the type of DMA cycle: ISA compatible (**Compatibility**), EISA Type A (**TypeA**), EISA Type B (**TypeB**) or EISA Type F (**TypeF**). The 2-bit field *DescriptorName.\_TYP* is automatically created to refer to this portion of the resource descriptor, where '0' is Compatibility, '1' is TypeA, '2' is TypeB and '3' is TypeF.

*IsBusMaster* specifies whether this device can generate DMA bus master cycles (**BusMaster**) or not (**NotBusMaster**). If nothing is specified, then BusMaster is assumed. The 1-bit field *DescriptorName.\_BM* is automatically created to refer to this portion of the resource descriptor, where '0' is NotBusMaster and '1' is BusMaster.

*DmaTransferSize* specifies the size of DMA cycles the device is capable of generating: 8-bit (**Transfer8**), 16-bit (**Transfer16**) or both 8 and 16-bit (**Transfer8\_16**). The 2-bit field *DescriptorName.\_SIZ* is automatically created to refer to this portion of the resource descriptor, where '0' is Transfer8, '1' is Transfer8\_16 and '2' is Transfer16.

*DescriptorName* is an optional argument that specifies a name for an integer constant that will be created in the current scope that contains the offset of this resource descriptor within the current resource template buffer. The predefined descriptor field names may be appended to this name to access individual fields within the descriptor via the Buffer Field operators.

*DmaChannelList* is a comma-delimited list of integers in the range 0 through 7 that specify the DMA channels used by the device. There may be no duplicates in the list.

### Description

The **DMA** macro evaluates to a buffer which contains a DMA resource descriptor. The format of the DMA resource descriptor can be found in "DMA Descriptor" (page 225). The macro is designed to be used inside of a ResourceTemplate (page 544).

## 18.5.31 DWordIO (DWord IO Resource Descriptor Macro)

### Syntax

```
DWordIO (ResourceUsage, IsMinFixed, IsMaxFixed, Decode, ISARanges,  
         AddressGranularity, AddressMinimum, AddressMaximum, AddressTranslation,  
         RangeLength, ResourceSourceIndex, ResourceSource, DescriptorName,  
         TranslationType, TranslationDensity)
```

### Arguments

*ResourceUsage* specifies whether the I/O range is consumed by this device (**ResourceConsumer**) or passed on to child devices (**ResourceProducer**). If nothing is specified, then ResourceConsumer is assumed.

*IsMinFixed* specifies whether the minimum address of this I/O range is fixed (**MinFixed**) or can be changed (**MinNotFixed**). If nothing is specified, then MinNotFixed is assumed. The 1-bit field *DescriptorName*.\_MIF is automatically created to refer to this portion of the resource descriptor, where '1' is MinFixed and '0' is MinNotFixed.

*IsMaxFixed* specifies whether the maximum address of this I/O range is fixed (**MaxFixed**) or can be changed (**MaxNotFixed**). If nothing is specified, then MaxNotFixed is assumed. The 1-bit field *DescriptorName*.\_MAF is automatically created to refer to this portion of the resource descriptor, where '1' is MaxFixed and '0' is MaxNotFixed.

*Decode* specifies whether or not the device decodes the I/O range using positive (**PosDecode**) or subtractive (**SubDecode**) decode. If nothing is specified, then PosDecode is assumed. The 1-bit field *DescriptorName*.\_DEC is automatically created to refer to this portion of the resource descriptor, where '1' is SubDecode and '0' is PosDecode.

*ISARanges* specifies whether the I/O ranges specifies are limited to valid ISA I/O ranges (**ISAOnly**), valid non-ISA I/O ranges (**NonISAOnly**) or encompass the whole range without limitation (**EntireRange**). The 2-bit field *DescriptorName*.\_RNG is automatically created to refer to this portion of the resource descriptor, where '1' is NonISAOnly, '2' is ISAOnly and '0' is EntireRange.

*AddressGranularity* evaluates to a 32-bit integer that specifies the power-of-two boundary (- 1) on which the I/O range must be aligned. The 32-bit field *DescriptorName*.\_GRA is automatically created to refer to this portion of the resource descriptor.

*AddressMinimum* evaluates to a 32-bit integer that specifies the lowest possible base address of the I/O range. The value must have '0' in all bits where the corresponding bit in *AddressGranularity* is '1'. For bridge devices which translate addresses, this is the address on the secondary bus. The 32-bit field *DescriptorName*.\_MIN is automatically created to refer to this portion of the resource descriptor.

*AddressMaximum* evaluates to a 32-bit integer that specifies the highest possible base address of the I/O range. The value must have '0' in all bits where the corresponding bit in *AddressGranularity* is '1'. For bridge devices which translate addresses, this is the address on the secondary bus. The 32-bit field *DescriptorName*.\_MAX is automatically created to refer to this portion of the resource descriptor.

*AddressTranslation* evaluates to a 32-bit integer that specifies the offset to be added to a secondary bus I/O address which results in the corresponding primary bus I/O address. For all non-bridge devices or bridges which do not perform translation, this must be '0'. The 32-bit field *DescriptorName*.\_TRA is automatically created to refer to this portion of the resource descriptor.

*RangeLength* evaluates to a 32-bit integer that specifies the total number of bytes decoded in the I/O range. The 32-bit field *DescriptorName*.\_LEN is automatically created to refer to this portion of the resource descriptor.

*ResourceSourceIndex* is an optional argument which evaluates to an 8-bit integer that specifies the resource descriptor within the object specified by *ResourceSource*. If this argument is specified, the *ResourceSource* argument must also be specified.

*ResourceSource* is an optional argument which evaluates to a string containing the path of a device which produces the pool of resources from which this I/O range is allocated. If this argument is specified, but the *ResourceSourceIndex* argument is not specified, a value of zero is assumed.

*DescriptorName* is an optional argument that specifies a name for an integer constant that will be created in the current scope that contains the offset of this resource descriptor within the current resource template buffer. The predefined descriptor field names may be appended to this name to access individual fields within the descriptor via the Buffer Field operators.

*TranslationType* is an optional argument that specifies whether the resource type on the secondary side of the bus is different (**TypeTranslation**) from that on the primary side of the bus or the same (**TypeStatic**). If *TypeTranslation* is specified, then the secondary side of the bus is Memory. If *TypeStatic* is specified, then the secondary side of the bus is I/O. If nothing is specified, then *TypeStatic* is assumed. The 1-bit field *DescriptorName.\_TTP* is automatically created to refer to this portion of the resource descriptor, where '1' is *TypeTranslation* and '0' is *TypeStatic*. See *\_TTP* (page 248) for more information

*TranslationDensity* is an optional argument that specifies whether or not the translation from the primary to secondary bus is sparse (**SparseTranslation**) or dense (**DenseTranslation**). It is only used when *TranslationType* is **TypeTranslation**. If nothing is specified, then *DenseTranslation* is assumed. The 1-bit field *DescriptorName.\_TRS* is automatically created to refer to this portion of the resource descriptor, where '1' is *SparseTranslation* and '0' is *DenseTranslation*. See *\_TRS* (page 248) for more information.

## Description

The **DWordIO** macro evaluates to a buffer which contains a 32-bit I/O range resource descriptor. The format of the 32-bit I/O range resource descriptor can be found in "DWord Address Space Descriptor" (page 238). The macro is designed to be used inside of a *ResourceTemplate* (page 544).

## 18.5.32 DWordMemory (DWord Memory Resource Descriptor Macro)

### Syntax

```
DWordMemory (ResourceUsage, Decode, IsMinFixed, IsMaxFixed, Cacheable,  
ReadAndWrite, AddressGranularity, AddressMinimum, AddressMaximum,  
AddressTranslation, RangeLength, ResourceSourceIndex, ResourceSource,  
DescriptorName, MemoryType, TranslationType)
```

### Arguments

*ResourceUsage* specifies whether the Memory range is consumed by this device (**ResourceConsumer**) or passed on to child devices (**ResourceProducer**). If nothing is specified, then *ResourceConsumer* is assumed.

*Decode* specifies whether or not the device decodes the Memory range using positive (**PosDecode**) or subtractive (**SubDecode**) decode. If nothing is specified, then *PosDecode* is assumed. The 1-bit field *DescriptorName.\_DEC* is automatically created to refer to this portion of the resource descriptor, where '1' is *SubDecode* and '0' is *PosDecode*.

*IsMinFixed* specifies whether the minimum address of this Memory range is fixed (**MinFixed**) or can be changed (**MinNotFixed**). If nothing is specified, then *MinNotFixed* is assumed. The 1-bit field *DescriptorName.\_MIF* is automatically created to refer to this portion of the resource descriptor, where '1' is *MinFixed* and '0' is *MinNotFixed*.

*IsMaxFixed* specifies whether the maximum address of this Memory range is fixed (**MaxFixed**) or can be changed (**MaxNotFixed**). If nothing is specified, then *MaxNotFixed* is assumed. The 1-bit field *DescriptorName.\_MAF* is automatically created to refer to this portion of the resource descriptor, where '1' is *MaxFixed* and '0' is *MaxNotFixed*.



*Cacheable* specifies whether or not the memory region is cacheable (**Cacheable**), cacheable and write-combining (**WriteCombining**), cacheable and prefetchable (**Prefetchable**) or uncacheable (**NonCacheable**). If nothing is specified, then NonCacheable is assumed. The 2-bit field *DescriptorName.\_MEM* is automatically created to refer to this portion of the resource descriptor, where '1' is Cacheable, '2' is WriteCombining, '3' is Prefetchable and '0' is NonCacheable.

*ReadAndWrite* specifies whether or not the memory region is read-only (**ReadOnly**) or read/write (**ReadWrite**). If nothing is specified, then ReadWrite is assumed. The 1-bit field *DescriptorName.\_RW* is automatically created to refer to this portion of the resource descriptor, where '1' is ReadWrite and '0' is ReadOnly.

*AddressGranularity* evaluates to a 32-bit integer that specifies the power-of-two boundary (- 1) on which the Memory range must be aligned. The 32-bit field *DescriptorName.\_GRA* is automatically created to refer to this portion of the resource descriptor.

*AddressMinimum* evaluates to a 32-bit integer that specifies the lowest possible base address of the Memory range. The value must have '0' in all bits where the corresponding bit in *AddressGranularity* is '1'. For bridge devices which translate addresses, this is the address on the secondary bus. The 32-bit field *DescriptorName.\_MIN* is automatically created to refer to this portion of the resource descriptor.

*AddressMaximum* evaluates to a 32-bit integer that specifies the highest possible base address of the Memory range. The value must have '0' in all bits where the corresponding bit in *AddressGranularity* is '1'. For bridge devices which translate addresses, this is the address on the secondary bus. The 32-bit field *DescriptorName.\_MAX* is automatically created to refer to this portion of the resource descriptor.

*AddressTranslation* evaluates to a 32-bit integer that specifies the offset to be added to a secondary bus I/O address which results in the corresponding primary bus I/O address. For all non-bridge devices or bridges which do not perform translation, this must be '0'. The 32-bit field *DescriptorName.\_TRA* is automatically created to refer to this portion of the resource descriptor.

*RangeLength* evaluates to a 32-bit integer that specifies the total number of bytes decoded in the Memory range. The 32-bit field *DescriptorName.\_LEN* is automatically created to refer to this portion of the resource descriptor.

*ResourceSourceIndex* is an optional argument which evaluates to an 8-bit integer that specifies the resource descriptor within the object specified by *ResourceSource*. If this argument is specified, the *ResourceSource* argument must also be specified.

*ResourceSource* is an optional argument which evaluates to a string containing the path of a device which produces the pool of resources from which this Memory range is allocated. If this argument is specified, but the *ResourceSourceIndex* argument is not specified, a zero value is assumed.

*DescriptorName* is an optional argument that specifies a name for an integer constant that will be created in the current scope that contains the offset of this resource descriptor within the current resource template buffer. The predefined descriptor field names may be appended to this name to access individual fields within the descriptor via the Buffer Field operators.

*MemoryType* is an optional argument that specifies the memory usage. The memory can be marked as normal (**AddressRangeMemory**), used as ACPI NVS space (**AddressRangeNVS**), used as ACPI reclaimable space (**AddressRangeACPI**) or as system reserved (**AddressRangeReserved**). If nothing is specified, then AddressRangeMemory is assumed. The 2-bit field *DescriptorName.\_MTP* is automatically created in order to refer to this portion of the resource descriptor, where '0' is AddressRangeMemory, '1' is AddressRangeReserved, '2' is AddressRangeACPI and '3' is AddressRangeNVS.

*TranslationType* is an optional argument that specifies whether the resource type on the secondary side of the bus is different (**TypeTranslation**) from that on the primary side of the bus or the same (**TypeStatic**). If TypeTranslation is specified, then the secondary side of the bus is I/O. If TypeStatic is specified, then the secondary side of the bus is I/O. If nothing is specified, then TypeStatic is assumed. The 1-bit field *DescriptorName.\_TTP* is automatically created to refer to this portion of the resource descriptor, where '1' is TypeTranslation and '0' is TypeStatic. See *\_TTP* (page 248) for more information.

## Description

The **DWordMemory** macro evaluates to a buffer which contains a 32-bit memory resource descriptor. The format of the 32-bit memory resource descriptor can be found in “DWord Address Space Descriptor ” (page 238). The macro is designed to be used inside of a ResourceTemplate (page 544).

### 18.5.33 DWordSpace (DWord Space Resource Descriptor Macro)

#### Syntax

```
DWordSpace (ResourceType, ResourceUsage, Decode, IsMinFixed, IsMaxFixed,
             TypeSpecificFlags, AddressGranularity, AddressMinimum, AddressMaximum,
             AddressTranslation, RangeLength, ResourceSourceIndex, ResourceSource,
             DescriptorName)
```

#### Arguments

*ResourceType* evaluates to an 8-bit integer that specifies the type of this resource. Acceptable values are 0xC0 through 0xFF.

*ResourceUsage* specifies whether the Memory range is consumed by this device (**ResourceConsumer**) or passed on to child devices (**ResourceProducer**). If nothing is specified, then ResourceConsumer is assumed.

*Decode* specifies whether or not the device decodes the Memory range using positive (**PosDecode**) or subtractive (**SubDecode**) decode. If nothing is specified, then PosDecode is assumed. The 1-bit field *DescriptorName*.\_DEC is automatically created to refer to this portion of the resource descriptor, where ‘1’ is SubDecode and ‘0’ is PosDecode.

*IsMinFixed* specifies whether the minimum address of this Memory range is fixed (**MinFixed**) or can be changed (**MinNotFixed**). If nothing is specified, then MinNotFixed is assumed. The 1-bit field *DescriptorName*.\_MIF is automatically created to refer to this portion of the resource descriptor, where ‘1’ is MinFixed and ‘0’ is MinNotFixed.

*IsMaxFixed* specifies whether the maximum address of this Memory range is fixed (**MaxFixed**) or can be changed (**MaxNotFixed**). If nothing is specified, then MaxNotFixed is assumed. The 1-bit field *DescriptorName*.\_MAF is automatically created to refer to this portion of the resource descriptor, where ‘1’ is MaxFixed and ‘0’ is MaxNotFixed.

*TypeSpecificFlags* evaluates to an 8-bit integer. The flags are specific to the *ResourceType*.

*AddressGranularity* evaluates to a 32-bit integer that specifies the power-of-two boundary (- 1) on which the Memory range must be aligned. The 32-bit field *DescriptorName*.\_GRA is automatically created to refer to this portion of the resource descriptor.

*AddressMinimum* evaluates to a 32-bit integer that specifies the lowest possible base address of the Memory range. The value must have ‘0’ in all bits where the corresponding bit in *AddressGranularity* is ‘1’. For bridge devices which translate addresses, this is the address on the secondary bus. The 32-bit field *DescriptorName*.\_MIN is automatically created to refer to this portion of the resource descriptor.

*AddressMaximum* evaluates to a 32-bit integer that specifies the highest possible base address of the Memory range. The value must have ‘0’ in all bits where the corresponding bit in *AddressGranularity* is ‘1’. For bridge devices which translate addresses, this is the address on the secondary bus. The 32-bit field *DescriptorName*.\_MAX is automatically created to refer to this portion of the resource descriptor.

*AddressTranslation* evaluates to a 32-bit integer that specifies the offset to be added to a secondary bus I/O address which results in the corresponding primary bus I/O address. For all non-bridge devices or bridges which do not perform translation, this must be ‘0’. The 32-bit field *DescriptorName*.\_TRA is automatically created to refer to this portion of the resource descriptor.

*RangeLength* evaluates to a 32-bit integer that specifies the total number of bytes decoded in the Memory range. The 32-bit field *DescriptorName.\_LEN* is automatically created to refer to this portion of the resource descriptor.

*ResourceSourceIndex* is an optional argument which evaluates to an 8-bit integer that specifies the resource descriptor within the object specified by *ResourceSource*. If this argument is specified, the *ResourceSource* argument must also be specified.

*ResourceSource* is an optional argument which evaluates to a string containing the path of a device which produces the pool of resources from which this Memory range is allocated. If this argument is specified, but the *ResourceSourceIndex* argument is not specified, a zero value is assumed.

*DescriptorName* is an optional argument that specifies a name for an integer constant that will be created in the current scope that contains the offset of this resource descriptor within the current resource template buffer. The predefined descriptor field names may be appended to this name to access individual fields within the descriptor via the Buffer Field operators.

## Description

The **DWordSpace** macro evaluates to a buffer which contains a 32-bit Address Space resource descriptor. The format of the 32-bit Address Space resource descriptor can be found in “DWord Address Space Descriptor” (page 238). The macro is designed to be used inside of a ResourceTemplate (page 544).

### 18.5.34 EISAID (EISA ID String To Integer Conversion Macro)

#### Syntax

```
EISAID (EisaIdString) => DWordConst
```

#### Arguments

The *EisaIdString* must be a String object of the form “UUUNNNN”, where “U” is an uppercase letter and “N” is a hexadecimal digit. No asterisks or other characters are allowed in the string.

#### Description

Converts *EisaIdString*, a 7-character text string argument, into its corresponding 4-byte numeric EISA ID encoding. It can be used when declaring IDs for devices that have EISA IDs.

#### Example

```
EISAID ("PNP0C09") // This is a valid invocation of the macro.
```

### 18.5.35 Else (Alternate Execution)

#### Syntax

```
Else {TermList}
```

#### Arguments

*TermList* is a sequence of executable ASL statements.

#### Description

If *Predicate* evaluates to 0 in an **If** statement, then control is transferred to the Else portion, which can consist of zero or more **ElseIf** statements followed by zero or one **Else** statements. If the *Predicate* of any **ElseIf** statement evaluates to non-zero, the statements in its term list are executed and then control is transferred past the end of the final Else term. If no *Predicate* evaluates to non-zero, then the statements in the **Else** term list are executed.

**Example**

The following example checks Local0 to be zero or non-zero. On non-zero, CNT is incremented; otherwise, CNT is decremented.

```

If (LGreater (Local0, 5)
{
    Increment (CNT)
} Else If (Local0) {
    Add (CNT, 5, CNT)
}
Else
{
    Decrement (CNT)
}

```

**18.5.36 Elseif (Alternate/Conditional Execution)****Syntax**

```
ElseIf (Predicate)
```

**Arguments**

*Predicate* is evaluated as an Integer.

**Description**

If the *Predicate* of any **ElseIf** statement evaluates to non-zero, the statements in its term list are executed and then control is transferred past the end of the final **Else**. If no *Predicate* evaluates to non-zero, then the statements in the **Else** term list are executed.

**Compatibility Note:** The **Elseif** operator was first introduced in ACPI 2.0, but is backward compatible with the ACPI 1.0 specification. An ACPI 2.0 and later ASL compiler must synthesize **ElseIf** from the **If**, **and Else** opcodes available in 1.0. For example:

```

If (predicate1)
{
    ...statements1...
}
ElseIf (predicate2)
{
    ...statements2...
}
Else
{
    ...statements3...
}

```

is translated to the following:

```

If (predicate1)
{
    ...statements1...
}
Else
{
    If (predicate2)
    {
        ...statements2...
    }
    Else
    {
        ...statements3...
    }
}

```

### 18.5.37 EndDependentFn (End Dependent Function Resource Descriptor Macro)

#### Syntax

```
EndDependentFn ( ) => Buffer
```

#### Description

The **EndDependentFn** macro generates an end-of-dependent-function resource descriptor buffer inside of an ResourceTemplate (page 544). It must be matched with a StartDependentFn (page 547) or StartDependentFnNoPri (page 547) macro.

### 18.5.38 Event (Declare Event Synchronization Object)

#### Syntax

```
Event (EventName)
```

#### Arguments

Creates an event synchronization object named *EventName*.

#### Description

For more information about the uses of an event synchronization object, see the ASL definitions for the Wait, Signal, and Reset function operators.

### 18.5.39 ExtendedIO (Extended IO Resource Descriptor Macro)

#### Syntax

```
ExtendedIO (ResourceUsage, IsMinFixed, IsMaxFixed, Decode, ISARanges,
AddressGranularity, AddressMinimum, AddressMaximum, AddressTranslation,
RangeLength, TypeSpecificAttributes, DescriptorName, TranslationType,
TranslationDensity)
```

#### Arguments

*ResourceUsage* specifies whether the Memory range is consumed by this device (**ResourceConsumer**) or passed on to child devices (**ResourceProducer**). If nothing is specified, then ResourceConsumer is assumed.

*IsMinFixed* specifies whether the minimum address of this I/O range is fixed (**MinFixed**) or can be changed (**MinNotFixed**). If nothing is specified, then MinNotFixed is assumed. The 1-bit field *DescriptorName.\_MIF* is automatically created to refer to this portion of the resource descriptor, where '1' is MinFixed and '0' is MinNotFixed.

*IsMaxFixed* specifies whether the maximum address of this I/O range is fixed (**MaxFixed**) or can be changed (**MaxNotFixed**). If nothing is specified, then MaxNotFixed is assumed. The 1-bit field *DescriptorName.\_MAF* is automatically created to refer to this portion of the resource descriptor, where '1' is MaxFixed and '0' is MaxNotFixed.

*Decode* specifies whether or not the device decodes the I/O range using positive (**PosDecode**) or subtractive (**SubDecode**) decode. If nothing is specified, then PosDecode is assumed. The 1-bit field *DescriptorName.\_DEC* is automatically created to refer to this portion of the resource descriptor, where '1' is SubDecode and '0' is PosDecode.

*ISARanges* specifies whether the I/O ranges specified are limited to valid ISA I/O ranges (**ISAOnly**), valid non-ISA I/O ranges (**NonISAOnly**) or encompass the whole range without limitation (**EntireRange**). The 2-bit field *DescriptorName.\_RNG* is automatically created to refer to this portion of the resource descriptor, where '1' is NonISAOnly, '2' is ISAOnly and '0' is EntireRange.

*AddressGranularity* evaluates to a 64-bit integer that specifies the power-of-two boundary ( $-1$ ) on which the I/O range must be aligned. The 64-bit field *DescriptorName.\_GRA* is automatically created to refer to this portion of the resource descriptor.

*AddressMinimum* evaluates to a 64-bit integer that specifies the lowest possible base address of the I/O range. The value must have '0' in all bits where the corresponding bit in *AddressGranularity* is '1'. For bridge devices which translate addresses, this is the address on the secondary bus. The 64-bit field *DescriptorName.\_MIN* is automatically created to refer to this portion of the resource descriptor.

*AddressMaximum* evaluates to a 64-bit integer that specifies the highest possible base address of the I/O range. The value must have '0' in all bits where the corresponding bit in *AddressGranularity* is '1'. For bridge devices which translate addresses, this is the address on the secondary bus. The 64-bit field *DescriptorName.\_MAX* is automatically created to refer to this portion of the resource descriptor.

*AddressTranslation* evaluates to a 64-bit integer that specifies the offset to be added to a secondary bus I/O address which results in the corresponding primary bus I/O address. For all non-bridge devices or bridges which do not perform translation, this must be '0'. The 64-bit field *DescriptorName.\_TRA* is automatically created to refer to this portion of the resource descriptor.

*RangeLength* evaluates to a 64-bit integer that specifies the total number of bytes decoded in the I/O range. The 64-bit field *DescriptorName.\_LEN* is automatically created to refer to this portion of the resource descriptor.

*TranslationType* is an optional argument that specifies whether the resource type on the secondary side of the bus is different (**TypeTranslation**) from that on the primary side of the bus or the same (**TypeStatic**). If *TypeTranslation* is specified, then the secondary side of the bus is Memory. If *TypeStatic* is specified, then the secondary side of the bus is I/O. If nothing is specified, then *TypeStatic* is assumed. The 1-bit field *DescriptorName.\_TTP* is automatically created to refer to this portion of the resource descriptor, where '1' is *TypeTranslation* and '0' is *TypeStatic*. See *\_TTP* (page 248) for more information.

*TranslationDensity* is an optional argument that specifies whether or not the translation from the primary to secondary bus is sparse (**SparseTranslation**) or dense (**DenseTranslation**). It is only used when *TranslationType* is **TypeTranslation**. If nothing is specified, then *DenseTranslation* is assumed. The 1-bit field *DescriptorName.\_TRS* is automatically created to refer to this portion of the resource descriptor, where '1' is *SparseTranslation* and '0' is *DenseTranslation*. See *\_TRS* (page 248) for more information.

*TypeSpecificAttributes* is an optional argument that specifies attributes specific to this resource type. See section 6.4.3.5.4.1, "Type Specific Attributes".

*DescriptorName* is an optional argument that specifies a name for an integer constant that will be created in the current scope that contains the offset of this resource descriptor within the current resource template buffer. The predefined descriptor field names may be appended to this name to access individual fields within the descriptor via the Buffer Field operators *Description*

The **ExtendedIO** macro evaluates to a buffer which contains a 64-bit I/O resource descriptor, which describes a range of I/O addresses. The format of the 64-bit I/O resource descriptor can be found in "Extended Address Space Descriptor" (page 242). The macro is designed to be used inside of a *ResourceTemplate* (page 544).

## 18.5.40 ExtendedMemory (Extended Memory Resource Descriptor Macro)

### Syntax

```
ExtendedMemory (ResourceUsage, Decode, IsMinFixed, IsMaxFixed, Cacheable,  
ReadAndWrite, AddressGranularity, AddressMinimum, AddressMaximum,  
AddressTranslation, RangeLength, TypeSpecificAttributes,  
DescriptorName, MemoryType, TranslationType)
```

### Arguments

*ResourceUsage* specifies whether the Memory range is consumed by this device (**ResourceConsumer**) or passed on to child devices (**ResourceProducer**). If nothing is specified, then ResourceConsumer is assumed.

*Decode* specifies whether or not the device decodes the Memory range using positive (**PosDecode**) or subtractive (**SubDecode**) decode. If nothing is specified, then PosDecode is assumed. The 1-bit field *DescriptorName*.\_DEC is automatically created to refer to this portion of the resource descriptor, where '1' is SubDecode and '0' is PosDecode.

*IsMinFixed* specifies whether the minimum address of this Memory range is fixed (**MinFixed**) or can be changed (**MinNotFixed**). If nothing is specified, then MinNotFixed is assumed. The 1-bit field *DescriptorName*.\_MIF is automatically created to refer to this portion of the resource descriptor, where '1' is MinFixed and '0' is MinNotFixed.

*IsMaxFixed* specifies whether the maximum address of this Memory range is fixed (**MaxFixed**) or can be changed (**MaxNotFixed**). If nothing is specified, then MaxNotFixed is assumed. The 1-bit field *DescriptorName*.\_MAF is automatically created to refer to this portion of the resource descriptor, where '1' is MaxFixed and '0' is MaxNotFixed.

*Cacheable* specifies whether or not the memory region is cacheable (**Cacheable**), cacheable and write-combining (**WriteCombining**), cacheable and prefetchable (**Prefetchable**) or uncacheable (**NonCacheable**). If nothing is specified, then NonCacheable is assumed. The 2-bit field *DescriptorName*.\_MEM is automatically created to refer to this portion of the resource descriptor, where '1' is Cacheable, '2' is WriteCombining, '3' is Prefetchable and '0' is NonCacheable.

*ReadAndWrite* specifies whether or not the memory region is read-only (**ReadOnly**) or read/write (**ReadWrite**). If nothing is specified, then ReadWrite is assumed. The 1-bit field *DescriptorName*.\_RW is automatically created to refer to this portion of the resource descriptor, where '1' is ReadWrite and '0' is ReadOnly.

*AddressGranularity* evaluates to a 64-bit integer that specifies the power-of-two boundary (- 1) on which the Memory range must be aligned. The 64-bit field *DescriptorName*.\_GRA is automatically created to refer to this portion of the resource descriptor.

*AddressMinimum* evaluates to a 64-bit integer that specifies the lowest possible base address of the Memory range. The value must have '0' in all bits where the corresponding bit in *AddressGranularity* is '1'. For bridge devices which translate addresses, this is the address on the secondary bus. The 64-bit field *DescriptorName*.\_MIN is automatically created to refer to this portion of the resource descriptor.

*AddressMaximum* evaluates to a 64-bit integer that specifies the highest possible base address of the Memory range. The value must have '0' in all bits where the corresponding bit in *AddressGranularity* is '1'. For bridge devices which translate addresses, this is the address on the secondary bus. The 64-bit field *DescriptorName*.\_MAX is automatically created to refer to this portion of the resource descriptor.

*AddressTranslation* evaluates to a 64-bit integer that specifies the offset to be added to a secondary bus I/O address which results in the corresponding primary bus I/O address. For all non-bridge devices or bridges which do not perform translation, this must be '0'. The 64-bit field *DescriptorName*.\_TRA is automatically created to refer to this portion of the resource descriptor.

*RangeLength* evaluates to a 64-bit integer that specifies the total number of bytes decoded in the Memory range. The 64-bit field *DescriptorName*. *\_LEN* is automatically created to refer to this portion of the resource descriptor.

*DescriptorName* is an optional argument that specifies a name for an integer constant that will be created in the current scope that contains the offset of this resource descriptor within the current resource template buffer. The predefined descriptor field names may be appended to this name to access individual fields within the descriptor via the Buffer Field operators.

*MemoryType* is an optional argument that specifies the memory usage. The memory can be marked as normal (**AddressRangeMemory**), used as ACPI NVS space (**AddressRangeNVS**), used as ACPI reclaimable space (**AddressRangeACPI**) or as system reserved (**AddressRangeReserved**). If nothing is specified, then **AddressRangeMemory** is assumed. The 2-bit field *DescriptorName*. *\_MTP* is automatically created in order to refer to this portion of the resource descriptor, where '0' is **AddressRangeMemory**, '1' is **AddressRangeReserved**, '2' is **AddressRangeACPI** and '3' is **AddressRangeNVS**.

*TranslationType* is an optional argument that specifies whether the resource type on the secondary side of the bus is different (**TypeTranslation**) from that on the primary side of the bus or the same (**TypeStatic**). If **TypeTranslation** is specified, then the secondary side of the bus is I/O. If **TypeStatic** is specified, then the secondary side of the bus is I/O. If nothing is specified, then **TypeStatic** is assumed. The 1-bit field *DescriptorName*. *\_TTP* is automatically created to refer to this portion of the resource descriptor, where '1' is **TypeTranslation** and '0' is **TypeStatic**. See *\_TTP* (page 248) for more information.

*TypeSpecificAttributes* is an optional argument that specifies attributes specific to this resource type. See section 6.4.3.5.4.1, "Type Specific Attributes".

## Description

The **ExtendedMemory** macro evaluates to a buffer which contains a 64-bit memory resource descriptor, which describes a range of memory addresses. The format of the 64-bit memory resource descriptor can be found in "Extended Address Space Descriptor" (page 242). The macro is designed to be used inside of a ResourceTemplate (page 544).

## 18.5.41 ExtendedSpace (Extended Address Space Resource Descriptor Macro)

### Syntax

```
ExtendedSpace (ResourceType, ResourceUsage, Decode, IsMinFixed, IsMaxFixed,  
TypeSpecificFlags, AddressGranularity, AddressMinimum, AddressMaximum,  
AddressTranslation, RangeLength, TypeSpecificAttributes,  
DescriptorName)
```

### Arguments

*ResourceType* evaluates to an 8-bit integer that specifies the type of this resource. Acceptable values are 0xC0 through 0xFF.

*ResourceUsage* specifies whether the Memory range is consumed by this device (**ResourceConsumer**) or passed on to child devices (**ResourceProducer**). If nothing is specified, then **ResourceConsumer** is assumed.

*Decode* specifies whether or not the device decodes the Memory range using positive (**PosDecode**) or subtractive (**SubDecode**) decode. If nothing is specified, then **PosDecode** is assumed. The 1-bit field *DescriptorName*. *\_DEC* is automatically created to refer to this portion of the resource descriptor, where '1' is **SubDecode** and '0' is **PosDecode**.



*IsMinFixed* specifies whether the minimum address of this Memory range is fixed (**MinFixed**) or can be changed (**MinNotFixed**). If nothing is specified, then MinNotFixed is assumed. The 1-bit field *DescriptorName*. *\_MIF* is automatically created to refer to this portion of the resource descriptor, where ‘1’ is MinFixed and ‘0’ is MinNotFixed.

*IsMaxFixed* specifies whether the maximum address of this Memory range is fixed (**MaxFixed**) or can be changed (**MaxNotFixed**). If nothing is specified, then MaxNotFixed is assumed. The 1-bit field *DescriptorName*. *\_MAF* is automatically created to refer to this portion of the resource descriptor, where ‘1’ is MaxFixed and ‘0’ is MaxNotFixed.

*TypeSpecificFlags* evaluates to an 8-bit integer. The flags are specific to the *ResourceType*.

*AddressGranularity* evaluates to a 64-bit integer that specifies the power-of-two boundary (- 1) on which the Memory range must be aligned. The 64-bit field *DescriptorName*. *\_GRA* is automatically created to refer to this portion of the resource descriptor.

*AddressMinimum* evaluates to a 64-bit integer that specifies the lowest possible base address of the Memory range. The value must have ‘0’ in all bits where the corresponding bit in *AddressGranularity* is ‘1’. For bridge devices which translate addresses, this is the address on the secondary bus. The 64-bit field *DescriptorName*. *\_MIN* is automatically created to refer to this portion of the resource descriptor.

*AddressMaximum* evaluates to a 64-bit integer that specifies the highest possible base address of the Memory range. The value must have ‘0’ in all bits where the corresponding bit in *AddressGranularity* is ‘1’. For bridge devices which translate addresses, this is the address on the secondary bus. The 64-bit field *DescriptorName*. *\_MAX* is automatically created to refer to this portion of the resource descriptor.

*AddressTranslation* evaluates to a 64-bit integer that specifies the offset to be added to a secondary bus I/O address which results in the corresponding primary bus I/O address. For all non-bridge devices or bridges which do not perform translation, this must be ‘0’. The 64-bit field *DescriptorName*. *\_TRA* is automatically created to refer to this portion of the resource descriptor.

*RangeLength* evaluates to a 64-bit integer that specifies the total number of bytes decoded in the Memory range. The 64-bit field *DescriptorName*. *\_LEN* is automatically created to refer to this portion of the resource descriptor.

*TypeSpecificAttributes* is an optional argument that specifies attributes specific to this resource type. See section 6.4.3.5.4.1, “Type Specific Attributes”.

*DescriptorName* is an optional argument that specifies a name for an integer constant that will be created in the current scope that contains the offset of this resource descriptor within the current resource template buffer. The predefined descriptor field names may be appended to this name to access individual fields within the descriptor via the Buffer Field operators.

## Description

The **ExtendedSpace** macro evaluates to a buffer which contains a 64-bit Address Space resource descriptor, which describes a range of addresses. The format of the 64-bit AddressSpace descriptor can be found in “Extended Address Space Descriptor” (page 242). The macro is designed to be used inside of a ResourceTemplate (page 544).

## 18.5.42 External (Declare External Objects)

### Syntax

```
External (ObjectName, ObjectType, ReturnType, ParameterTypes)
```

### Arguments

*ObjectName* is a NameString.

*ObjectType* is an optional *ObjectTypeKeyword* (e.g. **IntObj**, **PkgObj**, etc.). If not specified, “**UnknownObj**” type is assumed.

*ReturnType* is optional. If the specified *ObjectType* is **MethodObj**, then this specifies the type or types of object returned by the method. If the method does not return an object, then nothing is specified or **UnknownObj** is specified. To specify a single return type, simply use the *ObjectTypeKeyword*. To specify multiple possible return types, enclose the comma-separated *ObjectTypeKeywords* with braces. For example: **{IntObj, BuffObj}**.

*ParameterTypes* is optional. If the specified *ObjectType* is **MethodObj**, this specifies both the number and type of the method parameters. It is a comma-separated, variable-length list of the expected object type or types for each of the method parameters, enclosed in braces. For each parameter, the parameter type consists of either an *ObjectTypeKeyword* or a comma-separated sub-list of *ObjectTypeKeywords* enclosed in braces. There can be no more than seven parameters in total.

The **External** directive informs the ASL compiler that the object is declared external to this table so that no errors will be generated for an undeclared object. The ASL compiler will create the external object at the specified place in the namespace (if a full path of the object is specified), or the object will be created at the current scope of the **External** term.

**External** is especially useful for use in secondary SSDTs, when the required scopes and objects are declared in the main DSDT.

### Example

This example shows the use of **External** in conjunction with **Scope** within an SSDT:

```
DefinitionBlock ("ssdt.aml", "SSDT", 2, "X", "Y", 0x00000001)
{
    External (\_SB.PCI0, DeviceObj)

    Scope (\_SB.PCI0)
    {
    }
}
```

## 18.5.43 Fatal (Fatal Error Check)

### Syntax

```
Fatal (Type, Code, Arg)
```

### Arguments

This operation is used to inform the OS that there has been an OEM-defined fatal error.

### Description

In response, the OS must log the fatal event and perform a controlled OS shutdown in a timely fashion.

## 18.5.44 Field (Declare Field Objects)

### Syntax

```
Field (RegionName, AccessType, LockRule, UpdateRule) {FieldUnitList}
```

### Arguments

*RegionName* is a namestring that refers to the host operation region.

*AccessType* defines the default access width of the field definition and is any one of the following: **AnyAcc**, **ByteAcc**, **WordAcc**, **DWordAcc**, or **QWordAcc**. In general, accesses within the parent object are performed naturally aligned. If desired, *AccessType* set to a value other than **AnyAcc** can be used to force minimum access width. Notice that the parent object must be able to accommodate the *AccessType* width. For example, an access type of **WordAcc** cannot read the last byte of an odd-length operation region. The exceptions to natural alignment are the access types used for a non-linear SMBus device. These will be discussed in detail below. Not all access types are meaningful for every type of operational region.

*LockRule* is a flag that indicates whether the Global Lock is to be used when accessing this field and is one of the following: **Lock** or **NoLock**. If *LockRule* is set to **Lock**, accesses to modify the component data objects will acquire and release the Global Lock. If both types of locking occur, the Global Lock is acquired after the parent object Mutex.

*UpdateRule* is used to specify how the unmodified bits of a field are treated and is any one of the following: **Preserve**, **WriteAsOnes**, or **WriteAsZeros**. For example, if a field defines a component data object of 4 bits in the middle of a **WordAcc** region, when those 4 bits are modified the *UpdateRule* specifies how the other 12 bits are treated.

*FieldUnitList* is a variable-length list of individual field unit definitions, separated by commas. Each entry in the field unit list is one of the following:

<i>FieldUnitName</i> , <i>BitLength</i>
<b>Offset</b> ( <i>ByteOffset</i> )
<b>AccessAs</b> ( <i>AccessType</i> , <i>AccessAttribute</i> )

*FieldUnitName* is the ACPI name for the field unit (1 to 4 characters), and *BitLength* is the length of the field unit in bits. **Offset** is used to specify the byte offset of the next defined field unit. This can be used instead of defining the bit lengths that need to be skipped. **AccessAs** is used to define the access type and attributes for the remaining field units within the list.

## Description

Declares a series of named data objects whose data values are fields within a larger object. The fields are parts of the object named by *RegionName*, but their names appear in the same scope as the **Field** term.

For example, the field operator allows a larger operation region that represents a hardware register to be broken down into individual bit fields that can then be accessed by the bit field names. Extracting and combining the component field from its parent is done automatically when the field is accessed.

When reading from a *FieldUnit*, returned values are normalized (shifted and masked to the proper length.) The data type of an individual FieldUnit can be either a **Buffer** or an **Integer**, depending on the bit length of the FieldUnit. If the FieldUnit is smaller than or equal to the size of an Integer (in bits), it will be treated as an Integer. If the FieldUnit is larger than the size of an Integer, it will be treated as a Buffer. The size of an Integer is indicated by the DSDT header's *Revision* field. A revision less than 2 indicates that the size of an Integer is 32 bits. A value greater than or equal to 2 signifies that the size of an Integer is 64 bits. For more information about data types and FieldUnit type conversion rules, see section 18.2.5.7, "Data Type Conversion Rules".

Accessing the contents of a field data object provides access to the corresponding field within the parent object. If the parent object supports Mutex synchronization, accesses to modify the component data objects will acquire and release ownership of the parent object around the modification.

The following table relates region types declared with an OperationRegion term to the different access types supported for each region.

**Table 18-18 OperationRegion Region Types and Access Types**

Region Type	Permitted Access Type(s)	Description
SystemMemory	<b>ByteAcc, WordAcc, DWordAcc, QWordAcc, or AnyAcc</b>	All access allowed
SystemIO	<b>ByteAcc, WordAcc, DWordAcc, QWordAcc, or AnyAcc</b>	All access allowed
PCI_Config	<b>ByteAcc, WordAcc, DWordAcc, QWordAcc, or AnyAcc</b>	All access allowed
EmbeddedControl	<b>ByteAcc</b>	Byte access only
SMBus	<b>BufferAcc</b>	Reads and writes to this operation region involve the use of a region specific data buffer. (See below.)
CMOS	<b>ByteAcc</b>	Byte access only
PciBarTarget	<b>ByteAcc, WordAcc, DWordAcc, QWordAcc, or AnyAcc</b>	All access allowed
IPMI	<b>BufferAcc</b>	Reads and writes to this operation region involve the use of a region specific data buffer. (See below.)

The named FieldUnit data objects are provided in the FieldList as a series of names and bit widths. Bits assigned no name (or NULL) are skipped. The ASL compiler supports the **Offset** (ByteOffset) macro within a FieldList to skip to the bit position of the supplied byte offset, and the **AccessAs** macro to change access within the field list.

SMBus and IPMI regions are inherently non-linear, where each offset within the respective address space represents a variable sized (0 to 32 bytes) field. Given this uniqueness, these operation regions include restrictions on their field definitions and require the use of a region-specific data buffer when initiating transactions. For more information on the SMBus data buffer format, see section 14, “ACPI System Management Bus Interface Specification,”. For more information on the IPMI data buffer format, see section 5.5.2.4.3, “Declaring IPMI Operation Regions”.

### Example

```

OperationRegion (MIOC, PCI_Config, Zero, 0xFF)
Field (MIOC, AnyAcc, NoLock, Preserve)
{
    Offset    (0x58),
    HXGB,    32,
    HXGT,    32,
    GAPE,    8,
    MROA,    4,
    MROB,    4
}

```

### 18.5.45 FindSetLeftBit (Find First Set Left Bit)

#### Syntax

```
FindSetLeftBit (Source, Result) => Integer
```

#### Arguments

*Source* is evaluated as an Integer.

#### Description

The one-based bit location of the first MSb (most significant set bit) is optionally stored into *Result*. The result of 0 means no bit was set, 1 means the left-most bit set is the first bit, 2 means the left-most bit set is the second bit, and so on.

### 18.5.46 FindSetRightBit (Find First Set Right Bit)

#### Syntax

```
FindSetRightBit (Source, Result) => Integer
```

#### Arguments

*Source* is evaluated as an Integer.

#### Description

The one-based bit location of the most LSb (least significant set bit) is optionally stored in *Result*. The result of 0 means no bit was set, 32 means the first bit set is the thirty-second bit, 31 means the first bit set is the thirty-first bit, and so on.

### 18.5.47 FixedIO (Fixed IO Resource Descriptor Macro)

#### Syntax

```
FixedIO (AddressBase, RangeLength, DescriptorName) => Buffer
```

#### Arguments

*AddressBase* evaluates to a 16-bit integer. It describes the starting address of the fixed I/O range. The field *DescriptorName*. *\_BAS* is automatically created to refer to this portion of the resource descriptor.

*RangeLength* evaluates to an 8-bit integer. It describes the length of the fixed I/O range. The field *DescriptorName*. *\_LEN* is automatically created to refer to this portion of the resource descriptor.

*DescriptorName* evaluates to a name string which refers to the entire resource descriptor.

#### Description

The **FixedIO** macro evaluates to a buffer which contains a fixed I/O resource descriptor. The format of the fixed I/O resource descriptor can be found in “Fixed Location I/O Port Descriptor” (page 228). The macro is designed to be used inside of a ResourceTemplate (page 544).

### 18.5.48 FromBCD (Convert BCD To Integer)

#### Syntax

```
FromBCD (BCDValue, Result) => Integer
```

#### Arguments

*BCDValue* is evaluated as an Integer.

#### Description

The **FromBCD** operation is used to convert *BCDValue* to a numeric format and store the numeric value into *Result*.

### 18.5.49 Function (Declare Control Method)

#### Syntax

```
Function (FunctionName, ReturnType, ParameterTypes) {TermList}
```

#### Arguments

*ReturnType* is optional and specifies the type(s) of the object(s) returned by the method. If the method does not return an object, then nothing is specified or **UnknownObj** is specified. To specify a single return type, simply use the *ObjectTypeKeyword* (e.g. **IntObj**, **PkgObj**, etc.). To specify multiple possible return types, enclose the comma-separated *ObjectTypeKeywords* with braces. For example: {**IntObj**, **BuffObj**}.

*ParameterTypes* specifies both the number and type of the method parameters. It is a comma-separated, variable-length list of the expected object type or types for each of the method parameters, enclosed in braces. For each parameter, the parameter type consists of either an *ObjectTypeKeyword* or a comma-separated sub-list of *ObjectTypeKeywords* enclosed in braces. There can be no more than seven parameters in total.

#### Description

**Function** declares a named package containing a series of terms that collectively represent a control method. A control method is a procedure that can be invoked to perform computation. **Function** opens a name scope.

System software executes a control method by executing the terms in the package in order. For more information on method execution, see section 5.5.2, “Control Method Execution.”

The current namespace location used during name creation is adjusted to be the current location on the namespace tree. Any names created within this scope are “below” the name of this package. The current namespace location is assigned to the method package, and all namespace references that occur during control method execution for this package are relative to that location.

Functions are equivalent to a **Method** that specifies **NotSerialized**. As such, a function should not create any named objects, since a second thread that might re-enter the function will cause a fatal error if an attempt is made to create the same named object twice.

**Compatibility Note:** New for ACPI 3.0

**Example**

The following block of ASL sample code shows the use of **Function** for defining a control method:

```
Function (EXAM, IntObj, {StrObj, {IntObj, StrObj}})
{
    Name (Temp, "")
    Store (Arg0, Temp)           // could have used Arg1
    Return (SizeOf (Concatenate (Arg1, Temp)))
}
```

This declaration is equivalent to:

```
Method (EXAM, 2, NotSerialized, 0, IntObj, {StrObj, {IntObj, StrObj}})
{
    ...
}
```

**18.5.50 If (Conditional Execution)****Syntax**

```
If (Predicate) {TermList}
```

**Arguments**

*Predicate* is evaluated as an Integer.

**Description**

If the *Predicate* is non-zero, the term list of the **If** term is executed.

**Example**

The following examples all check for bit 3 in **Local0** being set, and clear it if set.

```
// example 1

If (And (Local0, 4))
{
    XOr (Local0, 4, Local0)
}

// example 2

Store (4, Local2)
If (And (Local0, Local2))
{
    XOr (Local0, Local2, Local0)
}
```

**18.5.51 Include (Include Additional ASL File)****Syntax**

```
Include (FilePathName)
```

**Arguments**

*FilePathname* is a StringData data type that contains the full OS file system path.

**Description**

Include another file that contains ASL terms to be inserted in the current file of ASL terms. The file must contain elements that are grammatically correct in the current scope.

**Example**

```
Include ("dataobj.asl")
```

**18.5.52 Increment (Integer Increment)****Syntax**

```
Increment (Addend) => Integer
```

**Arguments**

*Addend* is evaluated as an Integer.

**Description**

Add one to the *Addend* and place the result back in *Addend*. Equivalent to **Add** (*Addend*, 1, *Addend*). Overflow conditions are ignored and the result of an overflow is zero.

**18.5.53 Index (Indexed Reference To Member Object)****Syntax**

```
Index (Source, Index, Destination) => ObjectReference
```

**Arguments**

*Source* is evaluated to a buffer, string, or package data type. *Index* is evaluated to an integer. The reference to the *n*th object (where *n* = *Index*) within *Source* is optionally stored as a reference into *Destination*.

**Description**

When *Source* evaluates to a Buffer, *Index* returns a reference to a Buffer Field containing the *n*th byte in the buffer. When *Source* evaluates to a String, *Index* returns a reference to a Buffer Field containing the *n*th character in the string. When *Source* evaluates to a Package, *Index* returns a reference to the *n*th object in the package.

**18.5.53.1 Index with Packages**

The following example ASL code shows a way to use the **Index** term to store into a local variable the sixth element of the first package of a set of nested packages:



```

Name (I00D, Package () {
    Package () {
        0x01, 0x03F8, 0x03F8, 0x01, 0x08, 0x01, 0x25, 0xFF, 0xFE, 0x00, 0x00
    },
    Package () {
        0x01, 0x02F8, 0x02F8, 0x01, 0x08, 0x01, 0x25, 0xFF, 0xBE, 0x00, 0x00
    },
    Package () {
        0x01, 0x03E8, 0x03E8, 0x01, 0x08, 0x01, 0x25, 0xFF, 0xFA, 0x00, 0x00
    },
    Package () {
        0x01, 0x02E8, 0x02E8, 0x01, 0x08, 0x01, 0x25, 0xFF, 0xBA, 0x00, 0x00
    },
    Package() {
        0x01, 0x0100, 0x03F8, 0x08, 0x08, 0x02, 0x25, 0x20, 0x7F, 0x00, 0x00
    }
})

// Get the 6th element of the first package

Store (DeRefOf (Index (DeRefOf (Index (I00D, 0)), 5)), Local0)

```

**Note:** **DeRefOf** is necessary in the first operand of the **Store** operator in order to get the actual object, rather than just a reference to the object. If **DeRefOf** were not used, then **Local0** would contain an object reference to the sixth element in the first package rather than the number 1.

### 18.5.53.2 Index with Buffers

The following example ASL code shows a way to store into the third byte of a buffer:

```

Name (BUFF, Buffer () {0x01, 0x02, 0x03, 0x04, 0x05})

// Store 0x55 into the third byte of the buffer

Store (0x55, Index (BUFF, 2))

```

The **Index** operator returns a reference to an 8-bit Buffer Field (similar to that created using **CreateByteField**).

If *Source* is evaluated to a buffer data type, the *ObjectReference* refers to the byte at *Index* within *Source*. If *Source* is evaluated to a buffer data type, a **Store** operation will only change the byte at *Index* within *Source*.

The following example ASL code shows the results of a series of **Store** operations:

```

Name (SRCB, Buffer () {0x10, 0x20, 0x30, 0x40})
Name (BUFF, Buffer () {0x1, 0x2, 0x3, 0x4})

```

The following will store 0x78 into the 3<sup>rd</sup> byte of the destination buffer:

```
Store (0x12345678, Index (BUFF, 2))
```

The following will store 0x10 into the 2<sup>nd</sup> byte of the destination buffer:

```
Store (SRCB, Index (BUFF, 1))
```

The following will store 0x41 (an 'A') into the 4<sup>th</sup> byte of the destination buffer:

```
Store ("ABCDEFGH", Index (BUFF, 3))
```

**Compatibility Note:** First introduced in ACPI 2.0. In ACPI 1.0, the behavior of storing data larger than 8-bits into a buffer using **Index** was undefined.

### 18.5.53.3 Index with Strings

The following example ASL code shows a way to store into the 3<sup>rd</sup> character in a string:

```
Name (STR, "ABCDEFGHijkl")
// Store 'H' (0x48) into the third character to the string
Store ("H", Index (STR, 2))
```

The **Index** operator returns a reference to an 8-bit Buffer Field (similar to that created using **CreateByteField**).

**Compatibility Note:** First introduced in ACPI 2.0.

### 18.5.54 IndexField (Declare Index/Data Fields)

#### Syntax

```
IndexField (IndexName, DataName, AccessType, LockRule, UpdateRule)
    {FieldUnitList}
```

#### Arguments

*IndexName* and *DataName* refer to field unit objects. *AccessType*, *LockRule*, *UpdateRule*, and *FieldList* are the same format as the **Field** term.

#### Description

Creates a series of named data objects whose data values are fields within a larger object accessed by an index/data-style reference to *IndexName* and *DataName*.

This encoding is used to define named data objects whose data values are fields within an index/data register pair. This provides a simple way to declare register variables that occur behind a typical index and data register pair.

Accessing the contents of an indexed field data object will automatically occur through the *DataName* object by using an *IndexName* object aligned on an *AccessType* boundary, with synchronization occurring on the operation region that contains the index data variable, and on the Global Lock if specified by *LockRule*.

The value written to the *IndexName* register is defined to be a byte offset that is aligned on an *AccessType* boundary. For example, if *AccessType* is **DWordAcc**, valid index values are 0, 4, 8, etc. This value is always a byte offset and is independent of the width or access type of the *DataName* register.

#### Example

The following is a block of ASL sample code using **IndexField**:

Creates an index/data register in system I/O space made up of 8-bit registers.

- Creates a FET0 field within the indexed range.

```

Method (EX1) {
    // Define a 256-byte operational region in SystemIO space
    // and name it GIO0

    OperationRegion (GIO0, 1, 0x125, 0x100)

    // Create a field named Preserve structured as a sequence
    // of index and data bytes

    Field (GIO0, ByteAcc, NoLock, WriteAsZeros) {
        IDX0, 8,
        DAT0, 8,
        .
        .
    }
    // Create an IndexField within IDX0 & DAT0 which has
    // FETs in the first two bits of indexed offset 0,
    // and another 2 FETs in the high bit on indexed
    // 2F and the low bit of indexed offset 30

    IndexField (IDX0, DAT0, ByteAcc, NoLock, Preserve) {
        FET0, 1,
        FET1, 1,
        Offset (0x2f), // skip to byte offset 2f
        , 7, // skip another 7 bits
        FET3, 1,
        FET4, 1
    }

    // Clear FET3 (index 2F, bit 7)

    Store (Zero, FET3)

} // End EX1

```

## 18.5.55 Interrupt (Interrupt Resource Descriptor Macro)

### Syntax

```

Interrupt (ResourceUsage, EdgeLevel, ActiveLevel, Shared,
            ResourceSourceIndex, ResourceSource, DescriptorName) {InterruptList} =>
            Buffer

```

### Arguments

*ResourceUsage* describes whether the device consumes the specified interrupt (**ResourceConsumer**) or produces it for use by a child device (**ResourceProducer**). If nothing is specified, then **ResourceConsumer** is assumed.

*EdgeLevel* describes whether the interrupt is edge triggered (**Edge**) or level triggered (**Level**). The field *DescriptorName*. **\_HE** is automatically created to refer to this portion of the resource descriptor, where '1' is Edge and '0' is Level.

*ActiveLevel* describes whether the interrupt is active-high (**ActiveHigh**) or active-low (**ActiveLow**). The field *DescriptorName*. **\_LL** is automatically created to refer to this portion of the resource descriptor, where '1' is ActiveHigh and '0' is ActiveLow.

*Shared* describes whether the interrupt can be shared with other devices (**Shared**) or not (**Exclusive**). The field *DescriptorName*. **\_SHR** is automatically created to refer to this portion of the resource descriptor, where '1' is Shared and '0' is Exclusive. If nothing is specified, then Exclusive is assumed.

*ResourceSourceIndex* evaluates to an integer between 0x00 and 0xFF and describes the resource source index. If it is not specified, then it is not generated. If this argument is specified, the *ResourceSource* argument must also be specified.

*ResourceSource* evaluates to a string which uniquely identifies the resource source. If it is not specified, it is not generated. If this argument is specified, but the *ResourceSourceIndex* argument is not specified, a zero value is assumed.

*DescriptorName* evaluates to a name string which refers to the entire resource descriptor.

*InterruptList* is a comma-delimited list on integers, at least one value is required. Each integer represents a 32-bit interrupt number. At least one interrupt must be defined, and there may be no duplicates in the list. The field “*DescriptorName*. \_INT” is automatically created to refer to this portion of the resource descriptor.

## Description

The **Interrupt** macro evaluates to a buffer that contains an interrupt resource descriptor. The format of the interrupt resource descriptor can be found in “Extended Interrupt Descriptor” (page 249). The macro is designed to be used inside of a ResourceTemplate (page 544).

## 18.5.56 IO (IO Resource Descriptor Macro)

### Syntax

```
IO (Decode, AddressMin, AddressMax, AddressAlignment, RangeLength,
    DescriptorName) => Buffer
```

### Argument

*Decode* describes whether the I/O range uses 10-bit decode (**Decode10**) or 16-bit decode (**Decode16**). The field *DescriptorName*. \_DEC is automatically created to refer to this portion of the resource descriptor, where ‘1’ is **Decode16** and ‘0’ is **Decode10**.

*AddressMin* evaluates to a 16-bit integer that specifies the minimum acceptable starting address for the I/O range. It must be an even multiple of *AddressAlignment*. The field *DescriptorName*. \_MIN is automatically created to refer to this portion of the resource descriptor.

*AddressMax* evaluates to a 16-bit integer that specifies the maximum acceptable starting address for the I/O range. It must be an even multiple of *AddressAlignment*. The field *DescriptorName*. \_MAX is automatically created to refer to this portion of the resource descriptor.

*AddressAlignment* evaluates to an 8-bit integer that specifies the alignment granularity for the I/O address assigned. The field *DescriptorName*. \_ALN is automatically created to refer to this portion of the resource descriptor.

*RangeLength* evaluates to an 8-bit integer that specifies the number of bytes in the I/O range. The field *DescriptorName*. \_LEN is automatically created to refer to this portion of the resource descriptor.

*DescriptorName* is an optional argument that specifies a name for an integer constant that will be created in the current scope that contains the offset of this resource descriptor within the current resource template buffer. The predefined descriptor field names may be appended to this name to access individual fields within the descriptor via the Buffer Field operators.

## Description

The **IO** macro evaluates to a buffer which contains an IO resource descriptor. The format of the IO descriptor can be found in “I/O Port Descriptor” (page 227). The macro is designed to be used inside of a ResourceTemplate (page 544).

## 18.5.57 IRQ (Interrupt Resource Descriptor Macro)

### Syntax

```
IRQ (EdgeLevel, ActiveLevel, Shared, DescriptorName) {InterruptList} =>
    Buffer
```

### Arguments

*EdgeLevel* describes whether the interrupt is edge triggered (**Edge**) or level triggered (**Level**). The field *DescriptorName*. *\_HE* is automatically created to refer to this portion of the resource descriptor, where '1' is **Edge** and **ActiveHigh** and '0' is **Level** and **ActiveLow**.

*ActiveLevel* describes whether the interrupt is active-high (**ActiveHigh**) or active-low (**ActiveLow**). The field *DescriptorName*. *\_LL* is automatically created to refer to this portion of the resource descriptor, where '1' is **Edge** and **ActiveHigh** and '0' is **Level** and **ActiveLow**.

*Shared* describes whether the interrupt can be shared with other devices (**Shared**) or not (**Exclusive**). The field *DescriptorName*. *\_SHR* is automatically created to refer to this portion of the resource descriptor, where '1' is **Shared** and '0' is **Exclusive**. If nothing is specified, then **Exclusive** is assumed.

*DescriptorName* is an optional argument that specifies a name for an integer constant that will be created in the current scope that contains the offset of this resource descriptor within the current resource template buffer. The predefined descriptor field names may be appended to this name to access individual fields within the descriptor via the Buffer Field operators.

*InterruptList* is a comma-delimited list of integers in the range 0 through 15, at least one value is required. There may be no duplicates in the list.

### Description

The **IRQ** macro evaluates to a buffer that contains an IRQ resource descriptor. The format of the IRQ descriptor can be found in "IRQ Descriptor" (page 225). The macro produces the three-byte form of the descriptor. The macro is designed to be used inside of a ResourceTemplate (page 544).

## 18.5.58 IRQNoFlags (Interrupt Resource Descriptor Macro)

### Syntax

```
IRQNoFlags (DescriptorName) {InterruptList} => Buffer
```

### Arguments

*DescriptorName* is an optional argument that specifies a name for an integer constant that will be created in the current scope that contains the offset of this resource descriptor within the current resource template buffer.

*InterruptList* is a comma-delimited list of integers in the range 0 through 15, at least one value is required. There may be no duplicates in the list

The **IRQNoFlags** macro evaluates to a buffer which contains an active-high, edge-triggered IRQ resource descriptor. The format of the IRQ descriptor can be found in IRQ Descriptor (page 225). The macro produces the two-byte form of the descriptor. The macro is designed to be used inside of a ResourceTemplate (page 544).

### 18.5.59 LAnd (Logical And)

#### Syntax

```
LAnd (Source1, Source2) => Boolean
```

#### Arguments

*Source1* and *source2* are evaluated as integers.

#### Description

If both values are non-zero, True is returned; otherwise, False is returned.

### 18.5.60 LEqual (Logical Equal)

#### Syntax

```
LEqual (Source1, Source2) => Boolean
```

#### Arguments

*Source1* and *Source2* must each evaluate to an integer, a string, or a buffer. The data type of *Source1* dictates the required type of *Source2*. *Source2* is implicitly converted if necessary to match the type of *Source1*.

#### Description

If the values are equal, True is returned; otherwise, False is returned. For integers, a numeric compare is performed. For strings and buffers, True is returned only if both lengths are the same and the result of a byte-wise compare indicates exact equality.

### 18.5.61 LGreater (Logical Greater)

#### Syntax

```
LGreater (Source1, Source2) => Boolean
```

#### Arguments

*Source1* and *Source2* must each evaluate to an integer, a string, or a buffer. The data type of *Source1* dictates the required type of *Source2*. *Source2* is implicitly converted if necessary to match the type of *Source1*.

#### Description

If *Source1* is greater than *Source2*, True is returned; otherwise, False is returned. For integers, a numeric comparison is performed. For strings and buffers, a lexicographic comparison is performed. **True** is returned if a byte-wise (unsigned) compare discovers at least one byte in *Source1* that is numerically greater than the corresponding byte in *Source2*. **False** is returned if at least one byte in *Source1* is numerically less than the corresponding byte in *Source2*. In the case of byte-wise equality, **True** is returned if the length of *Source1* is greater than *Source2*, **False** is returned if the length of *Source1* is less than or equal to *Source2*.

## 18.5.62 LGreaterEqual (Logical Greater Than Or Equal)

### Syntax

```
LGreaterEqual (Source1, Source2) => Boolean
```

### Arguments

*Source1* and *Source2* must each evaluate to an integer, a string, or a buffer. The data type of *Source1* dictates the required type of *Source2*. *Source2* is implicitly converted if necessary to match the type of *Source1*.

### Description

If *Source1* is greater than or equal to *Source2*, True is returned; otherwise, False is returned. Equivalent to LNot(LLess()). See the description of the LLess operator.

## 18.5.63 LLess (Logical Less)

### Syntax

```
LLess (Source1, Source2) => Boolean
```

### Arguments

*Source1* and *Source2* must each evaluate to an integer, a string, or a buffer. The data type of *Source1* dictates the required type of *Source2*. *Source2* is implicitly converted if necessary to match the type of *Source1*.

### Description

If *Source1* is less than *Source2*, True is returned; otherwise, False is returned. For integers, a numeric comparison is performed. For strings and buffers, a lexicographic comparison is performed. **True** is returned if a byte-wise (unsigned) compare discovers at least one byte in *Source1* that is numerically less than the corresponding byte in *Source2*. **False** is returned if at least one byte in *Source1* is numerically greater than the corresponding byte in *Source2*. In the case of byte-wise equality, **True** is returned if the length of *Source1* is less than *Source2*, **False** is returned if the length of *Source1* is greater than or equal to *Source2*.

## 18.5.64 LLessEqual (Logical Less Than Or Equal)

### Syntax

```
LLessEqual (Source1, Source2) => Boolean
```

### Arguments

*Source1* and *Source2* must each evaluate to an integer, a string, or a buffer. The data type of *Source1* dictates the required type of *Source2*. *Source2* is implicitly converted if necessary to match the type of *Source1*.

### Description

If *Source1* is less than or equal to *Source2*, True is returned; otherwise False is returned. Equivalent to LNot(LGreater()). See the description of the LGreater operator.

### 18.5.65 LNot (Logical Not)

#### Syntax

```
LNot (Source) => Boolean
```

#### Arguments

*Source* is evaluated as an integer.

#### Description

If the value is zero True is returned; otherwise, False is returned.

### 18.5.66 LNotEqual (Logical Not Equal )

#### Syntax

```
LNotEqual (Source1, Source2) => Boolean
```

#### Arguments

*Source1* and *Source2* must each evaluate to an integer, a string, or a buffer. The data type of *Source1* dictates the required type of *Source2*. *Source2* is implicitly converted if necessary to match the type of *Source1*.

#### Description

If *Source1* is not equal to *Source2*, True is returned; otherwise False is returned. Equivalent to LNot (LEqual ( ) ). See the description of the LEqual operator.

### 18.5.67 Load (Load Definition Block)

#### Syntax

```
Load (Object, DDBHandle)
```

#### Arguments

The *Object* parameter can either refer to an operation region field or an operation region directly. If the object is an operation region, the operation region must be in SystemMemory space. The Definition Block should contain an ACPI DESCRIPTION\_HEADER of type SSDT. The Definition Block must be totally contained within the supplied operation region or operation region field. OSPM reads this table into memory, the checksum is verified, and then it is loaded into the ACPI namespace. The *DDBHandle* parameter is the handle to the Definition Block that can be used to unload the Definition Block at a future time via the Unload operator.

#### Description

Performs a run-time load of a Definition Block. Any table referenced by **Load** must be in memory marked as AddressRangeReserved or AddressRangeNVS.

The OS can also check the OEM Table ID and Revision ID against a database for a newer revision Definition Block of the same OEM Table ID and load it instead.

The default namespace location to load the Definition Block is relative to the root of the namespace. The new Definition Block can override this by specifying absolute names or by adjusting the namespace location using the **Scope** operator.



Loading a Definition Block is a synchronous operation. Upon completion of the operation, the Definition Block has been loaded. The control methods defined in the Definition Block are not executed during load time.

## 18.5.68 LoadTable (Load Definition Block From XSDT)

### Syntax

```
LoadTable (SignatureString, OEMIDString, OEMTableIDString, RootPathString,  
           ParameterPathString, ParameterData) => DDBHandle
```

### Arguments

The XSDT is searched for a table where the Signature field matches *SignatureString*, the OEM ID field matches *OEMIDString*, and the OEM Table ID matches *OEMTableIDString*. All comparisons are case sensitive. If the *SignatureString* is greater than four characters, the *OEMIDString* is greater than six characters, or the *OEMTableID* is greater than eight characters, a run-time error is generated. The OS can also check the OEM Table ID and Revision ID against a database for a newer revision Definition Block of the same OEM Table ID and load it instead.

The *RootPathString* specifies the root of the Definition Block. It is evaluated using normal scoping rules, assuming that the scope of the **LoadTable** instruction is the current scope. The new Definition Block can override this by specifying absolute names or by adjusting the namespace location using the **Scope** operator. If *RootPathString* is not specified, “\” is assumed.

If *ParameterPathString* and *ParameterData* are specified, the data object specified by *ParameterData* is stored into the object specified by *ParameterPathString* after the table has been added into the namespace. If the first character of *ParameterPathString* is a backslash (‘\’) or caret (‘^’) character, then the path of the object is *ParameterPathString*. Otherwise, it is *RootPathString.ParameterPathString*. If the specified object does not exist, a run-time error is generated.

The handle of the loaded table is returned. If no table matches the specified signature, then 0 is returned.

### Description

Performs a run-time load of a Definition Block from the XSDT. Any table referenced by **LoadTable** must be in memory marked by AddressRangeReserved or AddressRangeNVS. Note: OSPM loads the DSDT and all SSDTs during initialization. As such, Definition Blocks to be conditionally loaded via **LoadTable** must contain signatures other than “SSDT”.

Loading a Definition Block is a synchronous operation. Upon completion of the operation, the Definition Block has been loaded. The control methods defined in the Definition Block are not executed during load time.

### Example

```
Store (LoadTable ("OEM1", "MYOEM", "TABLE1", "\\_SB.PCI0", "MYD",  
                Package () {0, "\\_SB.PCI0"}), Local0)
```

This operation would search through the RSDT or XSDT for a table with the signature “OEM1,” the OEM ID of “MYOEM,” and the table ID of “TABLE1.” If not found, it would store **Zero** in Local0. Otherwise, it will store a package containing 0 and “\SB.PCI0” into the variable at \SB.PCI0.MYD.

### 18.5.69 Localx (Method Local Data Objects)

#### Syntax

```
Local0 | Local1 | Local2 | Local3 | Local4 | Local5 | Local6 | Local7
```

#### Description

Up to 8 local objects can be referenced in a control method. On entry to a control method, these objects are uninitialized and cannot be used until some value or reference is stored into the object. Once initialized, these objects are preserved in the scope of execution for that control method.

### 18.5.70 LOr (Logical Or)

#### Syntax

```
LOr (Source1, Source2) => Boolean
```

#### Arguments

*Source1* and *Source2* are evaluated as integers.

#### Description

If either value is non-zero, True is returned; otherwise, False is returned.

### 18.5.71 Match (Find Object Match)

#### Syntax

```
Match (SearchPackage, Op1, MatchObject1, Op2, MatchObject2, StartIndex) =>  
Ones | Integer
```

#### Arguments

*SearchPackage* is evaluated to a package object and is treated as a one-dimension array. Each package element must evaluate to either an integer, a string, or a buffer. Uninitialized package elements and elements that do not evaluate to integers, strings, or buffers are ignored. *Op1* and *Op2* are match operators. *MatchObject1* and *MatchObject2* are the objects to be matched and must each evaluate to either an integer, a string, or a buffer. *StartIndex* is the starting index within the *SearchPackage*.

#### Description

A comparison is performed for each element of the package, starting with the index value indicated by *StartIndex* (0 is the first element). If the element of *SearchPackage* being compared against is called *P[i]*, then the comparison is:

```
IF (P[i] Op1 MatchObject1) and (P[i] Op2 MatchObject2) then Match => i is returned.
```

If the comparison succeeds, the index of the element that succeeded is returned; otherwise, the constant object **Ones** is returned. The data type of the MatchObject dictates the required type of the package element. If necessary, the package element is implicitly converted to match the type of the MatchObject. If the implicit conversion fails for any reason, the package element is ignored (no match.)

*Op1* and *Op2* have the values and meanings listed in the Table 18-19.

**Table 18-19 Match Term Operator Meanings**

Operator	Encoding	Macro
<b>TRUE</b> – A don't care, always returns TRUE	0	<b>MTR</b>
<b>EQ</b> – Returns TRUE if P[i] == MatchObject	1	<b>MEQ</b>
<b>LE</b> – Returns TRUE if P[i] <= MatchObject	2	<b>MLE</b>
<b>LT</b> – Returns TRUE if P[i] < MatchObject	3	<b>MLT</b>
<b>GE</b> – Returns TRUE if P[i] >= MatchObject	4	<b>MGE</b>
<b>GT</b> – Returns TRUE if P[i] > MatchObject	5	<b>MGT</b>

**Example**

Following are some example uses of **Match**:

```
Name (P1,
Package () {1981, 1983, 1985, 1987, 1989, 1990, 1991, 1993, 1995, 1997, 1999, 2001}
)

// match 1993 == P1[i]
Match (P1, MEQ, 1993, MTR, 0, 0) // -> 7, since P1[7] == 1993

// match 1984 == P1[i]
Match (P1, MEQ, 1984, MTR, 0, 0) // -> ONES (not found)

// match P1[i] > 1984 and P1[i] <= 2000
Match (P1, MGT, 1984, MLE, 2000, 0) // -> 2, since P1[2]>1984 and P1[2]<=2000

// match P1[i] > 1984 and P1[i] <= 2000, starting with 3rd element
Match (P1, MGT, 1984, MLE, 2000, 3) // -> 3, first match at or past Start
```

**18.5.72 Memory24 (Memory Resource Descriptor Macro)****Syntax**

**Memory24** (*ReadAndWrite*, *AddressMinimum*, *AddressMaximum*, *AddressAlignment*, *RangeLength*, *DescriptorName*)

**Arguments**

*ReadAndWrite* specifies whether or not the memory region is read-only (**ReadOnly**) or read/write (**ReadWrite**). If nothing is specified, then ReadWrite is assumed. The 1-bit field *DescriptorName*.\_RW is automatically created to refer to this portion of the resource descriptor, where '1' is ReadWrite and '0' is ReadOnly.

*AddressMinimum* evaluates to a 16-bit integer that specifies bits [8:23] of the lowest possible base address of the memory range. All other bits are assumed to be zero. The value must be an even multiple of *AddressAlignment*. The 16-bit field *DescriptorName*.\_MIN is automatically created to refer to this portion of the resource descriptor.

*AddressMaximum* evaluates to a 16-bit integer that specifies bits [8:23] of the highest possible base address of the memory range. All other bits are assumed to be zero. The value must be an even multiple of *AddressAlignment*. The 16-bit field *DescriptorName*.\_MAX is automatically created to refer to this portion of the resource descriptor.

*AddressAlignment* evaluates to a 16-bit integer that specifies bits [0:15] of the required alignment for the memory range. All other bits are assumed to be zero. The address selected must be an even multiple of this value. The 16-bit field *DescriptorName*.\_ALN is automatically created to refer to this portion of the resource descriptor.

*RangeLength* evaluates to a 16-bit integer that specifies the total number of bytes decoded in the memory range. The 16-bit field *DescriptorName*.*\_LEN* is automatically created to refer to this portion of the resource descriptor. The range length provides the length of the memory range in 256 byte blocks.

*DescriptorName* is an optional argument that specifies a name for an integer constant that will be created in the current scope that contains the offset of this resource descriptor within the current resource template buffer. The predefined descriptor field names may be appended to this name to access individual fields within the descriptor via the Buffer Field operators.

### Description

The **Memory24** macro evaluates to a buffer which contains an 24-bit memory descriptor. The format of the 24-bit memory descriptor can be found in “24-Bit Memory Range Descriptor ” (page 231). The macro is designed to be used inside of a ResourceTemplate (page 544).

NOTE: The use of **Memory24** is deprecated and should not be used in new designs.

## 18.5.73 Memory32 (Memory Resource Descriptor Macro)

### Syntax

```
Memory32 (ReadAndWrite, AddressMinimum, AddressMaximum, AddressAlignment,  
RangeLength, DescriptorName)
```

### Arguments

*ReadAndWrite* specifies whether or not the memory region is read-only (**ReadOnly**) or read/write (**ReadWrite**). If nothing is specified, then ReadWrite is assumed. The 1-bit field *DescriptorName*.*\_RW* is automatically created to refer to this portion of the resource descriptor, where ‘1’ is ReadWrite and ‘0’ is ReadOnly.

*AddressMinimum* evaluates to a 32-bit integer that specifies the lowest possible base address of the memory range. The value must be an even multiple of *AddressAlignment*. The 32-bit field *DescriptorName*.*\_MIN* is automatically created to refer to this portion of the resource descriptor.

*AddressMaximum* evaluates to a 32-bit integer that specifies the highest possible base address of the memory range. The value must be an even multiple of *AddressAlignment*. The 32-bit field *DescriptorName*.*\_MAX* is automatically created to refer to this portion of the resource descriptor.

*AddressAlignment* evaluates to a 32-bit integer that specifies the required alignment for the memory range. The address selected must be an even multiple of this value. The 32-bit field *DescriptorName*.*\_ALN* is automatically created to refer to this portion of the resource descriptor.

*RangeLength* evaluates to a 32-bit integer that specifies the total number of bytes decoded in the memory range. The 32-bit field *DescriptorName*.*\_LEN* is automatically created to refer to this portion of the resource descriptor. The range length provides the length of the memory range in 1 byte blocks.

*DescriptorName* is an optional argument that specifies a name for an integer constant that will be created in the current scope that contains the offset of this resource descriptor within the current resource template buffer. The predefined descriptor field names may be appended to this name to access individual fields within the descriptor via the Buffer Field operators.

### Description

The **Memory32** macro evaluates to a buffer which contains a 32-bit memory descriptor, which describes a memory range with a minimum, a maximum and an alignment. The format of the 32-bit memory descriptor can be found in “32-Bit Memory Range Descriptor ” (page 232). The macro is designed to be used inside of a ResourceTemplate (page 544).

## 18.5.74 Memory32Fixed (Memory Resource Descriptor Macro)

### Syntax

```
Memory32Fixed (ReadAndWrite, AddressBase, RangeLength, DescriptorName)
```

### Arguments

*ReadAndWrite* specifies whether or not the memory region is read-only (**ReadOnly**) or read/write (**ReadWrite**). If nothing is specified, then ReadWrite is assumed. The 1-bit field *DescriptorName*.\_RW is automatically created to refer to this portion of the resource descriptor, where '1' is ReadWrite and '0' is ReadOnly.

*AddressBase* evaluates to a 32-bit integer that specifies the base address of the memory range. The 32-bit field *DescriptorName*.\_BAS is automatically created to refer to this portion of the resource descriptor.

*RangeLength* evaluates to a 32-bit integer that specifies the total number of bytes decoded in the memory range. The 32-bit field *DescriptorName*.\_LEN is automatically created to refer to this portion of the resource descriptor.

*DescriptorName* is an optional argument that specifies a name for an integer constant that will be created in the current scope that contains the offset of this resource descriptor within the current resource template buffer. The predefined descriptor field names may be appended to this name to access individual fields within the descriptor via the Buffer Field operators.

### Description

The **Memory32Fixed** macro evaluates to a buffer which contains a 32-bit memory descriptor, which describes a fixed range of memory addresses. The format of the fixed 32-bit memory descriptor can be found in 32-Bit Fixed Memory Range Descriptor (page 233). The macro is designed to be used inside of a ResourceTemplate (page 544).

## 18.5.75 Method (Declare Control Method)

### Syntax

```
Method (MethodName, NumArgs, SerializeRule, SyncLevel, ReturnType,  
         ParameterTypes) {TermList}
```

### Arguments

*MethodName* is evaluated as a Namestring data type.

*NumArgs* is optional and is the required number of arguments to be passed to the method, evaluated as an Integer data type. If not specified, the default value is zero arguments. Up to 7 arguments may be passed to a method. These arguments may be referenced from within the method as **Arg0** through **Arg6**.

*SerializeRule* is optional and is a flag that defines whether the method is serialized or not and is one of the following: **Serialized** or **NotSerialized**. A method that is serialized cannot be reentered by additional threads. If not specified, the default is **NotSerialized**.

*SyncLevel* is optional and specifies the synchronization level for the method (0 – 15). If not specified, the default sync level is zero.

*ReturnType* is optional and specifies the type(s) of the object(s) returned by the method. If the method does not return an object, then nothing is specified or **UnknownObj** is specified. To specify a single return type, simply use the *ObjectTypeKeyword* (e.g. **IntObj**, **PkgObj**, etc.). To specify multiple possible return types, enclose the comma-separated *ObjectTypeKeywords* with braces. For example: {**IntObj**, **BuffObj**}.

*ParameterTypes* is optional and specifies the type of the method parameters. It is a comma-separated, variable-length list of the expected object type or types for each of the method parameters, enclosed in braces. For each parameter, the parameter type consists of either an *ObjectTypeKeyword* or a comma-separated sub-list of *ObjectTypeKeywords* enclosed in braces. If *ParameterTypes* is specified, the number of parameters must match *NumArgs*.

*TermList* is a variable-length list of executable ASL statements representing the body of the control method.

## Description

Creates a new control method of name *MethodName*. This is a named package containing a series of object references that collectively represent a control method, which is a procedure that can be invoked to perform computation. **Method** opens a name scope.

System software executes a control method by referencing the objects in the package in order. For more information on method execution, see section 5.5.2, “Control Method Execution.”

The current namespace location used during name creation is adjusted to be the current location on the namespace tree. Any names created within this scope are “below” the name of this package. The current namespace location is assigned to the method package, and all namespace references that occur during control method execution for this package are relative to that location.

If a method is declared as **Serialized**, an implicit mutex associated with the method object is acquired at the specified *SyncLevel*. If no *SyncLevel* is specified, *SyncLevel 0* is assumed. The serialize rule can be used to prevent reentering of a method. This is especially useful if the method creates namespace objects. Without the serialize rule, the reentering of a method will fail when it attempts to create the same namespace object.

There are eight local variables automatically available for each method, referenced as **Local0** through **Local7**. These locals may be used to store any type of ASL object.

Also notice that all namespace objects created by a method have temporary lifetime. When method execution exits, the created objects will be destroyed.

## Examples

The following block of ASL sample code shows a use of **Method** for defining a control method that turns on a power resource.

```
Method (_ON) {
    Store (One, GPIO.IDEP)           // assert power
    Sleep (10)                       // wait 10ms
    Store (One, GPIO.IDER)           // de-assert reset#
    Stall (10)                       // wait 10us
    Store (Zero, GPIO.IDEI)          // de-assert isolation
}
```

This method is an implementation of **\_SRS** (Set Resources). It shows the use of a method argument and two method locals.

```
Method (_SRS, 1, NotSerialized)
{
    CreateWordField (Arg0, One, IRQW)
    Store (\_SB.PCI0.PID1.IENA, Local1)
    Or (IRQW, Local1, Local1)
    Store (Local1, \_SB.PCI0.PID1.IENA)
    FindSetRightBit (IRQW, Local0)
    If (Local0)
    {
        Decrement (Local0)
        Store (Local0, \_SB.PCI0.PID1.IN01)
    }
}
```

### 18.5.76 Mid (Extract Portion of Buffer or String)

#### Syntax

```
Mid (Source, Index, Length, Result) => Buffer or String
```

#### Arguments

*Source* is evaluated as either a Buffer or String. *Index* and *Length* are evaluated as Integers.

#### Description

If *Source* is a buffer, then *Length* bytes, starting with the *Index*th byte (zero-based) are optionally copied into *Result*. If *Index* is greater than or equal to the length of the buffer, then the result is an empty buffer. Otherwise, if *Index* + *Length* is greater than or equal to the length of the buffer, then only bytes up to and including the last byte are included in the result.

If *Source* is a string, then *Length* characters, starting with the *Index*th character (zero-based) are optionally copied into *Result*. If *Index* is greater than or equal to the length of the buffer, then the result is an empty string. Otherwise, if *Index* + *Length* is greater than or equal to the length of the string, then only bytes up to an including the last character are included in the result.

### 18.5.77 Mod (Integer Modulo)

#### Syntax

```
Mod (Dividend, Divisor, Result) => Integer
```

#### Arguments

*Dividend* and *Divisor* are evaluated as Integers.

#### Description

The *Dividend* is divided by *Divisor*, and then the resulting remainder is optionally stored into *Result*. If *Divisor* evaluates to zero, a fatal exception is generated.

### 18.5.78 Multiply (Integer Multiply)

#### Syntax

```
Multiply (Multiplicand, Multiplier, Result) => Integer
```

#### Arguments

*Multiplicand* and *Multiplier* are evaluated as Integers.

#### Description

The *Multiplicand* is multiplied by *Multiplier* and the result is optionally stored into *Result*. Overflow conditions are ignored and results are undefined.

### 18.5.79 Mutex (Declare Synchronization/Mutex Object)

#### Syntax

```
Mutex (MutexName, SyncLevel)
```

#### Arguments

Creates a data mutex synchronization object named *MutexName*, with a synchronization level from 0 to 15 as specified by the Integer *SyncLevel*.

#### Description

A synchronization object provides a control method with a mechanism for waiting for certain events. To prevent deadlocks, wherever more than one synchronization object must be owned, the synchronization objects must always be released in the order opposite the order in which they were acquired.

The *SyncLevel* parameter declares the logical nesting level of the synchronization object. The *current sync level* is maintained internally for a thread, and represents the greatest *SyncLevel* among mutex objects that are currently acquired by the thread. The *SyncLevel* of a thread before acquiring any mutexes is zero. The *SyncLevel* of the Global Lock (\\_GL) is zero.

All **Acquire** terms must refer to a synchronization object with a *SyncLevel* that is equal or greater than the current level, and all **Release** terms must refer to a synchronization object with a *SyncLevel* that is equal to the current level.

Mutex synchronization provides the means for mutually exclusive ownership. Ownership is acquired using an **Acquire** term and is released using a **Release** term. Ownership of a Mutex must be relinquished before completion of any invocation. For example, the top-level control method cannot exit while still holding ownership of a Mutex. Acquiring ownership of a Mutex can be nested (can be acquired multiple times by the same thread).

### 18.5.80 Name (Declare Named Object)

#### Syntax

```
Name (ObjectName, Object)
```

#### Arguments

Creates a new object named *ObjectName*. Attaches *Object* to *ObjectName* in the Global ACPI namespace.

#### Description

Creates *ObjectName* in the namespace, which references the *Object*.

#### Example

The following example creates the name PTTX in the root of the namespace that references a package.

```
Name (\PTTX,                                     // Port to Port Translate Table
      Package () {Package () {0x43, 0x59}, Package () {0x90, 0xFF}}
)
```

The following example creates the name CNT in the root of the namespace that references an integer data object with the value 5.

```
Name (\CNT, 5)
```



### 18.5.81 NAnd (Integer Bitwise Nand)

#### Syntax

```
NAnd (Source1, Source2, Result) => Integer
```

#### Arguments

*Source1* and *Source2* are evaluated as Integers.

#### Description

A bitwise **NAND** is performed and the result is optionally stored in *Result*.

### 18.5.82 NoOp Code (No Operation)

#### Syntax

```
NoOp
```

#### Description

This operation has no effect.

### 18.5.83 NOR (Integer Bitwise Nor)

#### Syntax

```
NOR (Source1, Source2, Result) => Integer
```

#### Arguments

*Source1* and *Source2* are evaluated as Integers.

#### Description

A bitwise **NOR** is performed and the result is optionally stored in *Result*.

### 18.5.84 Not (Integer Bitwise Not)

#### Syntax

```
Not (Source, Result) => Integer
```

#### Arguments

*Source* is evaluated as an integer data type.

#### Description

A bitwise **NOT** is performed and the result is optionally stored in *Result*.

### 18.5.85 Notify (Notify Object of Event)

#### Syntax

```
Notify (Object, NotificationValue)
```

#### Arguments

Notifies the OS that the *NotificationValue* for the *Object* has occurred. *Object* must be a reference to a device, processor, or thermal zone object.

#### Description

*Object* type determines the notification values. For example, the notification values for a thermal zone object are different from the notification values used for a device object. Undefined notification values are treated as reserved and are ignored by the OS.

For lists of defined Notification values, see section 5.6.5, “Device Object Notifications.”

### 18.5.86 ObjectType (Get Object Type)

#### Syntax

```
ObjectType (Object) => Integer
```

#### Arguments

*Object* is any valid object.

#### Description

The execution result of this operation is an integer that has the numeric value of the object type for *Object*.

The object type codes are listed in Table 18-20. Notice that if this operation is performed on an object reference such as one produced by the **Alias**, **Index**, or **RefOf** statements, the object type of the base object is returned. For typeless objects such as predefined scope names (in other words, **\\_SB**, **\\_GPE**, etc.), the type value 0 (**Uninitialized**) is returned.

**Table 18-20 Values Returned By the ObjectType Operator**

Value	Object
0	Uninitialized
1	Integer
2	String
3	Buffer
4	Package
5	Field Unit
6	Device
7	Event
8	Method
9	Mutex
10	Operation Region
11	Power Resource

Value	Object
12	Processor
13	Thermal Zone
14	Buffer Field
15	DDB Handle
16	Debug Object
>16	<i>Reserved</i>

### 18.5.87 One (Constant One Object)

#### Syntax

**One**

#### Description

The constant **One** object is an object of type Integer that will always read the LSB as set and all other bits as clear (that is, the value of 1). Writes to this object are not allowed.

### 18.5.88 Ones (Constant Ones Object)

#### Syntax

**Ones**

#### Description

The constant **Ones** object is an object of type Integer that will always read as all bits set. Writes to this object are not allowed.

### 18.5.89 OperationRegion (Declare Operation Region)

#### Syntax

**OperationRegion** (*RegionName*, *RegionSpace*, *Offset*, *Length*)

#### Arguments

Declares an operation region named *RegionName*. *Offset* is the offset within the selected *RegionSpace* at which the region starts (byte-granular), and *Length* is the length of the region in bytes.

#### Description

An Operation Region is a type of data object where read or write operations to the data object are performed in some hardware space. For example, the Definition Block can define an Operation Region within a bus, or system I/O space. Any reads or writes to the named object will result in accesses to the I/O space.

Operation regions are regions in some space that contain hardware registers for *exclusive* use by ACPI control methods. In general, no hardware register (at least byte-granular) within the operation region accessed by an ACPI control method can be shared with any accesses from any other source, with the exception of using the Global Lock to share a region with the firmware. The entire Operation Region can be allocated for exclusive use to the ACPI subsystem in the host OS.

Operation Regions that are defined within the scope of a method are the exception to this rule. These Operation Regions are known as “Dynamic” since the OS has no idea that they exist or what registers they use until the control method is executed. Using a Dynamic SystemIO or SystemMemory Operation Region is not recommended since the OS cannot *guarantee* exclusive access. All other types of Operation Regions may be Dynamic.

Operation Regions define the overall base address and length of a hardware region, but they cannot be accessed directly by AML code. A **Field** object containing one or more **FieldUnits** is used to overlay the Operation Region in order to access individual areas of the Region. An individual FieldUnit within an Operation Region may be as small as one bit, or as large as the length of the entire Region. FieldUnit values are normalized (shifted and masked to the proper length.) The data type of a FieldUnit can be either a **Buffer** or an **Integer**, depending on the bit length of the FieldUnit. If the FieldUnit is smaller than or equal to the size of an Integer (in bits), it will be treated as an Integer. If the FieldUnit is larger than the size of an Integer, it will be treated as a Buffer. The size of an Integer is indicated by the DSDT header’s *Revision* field. A revision less than 2 indicates that the size of an Integer is 32 bits. A value greater than or equal to 2 signifies that the size of an Integer is 64 bits. For more information about data types and FieldUnit type conversion rules, see section 18.2.5.7, “Data Type Conversion Rules”.

An Operation Region object implicitly supports Mutex synchronization. Updates to the object, or a **Field** data object for the region, will automatically synchronize on the Operation Region object; however, a control method may also explicitly synchronize to a region to prevent other accesses to the region (from other control methods). Notice that according to the control method execution model, control method execution is non-preemptive. Because of this, explicit synchronization to an Operation Region needs to be done only in cases where a control method blocks or yields execution and where the type of register usage requires such synchronization.

There are eight predefined Operation Region types specified in ACPI:

Name ( <i>RegionSpace</i> Keyword)	Value
<b>SystemMemory</b>	0
<b>SystemIO</b>	1
<b>PCI_Config</b>	2
<b>EmbeddedControl</b>	3
<b>SMBus</b>	4
<b>CMOS</b>	5
<b>PCIBARTarget</b>	6
<b>IPMI</b>	7
<b>Reserved</b>	0x08-0x7F

In addition, OEMs may define Operation Regions types **0x80** to **0xFF**.

### Example

The following example ASL code shows the use of **OperationRegion** combined with **Field** to describe IDE 0 and 1 controlled through general I/O space, using one FET.

```

OperationRegion (GIO, SystemIO, 0x125, 0x1)
Field (GIO, ByteAcc, NoLock, Preserve) {
    IDEI, 1, // IDEISO_EN - isolation buffer
    IDEP, 1, // IDE_PWR_EN - power
    IDER, 1 // IDERST#_EN - reset#
}

```

## 18.5.90 Or (Integer Bitwise Or)

### Syntax

```
Or (Source1, Source2, Result) => Integer
```

### Arguments

*Source1* and *Source2* are evaluated as Integers.

### Description

A bitwise **OR** is performed and the result is optionally stored in *Result*.

## 18.5.91 Package (Declare Package Object)

### Syntax

```
Package (NumElements) {PackageList} => Package
```

### Arguments

*NumElements* is evaluated as an integer data type. *PackageList* is an initializer list of objects.

### Description

Declares an unnamed aggregation of data items, constants, and/or references to control methods. The size of the package is *NumElements*. *PackageList* contains the list data items, constants, and/or control method references used to initialize the package.

If *NumElements* is absent, it is set to match the number of elements in the *PackageList*. If *NumElements* is present and greater than the number of elements in the *PackageList*, the default entry of type Uninitialized (see **ObjectType**) is used to initialize the package elements beyond those initialized from the *PackageList*.

Evaluating an undefined element will yield an error, but elements can be assigned values to make them defined. It is an error for *NumElements* to be less than the number of elements in the *PackageList*. It is an error for *NumElements* to exceed 255.

There are two types of package elements in the *PackageList*: data objects and references to control methods.

### Examples

Example 1:

```
Package () {
    3,
    9,
    "ACPI 1.0 COMPLIANT",
    Package () {
        "Checksum=>",
        Package () {7, 9}
    },
    0
}
```

Example 2: This example defines and initializes a two-dimensional array.

```
Package () {
    Package () {11, 12, 13},
    Package () {21, 22, 23}
}
```

Example 3: This encoding allocates space for ten things to be defined later (see the **Name** and **Index** term definitions).

```
Package (10) {}
```

**Note:** The ability to create variable-sized packages was first introduced in ACPI 2.0. ACPI 1.0 only allowed fixed-size packages with up to 255 elements.

### 18.5.92 PowerResource (Declare Power Resource)

#### Syntax

```
PowerResource (ResourceName, SystemLevel, ResourceOrder) {ObjectList}
```

#### Arguments

Declares a power resource named *ResourceName*. **PowerResource** opens a name scope.

#### Description

For a definition of the **PowerResource** term, see section 7.1, “Declaring a Power Resource Object.”

### 18.5.93 Processor (Declare Processor)

#### Syntax

```
Processor (ProcessorName, ProcessorID, PBlockAddress, PblockLength)  
  {ObjectList}
```

#### Arguments

Declares a named processor object named *ProcessorName*. **Processor** opens a name scope. Each processor is required to have a unique *ProcessorID* value that is unique from any other *ProcessorID* value.

For each processor in the system, the ACPI BIOS declares one processor object in the namespace anywhere within the `\_SB` scope. For compatibility with operating systems implementing ACPI 1.0, the processor object may also be declared under the `\_PR` scope. An ACPI-compatible namespace may define Processor objects in either the `\_SB` or `\_PR` scope but not both.

*PBlockAddress* provides the system I/O address for the processors register block. Each processor can supply a different such address. *PBlockLength* is the length of the processor register block, in bytes and is either 0 (for no P\_BLK) or 6. With one exception, all processors are required to have the same *PBlockLength*. The exception is that the boot processor can have a non-zero *PBlockLength* when all other processors have a zero *PBlockLength*. It is valid for every processor to have a *PBlockLength* of 0.

#### Description

The following block of ASL sample code shows a use of the **Processor** term.

```
Processor (  
  \_PR.CPU0,      // Namespace name  
  1,  
  0x120,          // PBlk system IO address  
  6               // PBlkLen  
) {ObjectList}
```

The ObjectList is an optional list that may contain an arbitrary number of ASL Objects. Processor-specific objects that may be included in the ObjectList include `_PTC`, `_CST`, `_PCT`, `_PSS`, `_PPC`, `_PSD`, `_TSD`, `_CSD`, `_PDC`, `_TPC`, `_TSS`, and `_OSC`. These processor-specific objects can only be specified when the processor object is declared within the `\_SB` scope. For a full definition of these objects, see section 8, “Processor Configuration and Control.”

## 18.5.94 QWordIO (QWord IO Resource Descriptor Macro)

### Syntax

```
QWordIO (ResourceUsage, IsMinFixed, IsMaxFixed, Decode, ISARanges,  
AddressGranularity, AddressMinimum, AddressMaximum, AddressTranslation,  
RangeLength, ResourceSourceIndex, ResourceSource, DescriptorName,  
TranslationType, TranslationDensity)
```

### Arguments

*ResourceUsage* specifies whether the I/O range is consumed by this device (**ResourceConsumer**) or passed on to child devices (**ResourceProducer**). If nothing is specified, then ResourceConsumer is assumed.

*IsMinFixed* specifies whether the minimum address of this I/O range is fixed (**MinFixed**) or can be changed (**MinNotFixed**). If nothing is specified, then MinNotFixed is assumed. The 1-bit field *DescriptorName*. \_MIF is automatically created to refer to this portion of the resource descriptor, where '1' is MinFixed and '0' is MinNotFixed.

*IsMaxFixed* specifies whether the maximum address of this I/O range is fixed (**MaxFixed**) or can be changed (**MaxNotFixed**). If nothing is specified, then MaxNotFixed is assumed. The 1-bit field *DescriptorName*. \_MAF is automatically created to refer to this portion of the resource descriptor, where '1' is MaxFixed and '0' is MaxNotFixed.

*Decode* specifies whether or not the device decodes the I/O range using positive (**PosDecode**) or subtractive (**SubDecode**) decode. If nothing is specified, then PosDecode is assumed. The 1-bit field *DescriptorName*. \_DEC is automatically created to refer to this portion of the resource descriptor, where '1' is SubDecode and '0' is PosDecode.

*ISARanges* specifies whether the I/O ranges specifies are limited to valid ISA I/O ranges (**ISAOnly**), valid non-ISA I/O ranges (**NonISAOnly**) or encompass the whole range without limitation (**EntireRange**). The 2-bit field *DescriptorName*. \_RNG is automatically created to refer to this portion of the resource descriptor, where '1' is NonISAOnly, '2' is ISAOnly and '0' is EntireRange.

*AddressGranularity* evaluates to a 64-bit integer that specifies the power-of-two boundary (- 1) on which the I/O range must be aligned. The 64-bit field *DescriptorName*. \_GRA is automatically created to refer to this portion of the resource descriptor.

*AddressMinimum* evaluates to a 64-bit integer that specifies the lowest possible base address of the I/O range. The value must have '0' in all bits where the corresponding bit in *AddressGranularity* is '1'. For bridge devices which translate addresses, this is the address on the secondary bus. The 64-bit field *DescriptorName*. \_MIN is automatically created to refer to this portion of the resource descriptor.

*AddressMaximum* evaluates to a 64-bit integer that specifies the highest possible base address of the I/O range. The value must have '0' in all bits where the corresponding bit in *AddressGranularity* is '1'. For bridge devices which translate addresses, this is the address on the secondary bus. The 64-bit field *DescriptorName*. \_MAX is automatically created to refer to this portion of the resource descriptor.

*AddressTranslation* evaluates to a 64-bit integer that specifies the offset to be added to a secondary bus I/O address which results in the corresponding primary bus I/O address. For all non-bridge devices or bridges which do not perform translation, this must be '0'. The 64-bit field *DescriptorName*. \_TRA is automatically created to refer to this portion of the resource descriptor.

*RangeLength* evaluates to a 64-bit integer that specifies the total number of bytes decoded in the I/O range. The 64-bit field *DescriptorName*. \_LEN is automatically created to refer to this portion of the resource descriptor.

*ResourceSourceIndex* is an optional argument which evaluates to an 8-bit integer that specifies the resource descriptor within the object specified by *ResourceSource*. If this argument is specified, the *ResourceSource* argument must also be specified.

*ResourceSource* is an optional argument which evaluates to a string containing the path of a device which produces the pool of resources from which this I/O range is allocated. If this argument is specified, but the *ResourceSourceIndex* argument is not specified, a zero value is assumed.

*TranslationType* is an optional argument that specifies whether the resource type on the secondary side of the bus is different (**TypeTranslation**) from that on the primary side of the bus or the same (**TypeStatic**). If *TypeTranslation* is specified, then the secondary side of the bus is Memory. If *TypeStatic* is specified, then the secondary side of the bus is I/O. If nothing is specified, then *TypeStatic* is assumed. The 1-bit field *DescriptorName*. *\_TTP* is automatically created to refer to this portion of the resource descriptor, where '1' is *TypeTranslation* and '0' is *TypeStatic*. See *\_TTP* (page 248) for more information

*TranslationDensity* is an optional argument that specifies whether or not the translation from the primary to secondary bus is sparse (**SparseTranslation**) or dense (**DenseTranslation**). It is only used when *TranslationType* is **TypeTranslation**. If nothing is specified, then *DenseTranslation* is assumed. The 1-bit field *DescriptorName*. *\_TRS* is automatically created to refer to this portion of the resource descriptor, where '1' is *SparseTranslation* and '0' is *DenseTranslation*. See *\_TRS* (page 248) for more information.

*DescriptorName* is an optional argument that specifies a name for an integer constant that will be created in the current scope that contains the offset of this resource descriptor within the current resource template buffer. The predefined descriptor field names may be appended to this name to access individual fields within the descriptor via the Buffer Field operators.

## Description

The **QWordIO** macro evaluates to a buffer which contains a 64-bit I/O resource descriptor, which describes a range of I/O addresses. The format of the 64-bit I/O resource descriptor can be found in **QWord Address Space Descriptor** (page 235). The macro is designed to be used inside of a **ResourceTemplate** (page 544).

## 18.5.95 QWordMemory (QWord Memory Resource Descriptor Macro)

### Syntax

```
QWordMemory (ResourceUsage, Decode, IsMinFixed, IsMaxFixed, Cacheable,  
ReadAndWrite, AddressGranularity, AddressMinimum, AddressMaximum,  
AddressTranslation, RangeLength, ResourceSourceIndex, ResourceSource,  
DescriptorName, MemoryType, TranslationType)
```

### Arguments

*ResourceUsage* specifies whether the Memory range is consumed by this device (**ResourceConsumer**) or passed on to child devices (**ResourceProducer**). If nothing is specified, then *ResourceConsumer* is assumed.

*Decode* specifies whether or not the device decodes the Memory range using positive (**PosDecode**) or subtractive (**SubDecode**) decode. If nothing is specified, then *PosDecode* is assumed. The 1-bit field *DescriptorName*. *\_DEC* is automatically created to refer to this portion of the resource descriptor, where '1' is *SubDecode* and '0' is *PosDecode*.

*IsMinFixed* specifies whether the minimum address of this Memory range is fixed (**MinFixed**) or can be changed (**MinNotFixed**). If nothing is specified, then *MinNotFixed* is assumed. The 1-bit field *DescriptorName*. *\_MIF* is automatically created to refer to this portion of the resource descriptor, where '1' is *MinFixed* and '0' is *MinNotFixed*.

*IsMaxFixed* specifies whether the maximum address of this Memory range is fixed (**MaxFixed**) or can be changed (**MaxNotFixed**). If nothing is specified, then *MaxNotFixed* is assumed. The 1-bit field *DescriptorName*. *\_MAF* is automatically created to refer to this portion of the resource descriptor, where '1' is *MaxFixed* and '0' is *MaxNotFixed*.



*Cacheable* specifies whether or not the memory region is cacheable (**Cacheable**), cacheable and write-combining (**WriteCombining**), cacheable and prefetchable (**Prefetchable**) or uncacheable (**NonCacheable**). If nothing is specified, then NonCacheable is assumed. The 2-bit field *DescriptorName*.<sub>MEM</sub> is automatically created to refer to this portion of the resource descriptor, where '1' is Cacheable, '2' is WriteCombining, '3' is Prefetchable and '0' is NonCacheable.

*ReadAndWrite* specifies whether or not the memory region is read-only (**ReadOnly**) or read/write (**ReadWrite**). If nothing is specified, then ReadWrite is assumed. The 1-bit field *DescriptorName*.<sub>RW</sub> is automatically created to refer to this portion of the resource descriptor, where '1' is ReadWrite and '0' is ReadOnly.

*AddressGranularity* evaluates to a 64-bit integer that specifies the power-of-two boundary (- 1) on which the Memory range must be aligned. The 64-bit field *DescriptorName*.<sub>GRA</sub> is automatically created to refer to this portion of the resource descriptor.

*AddressMinimum* evaluates to a 64-bit integer that specifies the lowest possible base address of the Memory range. The value must have '0' in all bits where the corresponding bit in *AddressGranularity* is '1'. For bridge devices which translate addresses, this is the address on the secondary bus. The 64-bit field *DescriptorName*.<sub>MIN</sub> is automatically created to refer to this portion of the resource descriptor.

*AddressMaximum* evaluates to a 64-bit integer that specifies the highest possible base address of the Memory range. The value must have '0' in all bits where the corresponding bit in *AddressGranularity* is '1'. For bridge devices which translate addresses, this is the address on the secondary bus. The 64-bit field *DescriptorName*.<sub>MAX</sub> is automatically created to refer to this portion of the resource descriptor.

*AddressTranslation* evaluates to a 64-bit integer that specifies the offset to be added to a secondary bus I/O address which results in the corresponding primary bus I/O address. For all non-bridge devices or bridges which do not perform translation, this must be '0'. The 64-bit field *DescriptorName*.<sub>TRA</sub> is automatically created to refer to this portion of the resource descriptor.

*RangeLength* evaluates to a 64-bit integer that specifies the total number of bytes decoded in the Memory range. The 64-bit field *DescriptorName*.<sub>LEN</sub> is automatically created to refer to this portion of the resource descriptor.

*ResourceSourceIndex* is an optional argument which evaluates to an 8-bit integer that specifies the resource descriptor within the object specified by *ResourceSource*. If this argument is specified, the *ResourceSource* argument must also be specified.

*ResourceSource* is an optional argument which evaluates to a string containing the path of a device which produces the pool of resources from which this Memory range is allocated. If this argument is specified, but the *ResourceSourceIndex* argument is not specified, a zero value is assumed.

*DescriptorName* is an optional argument that specifies a name for an integer constant that will be created in the current scope that contains the offset of this resource descriptor within the current resource template buffer. The predefined descriptor field names may be appended to this name to access individual fields within the descriptor via the Buffer Field operators.

*MemoryType* is an optional argument that specifies the memory usage. The memory can be marked as normal (**AddressRangeMemory**), used as ACPI NVS space (**AddressRangeNVS**), used as ACPI reclaimable space (**AddressRangeACPI**) or as system reserved (**AddressRangeReserved**). If nothing is specified, then AddressRangeMemory is assumed. The 2-bit field *DescriptorName*.<sub>MTP</sub> is automatically created in order to refer to this portion of the resource descriptor, where '0' is AddressRangeMemory, '1' is AddressRangeReserved, '2' is AddressRangeACPI and '3' is AddressRangeNVS.

*TranslationType* is an optional argument that specifies whether the resource type on the secondary side of the bus is different (**TypeTranslation**) from that on the primary side of the bus or the same (**TypeStatic**). If TypeTranslation is specified, then the secondary side of the bus is I/O. If TypeStatic is specified, then the secondary side of the bus is I/O. If nothing is specified, then TypeStatic is assumed. The 1-bit field *DescriptorName*.<sub>TTP</sub> is automatically created to refer to this portion of the resource descriptor, where '1' is TypeTranslation and '0' is TypeStatic. See *\_TTP* (page 248) for more information.

## Description

The **QWordMemory** macro evaluates to a buffer which contains a 64-bit memory resource descriptor, which describes a range of memory addresses. The format of the 64-bit memory resource descriptor can be found in “QWord Address Space Descriptor” (page 235). The macro is designed to be used inside of a ResourceTemplate (page 544).

## 18.5.96 QWordSpace (QWord Space Resource Descriptor Macro)

### Syntax

```
QWordSpace (ResourceType, ResourceUsage, Decode, IsMinFixed, IsMaxFixed,
             TypeSpecificFlags, AddressGranularity, AddressMinimum, AddressMaximum,
             AddressTranslation, RangeLength, ResourceSourceIndex, ResourceSource,
             DescriptorName)
```

### Arguments

*ResourceType* evaluates to an 8-bit integer that specifies the type of this resource. Acceptable values are 0xC0 through 0xFF.

*ResourceUsage* specifies whether the Memory range is consumed by this device (**ResourceConsumer**) or passed on to child devices (**ResourceProducer**). If nothing is specified, then ResourceConsumer is assumed.

*Decode* specifies whether or not the device decodes the Memory range using positive (**PosDecode**) or subtractive (**SubDecode**) decode. If nothing is specified, then PosDecode is assumed. The 1-bit field *DescriptorName*. \_DEC is automatically created to refer to this portion of the resource descriptor, where ‘1’ is SubDecode and ‘0’ is PosDecode.

*IsMinFixed* specifies whether the minimum address of this Memory range is fixed (**MinFixed**) or can be changed (**MinNotFixed**). If nothing is specified, then MinNotFixed is assumed. The 1-bit field *DescriptorName*. \_MIF is automatically created to refer to this portion of the resource descriptor, where ‘1’ is MinFixed and ‘0’ is MinNotFixed.

*IsMaxFixed* specifies whether the maximum address of this Memory range is fixed (**MaxFixed**) or can be changed (**MaxNotFixed**). If nothing is specified, then MaxNotFixed is assumed. The 1-bit field *DescriptorName*. \_MAF is automatically created to refer to this portion of the resource descriptor, where ‘1’ is MaxFixed and ‘0’ is MaxNotFixed.

*TypeSpecificFlags* evaluates to an 8-bit integer. The flags are specific to the *ResourceType*.

*AddressGranularity* evaluates to a 64-bit integer that specifies the power-of-two boundary (- 1) on which the Memory range must be aligned. The 64-bit field *DescriptorName*. \_GRA is automatically created to refer to this portion of the resource descriptor.

*AddressMinimum* evaluates to a 64-bit integer that specifies the lowest possible base address of the Memory range. The value must have ‘0’ in all bits where the corresponding bit in *AddressGranularity* is ‘1’. For bridge devices which translate addresses, this is the address on the secondary bus. The 64-bit field *DescriptorName*. \_MIN is automatically created to refer to this portion of the resource descriptor.

*AddressMaximum* evaluates to a 64-bit integer that specifies the highest possible base address of the Memory range. The value must have ‘0’ in all bits where the corresponding bit in *AddressGranularity* is ‘1’. For bridge devices which translate addresses, this is the address on the secondary bus. The 64-bit field *DescriptorName*. \_MAX is automatically created to refer to this portion of the resource descriptor.

*AddressTranslation* evaluates to a 64-bit integer that specifies the offset to be added to a secondary bus I/O address which results in the corresponding primary bus I/O address. For all non-bridge devices or bridges which do not perform translation, this must be ‘0’. The 64-bit field *DescriptorName*. \_TRA is automatically created to refer to this portion of the resource descriptor.

*RangeLength* evaluates to a 64-bit integer that specifies the total number of bytes decoded in the Memory range. The 64-bit field *DescriptorName*. *\_LEN* is automatically created to refer to this portion of the resource descriptor.

*ResourceSourceIndex* is an optional argument which evaluates to an 8-bit integer that specifies the resource descriptor within the object specified by *ResourceSource*. If this argument is specified, the *ResourceSource* argument must also be specified.

*ResourceSource* is an optional argument which evaluates to a string containing the path of a device which produces the pool of resources from which this Memory range is allocated. If this argument is specified, but the *ResourceSourceIndex* argument is not specified, a zero value is assumed.

*DescriptorName* is an optional argument that specifies a name for an integer constant that will be created in the current scope that contains the offset of this resource descriptor within the current resource template buffer. The predefined descriptor field names may be appended to this name to access individual fields within the descriptor via the Buffer Field operators.

## Description

The **QWordSpace** macro evaluates to a buffer which contains a 64-bit Address Space resource descriptor, which describes a range of addresses. The format of the 64-bit AddressSpace descriptor can be found in “QWord Address Space Descriptor” (page 235). The macro is designed to be used inside of a ResourceTemplate (page 544).

## 18.5.97 RefOf (Create Object Reference)

### Syntax

```
RefOf (Object) => ObjectReference
```

### Arguments

*Object* can be any object type (for example, a package, a device object, and so on).

### Description

Returns an object reference to *Object*. If the *Object* does not exist, the result of a **RefOf** operation is fatal. Use the **CondRefOf** term in cases where the *Object* might not exist.

The primary purpose of **RefOf()** is to allow an object to be passed to a method as an argument to the method without the object being evaluated at the time the method was loaded.

## 18.5.98 Register (Generic Register Resource Descriptor Macro)

### Syntax

```
Register (AddressSpaceKeyword, RegisterBitWidth, RegisterBitOffset,
         RegisterAddress, AccessSize, DescriptorName)
```

### Arguments

*AddressSpaceKeyword* specifies the address space where the register exists. The register can exist in I/O space (**SystemIO**), memory (**SystemMemory**), PCI configuration space (**PCI\_Config**), embedded controller space (**EmbeddedControl**), SMBus (**SMBus**) or fixed-feature hardware (**FFixedHW**). The 8-bit field *DescriptorName*. *\_ASI* is automatically created in order to refer to this portion of the resource descriptor. See *\_ASI* (page 251) for more information, including a list of valid values and their meanings.

*RegisterBitWidth* evaluates to an 8-bit integer that specifies the number of bits in the register. The 8-bit field *DescriptorName*. *\_RBW* is automatically created in order to refer to this portion of the resource descriptor. See *\_RBW* (page 251) for more information.

*RegisterBitOffset* evaluates to an 8-bit integer that specifies the offset in bits from the start of the register indicated by *RegisterAddress*. The 8-bit field *DescriptorName*. *\_RBO* is automatically created in order to refer to this portion of the resource descriptor. See *\_RBO* (page 251) for more information.

*RegisterAddress* evaluates to a 64-bit integer that specifies the register address. The 64-bit field *DescriptorName*. *\_ADR* is automatically created in order to refer to this portion of the resource descriptor. See *\_ADR* (page 251) for more information.

*AccessSize* evaluates to an 8-bit integer that specifies the size of data values used when accessing the address space as follows:

- 0 - Undefined (legacy)
- 1 - Byte access
- 2 - Word access
- 3 - DWord access
- 4 - QWord access

The 8-bit field *DescriptorName*. *\_ASZ* is automatically created in order to refer to this portion of the resource descriptor. See *\_ASZ*(page 251) for more information. For backwards compatibility, the *AccessSize* parameter is optional when invoking the Register macro. If the *AccessSize* parameter is not supplied then the *AccessSize* field will be set to zero. In this case, OSPM will assume the access size.

*DescriptorName* is an optional argument that specifies a name for an integer constant that will be created in the current scope that contains the offset of this resource descriptor within the current resource template buffer. The predefined descriptor field names may be appended to this name to access individual fields within the descriptor via the Buffer Field operators.

### Description

The **Register** macro evaluates to a buffer which contains a generic register resource descriptor. The format of the generic register resource descriptor can be found in “Generic Register Descriptor ” (page 251). The macro is designed to be used inside of a ResourceTemplate (page 544).

## 18.5.99 Release (Release a Mutex Synchronization Object)

### Syntax

```
Release (SyncObject)
```

### Arguments

*SyncObject* must be a mutex synchronization object.

### Description

If the mutex object is owned by the current invocation, ownership for the Mutex is released once. It is fatal to release ownership on a Mutex unless it is currently owned. A Mutex must be totally released before an invocation completes.

## 18.5.100 Reset (Reset an Event Synchronization Object)

### Syntax

```
Reset (SyncObject)
```

### Arguments

*SyncObject* must be an Event synchronization object.

**Description**

This operator is used to reset an event synchronization object to a non-signaled state. See also the Wait and Signal function operator definitions.

**18.5.101 ResourceTemplate (Resource To Buffer Conversion Macro)****Syntax**

```
ResourceTemplate () {ResourceMacroList} => Buffer
```

**Description**

For a full definition of the ResourceTemplateTerm macro, see section 18.2.3 “ASL Resource Templates” (page 560)

**18.5.102 Return (Return from Method Execution)****Syntax**

```
Return
Return ()
Return (Arg)
```

**Arguments**

*Arg* is optional and can be any valid object or reference.

**Description**

Returns control to the invoking control method, optionally returning a copy of the object named in *Arg*. If no *Arg* object is specified, a Return(**Zero**) is generated by the ASL compiler.

**Note:** in the absence of an explicit **Return ()** statement, the return value to the caller is undefined.

**18.5.103 Revision (Constant Revision Object)****Syntax**

```
Revision
```

**Description**

The constant **Revision** object is an object of type Integer that will always read as the revision of the AML interpreter.

**18.5.104 Scope (Open Named Scope)****Syntax**

```
Scope (Location) {ObjectList}
```

**Arguments**

Opens and assigns a base namespace scope to a collection of objects. All object names defined within the scope are created relative to *Location*. Note that *Location* does not have to be below the surrounding scope, but can refer to any location within the namespace. The **Scope** term itself does not create objects, but only locates objects within the namespace; the actual objects are created by other ASL terms.

## Description

The object referred to by *Location* must already exist in the namespace and be one of the following object types that has a namespace scope associated with it:

- A predefined scope such as: \ (root), \\_SB, \GPE, \\_PR, \\_TZ, etc.
- Device
- Processor
- Thermal Zone
- Power Resource

The **Scope** term alters the current namespace location to the existing *Location*. This causes the defined objects within *ObjectList* to be created relative to this new location in the namespace.

**Note:** When creating secondary SSDTs, it is often required to use the **Scope** operator to change the namespace location in order to create objects within some part of the namespace that has been defined by the main DSDT. Use the **External** operator to declare the scope location so that the ASL compiler will not issue an error for an undefined *Location*.

## Examples

The following example ASL code uses the **Scope** operator and creates several objects:

```
Scope (\PCI0)
{
    Name (X, 3)
    Scope (\)
    {
        Method (RQ) {Return (0)}
    }
    Name (^Y, 4)
}
```

The created objects are placed in the ACPI namespace as shown:

```
\PCI0.X
\RQ
\Y
```

This example shows the use of **External** in conjunction with **Scope** within an SSDT:

```
DefinitionBlock ("ssdt.aml", "SSDT", 2, "X", "Y", 0x00000001)
{
    External (\_SB.PCI0, DeviceObj)

    Scope (\_SB.PCI0)
    {
    }
}
```

### 18.5.105 ShiftLeft (Integer Shift Left)

#### Syntax

```
ShiftLeft (Source, ShiftCount, Result) => Integer
```

#### Arguments

*Source* and *ShiftCount* are evaluated as Integers.

#### Description

*Source* is shifted left with the least significant bit zeroed *ShiftCount* times. The result is optionally stored into *Result*.

### 18.5.106 ShiftRight (Integer Shift Right)

#### Syntax

```
shiftRight (Source, ShiftCount, Result) => Integer
```

#### Arguments

*Source* and *ShiftCount* are evaluated as Integers.

#### Description

*Source* is shifted right with the most significant bit zeroed *ShiftCount* times. The result is optionally stored into *Result*.

### 18.5.107 Signal (Signal a Synchronization Event)

#### Syntax

```
signal (SyncObject)
```

#### Arguments

*SyncObject* must be an Event synchronization object.

#### Description

The Event object is signaled once, allowing one invocation to acquire the event.

### 18.5.108 SizeOf (Get Data Object Size)

#### Syntax

```
sizeOf (ObjectName) => Integer
```

#### Arguments

*ObjectName* must be a buffer, string or package object.

#### Description

Returns the size of a buffer, string, or package data object.

For a buffer, it returns the size in bytes of the data. For a string, it returns the size in bytes of the string, not counting the trailing NULL. For a package, it returns the number of elements. For an object reference, the size of the referenced object is returned. Other data types cause a fatal run-time error.

### 18.5.109 Sleep (Milliseconds Sleep)

#### Syntax

```
sleep (MilliSeconds)
```

#### Arguments

The **Sleep** term is used to implement long-term timing requirements. Execution is delayed for at least the required number of milliseconds.

**Description**

The implementation of **Sleep** is to round the request up to the closest sleep time supported by the OS and relinquish the processor.

**18.5.110 Stall (Stall for a Short Time)****Syntax**

```
stall (MicroSeconds)
```

**Arguments**

The **Stall** term is used to implement short-term timing requirements. Execution is delayed for at least the required number of microseconds.

**Description**

The implementation of **Stall** is OS-specific, but must not relinquish control of the processor. Because of this, delays longer than 100 microseconds must use **Sleep** instead of **Stall**.

**18.5.111 StartDependentFn (Start Dependent Function Resource Descriptor Macro)****Syntax**

```
startDependentFn (CompatibilityPriority, PerformancePriority) {ResourceList}
```

**Arguments**

*CompatibilityPriority* indicates the relative compatibility of the configuration specified by *ResourceList* relative to the PC/AT. 0 = Good, 1 = Acceptable, 2 = Sub-optimal.

*PerformancePriority* indicates the relative performance of the configuration specified by *ResourceList* relative to the other configurations. 0 = Good, 1 = Acceptable, 2 = Sub-optimal.

*ResourceList* is a list of resources descriptors which must be selected together for this configuration.

**Description**

The **StartDependentFn** macro evaluates to a buffer which contains a start dependent function resource descriptor, which describes a group of resources which must be selected together. Each subsequent **StartDependentFn** or **StartDependentFnNoPri** resource descriptor introduces a new choice of resources for configuring the device, with the last choice terminated with an **EndDependentFn** resource descriptor. The format of the start dependent function resource descriptor can be found in “Start Dependent Functions Descriptor” (page 226). This macro generates the two-byte form of the resource descriptor. The macro is designed to be used inside of a **ResourceTemplate** (page 544).



### 18.5.112 StartDependentFnNoPri (Start Dependent Function Resource Descriptor Macro)

#### Syntax

```
StartDependentFnNoPri ( ) {ResourceList}
```

#### Description

The **StartDependentFnNoPri** macro evaluates to a buffer which contains a start dependent function resource descriptor, which describes a group of resources which must be selected together. Each subsequent StartDependentFn or StartDependentFnNoPri resource descriptor introduces a new choice of resources for configuring the device, with the last choice terminated with an EndDependentFn resource descriptor. The format of the start dependent function resource descriptor can be found in “Start Dependent Functions Descriptor” (page 226). This macro generates the one-byte form of the resource descriptor. The macro is designed to be used inside of a ResourceTemplate (page 544).

This is similar to StartDependentFn (page 547) with both *CompatibilityPriority* and *PerformancePriority* set to 1, but is one byte shorter.

### 18.5.113 Store (Store an Object)

#### Syntax

```
Store (Source, Destination) => DataRefObject
```

#### Arguments

This operation evaluates *Source*, converts it to the data type of *Destination*, and writes the result into *Destination*. For information on automatic data-type conversion, see section 16.2.2, “ASL Data Types.”

#### Description

Stores to OperationRegion Field data types may relinquish the processor depending on the region type.

All stores (of any type) to the constant **Zero**, constant **One**, or constant **Ones** object are not allowed. Stores to read-only objects are fatal. The execution result of the operation depends on the type of *Destination*. For any type other than an operation region field, the execution result is the same as the data written to *Destination*. For operation region fields with an *AccessType* of **ByteAcc**, **WordAcc**, **DWordAcc**, **QWordAcc** or **AnyAcc**, the execution result is the same as the data written to *Destination* as in the normal case, but when the *AccessType* is **BufferAcc**, the operation region handler may modify the data when it is written to the *Destination* so that the execution result contains modified data.

#### Example

The following example creates the name CNT that references an integer data object with the value 5 and then stores CNT to Local0. After the Store operation, Local0 is an integer object with the value 5.

```
Name (CNT, 5)
Store (CNT, Local0)
```

### 18.5.114 Subtract (Integer Subtract)

#### Syntax

```
Subtract (Minuend, Subtrahend, Result) => Integer
```

#### Arguments

*Minuend* and *Subtrahend* are evaluated as Integers.

## Description

*Subtrahend* is subtracted from *Minuend*, and the result is optionally stored into *Result*. Underflow conditions are ignored and the result simply loses the most significant bits.

## 18.5.115 Switch (Select Code To Execute Based On Expression)

### Syntax

```
switch (Expression) {CaseTermList}
```

### Arguments

*Expression* is an ASL expression that evaluates to an Integer, String or Buffer.

### Description

The **Switch**, **Case** and **Default** statements help simplify the creation of conditional and branching code. The **Switch** statement transfers control to a statement within the enclosed body of executable ASL code

If the **Case Value** is an Integer, Buffer or String, then control passes to the statement that matches the value of **Switch (Expression)**. If the **Case** value is a Package, then control passes if any member of the package matches the **Switch (Value)**. The **Switch CaseTermList** can include any number of **Case** instances, but no two **Case Values** (or members of a *Value*, if *Value* is a Package) within the same **Switch** statement can have the same value.

Execution of the statement body begins at the selected TermList and proceeds until the TermList end of body or until a **Break** or **Continue** statement transfers control out of the body.

The **Default** statement is executed if no **Case Value** matches the value of **Switch (expression)**. If the **Default** statement is omitted, and no **Case** match is found, none of the statements in the **Switch** body are executed. There can be at most one **Default** statement. The **Default** statement can appear anywhere in the body of the **Switch** statement.

A **Case** or **Default** term can only appear inside a **Switch** statement. Switch statements can be nested.

**Compatibility Note:** The **Switch**, **Case**, and **Default** terms were first introduced in ACPI 2.0. However, their implementation is backward compatible with ACPI 1.0 AML interpreters.

### Example

Use of the **Switch** statement usually looks something like this:

```
switch (expression)
{
    Case (value) {
        Statements executed if Lequal (expression, value)
    }
    Case (Package () {value, value, value}) {
        Statements executed if Lequal (expression, any value in package)
    }
    Default {
        Statements executed if expression does not equal
        any case constant-expression
    }
}
```

**Compiler Note:** The following example demonstrates how the Switch statement should be translated into ACPI 1.0-compatible AML:

```

Switch (Add (ABCD ( ),1)
{
  Case (1) {
    ...statements1...
  }
  Case (Package () {4,5,6}) {
    ...statements2...
  }
  Default {
    ...statements3...
  }
}

```

is translated as:

```

Name (_T_I, 0) // Create Integer temporary variable for result
While (One)
{
  Store (Add (ABCD (), 1), _T_I)
  If (LEqual (_T_I, 1)) {
    ...statements1...
  }
  Else {
    If (LNotEqual (Match (Package () {4, 5, 6}, MEQ, _T_I, MTR, 0, 0), Ones)) {
      ...statements2...
    }
    Else {
      ...statements3...
    }
  }
  Break
}

```

The **While (One)** is emitted to enable the use of **Break** and **Continue** within the Switch statement. Temporary names emitted by the ASL compiler should appear at the top level of the method, since the Switch statement could appear within a loop and thus attempt to create the name more than once.

**Note:** If the ASL compiler is unable to determine the type of the expression, then it will generate a warning and assume a type of Integer. The warning will indicate that the code should use one of the type conversion operators (Such as ToInteger, ToBuffer, ToDecimalString or ToHexString). Caution: Some of these operators are defined starting with ACPI 2.0 and as such may not be supported by ACPI 1.0b compatible interpreters.

For example:

```

Switch (ABCD ()) // Cannot determine the type because methods can return anything.
{
  ...case statements...
}

```

will generate a warning and the following code:

```

Name (_T_I, 0)
Store (ABCD (), _T_I)

```

To remove the warning, the code should be:

```

Switch (ToInteger (ABCD ()))
{
  ...case statements...
}

```

### 18.5.116 ThermalZone (Declare Thermal Zone)

#### Syntax

```
ThermalZone (ThermalZoneName) {ObjectList}
```

#### Arguments

Declares a Thermal Zone object named *ThermalZoneName*. **ThermalZone** opens a name scope.

Each use of a **ThermalZone** term declares one thermal zone in the system. Each thermal zone in a system is required to have a unique *ThermalZoneName*.

#### Description

A thermal zone may be declared in the namespace anywhere within the `\_SB` scope. For compatibility with operating systems implementing ACPI 1.0, a thermal zone may also be declared under the `\_TZ` scope. An ACPI-compatible namespace may define Thermal Zone objects in either the `\_SB` or `\_TZ` scope but not both.

For example ASL code that uses a ThermalZone statement, see section 12, “Thermal Management.”

### 18.5.117 Timer (Get 64-Bit Timer Value)

#### Syntax

```
Timer => Integer
```

#### Description

The timer opcode returns a monotonically increasing value that can be used by ACPI methods to measure time passing, this enables speed optimization by allowing AML code to mark the passage of time independent of OS ACPI interpreter implementation.

The **Sleep** opcode can only indicate waiting for longer than the time specified.

The value resulting from this opcode is 64-bits. It is monotonically increasing, but it is not guaranteed that every result will be unique, i.e. two subsequent instructions may return the same value. The only guarantee is that each subsequent evaluation will be greater-than or equal to the previous ones.

The period of this timer is 100 nanoseconds. While the underlying hardware may not support this granularity, the interpreter will do the conversion from the actual timer hardware frequency into 100 nanosecond units.

Users of this opcode should realize that a value returned only represents the time at which the opcode itself executed. There is no guarantee that the next opcode in the instruction stream will execute in any particular time bound.

The OSPM can implement this using the ACPI Timer and keep track of overrun. Other implementations are possible. This provides abstraction away from chipset differences

**Compatibility Note:** New for ACPI 3.0

### 18.5.118 ToBCD (Convert Integer to BCD)

#### Syntax

```
ToBCD (Value, Result) => Integer
```

#### Arguments

*Value* is evaluated as an integer

#### Description

The **ToBCD** operator is used to convert *Value* from a numeric (Integer) format to a BCD format and optionally store the numeric value into *Result*.

### 18.5.119 ToBuffer (Convert Data to Buffer)

#### Syntax

```
ToBuffer (Data, Result) => Buffer
```

#### Arguments

*Data* must be an Integer, String, or Buffer data type.

#### Description

*Data* is converted to buffer type and the result is optionally stored into *Result*. If *Data* is an integer, it is converted into *n* bytes of buffer (where *n* is 4 if the definition block has defined integers as 32-bits or 8 if the definition block has defined integers as 64-bits as indicated by the Definition Block table header's Revision field), taking the least significant byte of integer as the first byte of buffer. If *Data* is a buffer, no conversion is performed. If *Data* is a string, each ASCII string character is copied to one buffer byte, including the string null terminator. A null (zero-length) string will be converted to a zero-length buffer.

### 18.5.120 ToDecimalString (Convert Data to Decimal String)

#### Syntax

```
ToDecimalString (Data, Result) => String
```

#### Arguments

*Data* must be an Integer, String, or Buffer data type.

#### Description

*Data* is converted to a decimal string, and the result is optionally stored into *Result*. If *Data* is already a string, no action is performed. If *Data* is a buffer, it is converted to a string of decimal values separated by commas. (Each byte of the buffer is converted to a single decimal value.) A zero-length buffer will be converted to a null (zero-length) string.

### 18.5.121 ToHexString (Convert Data to Hexadecimal String)

#### Syntax

```
ToHexString (Data, Result) => String
```

#### Arguments

*Data* must be an Integer, String, or Buffer data type.

#### Description

*Data* is converted to a hexadecimal string, and the result is optionally stored into *Result*. If *Data* is already a string, no action is performed. If *Data* is a buffer, it is converted to a string of hexadecimal values separated by commas. A zero-length buffer will be converted to a null (zero-length) string.

### 18.5.122 ToInteger (Convert Data to Integer)

#### Syntax

```
ToInteger (Data, Result) => Integer
```

#### Arguments

*Data* must be an Integer, String, or Buffer data type.

#### Description

*Data* is converted to integer type and the result is optionally stored into *Result*. If *Data* is a string, it must be either a decimal or hexadecimal numeric string (in other words, prefixed by “0x”) and the value must not exceed the maximum of an integer value. If the value is exceeding the maximum, the result of the conversion is unpredictable. A null (zero-length) string is illegal. If *Data* is a Buffer, the first 8 bytes of the buffer are converted to an integer, taking the first byte as the least significant byte of the integer. A zero-length buffer is illegal. If *Data* is an integer, no action is performed.

### 18.5.123 ToString (Convert Buffer To String)

#### Syntax

```
ToString (Source, Length, Result) => String
```

#### Arguments

*Source* is evaluated as a buffer. *Length* is evaluated as an integer data type.

#### Description

Starting with the first byte, the contents of the buffer are copied into the string until the number of characters specified by *Length* is reached or a null (0) character is found. If *Length* is not specified or is **Ones**, then the contents of the buffer are copied until a null (0) character is found. If the source buffer has a length of zero, a zero length (null terminator only) string will be created. The result is copied into the *Result*.

## 18.5.124 ToUUID (Convert String to UUID Macro)

### Syntax

```
ToUUID (AsciiString) => Buffer
```

### Arguments

*AsciiString* is evaluated as a String data type.

### Description

This macro will convert an ASCII string to a 128-bit buffer. The string must have the following format:

**aabbccdd-eeff-gghh-ii jj-kkllmmnnoopp**

where *aa – pp* are one byte hexadecimal numbers, made up of hexadecimal digits. The resulting buffer has the following format:

**Table 18-21 UUID Buffer Format**

String	Offset In Buffer
aa	3
bb	2
cc	1
dd	0
ee	5
ff	4
gg	7
hh	6
ii	8
jj	9
kk	10
ll	11
mm	12
nn	13
oo	14
pp	15

**Compatibility Note:** New for ACPI 3.0

### 18.5.125 Unicode (String To Unicode Conversion Macro)

#### Syntax

```
Unicode (String) => Buffer
```

#### Arguments

This macro will convert a string to a Unicode (UTF-16) string contained in a buffer. The format of the Unicode string is 16 bits per character, with a 16-bit null terminator.

### 18.5.126 Unload (Unload Definition Block)

#### Syntax

```
Unload (Handle)
```

#### Arguments

*Handle* is evaluated as a DDBHandle data type.

#### Description

Performs a run-time unload of a Definition Block that was loaded using a **Load** term or **LoadTable** term. Loading or unloading a Definition Block is a synchronous operation, and no control method execution occurs during the function. On completion of the **Unload** operation, the Definition Block has been unloaded (all the namespace objects created as a result of the corresponding **Load** operation will be removed from the namespace).

### 18.5.127 VendorLong (Long Vendor Resource Descriptor)

#### Syntax

```
VendorLong (DescriptorName) {VendorByteList}
```

#### Arguments

*DescriptorName* is an optional argument that specifies a name for an integer constant that will be created in the current scope that contains the offset of this resource descriptor within the current resource template buffer.

*VendorByteList* evaluates to a comma-separated list of 8-bit integer constants, where each byte is added verbatim to the body of the VendorLong resource descriptor. A maximum of n bytes can be specified. UUID and UUID specific descriptor subtype are part of the *VendorByteList*.

#### Description

The **VendorLong** macro evaluates to a buffer which contains a vendor-defined resource descriptor. The format of the long form of the vendor-defined resource descriptor can be found in Vendor-Defined Descriptor (page 232). The macro is designed to be used inside of a ResourceTemplate (page 544).

This is similar to VendorShort (page 555), except that the number of allowed bytes in *VendorByteList* is 65,533 (instead of 7).



### 18.5.128 VendorShort (Short Vendor Resource Descriptor)

#### Syntax

```
VendorShort (DescriptorName) {VendorByteList}
```

#### Arguments

*DescriptorName* is an optional argument that specifies a name for an integer constant that will be created in the current scope that contains the offset of this resource descriptor within the current resource template buffer.

#### Description

The **VendorShort** macro evaluates to a buffer which contains a vendor-defined resource descriptor. The format of the short form of the vendor-defined resource descriptor can be found in “Vendor-Defined Descriptor” (page 229). The macro is designed to be used inside of a ResourceTemplate (page 544).

This is similar to VendorLong (page 555), except that the number of allowed bytes in *VendorByteList* is 7 (instead of 65,533).

### 18.5.129 Wait (Wait for a Synchronization Event)

#### Syntax

```
Wait (SyncObject, TimeoutValue) => Boolean
```

#### Arguments

*SyncObject* must be an event synchronization object. *TimeoutValue* is evaluated as an Integer. The calling method blocks while waiting for the event to be signaled.

#### Description

The pending signal count is decremented. If there is no pending signal count, the processor is relinquished until a signal count is posted to the Event or until at least *TimeoutValue* milliseconds have elapsed.

This operation returns a non-zero value if a timeout occurred and a signal was not acquired. A *TimeoutValue* of 0xFFFF (or greater) indicates that there is no time out and the operation will wait indefinitely.

### 18.5.130 While (Conditional Loop)

#### Syntax

```
while (Predicate) {TermList}
```

#### Arguments

*Predicate* is evaluated as an integer.

#### Description

If the *Predicate* is non-zero, the list of terms in TermList is executed. The operation repeats until the *Predicate* evaluates to zero.

**Note:** Creation of a named object more than once in a given scope is not allowed. As such, unconditionally creating named objects within a **While** loop must be avoided. A fatal error will be generated on the second iteration of the loop, during the attempt to create the same named object a second time.

### 18.5.131 WordBusNumber (Word Bus Number Resource Descriptor Macro)

#### Syntax

```
WordBusNumber (ResourceUsage, IsMinFixed, IsMaxFixed, Decode, AddressGranularity, AddressMinimum, AddressMaximum, AddressTranslation, RangeLength, ResourceSourceIndex, ResourceSource, DescriptorName)
```

#### Arguments

*ResourceUsage* specifies whether the bus range is consumed by this device (**ResourceConsumer**) or passed on to child devices (**ResourceProducer**). If nothing is specified, then ResourceConsumer is assumed.

*IsMinFixed* specifies whether the minimum address of this bus number range is fixed (**MinFixed**) or can be changed (**MinNotFixed**). If nothing is specified, then MinNotFixed is assumed. The 1-bit field *DescriptorName*. *\_MIF* is automatically created to refer to this portion of the resource descriptor, where '1' is MinFixed and '0' is MinNotFixed.

*IsMaxFixed* specifies whether the maximum address of this bus number range is fixed (**MaxFixed**) or can be changed (**MaxNotFixed**). If nothing is specified, then MaxNotFixed is assumed. The 1-bit field *DescriptorName*. *\_MAF* is automatically created to refer to this portion of the resource descriptor, where '1' is MaxFixed and '0' is MaxNotFixed.

*Decode* specifies whether or not the device decodes the bus number range using positive (**PosDecode**) or subtractive (**SubDecode**) decode. If nothing is specified, then PosDecode is assumed. The 1-bit field *DescriptorName*. *\_DEC* is automatically created to refer to this portion of the resource descriptor, where '1' is SubDecode and '0' is PosDecode.

*AddressGranularity* evaluates to a 16-bit integer that specifies the power-of-two boundary (- 1) on which the bus number range must be aligned. The 16-bit field *DescriptorName*. *\_GRA* is automatically created to refer to this portion of the resource descriptor.

*AddressMinimum* evaluates to a 16-bit integer that specifies the lowest possible bus number for the bus number range. The value must have '0' in all bits where the corresponding bit in *AddressGranularity* is '1'. For bridge devices which translate addresses, this is the address on the secondary bus. The 16-bit field *DescriptorName*. *\_MIN* is automatically created to refer to this portion of the resource descriptor.

*AddressMaximum* evaluates to a 16-bit integer that specifies the highest possible bus number for the bus number range. The value must have '0' in all bits where the corresponding bit in *AddressGranularity* is '1'. For bridge devices which translate addresses, this is the address on the secondary bus. The 16-bit field *DescriptorName*. *\_MAX* is automatically created to refer to this portion of the resource descriptor.

*AddressTranslation* evaluates to a 16-bit integer that specifies the offset to be added to a secondary bus bus number which results in the corresponding primary bus bus number. For all non-bridge devices or bridges which do not perform translation, this must be '0'. The 16-bit field *DescriptorName*. *\_TRA* is automatically created to refer to this portion of the resource descriptor.

*RangeLength* evaluates to a 16-bit integer that specifies the total number of bus numbers decoded in the bus number range. The 16-bit field *DescriptorName*. *\_LEN* is automatically created to refer to this portion of the resource descriptor.

*ResourceSourceIndex* is an optional argument which evaluates to an 8-bit integer that specifies the resource descriptor within the object specified by *ResourceSource*. If this argument is specified, the *ResourceSource* argument must also be specified.

*ResourceSource* is an optional argument which evaluates to a string containing the path of a device which produces the pool of resources from which this I/O range is allocated. If this argument is specified, but the *ResourceSourceIndex* argument is not specified, a zero value is assumed.

*DescriptorName* is an optional argument that specifies a name for an integer constant that will be created in the current scope that contains the offset of this resource descriptor within the current resource template buffer. The predefined descriptor field names may be appended to this name to access individual fields within the descriptor via the Buffer Field operators.

## Description

The **WordBusNumber** macro evaluates to a buffer which contains a 16-bit bus-number resource descriptor. The format of the 16-bit bus number resource descriptor can be found in “Word Address Space Descriptor” (page 240). The macro is designed to be used inside of a ResourceTemplate (page 544).

## 18.5.132 WordIO (Word IO Resource Descriptor Macro)

### Syntax

```
WordIO (ResourceUsage, IsMinFixed, IsMaxFixed, Decode, ISARanges,  
AddressGranularity, AddressMinimum, AddressMaximum, AddressTranslation,  
RangeLength, ResourceSourceIndex, ResourceSource, DescriptorName,  
TranslationType, TranslationDensity)
```

### Arguments

*ResourceUsage* specifies whether the I/O range is consumed by this device (**ResourceConsumer**) or passed on to child devices (**ResourceProducer**). If nothing is specified, then ResourceConsumer is assumed.

*IsMinFixed* specifies whether the minimum address of this I/O range is fixed (**MinFixed**) or can be changed (**MinNotFixed**). If nothing is specified, then MinNotFixed is assumed. The 1-bit field *DescriptorName*. *\_MIF* is automatically created to refer to this portion of the resource descriptor, where ‘1’ is MinFixed and ‘0’ is MinNotFixed.

*IsMaxFixed* specifies whether the maximum address of this I/O range is fixed (**MaxFixed**) or can be changed (**MaxNotFixed**). If nothing is specified, then MaxNotFixed is assumed. The 1-bit field *DescriptorName*. *\_MAF* is automatically created to refer to this portion of the resource descriptor, where ‘1’ is MaxFixed and ‘0’ is MaxNotFixed.

*Decode* specifies whether or not the device decodes the I/O range using positive (**PosDecode**) or subtractive (**SubDecode**) decode. If nothing is specified, then PosDecode is assumed. The 1-bit field *DescriptorName*. *\_DEC* is automatically created to refer to this portion of the resource descriptor, where ‘1’ is SubDecode and ‘0’ is PosDecode.

*ISARanges* specifies whether the I/O ranges specifies are limited to valid ISA I/O ranges (**ISAOnly**), valid non-ISA I/O ranges (**NonISAOnly**) or encompass the whole range without limitation (**EntireRange**). The 2-bit field *DescriptorName*. *\_RNG* is automatically created to refer to this portion of the resource descriptor, where ‘1’ is NonISAOnly, ‘2’ is ISAOnly and ‘0’ is EntireRange.

*AddressGranularity* evaluates to a 16-bit integer that specifies the power-of-two boundary (- 1) on which the I/O range must be aligned. The 16-bit field *DescriptorName*. *\_GRA* is automatically created to refer to this portion of the resource descriptor.

*AddressMinimum* evaluates to a 16-bit integer that specifies the lowest possible base address of the I/O range. The value must have ‘0’ in all bits where the corresponding bit in *AddressGranularity* is ‘1’. For bridge devices which translate addresses, this is the address on the secondary bus. The 16-bit field *DescriptorName*. *\_MIN* is automatically created to refer to this portion of the resource descriptor.

*AddressMaximum* evaluates to a 16-bit integer that specifies the highest possible base address of the I/O range. The value must have ‘0’ in all bits where the corresponding bit in *AddressGranularity* is ‘1’. For bridge devices which translate addresses, this is the address on the secondary bus. The 16-bit field *DescriptorName*. *\_MAX* is automatically created to refer to this portion of the resource descriptor.

*AddressTranslation* evaluates to a 16-bit integer that specifies the offset to be added to a secondary bus I/O address which results in the corresponding primary bus I/O address. For all non-bridge devices or bridges which do not perform translation, this must be '0'. The 16-bit field *DescriptorName.\_TRA* is automatically created to refer to this portion of the resource descriptor.

*RangeLength* evaluates to a 16-bit integer that specifies the total number of bytes decoded in the I/O range. The 16-bit field *DescriptorName.\_LEN* is automatically created to refer to this portion of the resource descriptor.

*ResourceSourceIndex* is an optional argument which evaluates to an 8-bit integer that specifies the resource descriptor within the object specified by *ResourceSource*. If this argument is specified, the *ResourceSource* argument must also be specified.

*ResourceSource* is an optional argument which evaluates to a string containing the path of a device which produces the pool of resources from which this I/O range is allocated. If this argument is specified, but the *ResourceSourceIndex* argument is not specified, a zero value is assumed.

*DescriptorName* is an optional argument that specifies a name for an integer constant that will be created in the current scope that contains the offset of this resource descriptor within the current resource template buffer. The predefined descriptor field names may be appended to this name to access individual fields within the descriptor via the Buffer Field operators.

*TranslationType* is an optional argument that specifies whether the resource type on the secondary side of the bus is different (**TypeTranslation**) from that on the primary side of the bus or the same (**TypeStatic**). If **TypeTranslation** is specified, then the secondary side of the bus is Memory. If **TypeStatic** is specified, then the secondary side of the bus is I/O. If nothing is specified, then **TypeStatic** is assumed. The 1-bit field *DescriptorName.\_TTP* is automatically created to refer to this portion of the resource descriptor, where '1' is **TypeTranslation** and '0' is **TypeStatic**. See *\_TTP* (page 248) for more information

*TranslationDensity* is an optional argument that specifies whether or not the translation from the primary to secondary bus is sparse (**SparseTranslation**) or dense (**DenseTranslation**). It is only used when *TranslationType* is **TypeTranslation**. If nothing is specified, then **DenseTranslation** is assumed. The 1-bit field *DescriptorName.\_TRS* is automatically created to refer to this portion of the resource descriptor, where '1' is **SparseTranslation** and '0' is **DenseTranslation**. See *\_TRS* (page 248) for more information.

## Description

The **WordIO** macro evaluates to a buffer which contains a 16-bit I/O range resource descriptor. The format of the 16-bit I/O range resource descriptor can be found in "Word Address Space Descriptor" (page 240). The macro is designed to be used inside of a *ResourceTemplate* (page 544).

### 18.5.133 WordSpace (Word Space Resource Descriptor Macro)

#### Syntax

```
WordSpace (ResourceType, ResourceUsage, Decode, IsMinFixed, IsMaxFixed,
TypeSpecificFlags, AddressGranularity, AddressMinimum, AddressMaximum,
AddressTranslation, RangeLength, ResourceSourceIndex, ResourceSource,
DescriptorName)
```

#### Arguments

*ResourceType* evaluates to an 8-bit integer that specifies the type of this resource. Acceptable values are 0xC0 through 0xFF.

*ResourceUsage* specifies whether the bus range is consumed by this device (**ResourceConsumer**) or passed on to child devices (**ResourceProducer**). If nothing is specified, then **ResourceConsumer** is assumed.

*Decode* specifies whether or not the device decodes the bus number range using positive (**PosDecode**) or subtractive (**SubDecode**) decode. If nothing is specified, then PosDecode is assumed. The 1-bit field *DescriptorName*. \_DEC is automatically created to refer to this portion of the resource descriptor, where '1' is SubDecode and '0' is PosDecode.

*IsMinFixed* specifies whether the minimum address of this bus number range is fixed (**MinFixed**) or can be changed (**MinNotFixed**). If nothing is specified, then MinNotFixed is assumed. The 1-bit field *DescriptorName*. \_MIF is automatically created to refer to this portion of the resource descriptor, where '1' is MinFixed and '0' is MinNotFixed.

*IsMaxFixed* specifies whether the maximum address of this bus number range is fixed (**MaxFixed**) or can be changed (**MaxNotFixed**). If nothing is specified, then MaxNotFixed is assumed. The 1-bit field *DescriptorName*. \_MAF is automatically created to refer to this portion of the resource descriptor, where '1' is MaxFixed and '0' is MaxNotFixed.

*TypeSpecificFlags* evaluates to an 8-bit integer. The flags are specific to the *ResourceType*.

*AddressGranularity* evaluates to a 16-bit integer that specifies the power-of-two boundary (- 1) on which the bus number range must be aligned. The 16-bit field *DescriptorName*. \_GRA is automatically created to refer to this portion of the resource descriptor.

*AddressMinimum* evaluates to a 16-bit integer that specifies the lowest possible bus number for the bus number range. The value must have '0' in all bits where the corresponding bit in *AddressGranularity* is '1'. For bridge devices which translate addresses, this is the address on the secondary bus. The 16-bit field *DescriptorName*. \_MIN is automatically created to refer to this portion of the resource descriptor.

*AddressMaximum* evaluates to a 16-bit integer that specifies the highest possible bus number for the bus number range. The value must have '0' in all bits where the corresponding bit in *AddressGranularity* is '1'. For bridge devices which translate addresses, this is the address on the secondary bus. The 16-bit field *DescriptorName*. \_MAX is automatically created to refer to this portion of the resource descriptor.

*AddressTranslation* evaluates to a 16-bit integer that specifies the offset to be added to a secondary bus bus number which results in the corresponding primary bus bus number. For all non-bridge devices or bridges which do not perform translation, this must be '0'. The 16-bit field *DescriptorName*. \_TRA is automatically created to refer to this portion of the resource descriptor.

*RangeLength* evaluates to a 16-bit integer that specifies the total number of bus numbers decoded in the bus number range. The 16-bit field *DescriptorName*. \_LEN is automatically created to refer to this portion of the resource descriptor.

*ResourceSourceIndex* is an optional argument which evaluates to an 8-bit integer that specifies the resource descriptor within the object specified by *ResourceSource*. If this argument is specified, the *ResourceSource* argument must also be specified.

*ResourceSource* is an optional argument which evaluates to a string containing the path of a device which produces the pool of resources from which this I/O range is allocated. If this argument is specified, but the *ResourceSourceIndex* argument is not specified, a zero value is assumed.

*DescriptorName* is an optional argument that specifies a name for an integer constant that will be created in the current scope that contains the offset of this resource descriptor within the current resource template buffer. The predefined descriptor field names may be appended to this name to access individual fields within the descriptor via the Buffer Field operators.

## Description

The **WordSpace** macro evaluates to a buffer which contains a 16-bit Address Space resource descriptor. The format of the 16-bit Address Space resource descriptor can be found in "Word Address Space Descriptor" (page 240). The macro is designed to be used inside of a ResourceTemplate (page 544).

### 18.5.134 XOr (Integer Bitwise Xor)

#### Syntax

```
xOr (Source1, Source2, Result) => Integer
```

#### Arguments

*Source1* and *Source2* are evaluated as Integers.

#### Description

A bitwise **XOR** is performed and the result is optionally stored into *Result*.

### 18.5.135 Zero (Constant Zero Object)

#### Syntax

```
Zero
```

#### Description

The constant **Zero** object is an object of type Integer that will always read as all bits clear. Writes to this object are not allowed.

## 19 ACPI Machine Language (AML) Specification

This section formally defines the ACPI Control Method Machine Language (AML) language. AML is the ACPI Control Method virtual machine language, machine code for a virtual machine that is supported by an ACPI-compatible OS. ACPI control methods can be written in AML, but humans ordinarily write control methods in ASL.

AML is the language processed by the ACPI AML interpreter. It is primarily a declarative language. It's best not to think of it as a stream of code, but rather as a set of declarations that the ACPI AML interpreter will compile into the ACPI Namespace at definition block load time. For example, notice that DefByte allocates an anonymous integer variable with a byte-size initial value in ACPI namespace, and passes in an initial value. The byte in the AML stream that defines the initial value is *not* the address of the variable's storage location.

An OEM or BIOS vendor needs to write ASL and be able to single-step AML for debugging. (Debuggers and other ACPI control method language tools are expected to be AML-level tools, not source-level tools.) An ASL translator implementer must understand how to read ASL and generate AML. An AML interpreter author must understand how to execute AML.

AML and ASL are *different languages* though they are closely related.

All ACPI-compatible operating systems must support AML. A given user can define some arbitrary source language (to replace ASL) and write a tool to translate it to AML. However, the ACPI group will support a single translator for a single language, ASL.

### 19.1 Notation Conventions

The notation conventions in the table below help the reader to interpret the AML formal grammar.

**Table 19-1 AML Grammar Notation Conventions**

Notation Convention	Description	Example
<i>0xdd</i>	Refers to a byte value expressed as 2 hexadecimal digits.	0x21
Number in bold.	Denotes the encoding of the AML term.	
Term => Evaluated Type	Shows the resulting type of the evaluation of Term.	
Single quotes ( ' ' )	Indicate constant characters.	'A' => 0x41
Term := Term Term ...	The term to the left of := can be expanded into the sequence of terms on the right.	aterm := bterm cterm means that aterm can be expanded into the two-term sequence of bterm followed by cterm.
Term Term Term ...	Terms separated from each other by spaces form an ordered list.	
Angle brackets (< > )	Used to group items.	<a b>   <c d> means either a b or c d.

Notation Convention	Description	Example
Bar symbol (   )	Separates alternatives.	<p>aterm := bterm   [cterm dterm] means the following constructs are possible:</p> <p>bterm cterm dterm</p> <p>aterm := [bterm   cterm] dterm means the following constructs are possible:</p> <p>bterm dterm cterm dterm</p>
Dash character ( - )	Indicates a range.	1-9 means a single digit in the range 1 to 9 inclusive.
Parenthesized term following another term.	The parenthesized term is the repeat count of the previous term.	<p>aterm(3) means aterm aterm aterm.</p> <p>bterm(<i>n</i>) means <i>n</i> number of bterms.</p>

## 19.2 AML Grammar Definition

This section defines the byte values that make up an AML byte stream.

The AML encoding can be categorized in the following groups:

- Table and Table Header encoding
- Name objects encoding
- Data objects encoding
- Package length encoding
- Term objects encoding
- Miscellaneous objects encoding

### 19.2.1 Table and Table Header Encoding

```

AMLCode          := DefBlockHeader TermList

DefBlockHeader   := TableSignature TableLength SpecCompliance CheckSum OemID
                  OemTableID OemRevision CreatorID CreatorRevision

TableSignature   := DWordData           // As defined in section 5.2.3.
TableLength      := DWordData           // Length of the table in bytes including
                                        // the block header.
SpecCompliance   := ByteData            // The revision of the structure.
Checksum         := ByteData            // Byte checksum of the entire table.
OemID            := ByteData(6)         // OEM ID of up to 6 characters. If the OEM
                                        // ID is shorter than 6 characters, it
                                        // can be terminated with a NULL
                                        // character.
OemTableID       := ByteData(8)         // OEM Table ID of up to 8 characters. If
                                        // the OEM Table ID is shorter than 8
                                        // characters, it can be terminated with
                                        // a NULL character.
OemRevision      := DWordData           // OEM Table Revision.
CreatorID        := DWordData           // Vendor ID of the ASL compiler.
CreatorRevision  := DWordData           // Revision of the ASL compiler.

```

### 19.2.2 Name Objects Encoding

```

LeadNameChar     := '\A'-'Z' | '_'
DigitChar        := '0'-'9'
NameChar         := DigitChar | LeadNameChar
RootChar         := '\'
ParentPrefixChar := '^'

```



```

'A'-'Z'      := 0x41 - 0x5A
'_'         := 0x5F
'0'-'9'     := 0x30 - 0x39
'\'        := 0x5C
'^'         := 0x5E

NameSeg      := <LeadNameChar NameChar NameChar NameChar>
              // Notice that NameSegs shorter than 4 characters are filled with
              // trailing underscores ('\_'s).

NameString   := <RootChar NamePath> | <PrefixPath NamePath>
PrefixPath  := Nothing | <'^' PrefixPath>
NamePath     := NameSeg | DualNamePath | MultiNamePath | NullName

DualNamePath := DualNamePrefix NameSeg NameSeg
DualNamePrefix := 0x2E
MultiNamePath := MultiNamePrefix SegCount NameSeg(SegCount)
MultiNamePrefix := 0x2F

SegCount     := ByteData

Note: SegCount can be from 1 to 255. For example: MultiNamePrefix(35) is encoded as
0x2f 0x23 and followed by 35 NameSegs. So, the total encoding length will be 1 + 1 +
35*4 = 142. Notice that: DualNamePrefix NameSeg NameSeg has a smaller encoding than
the encoding of: MultiNamePrefix(2) NameSeg NameSeg

SimpleName   := NameString | ArgObj | LocalObj
SuperName    := SimpleName | DebugObj | Type6Opcode
NullName     := 0x00
Target       := SuperName | NullName

```

### 19.2.3 Data Objects Encoding

```

ComputationalData := ByteConst | WordConst | DWordConst | QWordConst | String |
                    ConstObj | RevisionOp | DefBuffer
DataObject        := ComputationalData | DefPackage | DefVarPackage
DataRefObject     := DataObject | ObjectReference | DDBHandle

ByteConst         := BytePrefix ByteData
BytePrefix        := 0x0A
WordConst         := WordPrefix WordData
WordPrefix        := 0x0B
DWordConst        := DWordPrefix DWordData
DWordPrefix       := 0x0C
QWordConst        := QWordPrefix QWordData
QWordPrefix       := 0x0E
String            := StringPrefix AsciiCharList NullChar
StringPrefix      := 0x0D

ConstObj          := ZeroOp | OneOp | OnesOp
ByteList          := Nothing | <ByteData ByteList>
ByteData          := 0x00 - 0xFF
WordData          := ByteData[0:7] ByteData[8:15]
                  // 0x0000-0xFFFF
DWordData         := WordData[0:15] WordData[16:31]
                  // 0x00000000-0xFFFFFFFF
QWordData         := DWordData[0:31] DWordData[32:63]
                  // 0x0000000000000000-0xFFFFFFFFFFFFFFFF

AsciiCharList    := Nothing | <AsciiChar AsciiCharList>
AsciiChar        := 0x01 - 0x7F
NullChar         := 0x00
ZeroOp           := 0x00
OneOp            := 0x01
OnesOp           := 0xFF
RevisionOp       := ExtOpPrefix 0x30
ExtOpPrefix      := 0x5B

```

## 19.2.4 Package Length Encoding

```

PkgLength      := PkgLeadByte |
                  <PkgLeadByte ByteData> |
                  <PkgLeadByte ByteData ByteData> |
                  <PkgLeadByte ByteData ByteData ByteData>

PkgLeadByte    := <bit 7-6: ByteData count that follows (0-3)>
                  <bit 5-4: Only used if PkgLength < 63>
                  <bit 3-0: Least significant package length nybble>

```

Note: The high 2 bits of the first byte reveal how many follow bytes are in the **PkgLength**. If the **PkgLength** has only one byte, bit 0 through 5 are used to encode the package length (in other words, values 0-63). If the package length value is more than 63, more than one byte must be used for the encoding in which case bit 4 and 5 of the **PkgLeadByte** are reserved and must be zero. If the multiple bytes encoding is used, bits 0-3 of the **PkgLeadByte** become the least significant 4 bits of the resulting package length value. The next **ByteData** will become the next least significant 8 bits of the resulting value and so on, up to 3 **ByteData** bytes. Thus, the maximum package length is  $2^{28}$ .

## 19.2.5 Term Objects Encoding

```

TermObj        := NamespaceModifierObj | NamedObj | Type1Opcode | Type2Opcode
TermList       := Nothing | <TermObj TermList>

TermArg        := Type2Opcode | DataObject | ArgObj | LocalObj
UserTermObj    := NameString TermArgList
TermArgList    := Nothing | <TermArg TermArgList>

ObjectList     := Nothing | <Object ObjectList>
Object         := NamespaceModifierObj | NamedObj

```

### 19.2.5.1 Namespace Modifier Objects Encoding

```

NamespaceModifierObj := DefAlias | DefName | DefScope

DefAlias             := AliasOp NameString NameString
AliasOp              := 0x06

DefName              := NameOp NameString DataRefObject
NameOp               := 0x08

DefScope             := ScopeOp PkgLength NameString TermList
ScopeOp              := 0x10

```

### 19.2.5.2 Named Objects Encoding

```

NamedObj           := DefBankField | DefCreateBitField | DefCreateByteField |
                    DefCreateDWordField | DefCreateField | DefCreateQWordField |
                    DefCreateWordField | DefDataRegion | DefDevice | DefEvent |
                    DefField | DefIndexField | DefMethod | DefMutex | DefOpRegion |
                    DefPowerRes | DefProcessor | DefThermalZone

DefBankField       := BankFieldOp PkgLength NameString NameString BankValue FieldFlags
                    FieldList
BankFieldOp        := ExtOpPrefix 0x87
BankValue           := TermArg => Integer

```

```

FieldFlags      := ByteData          // bit 0-3:  AccessType
                                           //          0  AnyAcc
                                           //          1  ByteAcc
                                           //          2  WordAcc
                                           //          3  DWordAcc
                                           //          4  QWordAcc
                                           //          5  BufferAcc
                                           //          6  Reserved
                                           //          7-15 Reserved
                                           // bit 4:  LockRule
                                           //          0  NoLock
                                           //          1  Lock
                                           // bit 5-6: UpdateRule
                                           //          0  Preserve
                                           //          1  WriteAsOnes
                                           //          2  WriteAsZeros
                                           // bit 7:  Reserved (must be 0)

FieldList       := Nothing | <FieldElement FieldList>
FieldElement    := NamedField | ReservedField | AccessField
NamedField      := NameSeg PkgLength
ReservedField   := 0x00 PkgLength
AccessField     := 0x01 AccessType AccessAttrib
AccessType      := ByteData          // Same as AccessType bits of FieldFlags.
AccessAttrib    := ByteData          // If AccessType is BufferAcc for the SMB
                                           // OpRegion, AccessAttrib can be one of
                                           // the following values:
                                           //          0x02  SMBQuick
                                           //          0x04  SMBSendReceive
                                           //          0x06  SMBByte
                                           //          0x08  SMBWord
                                           //          0x0A  SMBBlock
                                           //          0x0C  SMBProcessCall
                                           //          0x0D  SMBBlockProcessCall

DefCreateBitField := CreateBitFieldOp SourceBuff BitIndex NameString
CreateBitFieldOp  := 0x8D
SourceBuff        := TermArg => Buffer
BitIndex          := TermArg => Integer

DefCreateByteField := CreateByteFieldOp SourceBuff ByteIndex NameString
CreateByteFieldOp  := 0x8C
ByteIndex         := TermArg => Integer

DefCreateDWordField := CreateDWordFieldOp SourceBuff ByteIndex NameString
CreateDWordFieldOp  := 0x8A

DefCreateField      := CreateFieldOp SourceBuff BitIndex NumBits NameString
CreateFieldOp       := ExtOpPrefix 0x13
NumBits            := TermArg => Integer

DefCreateQWordField := CreateQWordFieldOp SourceBuff ByteIndex NameString
CreateQWordFieldOp  := 0x8F

DefCreateWordField  := CreateWordFieldOp SourceBuff ByteIndex NameString
CreateWordFieldOp   := 0x8B

DefDataRegion      := DataRegionOp NameString TermArg TermArg TermArg
DataRegionOp       := ExtOpPrefix 0x88

DefDevice           := DeviceOp PkgLength NameString ObjectList
DeviceOp           := ExtOpPrefix 0x82

DefEvent            := EventOp NameString
EventOp            := ExtOpPrefix 0x02

DefField            := FieldOp PkgLength NameString FieldFlags FieldList
FieldOp            := ExtOpPrefix 0x81

DefIndexField       := IndexFieldOp PkgLength NameString NameString FieldFlags FieldList
IndexFieldOp       := ExtOpPrefix 0x86

```

```

DefMethod      := MethodOp PkgLength NameString MethodFlags TermList
MethodOp      := 0x14
MethodFlags   := ByteData
                // bit 0-2:   ArgCount (0-7)
                // bit 3:     SerializeFlag
                //             0   NotSerialized
                //             1   Serialized
                // bit 4-7:   SyncLevel (0x00-0x0f)

DefMutex      := MutexOp NameString SyncFlags
MutexOp      := ExtOpPrefix 0x01
SyncFlags    := ByteData
                // bit 0-3:   SyncLevel (0x00-0x0f)
                // bit 4-7:   Reserved (must be 0)

DefOpRegion   := OpRegionOp NameString RegionSpace RegionOffset RegionLen
OpRegionOp   := ExtOpPrefix 0x80
RegionSpace  := ByteData
                // 0x00      SystemMemory
                // 0x01      SystemIO
                // 0x02      PCI_Config
                // 0x03      EmbeddedControl
                // 0x04      SMBus
                // 0x05      CMOS
                // 0x06      PciBarTarget
                // 0x07      IPMI
                // 0x80-0xFF: User Defined

RegionOffset := TermArg => Integer
RegionLen    := TermArg => Integer

DefPowerRes   := PowerResOp PkgLength NameString SystemLevel ResourceOrder
                ObjectList
PowerResOp   := ExtOpPrefix 0x84
SystemLevel  := ByteData
ResourceOrder := WordData

DefProcessor  := ProcessorOp PkgLength NameString ProcID PblkAddr PblkLen
                ObjectList
ProcessorOp  := ExtOpPrefix 0x83
ProcID      := ByteData
PblkAddr    := DWordData
PblkLen     := ByteData

DefThermalZone := ThermalZoneOp PkgLength NameString ObjectList
ThermalZoneOp := ExtOpPrefix 0x85

```

### 19.2.5.3 Type 1 Opcodes Encoding

```

Type1Opcode := DefBreak | DefBreakPoint | DefContinue | DefFatal | DefIfElse |
                DefLoad | DefNoop | DefNotify | DefRelease | DefReset | DefReturn
                | DefSignal | DefSleep | DefStall | DefUnload | DefWhile

DefBreak      := BreakOp
BreakOp      := 0xA5

DefBreakPoint := BreakPointOp
BreakPointOp := 0xCC

DefContinue   := ContinueOp
ContinueOp    := 0x9F

DefElse       := Nothing | <ElseOp PkgLength TermList>
ElseOp       := 0xA1

DefFatal      := FatalOp FatalType FatalCode FatalArg
FatalOp      := ExtOpPrefix 0x32
FatalType    := ByteData
FatalCode    := DWordData
FatalArg     := TermArg => Integer

DefIfElse     := IfOp PkgLength Predicate TermList DefElse
IfOp         := 0xA0

```

```

Predicate          := TermArg => Integer

DefLoad            := LoadOp NameString DDBHandleObject
LoadOp            := ExtOpPrefix 0xA0
DDBHandleObject   := SuperName

DefNoop           := NoopOp
NoopOp            := 0xA3

DefNotify         := NotifyOp NotifyObject NotifyValue
NotifyOp          := 0xA6
NotifyObject      := SuperName => ThermalZone | Processor | Device
NotifyValue       := TermArg => Integer

DefRelease        := ReleaseOp MutexObject
ReleaseOp         := ExtOpPrefix 0xA7
MutexObject       := SuperName

DefReset          := ResetOp EventObject
ResetOp           := ExtOpPrefix 0xA6
EventObject       := SuperName

DefReturn         := ReturnOp ArgObject
ReturnOp          := 0xA4
ArgObject         := TermArg => DataRefObject

DefSignal         := SignalOp EventObject
SignalOp          := ExtOpPrefix 0xA4

DefSleep          := SleepOp MsecTime
SleepOp           := ExtOpPrefix 0xA2
MsecTime         := TermArg => Integer

DefStall          := StallOp UsecTime
StallOp           := ExtOpPrefix 0xA1
UsecTime         := TermArg => ByteData

DefUnload         := UnloadOp DDBHandleObject
UnloadOp          := ExtOpPrefix 0xA2

DefWhile          := WhileOp PkgLength Predicate TermList
WhileOp           := 0xA2

```

### 19.2.5.4 Type 2 Opcodes Encoding

```

Type20opcode      := DefAcquire | DefAdd | DefAnd | DefBuffer | DefConcat |
                   DefConcatRes | DefCondRefOf | DefCopyObject | DefDecrement |
                   DefDerefOf | DefDivide | DefFindSetLeftBit | DefFindSetRightBit |
                   DefFromBCD | DefIncrement | DefIndex | DefLAnd | DefLEqual |
                   DefLGreater | DefLGreaterEqual | DefLLess | DefLLessEqual | DefMid
                   | DefLNot | DefLNotEqual | DefLoadTable | DefLor | DefMatch |
                   DefMod | DefMultiply | DefNand | DefNor | DefNot | DefObjectType |
                   DefOr | DefPackage | DefVarPackage | DefRefOf | DefShiftLeft |
                   DefShiftRight | DefSizeOf | DefStore | DefSubtract | DefTimer |
                   DefToBCD | DefToBuffer | DefToDecimalString | DefToHexString |
                   DefToInteger | DefToString | DefWait | DefXor | UserTermObj

Type60opcode      := DefRefOf | DefDerefOf | DefIndex | UserTermObj

DefAcquire        := AcquireOp MutexObject Timeout
AcquireOp         := ExtOpPrefix 0xA3
Timeout           := WordData

DefAdd            := AddOp Operand Operand Target
AddOp             := 0xA7
Operand           := TermArg => Integer

DefAnd            := AndOp Operand Operand Target
AndOp             := 0xA7

```

## 662 Advanced Configuration and Power Interface Specification

```
DefBuffer          := BufferOp PkgLength BufferSize ByteList
BufferOp          := 0x11
BufferSize        := TermArg => Integer

DefConcat         := ConcatOp Data Data Target
ConcatOp          := 0x73
Data              := TermArg => ComputationalData

DefConcatRes      := ConcatResOp BufData BufData Target
ConcatResOp       := 0x84
BufData           := TermArg => Buffer

DefCondRefOf      := CondRefOfOp SuperName Target
CondRefOfOp       := ExtOpPrefix 0x12

DefCopyObject     := CopyObjectOp TermArg SimpleName
CopyObjectOp      := 0x9D

DefDecrement      := DecrementOp SuperName
DecrementOp       := 0x76

DefDerefOf        := DerefOfOp ObjReference
DerefOfOp         := 0x83
ObjReference      := TermArg => ObjectReference | String

DefDivide         := DivideOp Dividend Divisor Remainder Quotient
DivideOp          := 0x78
Dividend          := TermArg => Integer
Divisor           := TermArg => Integer
Remainder         := Target
Quotient          := Target

DefFindSetLeftBit := FindSetLeftBitOp Operand Target
FindSetLeftBitOp := 0x81

DefFindSetRightBit := FindSetRightBitOp Operand Target
FindSetRightBitOp := 0x82

DefFromBCD        := FromBCDOp BCDValue Target
FromBCDOp         := ExtOpPrefix 0x28
BCDValue          := TermArg => Integer

DefIncrement      := IncrementOp SuperName
IncrementOp       := 0x75

DefIndex          := IndexOp BuffPkgStrObj IndexValue Target
IndexOp           := 0x88
BuffPkgStrObj     := TermArg => Buffer, Package or String
IndexValue        := TermArg => Integer

DefLAnd           := LandOp Operand Operand
LandOp            := 0x90

DefLEqual         := LequalOp Operand Operand
LequalOp          := 0x93

DefLGreater       := LgreaterOp Operand Operand
LgreaterOp        := 0x94

DefLGreaterEqual  := LgreaterEqualOp Operand Operand
LgreaterEqualOp   := LnotOp LlessOp

DefLLess          := LlessOp Operand Operand
LlessOp           := 0x95

DefLLessEqual     := LlessEqualOp Operand Operand
LlessEqualOp      := LnotOp LgreaterOp

DefLNot           := LnotOp Operand
LnotOp            := 0x92
```

```

DefLNotEqual      := LnotEqualOp Operand Operand
LnotEqualOp      := LnotOp LequalOp

DefLoadTable     := LoadTableOp TermArg TermArg TermArg TermArg TermArg TermArg
LoadTableOp      := ExtOpPrefix 0x1F

DefLor           := LorOp Operand Operand
LorOp            := 0x91

DefMatch         := MatchOp SearchPkg MatchOpcode Operand MatchOpcode Operand
                  StartIndex
MatchOp          := 0x89
SearchPkg       := TermArg => Package
MatchOpcode     := ByteData                // 0   MTR
                                                    // 1   MEQ
                                                    // 2   MLE
                                                    // 3   MLT
                                                    // 4   MGE
                                                    // 5   MGT

StartIndex      := TermArg => Integer

DefMid           := MidOp MidObj TermArg TermArg Target
MidOp           := 0x9E
MidObj          := TermArg => Buffer | String

DefMod          := ModOp Dividend Divisor Target
ModOp           := 0x85

DefMultiply     := MultiplyOp Operand Operand Target
MultiplyOp      := 0x77

DefNand         := NandOp Operand Operand Target
NandOp          := 0x7C

DefNor         := NorOp Operand Operand Target
NorOp           := 0x7E

DefNot          := NotOp Operand Target
NotOp           := 0x80

DefObjectType   := ObjectTypeOp SuperName
ObjectTypeOp    := 0x8E

DefOr           := OrOp Operand Operand Target
OrOp            := 0x7D

DefPackage      := PackageOp PkgLength NumElements PackageElementList
PackageOp       := 0x12
DefVarPackage   := VarPackageOp PkgLength VarNumElements PackageElementList
VarPackageOp    := 0x13
NumElements     := ByteData
VarNumElements  := TermArg => Integer
PackageElementList := Nothing | <PackageElement PackageElementList>
PackageElement  := DataRefObject | NameString

DefRefOf        := RefOfOp SuperName
RefOfOp         := 0x71

DefShiftLeft    := ShiftLeftOp Operand ShiftCount Target
ShiftLeftOp     := 0x79
ShiftCount      := TermArg => Integer

DefShiftRight   := ShiftRightOp Operand ShiftCount Target
ShiftRightOp    := 0x7A

DefSizeOf       := SizeOfOp SuperName
SizeOfOp        := 0x87

DefStore        := StoreOp TermArg SuperName
StoreOp         := 0x70

```

```

DefSubtract      := SubtractOp Operand Operand Target
SubtractOp       := 0x74

DefTimer         := TimerOp
TimerOp          := 0x5B 0x33

DefToBCD        := ToBCDOp Operand Target
ToBCDOp         := ExtOpPrefix 0x29

DefToBuffer     := ToBufferOp Operand Target
ToBufferOp      := 0x96

DefToDecimalString := ToDecimalStringOp Operand Target
ToDecimalStringOp := 0x97

DefToHexString  := ToHexStringOp Operand Target
ToHexStringOp   := 0x98

DefToInteger    := ToIntegerOp Operand Target
ToIntegerOp     := 0x99

DefToString     := ToStringOp TermArg LengthArg Target
LengthArg       := TermArg => Integer
ToStringOp      := 0x9C

DefWait         := WaitOp EventObject Operand
WaitOp          := ExtOpPrefix 0x25

DefXor          := XorOp Operand Operand Target
XorOp           := 0x7F

```

## 19.2.6 Miscellaneous Objects Encoding

Miscellaneous objects include:

- Arg objects
- Local objects
- Debug objects

### 19.2.6.1 Arg Objects Encoding

```

ArgObj          := Arg0Op | Arg1Op | Arg2Op | Arg3Op | Arg4Op | Arg5Op | Arg6Op
Arg0Op          := 0x68
Arg1Op          := 0x69
Arg2Op          := 0x6A
Arg3Op          := 0x6B
Arg4Op          := 0x6C
Arg5Op          := 0x6D
Arg6Op          := 0x6E

```

### 19.2.6.2 Local Objects Encoding

```

LocalObj        := Local0Op | Local1Op | Local2Op | Local3Op | Local4Op | Local5Op |
                  Local6Op | Local7Op
Local0Op        := 0x60
Local1Op        := 0x61
Local2Op        := 0x62
Local3Op        := 0x63
Local4Op        := 0x64
Local5Op        := 0x65
Local6Op        := 0x66
Local7Op        := 0x67

```

### 19.2.6.3 Debug Objects Encoding

```

DebugObj        := DebugOp
DebugOp         := ExtOpPrefix 0x31

```



### 19.3 AML Byte Stream Byte Values

The following table lists all the byte values that can be found in an AML byte stream and the meaning of each byte value. This table is useful for debugging AML code.

**Table 19-2 AML Byte Stream Byte Values**

Encoding Value	Encoding Name	Encoding Group	Fixed List Arguments	Variable List Arguments
0x00	ZeroOp	Data Object	—	—
0x01	OneOp	Data Object	—	—
0x02-0x05	—	—	—	—
0x06	AliasOp	Term Object	NameString NameString	—
0x07	—	—	—	—
0x08	NameOp	Term Object	NameString DataRefObject	—
0x09	—	—	—	—
0x0A	BytePrefix	Data Object	ByteData	—
0x0B	WordPrefix	Data Object	WordData	—
0x0C	DWordPrefix	Data Object	DWordData	—
0x0D	StringPrefix	Data Object	AsciiCharList NullChar	—
0x0E	QWordPrefix	Data Object	QWordData	—
0x0F	—	—	—	—
0x10	ScopeOp	Term Object	NameString	TermList
0x11	BufferOp	Term Object	TermArg	ByteList
0x12	PackageOp	Term Object	ByteData	Package TermList
0x13	VarPackageOp	Term Object	TermArg	Package TermList
0x14	MethodOp	Term Object	NameString ByteData	TermList
0x15-0x2D	—	—	—	—
0x2E (‘.’)	DualNamePrefix	Name Object	NameSeg NameSeg	—
0x2F (‘/’)	MultiNamePrefix	Name Object	ByteData NameSeg(N)	—
0x30-0x40	—	—	—	—
0x41-0x5A (‘A’-‘Z’)	NameChar	Name Object	—	—
0x5B (‘[’)	ExtOpPrefix	—	ByteData	—
0x5B 0x01	MutexOp	Term Object	NameString ByteData	—
0x5B 0x02	EventOp	Term Object	NameString	—
0x5B 0x12	CondRefOfOp	Term Object	SuperName SuperName	—
0x5B 0x13	CreateFieldOp	Term Object	TermArg TermArg TermArg NameString	—
0x5B 0x1F	LoadTableOp	Term Object	TermArg TermArg TermArg TermArg TermArg TermArg	—
0x5B 0x20	LoadOp	Term Object	NameString SuperName	—
0x5B 0x21	StallOp	Term Object	TermArg	—

Table 19-2 AML Byte Stream Byte Values

Encoding Value	Encoding Name	Encoding Group	Fixed List Arguments	Variable List Arguments
0x5B 0x22	SleepOp	Term Object	TermArg	—
0x5B 0x23	AcquireOp	Term Object	SuperName WordData	—
0x5B 0x24	SignalOp	Term Object	SuperName	—
0x5B 0x25	WaitOp	Term Object	SuperName TermArg	—
0x5B 0x26	ResetOp	Term Object	SuperName	—
0x5B 0x27	ReleaseOp	Term Object	SuperName	—
0x5B 0x28	FromBCDOP	Term Object	TermArg Target	—
0x5B 0x29	ToBCD	Term Object	TermArg Target	—
0x5B 0x2A	UnloadOp	Term Object	SuperName	—
0x5B 0x30	RevisionOp	Data Object	—	—
0x5B 0x31	DebugOp	Debug Object	—	—
0x5B 0x32	FatalOp	Term Object	ByteData DWordData TermArg	—
0x5B 0x33	TimerOp	Term Object	—	—
0x5B 0x80	OpRegionOp	Term Object	NameString ByteData TermArg TermArg	—
0x5B 0x81	FieldOp	Term Object	NameString ByteData	FieldList
0x5B 0x82	DeviceOp	Term Object	NameString	ObjectList
0x5B 0x83	ProcessorOp	Term Object	NameString ByteData DWordData ByteData	ObjectList
0x5B 0x84	PowerResOp	Term Object	NameString ByteData WordData	ObjectList
0x5B 0x85	ThermalZoneOp	Term Object	NameString	ObjectList
0x5B 0x86	IndexFieldOp	Term Object	NameString NameString ByteData	FieldList
0x5B 0x87	BankFieldOp	Term Object	NameString NameString TermArg ByteData	FieldList
0x5B 0x88	DataRegionOp	Term Object	NameString TermArg TermArg TermArg	—
0x5C ('\')	RootChar	Name Object	—	—
0x5D	—	—	—	—
0x5E (^)	ParentPrefixChar	Name Object	—	—
0x5F('_')	NameChar—	Name Object	—	—
0x60 (``)	Local0Op	Local Object	—	—
0x61 ('a')	Local1Op	Local Object	—	—
0x62 ('b')	Local2Op	Local Object	—	—
0x63 ('c')	Local3Op	Local Object	—	—
0x64 ('d')	Local4Op	Local Object	—	—
0x65 ('e')	Local5Op	Local Object	—	—

Table 19-2 AML Byte Stream Byte Values

Encoding Value	Encoding Name	Encoding Group	Fixed List Arguments	Variable List Arguments
0x66 ('f')	Local6Op	Local Object	—	—
0x67 ('g')	Local7Op	Local Object	—	—
0x68 ('h')	Arg0Op	Arg Object	—	—
0x69 ('i')	Arg1Op	Arg Object	—	—
0x6A ('j')	Arg2Op	Arg Object	—	—
0x6B ('k')	Arg3Op	Arg Object	—	—
0x6C ('l')	Arg4Op	Arg Object	—	—
0x6D ('m')	Arg5Op	Arg Object	—	—
0x6E ('n')	Arg6Op	Arg Object	—	—
0x6F	—	—	—	—
0x70	StoreOp	Term Object	TermArg SuperName	—
0x71	RefOfOp	Term Object	SuperName	—
0x72	AddOp	Term Object	TermArg TermArg Target	—
0x73	ConcatOp	Term Object	TermArg TermArg Target	—
0x74	SubtractOp	Term Object	TermArg TermArg Target	—
0x75	IncrementOp	Term Object	SuperName	—
0x76	DecrementOp	Term Object	SuperName	—
0x77	MultiplyOp	Term Object	TermArg TermArg Target	—
0x78	DivideOp	Term Object	TermArg TermArg Target Target	—
0x79	ShiftLeftOp	Term Object	TermArg TermArg Target	—
0x7A	ShiftRightOp	Term Object	TermArg TermArg Target	—
0x7B	AndOp	Term Object	TermArg TermArg Target	—
0x7C	NandOp	Term Object	TermArg TermArg Target	—
0x7D	OrOp	Term Object	TermArg TermArg Target	—
0x7E	NorOp	Term Object	TermArg TermArg Target	—
0x7F	XorOp	Term Object	TermArg TermArg Target	—
0x80	NotOp	Term Object	TermArg Target	—
0x81	FindSetLeftBitOp	Term Object	TermArg Target	—
0x82	FindSetRightBitOp	Term Object	TermArg Target	—
0x83	DerefOfOp	Term Object	TermArg	—
0x84	ConcatResOp	Term Object	TermArg TermArg Target	—
0x85	ModOp	Term Object	TermArg TermArg Target	—
0x86	NotifyOp	Term Object	SuperName TermArg	—
0x87	SizeOfOp	Term Object	SuperName	—
0x88	IndexOp	Term Object	TermArg TermArg Target	—
0x89	MatchOp	Term Object	TermArg ByteData TermArg	—

Table 19-2 AML Byte Stream Byte Values

Encoding Value	Encoding Name	Encoding Group	Fixed List Arguments	Variable List Arguments
			ByteData TermArg TermArg	
0x8A	CreateDWordFieldOp	Term Object	TermArg TermArg NameString	—
0x8B	CreateWordFieldOp	Term Object	TermArg TermArg NameString	—
0x8C	CreateByteFieldOp	Term Object	TermArg TermArg NameString	—
0x8D	CreateBitFieldOp	Term Object	TermArg TermArg NameString	—
0x8E	ObjectTypeOp	Term Object	SuperName	—
0x8F	CreateQWordFieldOp	Term Object	TermArg TermArg NameString	—
0x90	LandOp	Term Object	TermArg TermArg	—
0x91	LorOp	Term Object	TermArg TermArg	—
0x92	LnotOp	Term Object	TermArg	—
0x92 0x93	LNotEqualOp	Term Object	TermArg TermArg	—
0x92 0x94	LLessEqualOp	Term Object	TermArg TermArg	—
0x92 0x95	LGreaterEqualOp	Term Object	TermArg TermArg	—
0x93	LEqualOp	Term Object	TermArg TermArg	—
0x94	LGreaterOp	Term Object	TermArg TermArg	—
0x95	LLessOp	Term Object	TermArg TermArg	—
0x96	ToBufferOp	Term Object	TermArg Target	—
0x97	ToDecimalStringOp	Term Object	TermArg Target	—
0x98	ToHexStringOp	Term Object	TermArg Target	—
0x99	ToIntegerOp	Term Object	TermArg Target	—
0x9A-0x9B	—	—	—	—
0x9C	ToStringOp	Term Object	TermArg TermArg Target	—
0x9D	CopyObjectOp	Term Object	TermArg SimpleName	—
0x9E	MidOp	Term Object	TermArg TermArg TermArg Target	—
0x9F	ContinueOp	Term Object	—	—
0xA0	IfOp	Term Object	TermArg	TermList
0xA1	ElseOp	Term Object	—	TermList
0xA2	WhileOp	Term Object	TermArg	TermList
0xA3	NoopOp	Term Object	—	—
0xA4	ReturnOp	Term Object	TermArg	—
0xA5	BreakOp	Term Object	—	—
0xA6-0xCB	—	—	—	—
0xCC	BreakPointOp	Term Object	—	—
0xCD-0xFE	—	—	—	—
0xFF	OnesOp	Data Object	—	—

## 19.4 AML Encoding of Names in the Namespace

Assume the following namespace exists:

```

\
  S0
    MEM
      SET
      GET
  S1
    MEM
      SET
      GET
    CPU
      SET
      GET

```

Assume further that a definition block is loaded that creates a node \S0.CPU.SET, and loads a block using it as a root. Assume the loaded block contains the following names:

```

STP1
^GET
^^PCI0
^^PCI0.SBS
\S2
\S2.ISA.COM1
^^S3
^^S2.MEM
^^S2.MEM.SET
Scope(\S0.CPU.SET.STP1) {
  XYZ
  ^ABC
  ^ABC.DEF
}

```

This will be encoded in AML as:

```

'STP1'
ParentPrefixChar 'GET_'
ParentPrefixChar ParentPrefixChar 'PCI0'
ParentPrefixChar ParentPrefixChar DualNamePrefix 'PCI0' 'SBS_'
RootChar 'S2__'
RootChar MultiNamePrefix 3 'S2__' 'ISA_' 'COM1'
ParentPrefixChar ParentPrefixChar ParentPrefixChar 'S3__'
ParentPrefixChar ParentPrefixChar ParentPrefixChar DualNamePrefix 'S2__' 'MEM_'
ParentPrefixChar ParentPrefixChar ParentPrefixChar MultiNamePrefix 3 'S2__' 'MEM_'
'SET_'

```

## 670 Advanced Configuration and Power Interface Specification

After the block is loaded, the namespace will look like this (names added to the namespace by the loading operation are shown in bold):

```
\
S0
  MEM
    SET
    GET
  CPU
    SET
      STP1
      XYZ
    ABC
    DEF
  GET
  PCI0
  SBS
S1
  MEM
    SET
    GET
  CPU
    SET
    GET
S2
  ISA
  COM1
  MEM
  SET
S3
```

## APPENDIX A: Device Class Specifications

### A Device Class PM Specifications

This section defines the behavior of devices as that behavior relates to power management and, specifically, to the four device power states defined by ACPI. The goal is enabling device vendors to design power-manageable products that meet the basic needs of OSPM and can be utilized by any ACPI-compatible operating system.

#### A.1 Overview

The power management of individual devices is the responsibility of a *policy owner* in the operating system. This software element will implement a power management policy that is appropriate for the type (or *class*) of device being managed. Device power management policy typically operates in conjunction with a global system power policy implemented in the operating system.

In general, the device-class power management policy strives to reduce power consumption while the system is working by transitioning among various available power states according to device usage. The challenge facing policy owners is to minimize power consumption without adversely impacting the system's usability. This balanced approach provides the user with both power savings and good performance.

Because the policy owner has very specific knowledge about when a device is in use or potentially in use, there is no need for hardware timers or such to determine when to make these transitions. Similarly, this level of understanding of device usage makes it possible to use fewer device power states. Generally, intermediate states attempt to draw a compromise between latency and consumption because of the uncertainty of actual device usage. With the increased knowledge in the OS, good decisions can be made about whether the device is needed at all. With this ability to turn devices off more frequently, the benefit of having intermediate states diminishes.

The policy owner also determines what class-specific events can cause the system to transition from sleeping to working states, and enables this functionality based on application or user requests. Notice that the definition of the wake events that each class supports will influence the system's global power policy in terms of the level of power management a system sleeping state can attain while still meeting wake latency requirements set by applications or the user.

#### A.2 Device Power States

The following definitions apply to devices of all classes:

- **D0.** State in which device is on and running. It is receiving full power from the system and is delivering full functionality to the user.
- **D1.** Class-specific low-power state (defined in the following section) in which device context may or may not be lost. Buses in D1 cannot do anything to the bus that would force devices on that bus to lose context.
- **D2.** Class-specific low-power state (defined in the following section) in which device context may or may not be lost. Attains greater power savings than D1. Buses in D2 can cause devices on that bus to lose some context (for example, the bus reduces power supplied to the bus). Devices in D2 must be prepared for the bus to be in D2 or higher.
- **D3.** State in which device is off and not running. Device context is lost. Power can be removed from the device.

Device power-state transitions are typically invoked through bus-specific mechanisms (for example, ATA Standby, USB Suspend, and so on). In some cases, bus-specific mechanisms are not available and device-specific mechanisms must be used. Notice that the explicit command for entering the D3 state might be the removal of power.

It is the responsibility of the policy owner (or other software) to restore any lost device context when returning to the D0 state.

### A.2.1 Bus Power Management

Policy owners for bus devices (for example, PCI, USB, Small Computer System Interface [SCSI]) have the additional responsibility of tracking the power states of all devices on the bus and for transitioning the bus itself to only those power states that are consistent with those of its devices. This means that the bus state can be no lower than the highest state of one of its devices. However, enabled wake events can affect this as well. For example, if a particular device is in the D2 state and set to wake the system and the bus can only forward wake requests while in the D1 state, then the bus must remain in the D1 state even if all devices are in a lower state.

Below are summaries of relevant bus power management specifications with references to the sources.

### A.2.2 Display Power Management

Refer to the *Display Power Management Signaling Specification (DPMS)*, available from:

Video Electronics Standards Association (VESA)  
2150 North First Street  
Suite 440  
San Jose, CA 95131-2029

A DPMS-compliant video controller and DPMS-compliant monitor use the horizontal and vertical sync signals to control the power mode of the monitor. There are 4 modes of operation: normal, standby, suspend and off. DPMS-compliant video controllers toggle the sync lines on or off to select the power mode.

### A.2.3 PCMCIA/PCCARD/CardBus Power Management

Refer to the PCMCIA (Personal Computer Memory Card International Association) Web site, at <http://www.pcmcia.org>.

PCMCIA and PCCARD devices do not have device power states defined. The only power states available are on and off, controlled by the host bus controller. The CardBus specification is a superset of the PCCARD specification, incorporating the power management specification for PCI bus. Power management capabilities query, state transition commands and wake event reporting are identical.

### A.2.4 PCI Power Management

Refer to the PCI Special Interest Group (PCISIG) Web site, at <http://www.pcisig.com/>.

- **PCI Bus Power Management Capabilities Query.** PCI Bus device capabilities are reported via the optional Capabilities List registers, which are accessed via the Cap\_Ptr.
- **PCI Bus Power Management State Transition Commands.** PCI Bus device power states are controlled and queried via the standard Power Management Status/Control Register (PMCSR).
- **PCI Bus Wakeup Event Reporting.** PCI wake events are reported on the optional PME# signal, with setting of the Wake\_Int bit in the PMCSR. Wake event reporting is controlled by the Wake\_En bit in the PMCSR register.

### A.2.5 USB Power Management

Refer to the Universal Serial Bus Implementers Forum (USB-IF ) Web site, at <http://www.usb.org/>.

- **USB Power Management Capabilities Query.** USB device capabilities are reported to the USB Host via the standard Power Descriptors. These address power consumption, latency time, wake support, and battery support and status notification.
- **USB Power Management State Transition Commands.** USB device power states are controlled by the USB Host via the standard SET\_FEATURE command. USB device power states are queried via the standard USB GET\_STATUS command.



- **USB Wakeup Event Reporting.** USB wake event reporting is controlled using the SET\_FEATURE command, with value DEVICE\_REMOTE\_WAKEUP. USB wake events are reported by sending remote wake resume signaling.

## A.2.6 Device Classes

Below is a list of the class-specific device power management definitions available in this specification. Notice that there exists a default device class definition that applies to all devices, even if there is a separate, class-specific section that adds additional requirements.

- **Audio Device Class.** Applies to audio devices.
- **COM Port Device Class.** Applies to COM ports devices.
- **Display Device Class.** Applies to CRT monitors, LCD panels, and video controllers for those devices.
- **Input Device Class.** Applies to standard types of input devices such as keyboards, keypads, mice, pointing devices, joysticks, and game pads, plus new types of input devices such as virtual reality devices.
- **Modem Device Class.** Applies to modem and modem-like (for example, ISDN terminal adapters) devices.
- **Network Device Class.** Applies specifically to Ethernet and token ring adapters. ATM and ISDN adapters are not supported by this specification.
- **PC Card Controller Device Class.** Applies to PC Card controllers and slots.
- **Storage Device Class.** Applies specifically to ATA hard disks, floppy disks, ATAPI and SCSI CD-ROMs, and the IDE channel.

## A.3 Default Device Class

The requirements expressed in this section apply to all devices, even if there is a separate, class-specific power management definition that identifies additional requirements.

### A.3.1 Default Power State Definitions

State	Definition
D0	Device is on and running. It is receiving full power from the system, and is delivering full functionality to the user.
D1	This state is not defined and not used by the default device class.
D2	This state is not defined and not used by the default device class.
D3	Device is off and not running. Device context is assumed lost, and there is no need for any of it to be preserved in hardware. This state should consume the minimum power possible. Its only requirement is to recognize a bus-specific command to re-enter D0. Power can be removed from the device while in D3. If power is removed, the device will receive a bus-specific hardware reset upon reapplication of power, and should initialize itself as in a normal power on.

### A.3.2 Default Power Management Policy

Present State	Next State	Cause
D0	D3	Device determined by the OS to not be needed by any applications or the user. System enters a sleeping state.
D3	D0	Device determined by the OS to be needed by some application or the user.

### A.3.3 Default Wake Events

There are no default wake events, because knowledge of the device is implicit in servicing such events. Devices can expose wake capabilities to OSPM, and device-specific software can enable these, but there is no generic application-level or OS-wide support for undefined wake events.

### A.3.4 Minimum Power Capabilities

All devices must support the D0 and D3 states. Functionality available in D0 must be available after returning to D0 from D3 without requiring a system reboot or any user intervention. This requirement applies whether or not power is removed from the device during D3.

## A.4 Audio Device Class

The requirements expressed in this section apply to audio devices.

### A.4.1 Power State Definitions

State	Status	Definition
D0	<i>Required</i>	Power is on. Device is operating.
D1	<i>Optional</i>	Power consumption is less than D0 state. Device must be able to transition between D0 and D1 states within 100 ms. No audio samples may be lost by entering and leaving this state.
D2	<i>Required</i>	Power consumption is less than D0 state. Device must be able to transition between D0 and D2 states within 100 ms. Audio samples may be lost by entering and leaving this state.
D3	<i>Required</i>	The device is completely off or drawing minimal power. For example, a stereo will be off, but a light-emitting diode (LED) may be on and the stereo may be listening to IR commands.

If a device is in the D1 or D2 state it must resume within 100 ms. A device in the D3 state may take as long as it needs to power up. It is the responsibility of the policy owner to advertise to the system how long a device requires to power up.

All audio devices must be capable of D0, D2 and D3 states. It is desirable that an audio device be capable of D1 state. The difference between D1 and D2 is that a device capable of D1 can maintain complete state information in reduced power mode. The policy owner or other software must save all states for D2-capable devices. Some audio samples may be lost in transitioning into and out of the D2 state.

Notice that the D1 state was added to allow digital signal processor (DSP)-equipped audio hardware to exploit low-power modes in the DSP. For example, a DSP may be used to implement Dolby AC-3 Decode. When paused it stops playing audio, but the DSP may contain thousands of bytes worth of state information. If the DSP supports a low-power state, it can shut down and later resume from exactly the audio sample where it paused without losing state information.

### A.4.2 Power Management Policy

For the purpose of the following state transition policy, the following device-specific operational states are defined:

- **Playing.** Audio is playing.
- **Recording:**
  - **Foreground.** Normal application is recording. Recording is considered foreground unless specifically designated low priority.

- **Background.** Speech recognition or speech activity detection is running. Recording may be preempted by foreground recording or playing. Any audio recording may be designated as background.
- **Full Duplex.** Device is simultaneously playing and recording.
- **Paused.** File handle is open. Only devices that are playing, foreground recording or in full duplex operation may be paused. Background recording may not be paused. State is static and never lost. The paused state assumes that a device must transition to the resumed state rapidly. Playing or recording must be resumed within 100 ms. No audio samples may be lost between the device is paused and later resumed.
- **Closed.** No file handle is open.

Present State	Next State	Cause
D3	D0	Audio device moves from closed to open state or paused when the device receives the resume command.
D0	D1	Audio device receives pause command. If device is D1 capable, this state is preferred. If not, the device driver will preserve context, and the device will be set to D2.
D2/D1	D0	Audio device receives a resume command.
D0	D2	Audio device is closed. Audio inactivity timer started.
D2	D3	Audio inactivity timer expires.
D0	D3	Audio device is in background record mode and receives power-down command.

When an audio device is in the D0 state it will refuse system requests to transition to D3 state unless it is in background record mode. When an audio device is paused (D1 or D2) and it receives a request to transition to the D3 state, it will save the state of the audio device and transition to the D3 state.

Since multimedia applications often open and close audio files in rapid succession, it is recommended that an inactivity timer be employed by the policy owner to prevent needless shutdowns (D3 transitions) of the audio hardware. For example, frequent power cycling may damage audio devices powered by vacuum tubes.

### A.4.3 Wake Events

An audio device may be a wake device. For example, a USB microphone designed for security applications might use the USB wake mechanism to signal an alarm condition.

### A.4.4 Minimum Power Capabilities

All audio devices must be capable of D0, D2 and D3 power states. If the device is capable of maintaining context while in a low-power state it should advertise support for D1. Transitional latency for the D2 or D3 states must be less than 100 ms. There are no latency restrictions for D3 transitions, but the policy owner should advertise the amount of time required.

## A.5 COM Port Device Class

The requirements expressed in this section apply to Universal Asynchronous Receiver/Transmitters (UARTs) such as the common NS16550 buffered serial port and equivalents.

The two required states for any power-managed COM Port are full on (D0) and full off (D3). This in turn requires that the COM port hardware be power-manageable by ACPI control methods for COM ports that are on system boards, or by standard bus power management controls for COM ports that are on add-in cards (for example, PCI). Because of this, ISA-based COM port add-in cards will not be able to meet this requirement, and therefore cannot be compliant with this specification.

### A.5.1 Power State Definitions

State	Status	Definition
D0	<i>Required</i>	Line drivers are on. UART context is preserved.
D1	<i>N/A</i>	This state is not defined for COM Ports. Use the D3 state instead.
D2	<i>N/A</i>	This state is not defined for COM Ports. Use the D3 state instead.
D3	<i>Required</i>	Line drivers are off (unpowered; outputs isolated from devices attached to the port). UART context is lost. Latency to return to D0 is less than 1 second.

### A.5.2 Power Management Policy

Present State	Next State	Cause
D3	D0	Power-on reset COM port opened by an application
D0	D3	COM port closed System enters sleeping state while wake is disabled on this device. System enters sleeping state while wake is enabled on this device and the device is capable of generating wake to the system from state D3.

### A.5.3 Wake Events

If the COM port is capable of generating wake events, asserting the “ring indicator” line (V.24 circuit 125) will cause the COM port to assert a wake event. There are two common mechanisms that may be employed (either one or both) for performing machine wake using COM ports.

The first provides a solution that is capable of waking the PC whether the UART is powered (D0) or not (D3). Here, the “ring indicator” line (from V.24 circuit 125) is commonly connected directly to the system wake device in addition to being connected to the UART. While this implementation is normative for COM ports located on system motherboards (see the ACPI specification), it could also be done by add-in cards with COM ports that reside on buses supporting system wake from devices in D3 (for example, PME# signal on PCI).

The second mechanism requires that the UART be powered (D0) to use the UART’s interrupt output pin to generate the wake event instead. When using this method, the OS COM port policy owner or power management control methods are expected to configure the UART. Although any UART interrupt source (for example, ‘data ready’) could theoretically be used to wake the system, these methods are beyond the scope of this document.

### A.5.4 Minimum Power Capabilities

A COM port conforming to this specification must support the D0 and D3 states.

## A.6 Display Device Class

The requirements expressed in this section apply to all devices engaged in the display of program content, which includes full screen display devices, display controllers, and graphics adapters. This class does not include video capture devices unless they are children of the graphics adapter. This class does not include edge displays or hardware indicators for device states.

While saving power from the display and adapter are primary goals of Display Device Class power management definitions, the definitions are also intended to ensure that the user perceives the system as "off" during system sleeping states, as required above. When the system enters a lower power state, the screen must go black so the user knows the system is idle. This is important because devices that cannot actually save power (standard televisions, for example) can still support the user notice of system idle by going black.

## A.6.1 Power State Definitions

### A.6.1.1 CRT Monitors (not including other full screen displays)

State	Status	Definition
D0	<i>Required</i>	This state is equivalent to the "On" state defined in the VESA DPMS specification (see Related Documents) and is signaled to the display using the DPMS method. Display is fully on Video image is active
D1	<i>Optional</i>	This state is equivalent to the "Standby" state defined in the VESA DPMS and is signaled to the display using the DPMS method. Display is functional but may be conserving energy Video image is blank Latency to return to D0 must be less than 5 seconds
D2	<i>Required</i>	This state is equivalent to the "Suspend" state defined in the VESA DPMS specification and is signaled to the display using the DPMS method. Display is functional and conserving energy Video image is blank Latency to return to D0 is less than 10 seconds
D3	<i>Required</i>	This state is equivalent to the "Off" state defined in the VESA DPMS specification and is signaled to the display using the DPMS method. Display is non-functional Video image is blank

CRT Monitors are a special case in power management. On the one hand, they support a common defined method (DPMS) for changing power states. On the other hand, that procedure and the CRT support is extremely slow and out of keeping with other faster power control methods used by other forms of display. This definition should not preclude the use of faster and more effective methods of transitioning the CRT if they are available and known to the controller. DPMS is not recommended as solution for new display devices in the future.

### A.6.1.2 Internal Flat Panel Devices

State	Status	Definition
D0	<i>Required</i>	This state is equivalent to the “On” state for a DPMS device, but is signaled to the panel by the correct application of power and/or controller specific signaling. Display is fully on Backlight (if present) is fully on(subject to performance state requirements – see below) Video image is active
D1	<i>Optional</i>	This state is not required to be physically different than a D3 state if the device is able to meet the resume requirement and the driver is able to restore state. Display retains internal state but may be conserving energy Backlight(if present) is fully off Video image is blank Latency to return to D0 must be less than 500 milliseconds
D2	<i>Optional</i>	This state is not required to be physically different than a D3 state if the device is able to meet the resume requirement and the driver is able to restore state. Display retains state but is conserving energy Backlight (if present) is fully off; Video image is blank Latency to return to D0 is less than 500 milliseconds
D3	<i>Required</i>	This state is equivalent to the “Off” state defined in the VESA DPMS specification. It is signaled by the removal of power or possibly by controller-specific signaling. Display is non-functional Backlight (if present) is fully off. Video image is blank Latency to return to D0 is less than 500 milliseconds

Internal flat panels (also known as local flat panels or sometimes as LCDs) do not normally support or require DPMS signaling to change power states. Instead, controllers capable of managing such panels tend to provide vendor-specific methods to control internal flat panels, often involving special sequencing of power signals to the panel. Some may be managed only by the application or removal of power.

Backlight control for power management states is likewise controller and even platform specific. Note that on-off backlight control for power management states is often unrelated to backlight intensity or brightness control that is used while in the D0 state.

The 500 milliseconds is only to allow some existing hardware to function . The target for new devices should be 100 milliseconds.

### A.6.1.3 DVI Displays (Digital Flat Panels and DVI Monitors)

State	Status	Definition
D0	<i>Required</i>	This state is equivalent to the “On” state for a DPMS device, but is signaled to the display by the correct application of power and/or controller specific signaling. Display is fully on Video image is active
D1	<i>Optional</i>	This state is not required to be physically different than a D3 state if the device is able to meet the resume requirement and the driver is able to restore state. It is signaled by the removal of display output and time expiring. The physical state entered is no different than D2. Display retains internal state but may be conserving energy Video image is blank Latency to return to D0 must be less than 250 milliseconds
D2	<i>Optional</i>	This state is not required to be physically different than a D3 state if the device is able to meet the resume requirement and the driver is able to restore state. It is signaled by the removal of display output and time expiring. The physical state entered is no different than D1. Display retains state but is conserving energy Video image is blank Latency to return to D0 is less than 250 milliseconds
D3	<i>Required</i>	This state is equivalent to the “Off” state defined in the VESA DPMS specification. It is signaled by the removal of display output and time expiring Display is non-functional Video image is blank Latency to return to D0 is less than 250 milliseconds

Although 250 milliseconds is shown here because not all devices in this group are fast now, the target resume for a new device should be 100 milliseconds.

**A.6.1.4 Standard TV Devices (and Analog HDTVs)**

<b>State</b>	<b>Status</b>	<b>Definition</b>
D0	<i>Required</i>	This state is equivalent to the “On” state for a DPMS device. Display is fully on Video image is active
D1	<i>Optional</i>	Video image is blank Latency to return to D0 must be less than 100 milliseconds
D2	<i>Optional</i>	Video image is blank Latency to return to D0 must be less than 100 milliseconds
D3	<i>Required</i>	This state is not equivalent to the “Off” state defined in the VESA DPMS specification because not power is actually saved. Video image is blank Latency to return to D0 is less than 100 milliseconds



### A.6.1.5 Other (new) Full Screen Devices

Some devices not specifically defined here already exist, such as projectors that emulate CRTs or HDTVs. Others may be coming. It is important for any device used for full screen display to support power transitions and power management states, but the primary requirement for the method should be low overhead.

State	Status	Definition
D0	<i>Required</i>	This state is equivalent to the “On” state for a DPMS device, but is signaled to the panel by the correct application of power and/or device specific signaling known to the controller. Display is fully on Video image is active
D1	<i>Optional</i>	This state is not required to be physically different than a D3 state if the device is able to meet the resume requirement and the driver is able to restore state. It is signaled to the panel by the correct application of power and/or device specific signaling known to the controller. Display retains internal state but may be conserving energy Video image is blank Latency to return to D0 must be less than 100 milliseconds
D2	<i>Optional</i>	This state is not required to be physically different than a D3 state if the device is able to meet the resume requirement and the driver is able to restore state. It is signaled to the panel by the correct application of power and/or device specific signaling known to the controller. Display retains state but is conserving energy Video image is blank Latency to return to D0 is less than 100 milliseconds
D3	<i>Required</i>	This state is equivalent to the “Off” state defined in the VESA DPMS specification. It is signaled by the removal of display output and/or device specific methods known to the controller. Display is non-functional Video image is blank Latency to return to D0 is less than 250 milliseconds

Although 250 milliseconds is shown here because not all devices in this group are fast now, the target resume for a new device should be 100 milliseconds.

### A.6.1.6 Video Controllers (Graphics Adapters)

State	Status	Definition
D0	<i>Required</i>	Back-end is on Video controller context is preserved Video memory contents are preserved
D1	<i>Optional</i>	Back-end is off, except for CRT control signaling (DPMS) Video controller context is preserved Video memory contents is preserved Latency to return to D0 is less than 100 milliseconds
D2	<i>Optional</i>	Back-end is off, except for CRT control signaling (DPMS) Video controller context is lost Video memory contents is lost Latency to return to D0 is less than 200 milliseconds
D3	<i>Required</i>	Back-end is off Video controller context is lost (power removed) Video memory contents is lost (power removed) Latency to return to D0 is less than 200 milliseconds

### A.6.1.7 Display Codecs

Like the displays they control, display codecs are children of the adapter and cannot be in a higher state than the adapter or a lower state than the displays they control. It is generally not helpful to deal with codecs entirely separately from the adapter or the displays they control. While it may vary from device to device, a codec will either be safely powered down when its display is powered down or it may require power as long as the adapter receives power.

## A.6.2 Power Management Policy for the Display Class

Present State	Next State	Cause
D0	D1	User inactivity for a period of time ( $T1$ )
D1	D2	User inactivity for a period of time ( $T2 > T1$ )
D2	D3	User inactivity for a period of time ( $T3 > T2$ )
D1/D2/D3	D0	User activity or application UI change (for example, dialog pop-up)

These state transition definitions apply to both the full screen display and the video controller. However, the control of the two devices is independent, except that a video controller will never be put into a lower power state than its full screen display. Also, while full screen displays can transition directly from D1 to D3 or from D2 to D3, the adapters require a transition to D0 from D1 or D2 before entering D3.

Transitions for the video controller are commanded via the bus-specific control mechanism for device states. Monitor/LCD transitions are commanded by signaling from the video controller and are only generated as a result of explicit commands from the policy-owner. Full screen display power control is functionally independent from any other interface the monitor may provide (such as USB). For instance, Hubs and HID devices in the monitor enclosure may be power-managed by their driver over the USB bus,

but the Monitor/LCD device itself may not; it must be power-managed from the video controller using the methods above.

### **A.6.3 Wake Events**

Display devices incorporating a system power switch should generate a wake event when the switch is pressed while the system is sleeping.

### **A.6.4 Minimum Power Capabilities**

A CRT monitor conforming to this specification must support the D0, D2, and D3 states. Other full screen displays only need to support D0 and D3. Support for the D1 state is optional in all cases. Transitional latencies for the D1 or D2 state must meet the requirements above.

A video controller conforming to this specification must support the D0 and D3 states. Support for the D1 and D2 states is optional. Transitional latencies for the D1 must be less than 100 milliseconds while D2 and D3 must transition to D0 in less than 200 milliseconds.

### **A.6.5 Performance States for Display Class Devices**

Performance states for display devices and adapters have one clear difference from defined power management states. There is no display in any power management state higher than D0. However, performance states are all applied within D0, which means they save power while continuing to display. Not all display class devices will support performance states, but in all cases, they must allow continued display where they exist.

#### **A.6.5.1 Common Requirements for Display Class Performance States**

The definition of each state (up the line toward the OSPM) must include maximum latency information on transitions into the state and transitions out of the state. (For states other than DPS1, it may be necessary to indicate whether the latency is the time from DPS0 to DPSx or only from DPSx-1 to DPSx.)

Each state has to have a relative weight indicator or a relative power savings indicator (i.e., it can make a difference in OSPM policies whether DPS1 saves 2% power and DPS2 save 75% power even if latency is longer.)

While ASL NameSpace structures may provide some of this information, it is recommended that display class performance states be entered and exited by driver and not by control method wherever possible.

#### **A.6.5.2 Performance states for Full Screen Displays**

##### **A.6.5.2.1 CRT Performance States**

Some CRTs (in theory) have the capability for "reduced on" -- a mode which displays but uses less power than full performance. Even without this capability, a CRT may be able to use reduced refresh or other methods to reduce the total power of displaying.

##### **A.6.5.2.2 Internal Flat Panel**

In general, panels consume a fixed amount of power. However, some panels are also capable of supporting reduced refresh. More important, the amount of backlight brightness is a major factor in system power. This clearly needs to be coordinated with direct ASL control methods for brightness and with ambient light sensing when present. However, a performance state may be achieved by offsetting the brightness value computed by other methods, either by a fixed amount or a fixed percentage.

### **A.6.5.2.3 DVI Full Screen Devices**

DVI Devices are normally capable of frequency control and may be able to benefit by frequency control. However, because of sensitivity to signal loss, DVI devices may have limitations on other types of performance control.

### **A.6.5.2.4 Standard TV and Analog HDTVs**

Standard TV and Analog HDTVs do not appear capable of performance states. Codecs controlling them may be capable of power saving, however.

### **A.6.5.2.5 New Devices**

The ability to reduce power while continuing to display will be increasingly important.

### **A.6.5.3 Performance States for Video Controllers/Display Adapters**

Adapters are somewhat limited during performance states because they have to continue to support display on one or more full screen devices. However, they can still do a number of things to support performance states, including

- Changes to basic display and render capabilities, including speed or frequency range supported.
- Feature/Capability/Quality Control – limiting specific hardware features, limiting refresh rates, limiting resolutions.

The limiting factor on what can be supported may sometimes be in the OSPM. If the OSPM support dynamic changes in these features during a performance state change (even if no other time), more opportunities arise.

Once again, the latency on transitions and the power saved by specific states have to be made available to the OSPM in order to use these options effectively.

## A.7 Input Device Class

The requirements expressed in this section apply to standard types of input devices such as keyboards, keypads, mice, pointing devices, joysticks, game pads, to devices that combine these kinds of input functionality (composite devices, and so on), and to new types of input devices such as virtual reality devices, simulation devices, and so on.

### A.7.1 Power State Definitions

State	Status	Definition
D0	<i>Required</i>	Device is receiving full power from its power source, delivering full functionality to the user, and preserving applicable context and state information.
D1	<i>Optional</i>	Input device power consumption is greatly reduced. In general, device is in a power management state and is not delivering any functionality to the user except wake functionality if applicable. Device status, state, or other information indicators (for example, LEDs, LCD displays, and so on) are turned off to save power. The following device context and state information should be preserved by the policy owner or other software: <b>Keyboard.</b> Num, caps, scroll lock states (and Compose and Kana states if applicable) and associated LED/indicator states, repeat delay, and repeat rate. <b>Joystick.</b> Forced feedback effects (if applicable). <b>Any input device.</b> All context and state information that cannot be preserved by the device when it's conserving power.
D2	<i>N/A</i>	This state is not defined for input devices, use D1 as the power management state instead.
D3	<i>Required</i>	Input device is off and not running. In general, the device is not delivering any functionality to the user except wake functionality if applicable. Device context and state information is lost.

### A.7.2 Power Management Policy

Present State	Next State	Cause
D3	D0	Requested by the system
D0	D1/D3*	Requested by the system (for example, system goes to sleep with wake enabled)
D0/D1	D3	Requested by the system (for example, system goes to sleep with wake disabled) Power is removed
D1/D3	D0	Device with enabled wake capability requests transition by generating a wake event Requested by the system

\*Depends on capability of device (if it features D1 or D3 wake capability or not); device will be put in state with the lowest possible power consumption.

### A.7.3 Wake Events

It is recommended, but not required, that input devices implement and support bus-specific wake mechanisms if these are defined for their bus type. This is recommended because a user typically uses an input device of some kind to wake the system when it is in a power management state (for example, when the system is sleeping).

The actual input data (particular button or key pressed) that's associated with a wake event should never be discarded by the device itself, but should always be passed along to the policy owner or other software for further interpretation. This software implements a policy for how this input data should be interpreted, and decides what should be passed along to higher-level software, and so on.

It is recommended that the device button(s) or key(s) used for power management purposes are clearly labeled with text and/or icons. This is recommended for keyboards and other input devices on which all buttons or keys are typically labeled with text and/or icons that identify their usage.

For example, a keyboard could include a special-purpose power management button (for example, "Power") that, when pressed during a system sleeping state, generates a wake event. Alternatively, the button(s) on mice and other pointing devices could be used to trigger a wake event.

Examples of more advanced wake events include keyboard wake signaling when any key is pressed, mouse wake signaling on detection of X/Y motion, joystick wake signaling on X/Y motion, and so on. However, in order to avoid accidental or unintentional wake of the system, and to give the user some control over which input events will result in a system wake, it's suggested that more advanced types of wake events are implemented as features that can be turned on or off by the user (for example, as part of the OSPM user interface).

### A.7.4 Minimum Power Capabilities

An input device conforming to this specification must support the D0 and D3 states. Support for the D1 state is optional.

## A.8 Modem Device Class

The requirements expressed in this section apply to modems and similar devices, such as USB controlled ISDN Terminal Adapters ("digital modems") and computer-connected telephone devices ("CT phones"). This specification will refer to these devices as "modems; the same considerations apply to digital modems and CT phones unless explicitly stated otherwise.

The scope of this section is further restricted to modems that support power management using methods defined by the relevant PC-modem connection bus. These include PCI, USB, PCCARD (PCMCIA), CardBus, and modems on the system motherboard described by ACPI BIOS control methods. The scope does not include bus-specific means for devices to alert the host PC (for example, how to deliver a "ringing" message), nor does it address how those alerting operations are controlled.

### A.8.1 Technology Overview

Modems are traditionally serial devices, but today modems may be attached to a PC by many different means. Further, many new modems expose a software serial interface, where the modem controller function is implemented in software. This specification addresses three different connection types:

- Traditional connections without power-managed connections (for example, COM, LPT, ISA)
- Power managed connections (for example, PCCARD, CardBus, PCI, USB)
- Motherboard modems

For some of the above modem connection types mentioned, there are three different modem architectures possible:

- Traditional modem (DAA, DSP, and controller in hardware)
- Controller-less design (DAA and DSP in hardware)
- "Soft modem" design (DAA and CODEC only in hardware)

The hardware components of the modem shall be controlled by the relevant bus commands, where applicable (USB, PCI, CardBus). The software components are dependent on the power state of the CPU.

### A.8.1.1 Traditional Connections

In older methods (COM, LPT, ISA) the modem is controlled primarily by serialized ASCII command strings (for example, V.25ter) and traditional V.24 (RS-232) out-of-band leads. In these legacy devices, there are no common means for power management other than the power switch for the device, or the entire system unit.

An external modem connected to a COM port or LPT port typically has its own power supply. An LPT port modem might run from the current on the LPT port +5V supply. For COM or LPT port modems, power is typically controlled by a user switch.

The most common modem type is an ISA card with an embedded COM port. From a software standpoint, they are logically identical to external modems, but the modems are powered by the PC system unit. Power is drawn from the ISA bus without independent power switching.

### A.8.1.2 Power-Managed Connections

PCMCIA, PCCARD and CardBus slots are powered and power-managed by the system, using means defined in the relevant bus specifications. For PCMCIA and PCCARD devices, only D0 and D3 states are available, via Socket Services in the OS and/or ACPI BIOS. CardBus adds intermediate states, using the same mechanisms defined for PCI Bus.

PCI bus slots are powered and power-managed by the system, using means defined in the PCI specification.

USB devices may be powered by the USB itself (100mA or 500mA), or have their own external power supply. All USB devices are power-managed by the USB bus master, using means defined in the USB specification.

### A.8.1.3 Motherboard Modems

A modem embedded in the motherboard is powered by controls on the motherboard. It should be power-managed by using control methods exposed via ACPI BIOS tables.

## A.8.2 Power State Definitions

State	Status	Definition
D0	<i>Required</i>	Phone interface is on (may be on or off hook) Speaker is on Controller Context is preserved
D1	<i>N/A</i>	Not defined (do not use)
D2	<i>Optional</i>	Phone interface is not powered by the host (on hook) Speaker is off Controller context is preserved 2 seconds maximum restore time
D3	<i>Required</i>	Phone interface is not powered by host (on hook) Speaker is off Controller context may be lost 5 seconds maximum restore time

### A.8.3 Power Management Policy

Present State	Next State	Cause
D2/D3	D0	System issues a bus command to enter the D0 state (for example, an application is answering or originating a call).
D0	D2	System issues a bus command to enter the D2 state. (for example, an application is listening for an incoming call).
D0	D3	System issues a bus command to enter the D3 state (for example, all applications have closed the Modem device).

### A.8.4 Wake Events

For any type of modem device, wake events (if supported and enabled) are only generated in response to detected “ringing” from an incoming call. All other events associated with modems (V.8bis messages, and so on) require that the PC be in the “working” state to capture them. The methods and signals used to generate the wake may vary as a function of the modem connection (bus) type and modem architecture.

Machine wake is allowed from any modem power state (D0, D2, and D3), and is accomplished by methods described in the appropriate bus power management specification (PCI, USB, PCCARD), or by ACPI system board control methods (for Modem on Motherboard implementations).

If the specific modem implementation or connection type does not enable it to assert system wake signaling, these modems will not be able to wake the machine. The OS modem policy owner will have to retain the PC in the “working” state to perform *all* types of event detection (including ringing).

### A.8.5 Minimum Power Capabilities

A modem or similar device conforming to this specification must support the D0 and D3 states. Support of the D2 state is optional.



## A.9 Network Device Class

The requirements expressed in this section apply to Ethernet and token ring adapters. ATM and ISDN adapters are not supported by this specification.

### A.9.1 Power State Definitions

For the purpose of the following state definitions “no bus transmission” means that transmit requests from the host processor are not honored, and “no bus reception” means that received data are not transferred to host memory.

State	Status	Definition
D0	<i>Required</i>	Device is on and running and is delivering full functionality and performance to the user Device is fully compliant with the requirements of the attached network
D1	<i>Optional</i>	No bus transmission allowed No bus reception allowed No interrupts can occur Device context may be lost
D2	<i>Optional</i>	No bus transmission allowed No bus reception allowed No interrupts can occur Device context may be lost
D3	<i>Required</i>	Device context is assumed to be lost No bus transmission allowed No bus reception allowed No interrupts can occur

This document does not specify maximum power and maximum latency requirements for the sleeping states because these numbers are very different for different network technologies. The device must meet the requirements of the bus that it attaches to.

Although the descriptions of states D1 and D2 are the same, the choice of whether to implement D1 or D2 or both may depend on bus services required, power requirements, or time required to restore the physical layer. For example, a device designed for a particular bus might include state D1 because it needs a bus service such as a bus clock to support Magic Packet™ wake, and that service is available in the bus device’s D1 power state but not in D2. Also, a device might include both state D1 and state D2 to provide a choice between lower power and lower latency.

## A.9.2 Power Management Policy

Present State	Next State	Cause
D0	Dx	System enters sleep state. If wake is enabled, Dx is the lowest power state (for example, D1, D2, D3) from which the network device supports system wake. An appropriate time-out has elapsed after a “link down” condition was detected. Dx is the lowest power state in which the network device can detect “link up.”
D0	D3	System initiated network shutdown. System enters sleep state and wake is either not enabled or the network device is capable of waking from D3.
D1/D2/D3	D0	System wake (transition to S0), including a wake caused by a network wake event.

## A.9.3 Wake Events

Network wake events are generally the result of either a change in the *link status* or the reception of a *wake frame* from the network.

### A.9.3.1 Link Status Events

Link status wake events are useful to indicate a change in the network’s availability, particularly when this change may impact the level at which the system should re-enter the sleeping state. For example, a transition from “link off” to “link on” may trigger the system to re-enter sleep at a higher level (for example, S2 versus S3) so that wake frames can be detected. Conversely, a transition from “link on” to “link off” may trigger the system to re-enter sleep at a deeper level (for example, S3 versus S2) since the network is not currently available. The network device should implement an internal delay to avoid unnecessary transitions when the link status toggles on or off momentarily.

### A.9.3.2 Wake Frame Events

Wake frame events are used to wake the system whenever *meaningful* data is presented to the system over the network. Examples of meaningful data include the reception of a Magic Packet™, a management request from a remote administrator, or simply network traffic directly targeted to the local system. In all of these cases the network device was pre-programmed by the policy owner or other software with information on how to identify wake frames from other network traffic. The details of how this information is passed between software and network device depend on the OS and therefore are not described in this specification.

## A.9.4 Minimum Power Capabilities

A network device conforming to this specification must support the D0 and D3 states. Support for the D1 and D2 states is optional.

## A.10 PC Card Controller Device Class

The requirements expressed in this section apply to PC Card controller devices and the PC Card slots.

Power management of *PC Cards* is not defined by this specification. PC Card power management is defined by the relevant power management specification for the card’s device class (for example, network, modem, and so on), in conjunction with the PC Card standard (for 16-bit cards) or the PCI Power Management Specification (for CardBus cards).

### A.10.1 Power State Definitions

State	Status	Definition
D0	<i>Required</i>	<p>Card status change interrupts are fully functional.</p> <p>Card functional interrupts are fully functional.</p> <p>Controller context (for example, memory, I/O windows) is fully functional.</p> <p>Controller interface is fully functional (processor can access cards).</p> <p>Power to cards (slots) is available (may be on or off under software control).</p> <p>The controller is at its highest power consumption level.</p> <p>Bus command response time is at its fastest level.</p> <p>PC Cards can be in any Dx power state (D0-D3).</p> <p><b>Note:</b> In D0 state, CSTSCHG interrupts can be passed to a system from a powered down PC Card (for more detail, refer to section 5.2.11.2 of PC Card Standard, Electrical Specification).</p>
D1	<i>Optional</i>	<p>Card status change interrupts are disabled. CSTSCHG interrupt events are still detectable by the controller and cause the bus-specific wake signal to be asserted if wake is enabled on the controller.</p> <p>Card functional interrupts are disabled.</p> <p>Controller context is preserved (all register contents must be maintained but memory and I/O windows need not be functional).</p> <p>Controller interface is non-functional (processor cannot access cards).</p> <p>Power to cards (slots) is available (may be on or off; retains power setting it had at time of entry to D1).</p> <p>Power-level consumption for the controller is high but less than D0.</p> <p>The time required to restore the function from the D1 state to the D0 state is quicker than resumption from D3.</p> <p>Bus command response time is equal to or slower than in D0.</p> <p>PC Cards can be in the D1, D2, or D3 power states (not D0).</p> <p><b>Note:</b> In D1 state, CSTSCHG interrupts can be passed to a system from a powered-down PC Card (for more detail, refer to section 5.2.11.2 of PC Card Standard, Electrical Specification).</p>
D2	<i>Optional</i>	Functionally the same as D1 (may be implemented instead of D1 in order to allow bus and/or system to enter a lower-power state).
D3	<i>Required</i>	<p>Card status change interrupt: Disabled and need not be detected.</p> <p>Card functional interrupt: Disabled and need not be detected.</p> <p>Controller context (for example, memory, I/O windows): Lost.</p> <p>Controller interface: Non-functional (processor can not access cards).</p> <p>Clock to controller: Off.</p> <p>Power to cards (slots): Off (card context lost).</p> <p><b>Note:</b> If Vcc is removed (for example, PCI Bus B3) while the device is in the D3 state, a bus-specific reset (for example, PCI RST#) must be asserted when power is restored and functions will then return to the D0 state with a full power-on reset sequence. Whenever the transition from D3 to D0 is initiated through assertion of a bus-specific reset, the power-on defaults will be restored to the function by hardware just as at initial power up. The function must then be fully initialized and reconfigured by software.</p>

### A.10.2 Power Management Policy

The PC Card controller is a bus controller. As such, its power state is dependent on the devices plugged into the bus (child devices). OSPM will track the state of all devices on the bus and will put the bus into the best possible power state based on the current device requirements on that bus. For example, if the PC Card cards are all in the D1 state, OSPM will put the PC Card controller in the D1 state.

Present State	Next State	Cause
D2/D3	D0	Any card in any slot needing to transition to state D0 due to a wake event or because of system usage.
D0	D1	No card in any slot is in state D0.
D0	D2	No card in any slot is in state D0 or D1.
D0	D3	All cards in all slots are in state D3.

### A.10.3 Wake Events

A wake event is any event that would normally assert the controller's status change interrupt (for example, card insertion, card battery state change, card ReqAttn event, and so on) or ring-indicate signal.

### A.10.4 Minimum Power Capabilities

A PC Card controller device conforming to this specification must support the D0 and D3 states. Support for the D1 or D2 states is optional.

## A.11 Storage Device Class

The requirements expressed in this section apply to ATA hard disks, floppy disks, ATAPI and SCSI CD-ROMs, and the IDE channel.

### A.11.1 Power State Definitions

#### A.11.1.1 Hard Disk, CD-ROM and IDE/ATAPI Removable Storage Devices

State	Status	Definition
D0	<i>Required</i>	Drive controller (for example, interface and control electronics) is functional. Interface mode context (for example, communications timings) is programmed.
D1	<i>Optional</i>	Drive controller (for example, interface and control electronics) is functional. Interface mode context (for example, communications timings) is preserved. Drive motor (for example, spindle) is stopped, with fast-start mode enabled, if available. Laser (if any) is off. Recommended latency to return to D0 is less than 5 seconds. Power consumption in D1 should be no more than 80% of power consumed in D0. <b>Note:</b> For ATA devices, this state is invoked by the Standby Immediate command.
D2	<i>N/A</i>	This state is not defined for storage devices.
D3	<i>Required</i>	Drive controller (for example, interface and control electronics) is not functional; context is lost. Interface mode (for example, communications timings) is not preserved. Drive motor (for example, spindle) is stopped. Laser (if any) is off. Power consumption in D3 is no more than 10% of power consumed in D0. <b>Note:</b> For ATA devices, this state is invoked by the “sleep” command.

#### A.11.1.2 Floppy Disk Devices

State	Status	Definition
D0	<i>Required</i>	Drive controller (for example, interface and control electronics) is functional. Drive motor (for example, spindle) is turning.
D1	<i>N/A</i>	This state is not defined for floppy disk drives.
D2	<i>N/A</i>	This state is not defined for floppy disk drives.
D3	<i>Required</i>	Drive controller (for example, interface and control electronics) is not functional; context is lost. Drive motor (for example, spindle) is stopped.

### A.11.1.3 IDE Channel Devices

State	Status	Definition
D0	<i>Required</i>	Adapter is functional. Adapter interface mode (for example, communications timings) is programmed. Power is applied to the bus (and all devices connected to it).
D1	<i>N/A</i>	This state is not defined for the IDE Channel.
D2	<i>N/A</i>	This state is not defined for the IDE Channel.
D3	<i>Required</i>	Adapter is non-functional. Adapter interface mode (for example, communications timings) is not preserved. Power to the bus (and all devices connected to it) may be off.

### A.11.2 Power Management Policy

#### A.11.2.1 Hard Disk, Floppy Disk, CD-ROM and IDE/ATAPI Removable Storage Devices

Present State	Next State	Cause
D3	D0	Device usage (high-priority I/O).
D0	D1*	Device inactivity (no high-priority I/O) for some period of time (T1).
D0	D3	Device inactivity (no high-priority I/O) for a period of time (T2=>T1). System enters sleeping state.
D1*	D0	Device usage (High-priority I/O).

\* If supported. **Note:** For ATA, the D3-to-D0 transition requires a reset of the IDE channel. This means that both devices on a channel must be placed into D3 at the same time.

#### A.11.2.2 IDE Channel Devices

Present State	Next State	Cause
D3	D0	Any device on the channel needing to transition to a state other than state D3.
D0	D3	All devices on the channel in state D3.

### A.11.3 Wake Events

Storage devices with removable media can, optionally, signal wake upon insertion of media using their bus-specific notification mechanism. There are no other wake events defined for Storage devices.

### A.11.4 Minimum Power Capabilities

A hard disk, CD-ROM or IDE/ATAPI removable storage device conforming to this specification must support the D0 and D3 states. Support for the D1 state is optional.

A floppy disk and IDE channel device conforming to this specification must support the D0 and D3 states.

## APPENDIX B: Video Extensions

### B ACPI Extensions for Display Adapters

#### B.1 Introduction

This section of the document describes a number of specialized ACPI methods to support motherboard graphics devices.

In many cases, system manufacturers need to add special support to handle multiple output devices such as panels and TV-out capabilities, as well as special power management features. This is particularly true for notebook manufacturers. The methods described here have been designed to enable interaction between the system BIOS, video driver, and OS to smoothly support these features.

Systems containing a built-in display adapter are required to implement the ACPI Extensions for Display Adapters.

**Table B-1 Video Extension Object Requirements**

Method	Description	Requirement
_DOS	Enable/Disable output switching	Required if system supports display switching or LCD brightness levels
_DOD	Enumerate all devices attached to display adapter	Required if integrated controller supports output switching
_ROM	Get ROM Data	Required if ROM image is stored in proprietary format
_GPD	Get POST Device	Required if _VPO is implemented
_SPD	Set POST Device	Required if _VPO is implemented
_VPO	Video POST Options	Required if system supports changing post VGA device
_ADR	Return the unique ID for this device	Required
_BCL	Query list of brightness control levels supported	Required if embedded LCD supports brightness control
_BCM	Set the brightness level	Required if _BCL is implemented
_DDC	Return the EDID for this device	Required if embedded LCD does not support return of EDID via standard interface
_DCS	Return status of output device	Required if the system supports display switching (via hotkey)
_DGS	Query graphics state	Required if the system supports display switching (via hotkey)
_DSS	Device state set	Required if the system supports display switching (via hotkey).

## B.2 Definitions

- **Built-in display adapter.** This is a graphics chip that is built into the motherboard and cannot be replaced. ACPI information is valid for such built-in devices.
- **Add-in display adapter.** This is a graphics chip or board that can be added to or removed from the computer. Because the system BIOS cannot have specific knowledge of add-in boards, ACPI information is not available for add-in devices.
- **Boot-up display adapter.** This is the display adapter programmed by the system BIOS during machine power-on self-test (POST). It is the device upon which the machine will show the initial operating system boot screen, as well as any system BIOS messages.
- The system can change the boot-up display adapter, and it can switch between the built-in adapter and the add-in adapter.
- **Display device.** This is a synonym for the term display adapter discussed above.
- **Output device.** This is a device, which is a recipient of the output of a display device. For example, a CRT or a TV is an output device.

## B.3 ACPI Namespace

This is an example of the display-related namespace on an ACPI system:

```
GPE // ACPI General-purpose HW event
_L0x // Notify(VGA, 0x80) to tell OSPM of the event, when user presses
// the hot key to switch the output status of the monitor.
// Notify(VGA, 0x81) to tell the event to OSPM, when there are any
// changes on the sub-devices for the VGA controller

SB
|- PCI
  |- VGA // Define the VGA controller in the namespace
    |- _PS0 / PRO
    |- _PS1 / PR1
    |- _PS3
    |- _DOS // Method to control display output switching
    |- _DOD // Method to retrieve information about child output devices
    |- _ROM // Method to retrieve the ROM image for this device
    |- _GPD // Method for determining which VGA device will post
    |- _SPD // Method for controlling which VGA device will post
    |- _VPO // Method for determining the post options
    |- CRT // Child device CRT
      |- _ADR // Hardware ID for this device
      |- _DDC // Get EDID information from the monitor device
      |- _DCS // Get current hardware status
      |- _DGS // Query desired hardware active \ inactive state
      |- _DSS // Set hardware active \ inactive state
      |- _PS0 \
      |- _PS1 - Power methods
      |- _PS2 - for the output device
      |- _PS3 /
    |- LCD // Child device LCD
      |- _ADR // Hardware ID for this device
      |- _DDC // Get EDID information from the monitor device
      |- _DCS // Get current hardware status
      |- _DGS // Query desired hardware active \ inactive state
      |- _DSS // Set hardware active \ inactive state
      |- _BCL // Brightness control levels
      |- _BCM // Brightness control method
      |- _BQC // Brightness Query Current Level
      |- _PS0 \
      |- _PS1 - Power methods
      |- _PS2 - for the output device
      |- _PS3 /
    |- TV // Child Device TV
      |- _ADR // Hardware ID for this device
      |- _DDC // Get EDID information from the monitor device
      |- _DCS // Get current hardware status
      |- _DGS // Query desired hardware active \ inactive state
      |- _DSS // Set hardware active \ inactive state
```



The LCD device represents the built-in output device. Mobile PCs will always have a built-in LCD display, but desktop systems that have a built-in graphics adapter generally don't have a built-in output device.

## B.4 Display-specific Methods

The methods described in this section are all associated with specific display devices. This device-specific association is represented in the namespace example in the previous section by the positioning of these methods in a device tree.

### B.4.1 \_DOS (Enable/Disable Output Switching)

Many ACPI machines currently reprogram the active display output automatically when the user presses the display toggle switch on the keyboard. This is done because most video device drivers are currently not capable of being notified synchronously of such state changes. However, this behavior violates the ACPI specification, because the system modifies some graphics device registers.

The existence of the \_DOS method indicates that the system BIOS is capable of automatically switching the active display output or controlling the brightness of the LCD. If it exists at all, the \_DOS method must be present for all display output devices. This method is required if the system supports display switching or LCD brightness control.

#### Arguments: (1)

Arg0 – An **Integer** containing the encoded switching controls (see below)

#### Return Value:

None

#### Additional Argument Information:

##### Bits 1:0

- 0 – The system BIOS should not automatically switch (toggle) the active display output, but instead just save the desired state change for the display output devices in variables associated with each display output, and generate the display switch event. OSPM can query these state changes by calling the \_DGS method.
- 1 – The system BIOS should automatically switch (toggle) the active display output, with no interaction required on the OS part. The display switch event should not be generated in this case.
- 2 – The \_DGS values should be locked. It's highly recommended that the system BIOS do nothing when hotkey pressed. No switch, no notification.
- 3 – The system BIOS should not automatically switch (toggle) the active display output, but instead generate the display switch event notify codes 0x82, 0x83, or 0x84. OSPM will determine what display output state should be set, and change the display output state without further involvement from the system BIOS.

##### Bit 2

- 0 – The system BIOS should automatically control the brightness level of the LCD when the power changes from AC to DC.
- 1 – The system BIOS should not automatically control the brightness level of the LCD when the power changes from AC to DC.

The \_DOS method controls this automatic switching behavior. This method should do so by saving the parameter passed to this method in a global variable somewhere in the BIOS data segment. The system BIOS then checks the value of this variable when doing display switching. This method is also used to control the generation of the display switching **Notify**(VGA, 0x80/0x81).

The system BIOS, when doing switching of the active display, must verify the state of the variable set by the \_DOS method. The default value of this variable must be 1.

## B.4.2 \_DOD (Enumerate All Devices Attached to the Display Adapter)

This method is used to enumerate devices attached to the display adapter. This method is required if integrated controller supports output switching.

On many laptops today, a number of devices can be connected to the graphics adapter in the machine. These devices are on the motherboard and generally are not directly enumerable by the video driver; for this reason, all motherboard VGA attached devices are listed in the ACPI namespace.

These devices fall into two categories:

- **Video output devices.** For example, a machine with a single display device on the motherboard can have three possible output devices attached to it, such as a TV, a CRT, or a panel.
- **Non-video output devices.** For example, TV Tuner, DVD decoder, Video Capture. They just attach to VGA and their power management closely relates to VGA.

Both ACPI and the video driver have the ability to program and configure output devices. This means that both ACPI and the video driver must enumerate the devices using the same IDs. To solve this problem, the \_DOD method returns a list of devices attached to the graphics adapter, along with device-specific configuration information. This information will allow the cooperation between ACPI components and the video driver.

Every child device enumerated in the ACPI namespace under the graphics adapter must be specified in this list of devices. Each display device must have its own ID, which is unique with respect to any other attachable devices enumerated.

### Arguments:

None

### Return Value:

A **Package** containing a variable-length list of **Integers**, each of which contains the 32-bit device attribute of a child device (See table B-2)

### Example:

```
Method (_DOD, 0) {
    Return (
        Package()
        {
            0x00000110, // Primary LCD panel, not detectable by BIOS
            0x80000100, // CRT type display, not detectable by BIOS
            0x80000220, // TV type display, not detectable by the BIOS
            0x80000411, // Secondary LCD panel, not detectable by BIOS
        }
    )
}
```

**Table B-2: Video Output Device Attributes**

Bits	Definition
15:0	<b>Device ID.</b> The device ID must match the ID's specified by Video Chip Vendors. They must also be unique under VGA namespace.
	Bit 3:0 <b>Display Index</b> A zero-based instance of the Display, when multiple displays of the same type are attached, regardless of where it is associated. Starting from the first adapter and its first display of the type on the first integrated internal device and then incrementing per device-function according to its relative port number.
	Bit 7:4 <b>Display Port Attachment</b> This field differentiates displays of the same type attached at different points of one adapter. The zero-based number scheme is specific to each Video Chip Vendors' implementation.
	Bit 11:8 <b>Display Type</b> Describes the specific type of Display Technology in use. 0 – Other 1 – VGA* CRT or VESA* Compatible Analog Monitor 2 – TV/HDTV or other Analog-Video Monitor 3 – External Digital Monitor (See Note 1.) 4 – Internal/Integrated Digital Flat Panel (See Note 2.) 5~15 – Reserved for future use
	Bit 15:12      Chipset Vendor Specific.
16	BIOS can detect the device.
17	Non-VGA output device whose power is related to the VGA device. This can be used when specifying devices like TV Tuner, DVD decoder, Video Capture ... etc.
20:18	For VGA multiple-head devices, this specifies head or pipe ID e.g. for Dual-Pipe*, Dual-Display*, Duo-View*, TwinView*, Triple-View* ... etc, beginning with 0 for head 0 or single-head device and increasing for each additional head.
30:21	<i>Reserved (must be 0)</i>
31	<b>Device ID Scheme</b> 1 – Uses the bit-field definitions above (bits 15:0) 0 – Other scheme, contact the Video Chip Vendor

As mentioned in the above table, a “Pipe” or “Head” refers to a unique display content stream e.g. at a particular color-depth, resolution, and refresh-rate. The “Port” refers to the display output device attachment and may include a DAC, encoder or other mechanism required to support a given display end-point. The “Display Type” describes the generalized class of display output technology, and the means of integration. The “Display Index” is then an index that assists in creating a unique identifier display end-points in scenarios where other attributes are the same.

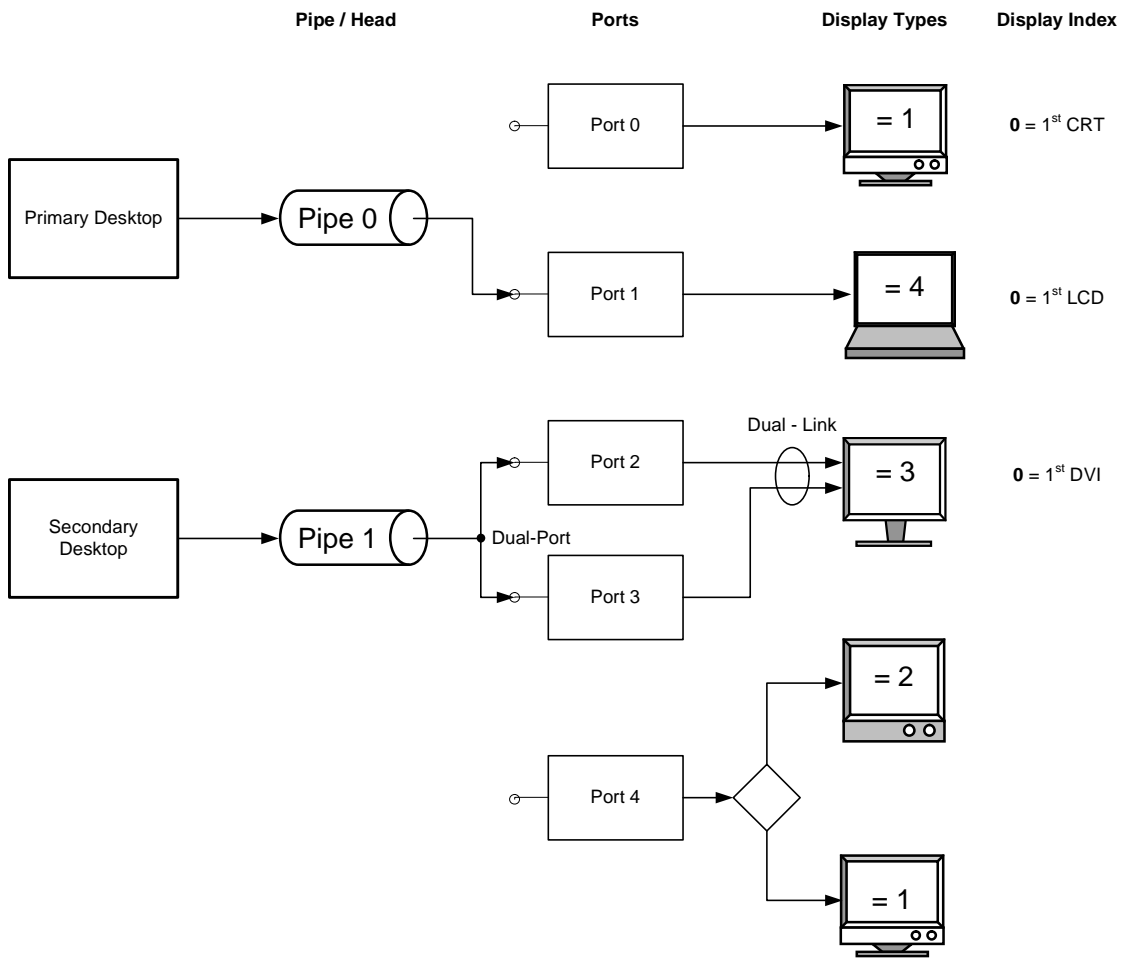


Figure B-1 Example Display Architecture

**Table B-3: Example Device Ids**

Bits	Definition
0x000xyyyy	Bit 31 = 0. Other proprietary scheme - 0x110 Device ID is an exception. (See Note 3)
0x00000110	Integrated LCD Panel #1 using a common, backwards compatible ID
0x80000100	Integrated VGA CRT or VESA compatible Monitor #1 on Port0
0x80000240	Integrated TV #1 on Port4
0x80000410	Integrated Internal LCD Panel #1 on Port1
0x80000421	LVDS Panel #2 Dual-Link using Port2 & 3. (See Note 4)
0x80000131	VGA CRT or VESA compatible Monitor #2 on Port3
0x80000121	Dual-Link VGA CRT or VESA compatible Monitor #2 using Port2 & 3. (See Note 4.)
0x80000320	DVI Monitor #1 on Port2 (shares Port2 with a Dual-Function DVI/TV Encoder). (See Note 5)
0x80000331	DVI Monitor #2 on Port3
0x80000330	Dual-Link DVI Monitor #1 using Port2 & 3
0x80000231	TV #2 on Port2 (shares Port2 with a Dual-Function DVI/TV Encoder). (See Note 5)

**Notes:**

1. An “External Digital Monitor” is an external display device attachable via a user-accessible connector standard (e.g. DFP\* or DVI\* Compatible Monitors).
2. An “Internal Flat Panel” is a non-detachable fixed pixel display device, including a backlight, and is internally associated, without user-accessible connectors, to the Video Chip (e.g. TFT LCD via TMDS\*, LVDS\* interface).
3. When Bit 31 is 0, no assumptions can be made on which ID will be used for any particular display type. Contact the Video Chip vendor for details of the ID scheme employed.
4. In certain cases multiple Displays Ports may be combined to increase bandwidth for a particular Display in higher-resolution modes. In this situation, the Display Type and Port Number should remain the same in order to retain a consistent ID for the same device, regardless of the selected display mode.
5. In certain cases, more than one type of display (and connector) may be supportable on a single Port (e.g. DVI + TV + CRT on a single Display Encoder device), while only one display is selectable at any time. In this case the Port Number field of the ID may be the same as other Display ID’s however the other fields (e.g. Display Type) provide uniqueness.

**B.4.3 \_ROM (Get ROM Data)**

This method is used to get a copy of the display devices’ ROM data. This method is required when the ROM image is stored in a proprietary format such as stored in the system BIOS ROM. This method is not necessary if the ROM image can be read through standard PCI interface (using ROM BAR).

The video driver can use the data returned by this method to program the device. The format of the data returned by this function is a large linear buffer limited to 4 KB. The content of the buffer is defined by the graphics independent hardware vendor (IHV) that builds this device. The format of this ROM data will traditionally be compatible with the ROM format of the normal PCI video card, which will allow the video driver to program its device, independently of motherboard versus add-in card issues.

The data returned by the `_ROM` method is implementation-specific data that the video driver needs to program the device. This method is defined to provide this data as motherboard devices typically don't have a dedicated option ROM. This method will allow a video driver to get the key implementation specific data it needs so that it can fully control and program the device without BIOS support.

Arguments: (2)

Arg0 – An **Integer** containing the offset of the display device ROM data

Arg1 – An **Integer** containing the size of the buffer to fill in (up to 4K).

Return Value:

A **Buffer** containing the requested ROM data

#### B.4.4 `_GPD` (Get POST Device)

This method is required if the `_VPO` method is implemented.

This method is used as a mechanism for the OS to query a CMOS value that determines which VGA device will be posted at boot. A zero return value indicates the motherboard VGA will be posted on the next boot, a 1 indicates a PCI VGA device will be posted, and a 2 indicates an AGP VGA device will be posted.

Arguments:

None

Return Value:

An **Integer** containing encoded post information (32 bits valid)

Bits 1:0

00 – Post the motherboard VGA device

01 – Post an add-in PCI VGA device

10 – Post an add-in AGP VGA device

11 – Post an add-in PCI-Express VGA device

Bits 31:2 – Reserved (must be 0)

#### B.4.5 `_SPD` (Set POST Device)

This method is required if the `_VPO` method is implemented.

This method is used as a mechanism for the OS to update a CMOS value that determines which video device will be posted at boot. A zero argument will cause the “motherboard” to be posted on the next boot, a 1 will cause an add-in PCI device to be posted, and a 2 will cause an add-in AGP device to be posted.

Arguments: (1)

Arg0 – An **Integer** containing encode post information (32 bits valid)

Bits 1:0

00 – Post the motherboard VGA device

01 – Post an add-in PCI VGA device

10 – Post an add-in AGP VGA device

11 – Post an add-in PCI-Express VGA device

Bits 31:2 – Reserved (must be 0)

Return Value:

An **Integer** containing the status of the operation

0 – Operation was successful

Non-zero – Operation failed

Example

```
Method (_SPD, 1) { // Make the motherboard device the device to post }
```

### B.4.6 \_VPO (Video POST Options)

This method is required for systems with video devices built onto the motherboard and support changing post-VGA device.

This method is used as a mechanism for the OS to determine what options are implemented. This method will be used in conjunction with \_GPD and \_SPD.

Arguments:

None

Return Value:

An **Integer** containing the options that are implemented and available

Bit 0 – Posting the motherboard VGA device is an option. (Bit 0 should always be set)

Bit 1 – Posting a PCI VGA device is an option.

Bit 2 – Posting an AGP VGA device is an option.

Bit 3 – Posting a PCI-Express VGA device is an option.

Bits 31:4 – Reserved (must be zero)

## B.5 Notifications for Display Devices

Display devices may need to know about external, asynchronous events. In order to accommodate that, the following notifications are defined.

The event number is standardized because the event will be handled by the OS directly under certain circumstances (see \_DOS method in this specification).

These notifications are valid for Display Devices.

Value	Description
0x80	<b>Cycle Output Device.</b> Used to notify OSPM whenever the state of one of the output devices attached to the VGA controller has been switched or toggled. This event will, for example, be generated when the user presses a hotkey to switch the active display output from the LCD panel to the CRT.
0x81	<b>Output Device Status Change.</b> Used to notify OSPM whenever the state of any output devices attached to the VGA controller has been changed. This event will, for example, be generated when the user plugs-in or remove a CRT from the VGA port. In this case, OSPM will re-enumerate all devices attached to VGA
0x82	<b>Cycle Display Output Hotkey Pressed.</b> Used to notify OSPM whenever the user has pressed the Cycle display hotkey.
0x83	<b>Next Display Output Hotkey Pressed.</b> Used to notify OSPM whenever the user has pressed the Next display hotkey.
0x84	<b>Previous Display Output Hotkey Pressed.</b> Used to notify OSPM whenever the user has pressed the Previous display hotkey.

## B.6 Output Device-specific Methods

The methods in this section are methods associated with the display output device.

### B.6.1 **\_ADR (Return the Unique ID for this Device)**

This method returns a unique ID representing the display output device. All output devices must have a unique hardware ID. This method is required for all The IDs returned by this method will appear in the list of hardware IDs returned by the `_DOD` method.

Arguments:

None

Return Value:

An **Integer** containing the device ID (32-bits)

Example:

```
Method (_ADR, 0) {
    return(0x0100) // device ID for this CRT
}
```

This method is required for all output display devices.

### B.6.2 **\_BCL (Query List of Brightness Control Levels Supported)**

This method allows the OS to query a list of brightness level supported by built-in display output devices. (This method is not allowed for externally connected displays.) This method is required if an integrated LCD is present and supports brightness levels.

Each brightness level is represented by a number between 0 and 100, and can be thought of as a percentage. For example, 50 can be 50% power consumption or 50% brightness, as defined by the OEM.

The OEM may define the number 0 as "Zero brightness" that can mean to turn off the lighting (e.g. LCD panel backlight) in the device. This may be useful in the case of an output device that can still be viewed using only ambient light, for example, a transfective LCD. If `Notify(Output Device, 0x85)` for "Zero brightness" is issued, OSPM may be able to turn off the lighting by calling `_BCM(0)`.

Arguments:

None

Return Value:

A variable-length **Package** containing a list of **Integers** representing the the supported brightness levels. Each integer has 8 bits of significant data.

Example:

```
Method (_BCL, 0) {
    // List of supported brightness levels
    Return (Package(7){
        80, // level when machine has full power
        50, // level when machine is on batteries
        // other supported levels:
        20, 40, 60, 80, 100}
    )
}
```

The first number in the package is the level of the panel when full power is connected to the machine. The second number in the package is the level of the panel when the machine is on batteries. All other numbers are treated as a list of levels OSPM will cycle through when the user toggles (via a keystroke) the brightness level of the display.

These levels will be set using the `_BCM` method described in the following section.

### B.6.3 **\_BCM (Set the Brightness Level)**

This method allows OSPM to set the brightness level of a built-in display output device.



The OS will only set levels that were reported via the `_BCL` method. This method is required if `_BCL` is implemented.

Arguments: (1)

Arg0 – An **Integer** containing the new brightness level

Return Value:

None

Example:

```
Method (_BCM, 1) { // Set the requested level }
```

The method will be called in response to a power source change or at the specific request of the end user, for example, when the user presses a function key that represents brightness control.

### B.6.4 `_BQC` (Brightness Query Current level)

This method returns the current brightness level of a built-in display output device.

Arguments:

None

Return Value:

An **Integer** containing the current brightness level (must be one of the values returned from the `_BCL` method)

### B.6.5 `_DDC` (Return the EDID for this Device)

This method returns an EDID (Extended Display Identification Data) structure that represents the display output device. This method is required for integrated LCDs that do not have another standard mechanism for returning EDID data.

Arguments:

Arg0 – An **Integer** containing a code for the return data length:

- 1 – Return 128 bytes of data
- 2 – Return 256 bytes of data

Return Value:

Either a **Buffer** containing the requested data (of the length specified in Arg0), or an **Integer** (value 0) if Arg0 was invalid

Example:

```
Method (_DDC, 2) {
    If (LEqual (Arg0, 1)) { Return (Buffer(128){ , , , , }) }
    If (LEqual (Arg0, 2)) { Return (Buffer(256){ , , , , }) }
    Return (0)
}
```

The buffer will later be interpreted as an EDID data block. The format of this data is defined by the VESA EDID specification.

### B.6.6 `_DCS` (Return the Status of Output Device)

This method is required if hotkey display switching is supported.

Arguments:

None

Return Value:

An **Integer** containing the device status (32 bits) (See table B-4)

**Table B-4 Device Status**

Bits	Definition
0	Output connector exists in the system now
1	Output is activated
2	Output is ready to switch
3	Output is not defective (it is functioning properly)
4	Device is attached (this is optional)
5-31	<i>Reserved</i> (must be zero)

Example:

- If the output signal is activated by `_DSS`, `_DCS` returns 0x1F or 0x0F.
- If the output signal is inactivated by `_DSS`, `_DCS` returns 0x1D or 0x0D.
- If the device is not attached or cannot be detected, `_DCS` returns 0x0xxxx and should return 0x1xxxx if it is attached.
- If the output signal cannot be activated, `_DCS` returns 0x1B or 0x0B.
- If the output connector does not exist (when undocked), `_DCS` returns 0x00.

### B.6.7 `_DGS` (Query Graphics State)

This method is used to query the state (active or inactive) of the output device. This method is required if hotkey display switching is supported.

Arguments:

None

Return Value:

An **Integer** containing the device state (32 bits) (See table B-5)

**Table B-5 Device State for `_DGS`**

Bits	Definition
0	0 – Next desired state is inactive 1 – Next desired state is active
1-31	<i>Reserved</i> (must be zero)

The desired state represents what the user wants to activate or deactivate, based on the special function keys the user pressed. OSPM will query the desired state when it receives the display toggle event (described earlier).

### B.6.8 `_DSS` (Device Set State)

OSPM will call this method when it determines the outputs can be activated or deactivated. OSPM will manage this to avoid flickering as much as possible. This method is required if hotkey display switching is supported.

Arguments: (1)

Arg0 – An **Integer** containing the new device state (32 bits) (See table B-6)

Return Value:

None

**Table B-6 Device State for \_DSS**

Bits	Definition
0	0 – Set output device to inactive state 1 – Set output device to active state
30	0 – Do whatever Bit 31 requires 1 – Don't do actual switching, but need to change _DGS to next state
31	0 – Don't do actual switching, just cache the change 1 – If Bit 30 = 0, commit actual switching, including any _DSS with MSB=0 called before If Bit 30 = 1, don't do actual switching, change _DGS to next state
1-29	<i>Reserved</i> (must be zero)

**Example Usage:**

OS may call in such an order to turn off CRT, and turn on LCD

```
CRT._DSS(0);
LCD._DSS(80000001L);
```

or

```
LCD._DSS(1);
CRT._DSS(80000000L);
```

OS may call in such an order to force BIOS to make \_DGS jump to next state without actual CRT, LCD switching

```
CRT._DSS(40000000L);
LCD._DSS(C0000001L);
```

**B.7 Notifications Specific to Output Devices**

Output devices may need to know about external, asynchronous events. In order, each of these events corresponds to accommodate that, pressing a key or button on the following machine. Using these notifications is not appropriate if no physical device exists that is associated with them. OSPM may ignore any of these notifications if, for example the current user does not have permission to change the state of the output device.

These notifications are only valid for Output Devices.

**Table B-7 Notification Values for Output Devices**

Value	Description
0x85	<b>Cycle Brightness.</b> Used to notify OSPM that the output device brightness should be increased by one level. Used to notify OSPM that the user pressed a button or key that is associated with cycling brightness. A useful response by OSPM would be to increase output device brightness by one or more levels. (Levels are defined in _BCL.) If the brightness level is currently at the maximum value, it should be set to the minimum level.
0x86	<b>Increase Brightness.</b> Used to notify OSPM that the output device brightness should be increased by one or more levels as defined by the _BCL object. Used to notify OSPM that the user pressed a button or key that is associated with increasing brightness. If the brightness level is currently at the maximum value, OSPM may should ignore the notification.

Value	Description
0x87	<b>Decrease Brightness.</b> Used to notify OSPM that the output device brightness should be decreased by one or more levels as defined by the <code>_BCL</code> object. Used to notify OSPM that the user pressed a button or key that is associated with decreasing device brightness. If the brightness level is currently at the minimum value, OSPM may should ignore the notification.
0x88	<b>Zero Brightness.</b> Used to notify OSPM that the output device brightness should be zeroed, effectively turning off any lighting that is associated with the device. Used to notify OSPM that the user pressed a button or key associated with zeroing device brightness. This is not to be confused with putting the device in a D3 state. While the brightness may be decreased to zero, the device may still be displaying, using only ambient light.
0x89	<b>Display Device Off.</b> Used to notify OSPM that the device should be put in an off state, one that is not active or visible to the user, usually D3, but possibly D1 or D2. Used to notify OSPM that the user pressed a low power button or key associated with putting the device in an off state. There is no need for a corresponding “device on” notification, for two reasons. First, OSPM may choose to toggle device state when this event is pressed multiple times. Second, OSPM may (and probably will) choose to turn the monitor on whenever the user types on the keyboard, moves the mouse, or otherwise indicates that he or she is attempting to interact with the machine.

## B.8 Notes on State Changes

It is possible to have any number of simultaneous active output devices. It is possible to have 0, 1, 2 ... and so on active output devices. For example, it is possible for both the LCD device and the CRT device to be active simultaneously. It is also possible for all display outputs devices to be inactive (this could happen in a system where multiple graphics cards are present).

The state of the output device is separate from the power state of the device. The “active” state represents whether the image being generated by the graphics adapter would be sent to this particular output device. A device can be powered off or in a low-power mode but still be the active output device. A device can also be in an off state but still be powered on.

Example of the display-switching mechanism:

The laptop has three output devices on the VGA adapter. At this moment in time, the panel and the TV are both active, while the CRT is inactive. The automatic display-switching capability has been disabled by OSPM by calling `_DOS(0)`, represented by global variable `display_switching = 0`.

The system BIOS, in order to track the state of these devices, will have three global variable to track the state of these devices. There are currently initialized to:

```
crt_active - 0
panel_active - 1
tv_active - 1
```

The user now presses the display toggle switch, which would switch the TV output to the CRT.

The system BIOS first updates three temporary variables representing the desired state of output devices:

```
want_crt_active - 1
want_panel_active - 1
want_tv_active - 0
```

Then the system BIOS checks the `display_switching` variable. Because this variable is set to zero, the system BIOS does not do any device reprogramming, but instead generates a **Notify**(VGA, 0x80/0x81) event for the display. This event will be sent to OSPM.

OSPM will call the `_DGS` method for each enumerated output device to determine which devices should now be active. OSPM will determine whether this is possible, and will reconfigure the internal data structure of the OS to represent this state change. The graphics modes will be recomputed and reset.

Finally, OSPM will call the `_DSS` method for each output device it has reconfigured.

**Note:** OSPM may not have called the `_DSS` routines with the same values and the `_DGS` routines returned, because the user may be overriding the default behavior of the hardware-switching driver or operating system-provided UI. The data returned by the `_DGS` method (the `want_XXX` values) are only a hint to the OS as to what should happen with the output devices.

If the display-switching variable is set to 1, then the BIOS would not send the event, but instead would automatically reprogram the devices to switch outputs. Any legacy display notification mechanism could also be performed at this time.

**Index**

- \_EJx .....243
- AC adapter
  - device ID .....184
  - power source objects .....398
- AC status notification .....381
- access types, Operation Region .....604
- access, device .....462
- AccessAs term .....470
- acoustics .....See noise
- ACPI
  - definition .....33
  - device ID .....183, 194
  - goals .....21
- ACPI Hardware ..... See hardware
- ACPI Machine Language ..... See AML
- ACPI mode
  - entering .....494
  - exiting .....498
- ACPI Namespace
  - AML encoding .....669
  - control method access .....166
  - definition .....33
  - display adapters .....696
  - embedded controller device definition .....462
  - generic hardware registers .....97
  - Modifier Objects encoding, AML .....658
  - naming conventions .....160
  - Processor statements .....314
  - root namespaces .....162
  - SMBus host controller objects .....467
- ACPI Source Language .....See ASL
- ACPI System Description tables .....See tables
- ACPI-compatible hardware ..... See hardware
- Acquire (Acquire a Mutex) .....579
- Acquire terms .....624
- active cooling
  - \_ACx object .....409, 422
  - control methods .....412
  - definition .....64, 408
  - engaging .....412
  - preferences .....64, 415
  - threshold values .....415
- active line printer (LPT) ports .....55
- Active List (\_ALx) object .....422
- Add (Integer Add) .....579
- add-in display adapter, definition .....696
- Address (\_ADR) object .....200
- Address Range types .....477
- address register (SMB\_ADDR) .....455
- Address Space Descriptors
  - DWORD resource descriptor format .....263
  - Extended .....267
  - QWORD resource descriptor format.260, 632, 634, 635
  - resource specific flags .....271
  - WORD resource descriptor format .....265
- Address Space Resource Descriptors
  - valid combinations .....259
- addresses
  - alarm fields .....87
  - BARs (Base Address Registers) .....167
  - blocking, BIOS .....477
  - bus types .....200, 203, 207, 237, 238, 239
  - control methods .....166
  - decoding .....358
  - FACS .....129
  - format .....110
  - functional fixed hardware .....66
  - Generic Address Structure (GAS) .....110
  - generic hardware .....66, 72
  - I/O (S)APIC .....143, 277
  - map interfaces .....477
  - map samples .....481
  - mixed, preventing .....143, 277
  - registers .....78
  - reset register .....97
  - slave .....380, 465
  - SMBus .....465
  - system description tables .....105
- Advanced Configuration and Power Interface See ACPI
- Advanced Programmable Interrupt Controller See APIC
- alarm address register (SMB\_ALARM\_ADDR) .....456
- alarm data register (SMB\_ALARM\_DATA) ... 456
- alarm events .....86
- Alias (Declare Name Alias) .....580
- allocation, device resources .....239
- Ambient Light Sensor devices .....184
- AML
  - Arg Objects encoding .....664
  - battery events .....385
  - byte values .....665
  - code event handler .....68
  - compiling .....66
  - Control Method Battery .....386
  - data buffers, SMBus .....471
  - Data Objects encoding .....657
  - Debug Objects encoding .....664
  - definition .....33
  - grammar .....656
  - Local Objects encoding .....664
  - Name Objects encoding .....656
  - Named Objects encoding .....658
  - Namespace encoding .....669
  - Namespace Modifier Objects encoding .....658
  - notation conventions .....655
  - Package Length encoding .....658
  - purpose of .....66

sleep button code example .....	84	nested packages sample code .....	608
SMBus device access protocols .....	472	object names.....	558
specification .....	655	objects, declaring.....	164
Term Objects encoding .....	658	opcode terms .....	541
Type 1 Opcodes encoding.....	660	opcodes.....	541
Type 2 Opcodes encoding.....	661	operator reference.....	579
And (Integer Bitwise And) .....	580	operator summary.....	574
angle brackets		operator summary by type.....	576
AML.....	655	parameter keyword terms .....	551
ASL notation .....	536	parameters .....	565
answering phones		power button code example.....	82
modem example .....	53	Power Resource statements .....	283
waking computer.....	55	primary terms .....	542
APIC		reserved object names .....	558
_MAT (Multiple APIC Table Entry) .....	224	resource template terms.....	552
definition .....	33	root and secondary terms.....	538
I/O .....	35, 139	SMBBlock code .....	474
local.....	36	SMBBlockProcessCall code .....	475
<i>multiple description table (MADT)</i> .....	36	SMBByte code .....	473
NMI.....	142	SMBProcessCall code.....	475
Processor Local.....	139, 159	SMBQuick code .....	472
structure types .....	138	SMBSendReceive code .....	472
support.....	136, 140	SMBus data buffer code.....	471
APM BIOS .....	45	SMBus devices .....	469
appliance PCs .....	127	SMBWord code.....	473
ARB_DIS .....	95	storing results .....	565
architecture, system description tables .....	105	strings .....	536
Arg Objects encoding, AML .....	664	thermal zone examples .....	434
arguments, control methods.....	165	virtual register code.....	170, 470
Argx (Method Argument Data Objects) .....	580	AT interrupt model .....	148
arrow symbol		ATA hard disks.....	<i>See storage devices</i>
ASL notation.....	536	audible output .....	<i>See noise</i>
ASL		audio devices, power management .....	673, 674
_FIX usage example.....	215	aware device drivers .....	177
_HPP example.....	218	Back From Sleep (_BFS).....	296
AML, relation to .....	535	BankField (Declare Bank/Data Field) .....	580
case sensitivity .....	558	bar symbol	
CMOS protocols .....	167	AML notation.....	656
comments .....	536	ASL notation .....	536
converting to AML.....	66	BARs (Base Address Registers) .....	167
data and constant terms .....	539	Base Bus Number (_BBN) object.....	279
data types .....	563	batteries.....	<i>See also Smart Batteries</i>
definition .....	33	capacity .....	59
Definition Block terms .....	588	Control Method Batteries .....	385
EC-SMB-HC device code .....	464	emergency shutdown.....	61
embedded controller device code.....	463	events .....	385
grammar .....	535	low-level warnings .....	59
grammar notation .....	536	management .....	58
index with buffers example code .....	609	multiple .....	58
IPMI data buffer code .....	171	power status information.....	51
IPMI devices .....	169	remaining capacity .....	394
lid status code example .....	101	types supported.....	51
macros .....	562	Battery Charge Time (_BCT) object .....	395
modifiers .....	558	Battery Information (_BIF) object.....	387
multiple Smart Battery subsystem code .....	385	Battery Information Extended(_BIX) object .....	388
name and pathname terms .....	538	Battery Maintenance Control (_BMC) object .....	397

Battery Maintenance Data (_BMD) object.....	395	Block Write-Read Block Process Call (SMBBlockProcessCall) protocol .....	475
Battery Measurement Averaging Interval (_BMA) object .....	392	blocking, control methods .....	165
Battery Measurement Sampling Time (_BMS) object .....	392	blocks, register .....	76
Battery Status (_BST) object.....	393	BM_RLD .....	94
Battery Time (_BTM) object.....	394	BM_STS .....	90
Battery Trip Point (_BTP) object .....	394	bold	
bay devices .....	410	AML notation .....	655
BIOS		ASL notation .....	537
address range types .....	477	boot architecture flags, IA-PC .....	128
configuring boot devices .....	57	boot devices .....	57
determining ACPI support .....	88	boot resources, embedded controller .....	149
Device Objects .....	589	bootstrap ROM .....	496
devices, switching .....	708	boot-up.....	492
Dock Name (_BDN) .....	277	boot-up display adapter, definition .....	696
initialization .....	493	brackets, angle	
legacy functions .....	45	AML notation.....	655
legacy specifications .....	31	ASL notation .....	536
limitations on power management .....	22	Break (Break from While) .....	581
memory initialization .....	495	BreakPoint (Execution Break Point).....	582
relation to ACPI.....	24	bridges	
resetting enable bits.....	99	Base Bus Number (_BBN).....	279
S4 Sleeping state transition .....	490	DWORD.....	264
bits		flags .....	273
alarm .....	87	ISA bus device .....	344, 589
child .....	72, 97	power states .....	51
child status .....	99	purpose .....	107
control .....	97	QWORD.....	262, 269
diagram legend.....	68	WORD .....	266
enable .....	75	Brightness Control Levels Supported, Query List of (_BCL).....	704
general-purpose events.....	99	brightness control, LCDs .....	695
generic hardware registers.....	97	Brightness Level, Set (_BCM) .....	704
ignored .....	35, 72	Buffer (Declare Buffer Object).....	582
interrupt status.....	72	Buffer field data type, ASL .....	563, 567
lid status .....	101	buffers, IPMI .....	170
parent.....	72, 97	buffers, SMBus.....	471
PM timer .....	95	built-in display adapter, definition.....	696
PM1 Control registers .....	94	Burst Disable Embedded Controller (BD_EC) .....	449
PM1 Enable registers .....	93	Burst Enable Embedded Controller (BE_EC).....	449
PM1 Status registers.....	90	Burst flags.....	447
PM2 Control register.....	95	burst mode .....	449
processor control register .....	96	Bus/Device packages .....	589
processor LVL2.....	96	buses	
processor LVL3.....	97	power management standards .....	49, 672
register notation.....	69	segment locations .....	279
reserved.....	37, 72, 109	setting power states .....	51
reset register .....	97	button control models .....	81
SMBus protocol encoding.....	466	buttons .....	<i>See</i> power button; sleep button
status .....	75, 97	byte values, AML .....	665
system event signals.....	57	C0 processor power state	
wake enabled.....	52	definition .....	43
write-only .....	73	implementation.....	309
blanks .....	536	C1 processor power state	
block count register (SMB_BCNT).....	455	definition .....	43
block devices, GPE.....	352		



implementation.....	311	during emergency shutdown .....	62
C2 processor power state		restoring .....	40
definition .....	43	S4 sleeping state .....	489
implementation.....	311	sleep states lost in.....	42
C3 processor power state		contiguous RAM.....	496
definition .....	43	Continue (Continue Innermost Enclosing While)	
implementation.....	311	.....	584
cache controller configuration .....	494	control bits	
caches, flushing .....	312, 491	functions.....	97
capacity, battery		symbol.....	68
calculating .....	59	Control Method Battery.....	58, 180, 182, 183, 385
low-level warnings .....	61	control methods .....	<i>See also</i> objects, <i>See also</i>
remaining .....	394	objects, <i>See also</i> objects, <i>See also</i> objects, <i>See</i>	
status information.....	51	also objects, <i>See also</i> objects, <i>See also</i> objects	
CardBus mode .....	277	_ADR (Return the Unique ID for this Device)	
Case (Conditional Execution).....	582	.....	704
case sensitivity, ASL .....	558	_BCL (Query List of Brightness Control	
category names .....	25	Levels Supported).....	704
Celsius scale .....	411	_BCM (Set the Brightness Level) .....	704
centenary value, RTC alarm .....	87	_BDN (BIOS Dock Name) .....	277
Central Processing Unit.....	<i>See</i> CPU	_BFS (Back From Sleep) .....	296
CENTURY .....	87	_DCK (Dock).....	277
channels, DMA.....	250	_DCS (Return the Status of Output Device)	
chemistry independence .....	381	.....	705
child bits .....	72, 97	_DDC (Return the EDID for this Device). 705	
child objects, ASL statements .....	536	_DDS (Device Set State).....	706
child status bits .....	99	_DGS (Query Graphics State).....	706
CLK_VAL.....	96	_DOD (Enumerate All Devices Attached to	
clock logic .....	309	the Display Adapter).....	698
CMOS protocols.....	167	_DOS (Enable/Disable Output Switching) 697	
cold boots .....	97, 494	_FDM (Floppy Disk Drive Mode) .....	352
cold insertion and removal .....	240	_GPD (Get POST Device) .....	702
COM port devices, power management ..53, 673,		_GTF (Get Task File).....	345
675		_GTM (Get Timing Mode) .....	347
command protocols, SMBus.....	465	_GTS (Going To Sleep) .....	297
command register (SMB_CMD) .....	455	_LID (lid device)..... 337, 338, 342, 343, 372,	
commands, embedded controller interface .....	448	375, 376, 377	
comments, ASL .....	536	_MSG (Message) .....	335
compatibility memory .....	496	_OFF .....	284
compatibility, compiler.....	642	_ON.....	285
Compatible ID (_CID) object.....	201	_PS0 (Power State 0).....	287
compiling, ASL to AML .....	66, 642	_PS1 (Power State 1).....	288
composite battery .....	58	_PS2 (Power State 2).....	288
Concatenate (Concatenate Data) .....	583	_PS3 (Power State 3).....	288
ConcatenateResTemplate (Concatenate Resource		_PSC (Power State Current).....	288
Templates).....	583	_PSW .....	291
CondRefOf (Conditional Reference Of).....	583	_PTS (Prepare To Sleep).....	297
configuration objects, device.....	210	_REG (Region).....	277
configuring		_ROM (Get Rom Data) .....	701
BIOS initialization .....	494	_SCP (Set Cooling Policy).....	427
boot devices .....	57	_SPD (Set POST Device).....	702
modem example .....	57	_SST (System Status).....	335
Plug and Play devices .....	56	_STM (Set Timing Mode).....	348
context, device.....	34	_TMP (Temperature).....	409, 430
context, system		_VPO (Video POST Options).....	703
definition .....	37	_WAK (System Wake).....	303

arguments	165	Critical Temperature (_CRT) object	414, 425
ASL, writing	535	critical temperature shutdowns	408, 414
battery	386	Cross Device Dependency	73
definition	33	CRT monitors, power management	676
device identification	199	C-States (processor power)	312, 316
device removal	240	CT phones	<i>See</i> modems
initialization (_INI)	276	Current Resource Settings (_CRS) objects	212, 366
lid device	333, 336, 343, 371, 373	Cx states	<i>See</i> processor power states
OEM-supplied	296	D0-Fully On	
overview	165	control method	287
power button	82, 343	definition	41
Power Resource objects	284	In Rush Current (_IRC) object	292
power source	398, 400	power resource object	289
reserved names	185	transitioning to	289
resources	210	D1 Device State	
sleep button	84, 343	control methods	288
system indicators	335	definition	41
thermal management	421	power resource objects	289
video extensions	695	transitioning to	289
control registers	75	D2 Device State	
controllers, embedded		control methods	288
definition	34	definition	41
interface	34	power resource objects	290
conversion, data types	563	transitioning to	290
cooling modes	64, 408	D3-Off	
cooling preferences	64, 415	control methods	288
CopyObject (Copy an Object)	584	definition	41
core logic, system events	57	transitioning to	285
CPU		dash character	
boot configuration	494	AML notation	656
boot-up	492	ASL notation	537
cache flushing	312	data buffers, IPMI	170
clock logic	309	data buffers, SMBus	471
definition	34	Data Objects encoding, AML	657
fixed hardware control	65, 66	data objects, ASL	
multiple performance state control	326	Buffer	582
non-symmetric power state support	308	Package	629
passive cooling	412	data register array (SMB_DATA)	455
performance states	43	data types	
power management	56	ASL	563
processor power states	42, 307	concatenate	571, 572, 573, 583
thermal management	63	data types, resource	<i>See</i> resource data types
throttling	309, 320	DataTableRegion (Create Data Table Operation Region)	586
waking operations	51	day alarm	87
crashed systems	81, 82	day mode	49
CreateBitField (Create 1-Bit Buffer Field)	584	DAY_ALARM	87
CreateByteField (Create 8-Bit Buffer Field)	585	DDB Handle data type, ASL	563, 567
CreateDWordField (Create 32-Bit Buffer Field)	585	DDT, Plug and Play devices	56
CreateField (Create Arbitrary Length Buffer Field)	585	Debug (Debugger Output)	587
CreateQWordField (Create 64-Bit Buffer Field)	585	Debug Object data type, ASL	563, 567
CreateWordField (Create 16-Bit Buffer Field)	586	Debug Objects encoding, AML	664
<b>Critical battery state</b>	61	Debug Port Specification, Microsoft	115
		debugging	
		requirements for	535

- decimals, notation .....536
- Decrement (Integer Decrement) .....587
- Default (Default Execution Path in Switch) ...587
- Definition Blocks
  - ASL code .....558
  - definition .....34
  - encoding .....162
  - loading ..... 107, 134, 616
  - loading from XSDT .....617
  - unloading.....648
- DefinitionBlock (Declare Definition Block) ..588
- definitions .....*See* terminology
- degrees, Kelvin .....411
- dependencies, device .....73, 251
- DerefOf (Dereference an Object Reference) ..588
- description tables .....*See* tables
- design guides .....25, 27
- desktop PCs
  - power management .....48
  - profile system type .....127
- Device (Declare Bus/Device Package) .....588
- device and processor performance states...43, 56
- Device Class Power Management specifications .....50
- Device data type, ASL.....563, 567
- device drivers, ACPI-Aware.....177
- Device Name (\_DDN) object .....201
- device power
  - management .....49, 671
  - modem example .....53
  - objects .....285
  - requirements.....673
  - resources .....50
  - specifications.....671
  - standards .....49, 50
  - states.....41, 42
  - status .....51
- Device Set State (\_DSS).....706
- devices
  - audio, power management .....674
  - class-specific objects.....183
  - COM port, power management.....675
  - configuration objects.....210
  - context, definition .....34
  - definition .....34
  - graphics .....695
  - identification objects .....199
  - input, power management .....685
  - insertion and removal objects.....239
  - interference .....73
  - modems, power management.....686
  - network, power management .....689
  - object notification .....178
  - PC Card controllers, power management...690
  - Plug and Play IDs.....183
  - power states.....41, 42
  - resource allocation .....239
  - resource control method .....210
  - SMBus, declaring.....467
  - storage, power management .....693
  - waking system .....290
- Devices Attached to the Display Adapter (\_DOD) .....698
- diagram legends .....68
- Differentiated Definition Block
  - Bus/Device packages.....589
  - definition .....34
  - determining device power capabilities .....50
  - modem example .....54
- Differentiated Description Block
  - isolation logic .....54
- Differentiated System Description Table .....*See* DSDT
- digital modems .....*See* modems
- Direct Memory Access (\_DMA) object.....212
- Disable (\_DIS) object .....212
- Disable Output Switching (\_DOS) .....697
- display adapters
  - ACPI Namespace .....696
  - control methods .....695
  - definitions.....696
  - requirements for .....695
  - switching devices .....708
- display devices, power management .....673, 676
- Display Power Management Signaling Specification (DPMS) .....672
- Divide (Integer Divide) .....590
- DMA resource descriptor format .....250
- DMA Resource Descriptor Macro.....590
- Dock (\_DCK) control method .....277
- docking
  - control methods .....239, 277
  - event signals .....57
  - objects .....241
  - query events .....98
- documentation
  - organization.....29
  - supplemental .....31
- drain rates, battery .....59
- drivers
  - interference.....73
  - restoration.....42
- DSDT
  - definition .....34, 135
  - location .....106
  - purpose .....107
- dual 8259 .....140
- dual-button model.....81
- duty cycle.....309
- DVD decoders .....698
- DWORD .....96
- DWORD resource descriptor format .....263

DWordIO (DWord IO Resource Descriptor Macro).....	591	commands, restricted.....	462
DWordMemory (DWord Memory Resource Descriptor Macro).....	592	configurations, additional.....	446
DWordSpace (DWord Space Resource Descriptor Macro).....	594	data register (EC_DATA).....	448
dynamic insertion and removal.....	239	definition.....	34
dynamic objects.....	166	device access.....	462
dynamic Operation Regions.....	628	firmware requirements.....	450
dynamic transitioning.....	69	Input Buffer Full (IBF) flag.....	447, 452
E_TMR_VAL.....	95	interrupt model.....	450
E820 mapping.....	477	objects.....	462
EC_DATA (embedded controller data register).....	448	OEM-definable values.....	452
.....	448	Output Buffer Full (OBF) flag.....	447, 452
EC_SC (R) (embedded controller status register).....	447	registers.....	446
.....	447	shared.....	444, 446
EC_SC (W) (embedded controller command register).....	448	SMBus host controller.....	452
ECDT.....	149	SMBus notification header (OS_SMB_EVT).....	450
ECI.....	<i>See</i> embedded controller interface	SMBus protocol descriptions.....	456
EC-SMB-HC.....	452, 463	SMBus registers.....	453
EDID control methods (_DDC).....	705	SMI event flags.....	447
EFI		specifications.....	443
definition.....	34	status register (EC-SC (W)).....	447
GetMemoryMap interface.....	480	emergency shutdown.....	61
RSDP location.....	112	enable bits	
EISA ID.....	202	corresponding status bits.....	99
EISAID (EISA ID String To Integer Conversion Macro).....	595	resetting.....	99
Eject (_EJx) object.....	243	symbol.....	68
Eject Device List (_EDL) object.....	241	enable register.....	57
Ejection Dependent Device (_EJD) object.....	241	Enable/Disable Output Switch (_DOS).....	697
ejection mechanisms.....	239	encoding	
Else (Alternate Execution).....	595	AML.....	656
ElseIf (Alternate/Conditional Execution).....	596	Definition Blocks.....	162
embedded controller		object names, ASL.....	558
address space.....	72	tables.....	109
boot resources table.....	149	End Dependent Functions resource descriptor	
burst mode.....	449	format.....	252
definition.....	34	end tag resource descriptor format.....	254
device ID.....	183	EndDependentFn End Dependent Functions	
device object.....	344	Descriptor Macro).....	597
event control example.....	98	energy conservation.....	<i>See</i> power management
multiple.....	443	Enterprise servers.....	127
operations.....	102	Enumerate All Devices Attached to the Display	
queuing events.....	176	Adapter (_DOD).....	698
region control method.....	278	enumeration, enabling.....	467
embedded controller interface		errors, fatal.....	602
ACPI Namespace objects.....	462	Ethernet adapters.....	<i>See</i> network devices
algorithms.....	451	Event (Declare Event Synchronization Object).....	597
ASL code, device.....	463	Event data type, ASL.....	563, 567
bi-directional communications.....	443	events	
Burst flag.....	447	alarm.....	86
command interrupt model.....	451	AML code handler.....	68
command register (EC_SC (W)).....	448	battery.....	385
command set.....	448	button.....	81
		enable register.....	57
		fixed feature.....	35
		fixed handling.....	174

general model.....	57
general-purpose registers .....	35, 97
hardware.....	70
interrupt.....	70, 88
link status .....	690
OS-transparent .....	71
power button .....	82
power button override .....	83
programming model.....	172
query .....	98
shared .....	72
status register .....	57
synchronization objects.....	639
synchronization, waiting for.....	649
user-initiated .....	81
wake frame.....	690
exiting ACPI mode.....	498
extended I/O bus.....	183
Extended Interrupt resource descriptor format .....	273
Extended IO Resource Descriptor Macro.....	597
Extended Memory Resource Descriptor Macro .....	599
Extended resource descriptor format .....	267
Extended Root Systems Description Table .... <i>See</i> XSDT	
Extended Space Resource Descriptor Macro..	600
Extensible Firmware Interface..... <i>See</i> EFI	
External (Declare External Objects).....	601
FACS	
definition .....	35
flags.....	132
Global Lock .....	132
table fields .....	128
FADT	
alarm bits.....	86
cache flushing .....	312, 492
definition .....	35
flags.....	124
location.....	106
optional feature bits.....	89
Plug and Play IDs.....	215
processor power states.....	308
purpose .....	106
reset register location .....	97
SCI interrupt mapping.....	88
table fields .....	118
fans	
active cooling .....	64, 412
device operations.....	417
noise preferences.....	64
Plug and Play ID .....	103
thermal zone example .....	435
Fatal (Fatal Error Check).....	602
fatal errors.....	602
features	
fixed .....	35
generic.....	35
generic hardware .....	99
Field (Declare Field Objects).....	602
fields	
alarm.....	87
cache flushing.....	492
declaring objects.....	602
embedded controller boot resources .....	149
FACS.....	128
FADT .....	118, 215
I/O APIC .....	140
I/O SAPIC .....	143
IPMI .....	169
MADT .....	137, 157
NMI.....	141
Processor Local APIC .....	139, 146, 159
reserved .....	109
RSDT .....	116
SBST .....	149
SMBus.....	469
Start Dependent Functions .....	251
XSDT .....	117
FindSetLeftBit (Find First Set Left Bit) .....	605
FindSetRightBit (Find First Set Right Bit) ....	605
firmware	
ACPI System.....	25
embedded controller requirements .....	450
OSPM controls .....	46
SMM functional fixed hardware implementation .....	66
Firmware ACPI Control Structure..... <i>See</i> FACS	
Fixed ACPI Description Table .....	<i>See</i> FADT
fixed event handling .....	174
fixed features	
definition .....	35
events .....	35
registers .....	35
fixed hardware	
definition .....	65
feature control bits.....	94
feature enable bits .....	92
feature status bits.....	89
features .....	73
functional implementation.....	65
interfaces .....	65
power button.....	82
programming model.....	65
register blocks .....	76
registers .....	75, 89
sleep button .....	84
fixed location I/O port descriptor resource descriptor format .....	253
Fixed Register Resource Provider (_FIX) .....	215
fixed width registers .....	275
FixedIO (Fixed IO Resource Descriptor) .....	605

FixedList.....	536	GBL_EN.....	93
flags		GBL_RLS.....	94
Burst.....	447	GBL_STS.....	90
DWORD.....	264	general event model.....	57
FACS.....	132	general-purpose event registers	
FADT.....	124	addresses.....	78, 97
I/O resource.....	272	blocks.....	80, 99
IA-PC boot architecture.....	128	definition.....	35
Input Buffer Full (IBF).....	447, 452	event 0.....	99
interrupt vector.....	274	event 0 enable.....	100
local APIC.....	139	event 0 status.....	100
MADT.....	138	event 1.....	100
memory resource.....	271	event 1 enable.....	101
MPS INTL.....	141	event 1 status.....	100
Output Buffer Full (OBF).....	447, 452	grouping.....	77
QWORD.....	261, 268	wake events, role in.....	178
SMI event (SMI_EVT).....	447	general-purpose events	
system type.....	128	_Exx, _Lxx, and _Qxx methods.....	175
WORD.....	266	handling.....	175
floppy controller device objects.....	350	wake.....	177
Floppy Disk Drive Mode (_FDM) control		generic address space, SMBus.....	465
method.....	352	Generic Address Structure (GAS).....	110
Floppy Disk Enumerate (_FDE) object.....	350	generic events	
Floppy Disk Information (_FDI) object.....	351	example.....	98, 305
floppy disks.....	<i>See</i> storage devices	top-level.....	98
flushing caches.....	312, 491	generic feature, definition.....	35
frequency mismatch.....	179	generic hardware	
FromBCD (Convert BCD To Integer).....	606	definition.....	65
Function (Declare Control Method).....	606	features.....	74, 99
functional device configuration.....	494	power button control.....	82
functional fixed hardware.....	65	programming model.....	66
functions		registers.....	66, 75, 97
End Dependent.....	252	sleep button control.....	84
Start Dependent.....	251	generic ISA bus device.....	344
G0 Working state		generic register resource descriptor format....	275
behavior during.....	486	Get POST Device (_GPD).....	702
definition.....	39	Get Power Status.....	51
properties.....	40	Get ROM Data (_ROM).....	701
transitioning to.....	69	Get Task File (_GTF) control method.....	345
transitioning to Sleeping state.....	491	Get Timing Mode (_GTM) control method....	347
transitioning to Soft-Off.....	491	GetMemoryMap.....	480
G1 Sleeping state		Global Lock.....	132
definition.....	39	Global Lock (_GLK) object.....	281
properties.....	40	Global Lock Mutex.....	193
transitioning to.....	486	Global Lock Structure.....	133
G2 Soft Off		global standby timer.....	72
definition.....	39	global system interrupts.....	140, 147
properties.....	40	global system states	
transitioning to.....	70	definition.....	35, 39
G3 Mechanical Off		terminology.....	39
definition.....	39	transitioning.....	47, 70, 204, 206, 209, 700
properties.....	40	goals	
transitioning from.....	69	ACPI.....	21
transitioning to.....	48	OSPM.....	21
game pads.....	<i>See</i> input devices	power management.....	22
GAS.....	<i>See</i> Generic Address Structure	Going To Sleep (_GTS) control method.....	297

GPE	
block devices	184, 352
control method	177
grammar	
AML	656
ASL	535
grammar notation	
AML	655
ASL	536
graphics devices, requirements for	695
Graphics State, Query (_DGS)	706
Green PCs, power management for	48
groupings, register	<i>See</i> register groupings
guides, design	25, 27
hardware	<i>See also</i> fixed hardware; generic hardware
ACPI interfaces	24
ACPI specifications	65
definition	33
events	70
features	73
fixed	65
generic	66
ignored bits	72
interfaces	25
legacy	72
legacy vs. ACPI	23
OEM implementation	23
OS-independent	66, 67
OSPM model	69
register definitions	66
registers	75
reserved bits	72
value-added	67
hardware ID (_HID) object	202, 382
headers, long	117
headers, table	105, 113
heat management	<i>See</i> thermal management
hexadecimals, notation	536
holes, compatibility	496
home PCs, power management for	48
host controller objects, SMBus	467
hot insertion and removal	240, 243
Hot Plug Memory Table Specification, Microsoft	115
Hot Plug Parameters (_HPP) object	217, 220, 222
Hot Temperature (_HOT) object	425
hung systems	81, 82
hysteresis	410
I/O APIC	
_MAT (Multiple APIC Table Entry)	224
definition	35
Global System Interrupts	148
mixed addresses, preventing	143, 277
structure	139
I/O operations, lazy	22
I/O port resource descriptor format	252
I/O resource flag	272
I/O SAPIC	
definition	35
mixed addresses, preventing	143, 277
Platform Interrupt Source structure	144, 145, 146
structure	143
I/O space	72, 107
IA (Intel Architecture) specifications	31
IA processors	312
IA-32 systems	66
IA-PC	
boot architecture flags	128
definition	35
interrupt models	140
memory map system	477
memory mapping	495
RSDP location	111
ID, Compatible (_CID object)	201
IDE	
controller device	346
drives	67
IDE devices	<i>See</i> storage devices
identification objects, device	199
idle loops, CPU	56
idle timers, legacy	72
IDs, Plug and Play	183, 199
If (Conditional Execution)	607
ignored bits	
definition	35, 72
PM1 Status register	91
implementation requirements	
OEM	23
OS	29
OSPM	28
In Rush Current (_IRC) object	292
Include (Include Additional ASL File)	607
Increment (Integer Increment)	608
independence, OS	
ACPI	22
functional fixed hardware	66
generic hardware	67
Independent Hardware Vendors (IHVs)	
power management standards	49
Index (Indexed Reference To Member Object)	608
Index with Buffers	609
Index with Packages	608
Index with Strings	610
IndexField (Declare Index/Data Fields)	610
indicators, system	335
initialization	
BIOS	493
boot-up	492
OS	497

initialization object (_INI).....	276
Input Buffer Full (IBF) flag.....	447, 452
input devices, power management.....	673, 685
Input/Output .....	<i>See</i> I/O
insertion and removal objects .....	239
insertion and removal, batteries.....	385
INT 15 mapping .....	477
Integer data type, ASL.....	563, 567
Integers .....	558
Intel Architecture specifications.....	31
Intel Architecture-Personal Computer .....	<i>See</i> IA-PC
interdependent resources .....	251
interfaces	
ACPI .....	24
battery .....	58
BIOS, legacy .....	45
Control Method Battery .....	386
design guides.....	25
EC-SMB-HC.....	452
embedded controller.....	34
extensible firmware (EFI) .....	34
fixed hardware.....	65
hardware.....	25
mapping.....	477
sharing protocols .....	446
SMBus.....	37, 465
interference, device.....	73
Interrupt (Extended Interrupt Descriptor Macro)	
.....	611
interrupt events	
logic .....	70
SCI .....	88
shareable .....	88
SMI .....	88
Interrupt Source Overrides .....	140
interrupt sources, non-maskable (NMIs) .....	141
interrupt status bits .....	72
interrupts	
embedded controller interface .....	450
Extended Interrupt resource descriptor format	
.....	273
models .....	136, 140, 147, 157
Platform Interrupt Source structure .....	144
PMIs.....	144
invocation, control methods .....	166
IO (I/O Port Resource Descriptor Macro) .....	612
IPMI	
data buffers.....	170
fields, declaring.....	169
operation regions.....	168
IRQ (Interrupt Resource Descriptor Macro) .....	613
IRQNoFlags (Interrupt Resource Descriptor	
Macro).....	613
IRQs	
mapping.....	140, 141
PCI routing .....	235
resource descriptor format.....	250
ISA	
bus device.....	183, 194, 344
Device Objects code.....	589
interrupt sources .....	140
old cards .....	252
ISDN Terminal Adapters.....	<i>See</i> modems
isolation logic .....	54
italics, ASL notation .....	537
joysticks.....	<i>See</i> input devices
Kelvin scale .....	411
kernel .....	24
key, logic diagrams.....	68
keyboard controllers .....	443
keyboards.....	<i>See</i> input devices
LAnd (Logical And) .....	614
large resource descriptor format.....	254
latency	
acceptable.....	47, 204, 206, 209, 700
global power states .....	40
processor power states.....	307
lazy I/O operations.....	22
LCD panels	
brightness control .....	695
power management .....	676
legacy BIOS interfaces .....	45
legacy hardware	
BIOS specification .....	31
boot flags.....	128
converting to fixed .....	65
definition .....	36
interrupt handlers .....	88
support.....	23
legacy OS, definition .....	36
legacy systems	
definition .....	36
memory mapping .....	495
power button functions.....	48
power management .....	71
power state transitions.....	69
switching devices out of.....	277
transitioning to ACPI .....	88
legends, logic diagrams .....	68
LEqual (Logical Equal) .....	614
LGreater (Logical Greater) .....	614
LGreaterEqual (Logical Greater Than Or Equal)	
.....	615
lid device .....	183
lid status notification values .....	181, 182
lid switch .....	101
life, battery.....	59
link status events.....	690
LINT .....	142
LLess (Logical Less) .....	615
LLessEqual (Logical Less Than Or Equal) ...	615
LNot (Logical Not).....	616



LNotEqual (Logical Not Equal) .....	616
Load (Load Definition Block) .....	616
loading Definition Blocks.....	107, 134, 616, 617
LoadTable (Load Definition Block From XSDT) .....	617
local APIC, definition.....	36
Local Objects encoding, AML .....	664
Localx (Method Local Data Objects) .....	618
Lock (_LCK) object .....	243
Lock, Global .....	132
logic	
fixed power button .....	82
generic hardware event example .....	98
lid switch .....	101
sleep button .....	84
sleeping/wake control .....	85
logic diagram legends.....	68
LOr (Logical Or) .....	618
low-level warnings, battery .....	59
LPT ports .....	55
macros, ASL	
24-bit Memory Resource Descriptor.....	619
32-bit Fixed Memory Resource Descriptor.....	621
32-bit Memory Resource Descriptor.....	620
coding.....	562
DMA Resource Descriptor.....	590
DWordIO Resource Descriptor.....	591
DWordMemory Resource Descriptor .....	592
DWordSpace Resource Descriptor.....	594
EISAID Conversion .....	595
End Dependent Functions Resource Descriptor .....	597
Extended Interrupt Resource Descriptor .....	611
ExtendedIO Resource Descriptor.....	597
ExtendedMemory Resource Descriptor .....	599
ExtendedSpace Resource Descriptor .....	600
FixedIO Resource Descriptor.....	605
I/O Port Resource Descriptor .....	612
IRQ Interrupt Resource Descriptor .....	613
IRQNoFlags Interrupt Resource Descriptor .....	613
QWordIO Resource Descriptor.....	631
QWordMemory Resource Descriptor .....	632
QWordSpace Resource Descriptor.....	634
Register Resource Descriptor.....	635
ResourceTemplate.....	637
Start Dependent Function NoPri Resource Descriptor .....	641
Start Dependent Function Resource Descriptor .....	640
Unicode Conversion.....	648
UUID Conversion .....	647
VendorLong Resource Descriptor.....	648
VendorShort Resource Descriptor .....	649
WordBusNumber Resource Descriptor.....	650
WordIO Resource Descripto.....	651
WordSpace Resource Descriptor.....	652
<b>MADT</b>	
_MAT object.....	224
<b>definition</b> .....	36
flags.....	138
interrupt models .....	136, 157
table fields .....	137, 157
Magic Packet wake .....	689
management..... <i>See</i> power management; thermal management	
mapping	
E820 .....	477
EFI GetMemoryMap .....	480
INT 15 .....	477
interfaces for.....	477
IRQs .....	140, 141
PCI interrupt pins .....	233
physical memory .....	495
Query System Address Map function .....	483
samples .....	481
Match (Find Object Match) .....	618
Mechanical Off	
definition .....	39
properties.....	40
transitioning from.....	69
transitioning to .....	48
memory	
BIOS initialization .....	495
controller configuration.....	494
descriptor macros .....	621
devices.....	357
map interfaces .....	477
map sample.....	481
NVS.....	495
physical mapping .....	495
resource flag.....	271
memory device .....	184
memory range descriptors	
24-Bit .....	256
32-Bit .....	257
32-Bit Fixed Location .....	259
purpose .....	256
memory space.....	72
Memory24 (Memory Resource Descriptor Macro).....	619
Memory32 (Memory Resource Descriptor Macro).....	620
Memory32Fixed (Memory Resource Descriptor Macro).....	621
Message (_MSG) control method.....	335
Method (Declare Control Method) .....	621
Method data type, ASL.....	563, 567
methods, control .....	<i>See</i> control methods
mice .....	<i>See</i> input devices
Microsoft Device Class Power Management specifications.....	50

Mid (Extract Portion of Buffer or String).....	623	notation	
mobile PCs		AML.....	655
lid switch.....	101	ASL.....	536
power management.....	48	numeric constants.....	536
profile system type.....	127	register bits.....	69
Mod (Integer Modulo).....	623	Nothing.....	536
modems		notification	
configuration example.....	57	battery removal.....	385
power management.....	673, 686	power button control.....	82
power management example.....	53	Smart Battery status.....	381
modifiers		temperature changes.....	411
ASL names.....	558	Notification Temperature Threshold (_NTT)	
Module Device.....	184, 353	object.....	426
MON-ALRM.....	87	Notify (Notify Object of Event).....	626
monitors.....	<i>See</i> display devices	numeric constants, notation.....	536
month alarm.....	87	NVS files	
motherboard device configurations		checking validity.....	497
ACPI goals.....	21	restoring from.....	40
controlled by OSPM.....	45	NVS memory.....	495
modems.....	687	object name, definition.....	36
MPS INTI flags.....	141	Object Reference data type, ASL.....	563, 567
<b>Multiple APIC Description Table ....</b>	<b><i>See</i> MADT</b>	objects.....	<i>See also</i> control methods, <i>See also</i> control
Multiple APIC Table Entry (_MAT) object.....	224	methods, <i>See also</i> control methods, <i>See also</i>	
multiple Smart Battery Subsystem.....	384	control methods, <i>See also</i> control methods,	
Multiply (Integer Multiply).....	623	<i>See also</i> control methods, <i>See also</i> control	
multiprocessor PCs		methods	
performance control.....	326	_BMC (Battery Maintenance Control).....	397
power management for.....	48	_ACx (Active Cooling).....	409, 422
mutex		_ADR (Address).....	200
acquiring.....	579	_ALx (Active List).....	422
Global Lock.....	193	_BBN (Base Bus Number).....	279
release synchronization objects.....	636	_BCT (Battery Charge Time).....	395
Mutex (Declare Synchronization/Mutex Object)		_BIF (Battery Information).....	387
.....	624	_BIX (Battery Information Extended).....	388
Mutex data type, ASL.....	563, 567	_BMA (Battery Measurement Averaging	
Name (Declare Named Object).....	624	Interval).....	392
Name Objects encoding, AML.....	656	_BMD (Battery Maintenance Data).....	395
name terms, ASL.....	538	_BMS (Battery Measurement Sampling Time)	
Named Objects encoding, AML.....	658	.....	392
names, object.....	36	_BST (Battery Status).....	393
Namespace.....	<i>See</i> ACPI Namespace	_BTM (Battery Time).....	394
naming conventions.....	160	_BTP (Battery Trip Point).....	394
NAnd (Integer Bitwise Nand).....	625	_CID (Compatible ID).....	201
nested packages.....	608	_CRS (Current Resource Settings).....	212, 366
network devices, power management.....	673, 689	_CRT (Critical Temperature).....	414, 425
NMIs.....	141, 142	_CST (C States).....	316
noise, active cooling.....	64	_DDN (Device Name.....	201
non-linear address spaces.....	168, 465	_DIS (Disable).....	212
Non-Maskable Interrupt Sources (NMIs).....	141,	_DMA (Direct Memory Access).....	212
142		_EDL (Eject Device List).....	241
non-visible states, device power.....	41	_EJD (Ejection Dependent Device).....	241
Non-Volatile Sleep state, definition.....	40	_EJx (Eject).....	243
Non-Volatile Sleeping memory (NVS).....	495	_FDE (Floppy Disk Enumerate).....	350
NoOp Code (No Operation).....	625	_FDI (Floppy Disk Information).....	351
NOr (Integer Bitwise Nor).....	625	_FIX (Fixed Register Resource Provider).....	215
Not (Integer Bitwise Not).....	625	_GLK (Global Lock).....	281

_HID (hardware ID).....	202, 382	floppy controller.....	350
_HOT (Hot Temperature) .....	425	global scope.....	162
_HPP (Hot Plug Parameters).....	217, 220, 222	initialization.....	276
_INI (Init).....	276	Module Device .....	353
_IRC (In Rush Current).....	292	names, reserved .....	558
_LCK (Lock).....	243	Notify operator .....	178
_MAT (Multiple APIC Table Entry) .....	224	OS-defined .....	193
_NTT (Notification Temperature Threshold)		Power Resource.....	283
.....	426	processor .....	313
_PCL (Power Consumer List).....	399	reserved and predefined .....	185
_PCT (Performance Control).....	327	revision data .....	197
_PPC (Performance Present Capabilities)..	328	Smart Battery .....	382
_PR0 (Power Resources for D0).....	289	SMBus host controller.....	467
_PR1 (Power Resources for D1).....	289	static .....	166
_PR2 (Power Resources for D2).....	290	thermal management .....	421
_PRS (Possible Resource Settings).....	233	unnamed.....	163
_PRT (PCI Routing Table).....	233	ObjectType .....	536
_PRW (Power Resources for Wake)..	178, 290	ObjectType (Get Object Type) .....	626
_PSL (Passive List).....	426	OEM implementation .....	23
_PSR (Power Source).....	398	OEM-supplied control methods.....	296
_PSS (Performance Supported States) .....	318,	off .....	<i>See Mechanical Off; Soft-Off</i>
323, 327, 330		OFF.....	284
_PSV (Passive).....	409, 426	ON .....	285
_PTC (Processor Throttling Control).....	320	One (Constant One Object) .....	627
_PXM (Proximity) .....	211, 236	Ones (Constant Ones Object) .....	627
_RMV (Remove).....	248	opcodes	
_S1D .....	292	Type 1, AML.....	660
_S2D .....	293	Type 2, AML.....	661
_S3D .....	293	Operating System .....	<i>See OS</i>
_S4D .....	294	Operating System-directed Power Management	
_SBS (Smart Battery Subsystem) .....	382	.....	<i>See OSPM</i>
_SEG (Segment) .....	279	Operation Region data type, ASL.....	563, 567
_SRS (Set Resource Settings) .....	239	Operation Region Field Unit data type, ASL	563,
_STA (Status).....	248, 285	567	
_STR (String).....	209	operation regions	
_SUN (Slot User Number) .....	210	IPMI .....	168
_TC1 (Thermal Constant 1) .....	429	IPMI .....	168
_TC2 (Thermal Constant 2) .....	430	SMBus.....	465, 468
_TSP (Thermal Sampling Period).....	431	OperationRegion (Declare Operation Region)	
_TZD (Thermal Zone Devices).....	432	.....	166, 627
_TZP (Thermal Zone Polling)...	342, 359, 372,	OperationRegion term	
375, 432		access types .....	604
_UID (Unique ID).....	210	operator reference, ASL.....	579
ASL encoding .....	558	operator summary by type, ASL.....	576
ASL statements .....	536	operator summary, ASL .....	574
ASL, declaring .....	164	operators, ASL.....	563
control methods.....	165	Or (Integer Bitwise Or).....	629
definition .....	36	organization, document .....	29
device configuration.....	210	original equipment manufacturer.....	<i>See OEM</i>
device identification.....	199	OS	
device insertion and removal .....	239	AML support, required.....	535
device power resource.....	289	boot flags.....	128
device-specific .....	335	compatibility requirements.....	29
dynamic.....	166	defined object names.....	193
EC-SMB-HC.....	463	device power management .....	50
embedded controller interface.....	462	drivers, embedded controller interface .....	443

functional fixed hardware implementation...	66
independent generic hardware.....	67
legacy hardware interaction .....	23
loading.....	497
name object .....	196
policy owner, device power management ..	671
power management .....	22
Query System Address Map.....	483
S4 Sleeping state transition .....	490
transparent events.....	71
OSPM	
caches, flushing.....	491
cooling policy changes .....	409
cooling preferences .....	64
definition .....	36
device insertion and removal .....	239
event handlers .....	72
exclusive controls.....	46
fixed hardware access .....	65
fixed hardware registers .....	89
functions.....	45
general-event register access.....	99
generic hardware model .....	67
Get Power Status.....	51
goals .....	21
hardware model.....	69
implementation requirements.....	28
passive cooling.....	412
performance states.....	56
power management vs. performance.....	283
power state control .....	46
Real Time Clock Alarm (RTC).....	86
resetting system.....	97
Set Power State operation .....	50
SMBus registration .....	467
thermal management .....	63, 407
transitioning to sleeping states .....	487
transitioning working to sleeping states ..	491
transitioning working to soft-off state ..	491
Output Buffer Full (OBF) flag.....	447, 452
output devices	
control methods.....	705
definition .....	696
switching .....	708
types of.....	698
override, power button.....	83
P_BLK.....	96
P_LVL2.....	96
P_LVL3.....	97
P0 performance state, definition.....	43
P1 performance state, definition.....	43
Package (Declare Package Object).....	629
Package data type, ASL.....	563, 567
packages	
definition .....	36
length.....	162
length encoding, AML .....	658
nested .....	608
packet error checking (PEC).....	466
parameters, ASL .....	565
parent bits .....	72, 97
parent objects, ASL statements.....	536
parentheses, AML notation.....	656
Passive (_PSV) object .....	409, 426
passive cooling	
definition .....	64, 408
preferences .....	64, 415
processor clock throttling.....	412
threshold values.....	415
Passive List (_PSL) object.....	426
PC Card controllers, power management .....	673, 690
PC keyboard controllers .....	443
PCCARD .....	672
PCI	
BAR target operations.....	167
bus number .....	279
buses, address space translation .....	108
Device Objects code.....	589
device power management .....	672
interrupt pins .....	233
IRQ routing .....	235
power management .....	672
PCI configuration space.....	65, 72
PCI Interrupt Link device .....	184
PCI Routing Table (_PRT) object .....	233
PCISIG .....	672
PCMCIA.....	672
PEC (packet error checking).....	454, 466
Performance Control (_PCT) object.....	327
Performance Present Capabilities (_PPC) object ..	328
performance states	
definitions.....	43
device .....	56
Performance Supported States (_PSS) object.....	318, 323, 327, 330
performance, energy conservation vs. ....	64, 283
Persistent System Description Table (PSDT) ..	136
phones, answering	
modem example .....	53
waking computer .....	55
PIC method.....	197
pins	
general event model .....	57
GPE .....	99
platform	
implementation.....	25
independence.....	22
Platform Interrupt Source structure .....	144, 145, 146
Platform Management Interrupts (PMIs).....	144
Plug and Play devices	

ACPI control .....	56	Mechanical Off.....	69
IDs.....	183, 199	S4 Non-Volatile Sleep state .....	40
large resource items .....	255	power management	
resource control method.....	210	audio devices.....	674
small resource items.....	249	BIOS.....	22
specifications.....	31	buses.....	672
PM timer		COM port devices .....	675
bits.....	95	cooling, relationship to.....	64
function .....	72	definition .....	36
idle time, determining .....	56	desktop PCs.....	48
operations .....	80	device .....	49, 671, 673
register address.....	78	device objects.....	285
register blocks .....	79	display devices .....	676
PM1 Control registers		display standards .....	672
addresses .....	78	goals .....	22
bits.....	94	input devices.....	685
blocks .....	79	lazy I/O operations .....	22
grouping .....	77, 93	legacy .....	71
PM1 Enable registers.....	92	mobile PCs .....	48
PM1 Event registers		modem devices.....	686
addresses .....	78	modem example .....	53
blocks .....	79	multiprocessor PCs.....	48
grouping .....	77, 89	network devices.....	689
PM1 Status registers.....	89	PC Card controllers .....	690
PM2 Control registers		PCI .....	672
addresses .....	78	PCMCIA .....	672
bits.....	95	performance states.....	56
blocks .....	79	performance vs. energy conservation...64, 283	
PM2 Controller register grouping.....	77	Plug and Play devices.....	56
PMIs .....	144	preferred system types.....	127
Pn performance state, definition.....	43	processor .....	56
PNPBIOS .....	45	servers .....	48
Polarity flags.....	141	setting device power states.....	51
policy owner .....	671	standards.....	49
polling, thermal .....	410, 411	storage devices .....	693
port descriptors, I/O.....	252	power management (PM) timer	
portability .....	<i>See independence, OS</i>	bits.....	95
Possible Resource Settings (_PRS) object.....	233	function .....	72
POST Device control methods .....	702	idle time, determining .....	56
power button		operations .....	80
ASL code example .....	82	register address.....	78
control methods.....	82, 343	register blocks .....	79
definition .....	36	Power Resource data type, ASL.....	563, 567
device ID.....	183	power resources	
dual-button model .....	81	battery management .....	379
fixed hardware.....	82	child objects .....	284
functions.....	48	definition .....	36
object notification values .....	181	device objects.....	289
override .....	83, 85	devices, turning off.....	51
single-button model.....	81	Differentiated Definition Block.....	50
Power Consumer List (_PCL) object.....	399	isolation logic .....	54
power consumption		objects .....	283
device and processor performance states .....	43	shared .....	55
device power states .....	42	wake system object .....	290
global power states.....	40	Power Source (_PSR) object .....	398
power loss		power sources	

AC adapter .....	398	query events.....	98
definition .....	36	Query System Address Map function.....	483
object notification values .....	180, 182	query value, definition.....	68
power states		quotes	
control methods.....	287	AML notation.....	655
controlled by OSPM.....	46	ASL notation .....	537
device .....	41	QWord IO Resource Descriptor Macro.....	631
global.....	39	QWord Memory Resource Descriptor Macro.....	632
non-symmetric processor .....	308	QWORD resource descriptor format .....	260, 632,
objects .....	287	634, 635	
processor .....	42, 307	QWord Space Resource Descriptor Macro....	634
sleeping .....	42	Read Embedded Controller (RD_EC) .....	448
transitioning .....	69	Read/Write Block (SMBBlock) protocol .....	474
user-visible.....	47	Read/Write Byte (SMBByte) protocol .....	473
PowerResource (Declare Power Resource)....	630	Read/Write Quick (SMBQuick) protocol.....	472
predefined ACPI names.....	185	Read/Write Word (SMBWord) protocol .....	473
preferences, user		Real Time Clock Alarm (RTC) .....	86
performance vs. energy conservation...64,	415	reclaim memory.....	495
power button .....	48	RefOf (Create Object Reference) .....	635
preferred PM profile system.....	127	Region (_REG) control method.....	277
Prepare to Sleep (_PTS) control method .....	297	register bits, notation .....	69
Process Call (SMBProcessCall) protocol .....	475	register blocks.....	76
processor.....	<i>See</i> CPU	register definitions, hardware .....	66
Processor (Declare Processor).....	630	Register Generic Register Descriptor Macro)	635
processor and device performance states.....	43	register groupings	
processor control block.....	80	definition .....	37, 76
processor control registers		list of .....	77
addresses .....	78	registers	
bits.....	96	BARs (Base Address Registers).....	167
Processor data type, ASL .....	563, 567	control .....	75
processor device notification values.....	181, 182	EC-SMB-HC.....	452
Processor devices .....	184	embedded controller interface.....	446
Processor Local APIC .....	139, 142, 159	enable .....	57
Processor Local SAPIC .....	143	fixed feature .....	35
processor LVL2 register .....	96, 308	fixed hardware.....	89
processor LVL3 register .....	97, 308	general-purpose event .....	35
processor objects .....	313	reset .....	97
processor register block.....	96	SMB-HC .....	460
Processor Throttling Control (_PTC) object..	320	status.....	57
programming models		status/enable .....	75
events .....	172	virtual .....	170, 466, 470
feature summary.....	74	related device interference.....	73
fixed .....	65	Release (Release a Mutex Synchronization	
generic.....	66	Object).....	636
protocol register (SMB_PRTCL) .....	454	Release terms .....	624
protocols		Remaining Battery Percentage .....	59, 394
BARs (Base Address Registers).....	167	removal objects.....	239
CMOS .....	167	removal, batteries.....	385
SMBus.....	456, 465, 472	Remove (_RMV) object .....	248
Proximity (_PXM) object .....	211, 236	requirements, implementation	
PSDT .....	136	OS .....	29
pseudocode language.....	<i>See</i> AML	OSPM.....	28
pulsed interrupts .....	450	reserved ACPI names .....	185
PWRBTN_EN.....	93	reserved bits	
PWRBTN_STS .....	90	definition .....	37
Query Embedded Controller (QR_EC) .....	449	hardware.....	72

<i>PM1 Control registers</i> .....	94	definition .....	42
<i>PM1 Enable registers</i> .....	93	implementation.....	488
<i>PM1 Status register</i> .....	90, 91	transitioning.....	298
software requirements .....	109	waking using RTC.....	86
reserved object names.....	558	S2 Sleeping state	
reserved SMBus protocol values .....	465	_S2D object.....	293
Reset (Reset an Event Synchronization Object)		behavior during .....	300
.....	636	definition .....	42
reset register .....	97	implementation.....	488
resource data types		transitioning.....	298
Address Space Resource Descriptors.....	259	waking using RTC.....	86
control methods.....	249	S3 Sleeping state	
DMA .....	250	_S3D object.....	293
End Dependent Functions .....	252	behavior during .....	301
end tag .....	254	definition .....	42
IRQ.....	250	implementation.....	489
large .....	254	transitioning.....	298
large vendor defined.....	257	waking using RTC.....	86
memory range descriptors .....	256	S4 Sleeping state	
small.....	249	_S4D object.....	294
small vendor defined .....	254	behavior during .....	301
Start Dependent Functions .....	251	definition .....	40, 42
vendor defined.....	257	implementation.....	489
resources		low-level battery.....	61
allocation.....	239	waking using RTC.....	86
control method .....	210	S5 Soft-Off	
interdependencies .....	251	behavior during .....	302, 490
resources, power .....	<i>See</i> power resources	definition .....	39, 42
ResourceTemplate Resource To Buffer		properties.....	40
Conversion Macro) .....	637	transitioning to .....	491
restoring system context .....	40, 489	SAPIC	
results, storing .....	565	definition .....	37
Return (Return from Method Execution) .....	637	I/O .....	35, 143
Revision (Constant Revision Object) .....	637	<i>local</i> .....	36
revision data object.....	197	NMI.....	141
RISC processors .....	259	Processor Local .....	143
RISC systems .....	48	support.....	136
ROM control methods .....	701	SATA	
Root System Description Pointer .....	<i>See</i> RSDP	controller device.....	349
Root System Description Table.....	<i>See</i> RSDT	saving system context	
RSDP		during emergency shutdown .....	62
definition .....	37	S4 Non-Volatile Sleep state .....	40, 489
location.....	111	SBST .....	149
table structure.....	112	SCI	
RSDT		battery status information.....	51
definition .....	37	definition .....	37
location.....	106	embedded controller events.....	451
table fields .....	116	enable bits .....	52
RTC (Real Time Clock Alarm) .....	86	interrupt handlers .....	71, 88
RTC/CMOS protocols .....	167	SCI_EN.....	88, 89, 94
RTC_EN.....	93	Scope (Open Named Scope).....	637
RTC_STS .....	91	SCSI, power management .....	672
S0 State (Working).....	300	Secondary System Description Table ..	<i>See</i> SSDT
S1 Sleeping state		Segment (_SEG) object .....	279
_S1D object.....	292	Send/Receive Byte (SMBSendReceive) protocol	
behavior during .....	300	.....	472

separators, ASL .....	536	user settings .....	48
Serialized methods.....	606, 622	waking using RTC.....	86
server machines, power management .....	48	Slot User Number (_SUN) object.....	210
Set Cooling Policy (SCP) control method .....	427	SLP_EN.....	94, 487
Set POST Device (_SPD).....	702	SLP_EN field.....	85
Set Power State.....	50	SLP_TYPx.....	94, 487
Set Resource Settings (_SRS) object.....	239	SLP_TYPx field .....	76, 85
Set the Brightness Level (_BCM) .....	704	SLPBTN_EN.....	93
Set Timing Mode (_STM) control method.....	348	SLPBTN_STS .....	90
settings, user		small resource data type .....	249
performance vs. energy conservation...64, 415		Smart Batteries	
power button .....	48	(_SBS object.....	382
shareable interrupts.....	88	definition .....	37
shared interface, embedded controller ....444, 446		device ID .....	184
ShiftLeft (Integer Shift Left) .....	638	multiple battery subsystem.....	384
ShiftRight (Integer Shift Right).....	639	objects .....	382
Short Vendor-Defined Resource Descriptor		single battery subsystem.....	383
macro.....	649	SMBus data buffers.....	471
shutdown, emergency .....	61, 414	SMBus devices.....	468
shutting down .....	<i>See Mechanical Off; Soft-Off</i>	specifications.....	31
Signal (Signal a Synchronization Event).....	639	status notification .....	381
signatures		subsystem .....	58, 379
collisions, avoiding .....	114, 115	supported.....	51
interpreting.....	106, 116	table.....	37
values, storing .....	109	table formats.....	149
Simple Boot Flag Specification, Microsoft ....	115	Smart Battery Charger	
single quotes		functions.....	381
AML notation.....	655	status notification .....	381
ASL notation.....	537	Smart Battery Selector.....	382
single-button model.....	81	Smart Battery System Manager	
SizeOf (Get Data Object Size).....	639	functions.....	380
slave addresses, SMBus.....	380, 465	status notification .....	382
Sleep (Milliseconds Sleep) .....	639	SMB-HC.....	380, 384, 460
sleep button		SMBus	
ASL code example .....	84	address register (SMB_ADDR).....	455
control methods.....	84, 343	address space.....	465
definition .....	37	alarm address register (SMB_ALARM_ADDR)	
device ID.....	184	.....	456
fixed hardware.....	84	alarm data register (SMB_ALARM_DATA).....	456
object notification values .....	181	block count register (SMB_BCNT) .....	455
support.....	83	Block Write-Read Block Process Call	
Sleeping states		(SMBBlockProcessCall) protocol.....	475
behavior during .....	300	command register (SMB_CMD).....	455
button logic .....	84	commands, restricted.....	462
control methods.....	296	data buffers.....	471
definitions .....	39, 42	data register array (SMB_DATA).....	455
entering .....	487	definition .....	37
logic controlling .....	85	device access, embedded controller interface	
non-volatile .....	40	.....	462
objects .....	293	device enumeration, enabling.....	467
packages, system state.....	298	device ID .....	184
power consumption .....	40	embedded controller interface .....	452
power loss .....	40	encoding, bit.....	466
properties.....	40	fields, declaring .....	469
transitioning .....	47, 204, 206, 209, 298, 700	generic hardware addresses .....	72
transitioning to .....	486		



host controller notification header (OS_SMB_EVT) .....	450	Status (_STA) object .....	248
host controller objects, declaring .....	467	status bits	
interface.....	37	corresponding enable bits.....	99
operation regions.....	465, 468	functions.....	97
PEC (packet error checking) .....	466	symbol .....	68
Process Call (SMBProcessCall) protocol...475		status codes, SMBus .....	466
protocol register (SMB_PRTCL).....	454	status notification, Smart Battery.....	381
protocols.....	456, 465, 472	status register .....	57
Read/Write Block (SMBBlock) protocol...474		status register (SMB_STS) .....	453
Read/Write Byte (SMBByte) protocol.....473		status, battery .....	51
Read/Write Quick (SMBQuick).....	472	status/enable registers .....	75
Read/Write Word (SMBWord) protocol...473		sticky status bit, definition.....	68
Send/Receive Byte (SMBSendReceive) protocol.....	472	storage devices, power management .....	673, 693
slave addresses .....	380, 465	Store (Store an Object) .....	641
specifications.....	31	storing results, ASL operators .....	565
status codes .....	466	Streamlined Advanced Programmable Interrupt Controller .....	<i>See</i> SAPIC
status register (SMB_STS).....	453	String (_STR) object.....	209
transactions .....	466	String data type, ASL .....	563, 567
virtual registers.....	466	strings, ASL.....	536, 559
SMBus devices .....	184	Subtract (Integer Subtract).....	641
SMI		supplemental documentation .....	31
definition .....	37	surprise-style removal.....	239, 248
embedded controller firmware .....	450	Switch (Select Code To Execute Based On Expression).....	642
event flags (SMI_EVT).....	447	switching, output devices.....	708
interrupt events.....	71, 88	Sx states .....	<i>See</i> Sleeping states
SMM firmware .....	66	symbols, logic diagrams .....	68
Soft-Off		syntax	
behavior during .....	302, 490	OperationRegion .....	169, 468
definition .....	39, 42	Power Resource statements .....	283
properties.....	40	syntax, ASL .....	535
transitioning crashed systems to.....	82	system context	
transitioning to .....	70, 491	definition .....	37
SOHO servers.....	127	during emergency shutdown .....	62
sources, power .....	<i>See</i> power sources	restoring .....	40
SSDT .....	37, 136	S4 Sleeping state .....	489
Stall (Stall for a Short Time) .....	640	sleep states lost in.....	42
standards		System Control Interrupt .....	<i>See</i> SCI
device power states .....	50	system description tables .....	<i>See</i> tables
power management .....	49	system events, general model .....	57
Start Dependent functions resource descriptor format .....	251	system indicators .....	335
StartDependentFn Start Dependent Function Resource Descriptor Macro) .....	640	System Management Bus .....	<i>See</i> SMBus
StartDependentFnNoPri Start Dependent Function Resource Descriptor Macro) .....	641	System Management Interrupt.....	<i>See</i> SMI
statements		System Management Mode .....	<i>See</i> SMM
Elseif .....	595	system memory space .....	72
If 595		system states, global .....	<i>See</i> global system states
Power Resource.....	283	System Status (_SST) control method .....	335
Processor.....	313	System Wake (_WAK) control method.....	303
statements, ASL.....	536	tables	
states .....	<i>See</i> power states	address format .....	110
static objects .....	166	compatibility .....	110
Status (_STA) .....	285	DSDT .....	135
		embedded controller boot resources.....	149
		encoding format .....	109
		FACS.....	128

FADT .....	118	thirty-two bit fixed location memory range	
headers .....	105, 113	resource descriptor format.....	259
MADT .....	137, 157	thirty-two bit memory range resource descriptor	
overview.....	105	format .....	257
RSDP.....	112	throttling .....	309, 320
RSDT .....	116	THT_EN .....	96
SBST (Smart Battery Description).....	149	Timer (Get 64-Bit Timer Value).....	644
signatures .....	114, 115	timers	
SSDT.....	136	global standby .....	72
XSDT .....	117	idle.....	72
Temperature (_TMP) control method.....	409, 430	power management (PM).....	72, 80
temperature changes, detecting.....	410	TMR- field.....	81
temperature management.....	<i>See thermal management</i>	TMR_EN .....	93
Term Objects encoding, AML.....	658	TMR_STS.....	90
terminology		TMR_VAL .....	95
design guides.....	25, 27	ToBCD (Convert Integer to BCD) .....	645
device power states .....	41	ToBuffer (Convert Data to Buffer).....	645
general.....	33	ToDecimalString (Convert Data to Decimal	
global system states.....	39	String).....	645
performance states.....	43	ToHexString (Convert Data to Hexadecimal	
processor power states.....	42	String).....	646
sleeping states .....	42	ToInteger (Convert Data to Integer) .....	646
terms		token ring adapters.....	<i>See network devices</i>
AML.....	655	top of memory .....	496
ASL notation .....	536	ToString (Convert Buffer To String) .....	646
Thermal Constant 1 (_TC1) object.....	429	transactions, SMBus	
Thermal Constant 2 (_TC2) object.....	430	data buffers.....	471
thermal management		status codes.....	466
control methods.....	421	transitioning	
energy conservation, optimizing .....	64	crashed systems .....	81, 82
notification of temperature changes .....	411	device power states .....	671
objects .....	421	Legacy mode to ACPI.....	88
OSPM controlled.....	407	power states.....	47, 69, 204, 206, 209, 700
overview.....	63	working to sleeping states .....	491
performance, optimizing .....	64	working to soft-off states.....	491
polling .....	410, 411	transparent events .....	71
temperature changes, detecting .....	410	transparent switching, device power states .....	42
threshold settings, dynamically changing ..	409	trap monitors.....	72
trip points .....	411	Trigger Mode flags .....	141
Thermal Sampling Period (_TSP) object.....	431	trip points, thermal.....	411
thermal states, definition .....	38	turning off.....	<i>See Mechanical Off; Soft-Off; transitioning</i>
Thermal Zone data type, ASL .....	563, 567	TVs .....	698
Thermal Zone Devices (_TZD) object .....	432	twenty-four bit memory range resource	
Thermal Zone Polling (_TZP) object .....	342, 359, 372, 375, 432	descriptor format .....	256
thermal zones		Type 1 Opcodes, AML encoding.....	660
basic configuration.....	434, 436	Type 2 Opcodes, AML encoding.....	661
examples .....	434, 436	UARTs, power management .....	675
mobile PC example .....	63	Unicode (String To Unicode Conversion Macro)	
multiple .....	65	.....	648
multiple-speed fan example .....	435	Uninitialized data type, ASL .....	563, 567
object notification values .....	180	Unique ID (_UID) object.....	210
object requirements .....	433	Unload (Unload Definition Block) .....	648
ThermalZone (Declare Thermal Zone).....	644	unnamed objects .....	163
		unrelated device interference .....	73
		upper case, ASL names .....	558

USB, power management .....	672	modem devices .....	688
user preferences		modem example .....	53, 55
performance vs. energy conservation...64, 415		network devices.....	690
power button .....	48	OS operations .....	51
user-visible power states.....	47	PC Card controllers .....	692
UUID (Convert String to UUID Macro) .....	647	Real Time Clock Alarm (RTC).....	86
value-added hardware		resetting lost enable bits .....	99
enabling OSPM .....	67	storage devices .....	694
registers .....	97	warm insertion and removal .....	240, 243
Variable List .....	536	warnings, battery .....	59
VCR-style ejection mechanism .....	239	WBINVD.....	312, 492
vendor defined large resource descriptor format		web sites	
.....	257	Intel Architecture .....	31
vendor defined resource data types .....	257	Microsoft.....	31
vendor defined small resource descriptor format		PCISIG .....	672
.....	254	PCMCIA .....	672
VendorLong Long Vendor-Defined Descriptor		Smart Battery System.....	31
macro) .....	648	SMBus specification .....	465
VendorShort Vendor Defined Resource		USB-IF .....	672
Descriptor Macro).....	649	While (Conditional Loop).....	649
VESA specifications.....	672	WORD resource descriptor format .....	265
VGA .....	698, 702	WordBusNumber (Word Bus Number Resource	
video controllers, power management.....	676	Descriptor Macro) .....	650
Video Electronics Standards Associations		WordIO (Word IO Resource Descriptor Macro)	
(VESA) .....	672	.....	651
video extensions, requirements for .....	695	WordSpace (Word Space Resource Descriptor	
Video POST Options (_VPO) .....	703	Macro).....	652
virtual data objects.....	587	Working state	
virtual registers .....	170, 466, 470	behavior during .....	486
visible states		definition .....	39
global system .....	39	properties.....	40
power.....	47	transitioning to .....	69
Wait (Wait for a Synchronization Event) .....	649	transitioning to Sleeping state .....	491
WAK_STS (Wake Status).....	86, 91	transitioning to Soft-Off .....	491
wake frame events .....	690	workstations.....	127
waking		Write Embedded Controller (WR_EC).....	448
_BFS (Back From Sleep) control method ..296		write-only bits	
_WAK control method .....	303	control .....	68
audio devices.....	675	definition .....	73
COM ports .....	676	XOr (Integer Bitwise Xor).....	654
device power resource object (_PRW).....	290	XSDT	
devices.....	674	definition .....	38
disabling system-waking devices .....	291	loading Definition Block.....	617
display devices .....	683	location.....	106
initialization .....	492	table fields .....	117
input devices .....	686	Zero (Constant Zero Object).....	654
latency time .....	47, 204, 206, 209, 700	Zero, One, Ones data type, ASL.....	563, 567
lid switch .....	101	zones, thermal.....	<i>See</i> thermal zones
logic controlling .....	85		